

US00D495361S1

(12) **United States Design Patent**  
**Cowie et al.**

(10) **Patent No.:** **US D495,361 S**  
(45) **Date of Patent:** **\*\* Aug. 31, 2004**

(54) **COLOR COORDINATOR**

(75) Inventors: **Brian J. Cowie**, Madison, WI (US);  
**John M. Gregory**, Sun Prairie, WI (US)

(73) Assignee: **CTI Paper USA, Inc.**, Sun Prairie, WI (US)

(\*\*) Term: **14 Years**

(21) Appl. No.: **29/177,836**

(22) Filed: **Mar. 17, 2003**

(51) **LOC (7) Cl.** ..... **19-04**

(52) **U.S. Cl.** ..... **D19/27**

(58) **Field of Search** ..... D19/26, 27, 28,  
D19/29, 30, 31, 32, 33, 64; 40/492, 497;  
206/81, 472; 211/168; 281/15.1, 16, 21.1,  
29, 38, 40; 434/81, 98, 104

(56) **References Cited**

**U.S. PATENT DOCUMENTS**

895,227 A	*	8/1908	Bacon	.....	434/98
2,203,167 A		6/1940	Lodwick		
2,317,673 A		4/1943	Craig		
2,916,833 A		12/1959	Di Salvo		
3,000,113 A		9/1961	Olson		
3,028,178 A	*	4/1962	Pietrangeli et al.	.....	281/16
3,120,065 A		2/1964	Gaudier-Pons		
3,145,481 A	*	8/1964	Aldershof	.....	434/348
D212,922 S	*	12/1968	Klosterman	.....	D19/27
3,434,227 A		3/1969	Brown, Jr.		
3,631,975 A	*	1/1972	Leibowitz	.....	206/450

4,034,485 A	*	7/1977	Milutinovich	.....	434/155
4,104,809 A		8/1978	Day et al.		
4,934,740 A	*	6/1990	Drake	.....	462/17
5,836,614 A	*	11/1998	Park	.....	281/16
6,139,325 A		10/2000	Tracy et al.		
6,234,801 B1		5/2001	Hsu		
6,549,213 B1	*	4/2003	Sadka	.....	345/593

\* cited by examiner

*Primary Examiner*—James Gandy

*Assistant Examiner*—Elizabeth Albert

(74) *Attorney, Agent, or Firm*—Godfrey & Kahn, S.C.

(57) **CLAIM**

The ornamental design for a color coordinator, as shown and described.

**DESCRIPTION**

FIG. 1 is a perspective view of a color coordinator showing the new design;

FIG. 2 is a right side view thereof, the left side being a mirror image;

FIG. 3 is another right side view thereof;

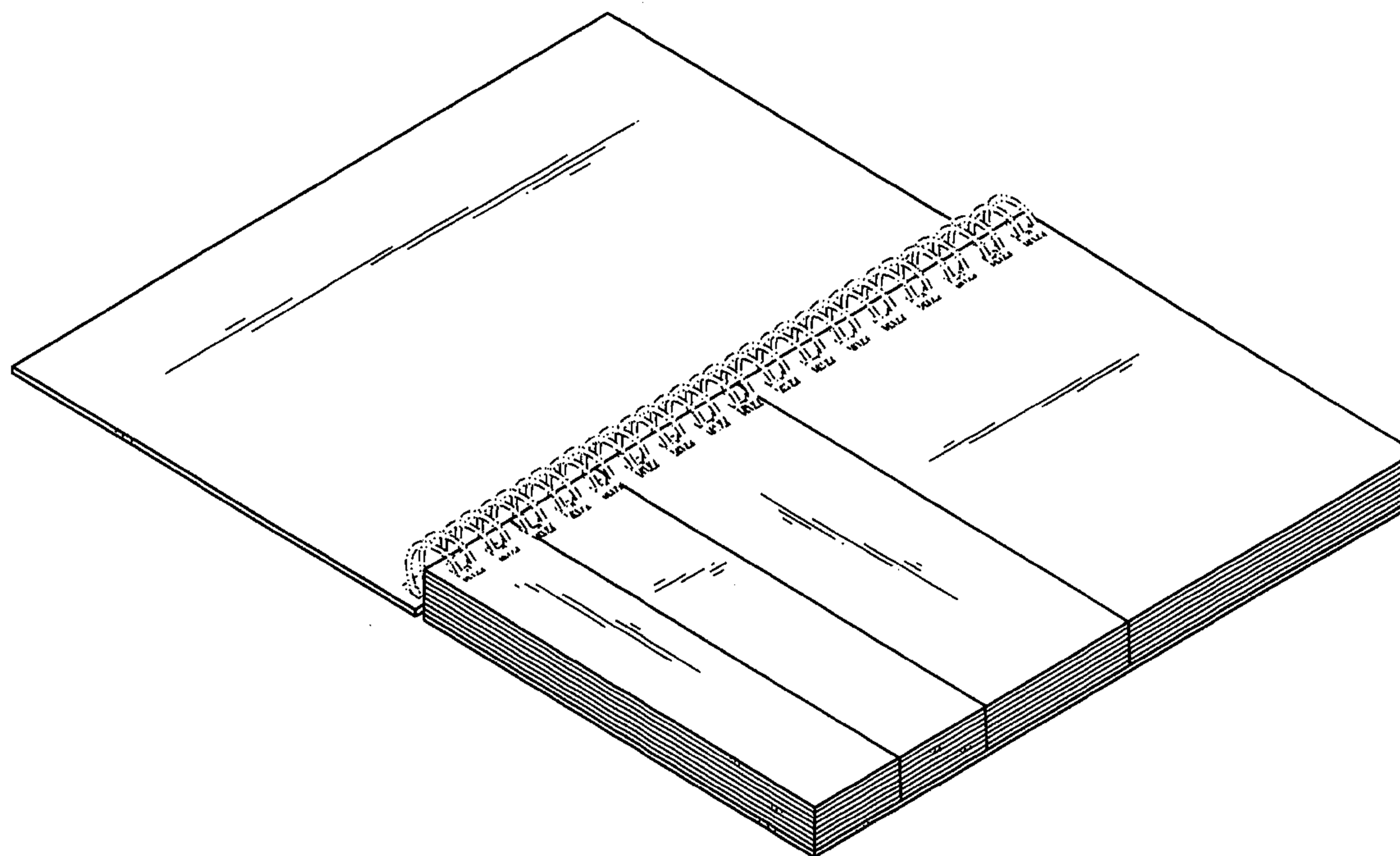
FIG. 4 is another perspective view thereof; and,

FIG. 5 is a top plan view thereof.

The arrangement of the surface shading is intended to represent different colors but no specific colors are being claimed as part of the design.

The broken lines showing environment in the drawings are for illustrative purposes only and form no part of the claimed design.

**1 Claim, 4 Drawing Sheets**



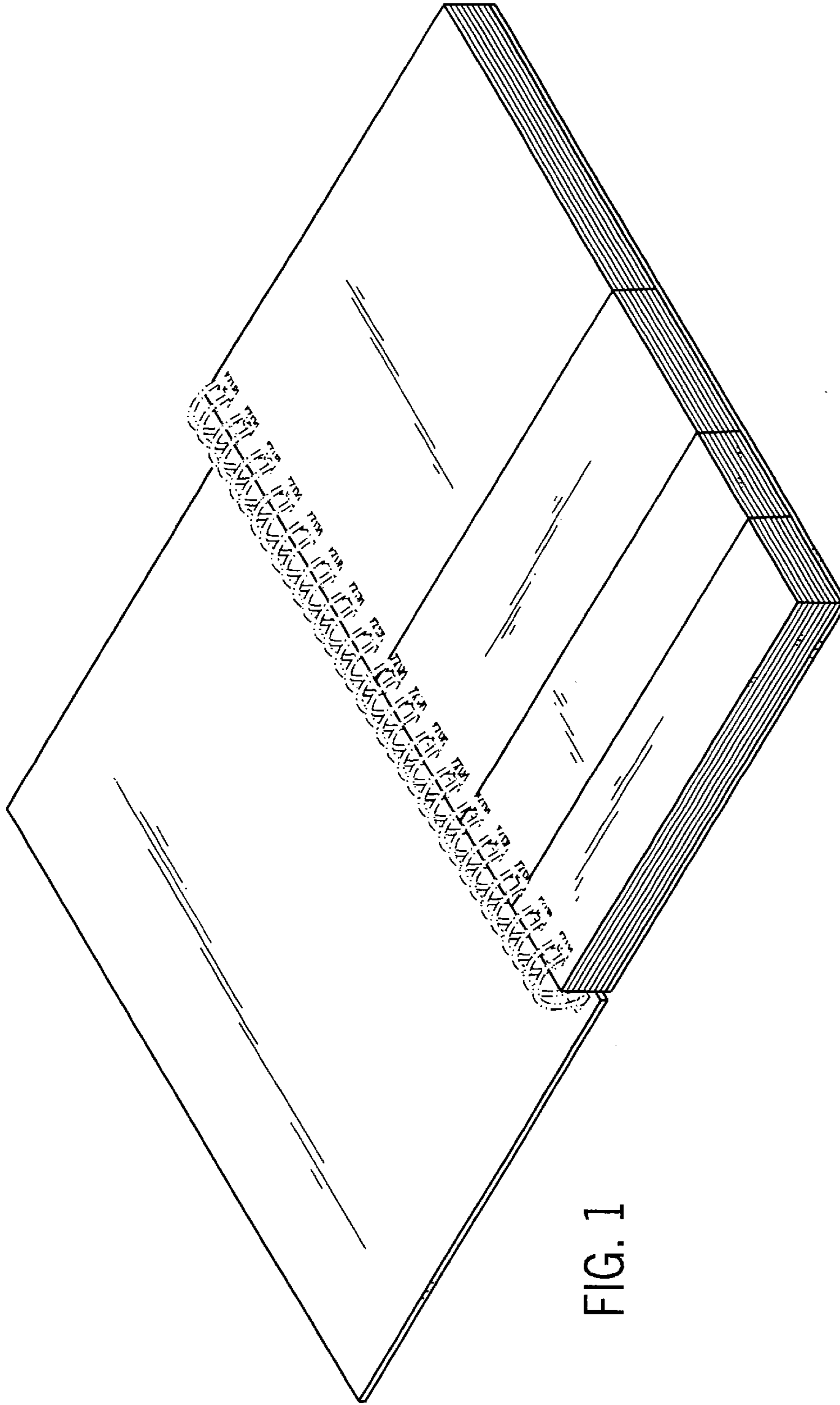


FIG. 1



FIG. 2

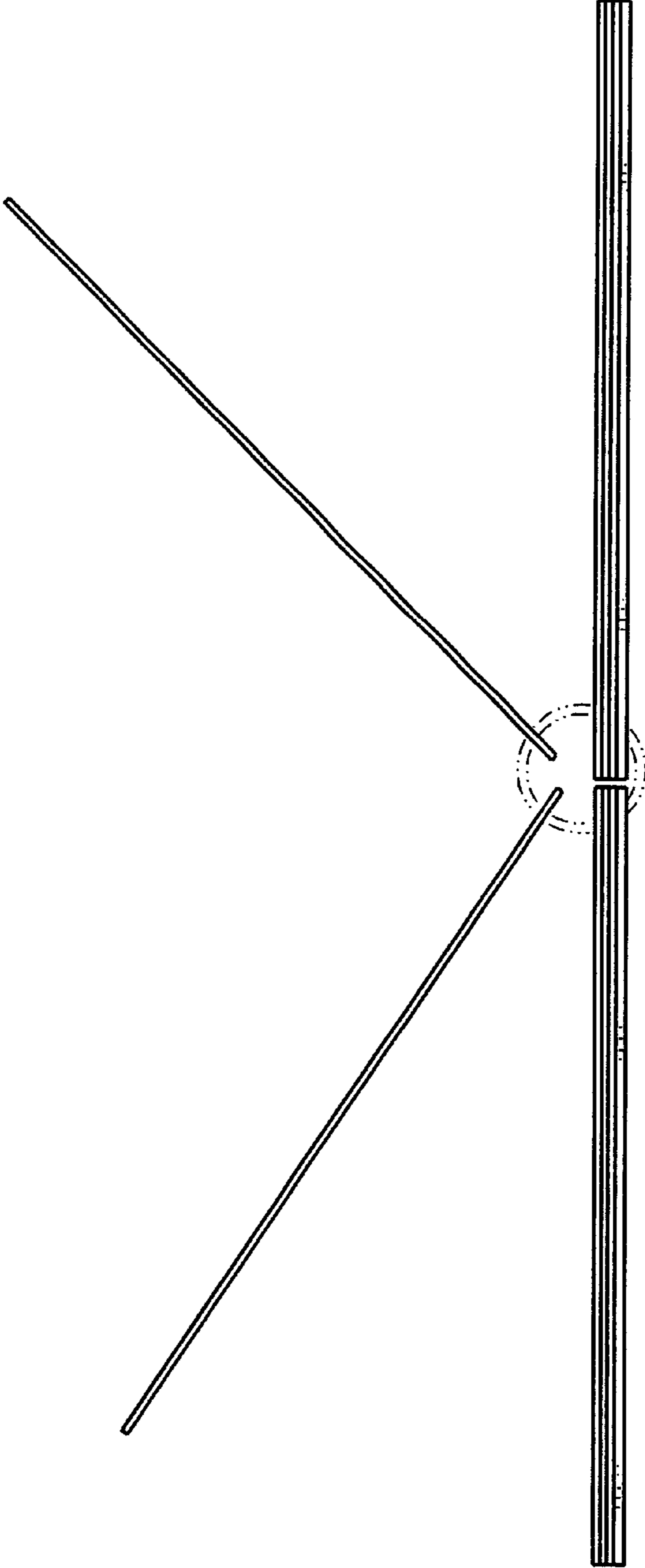


FIG. 3

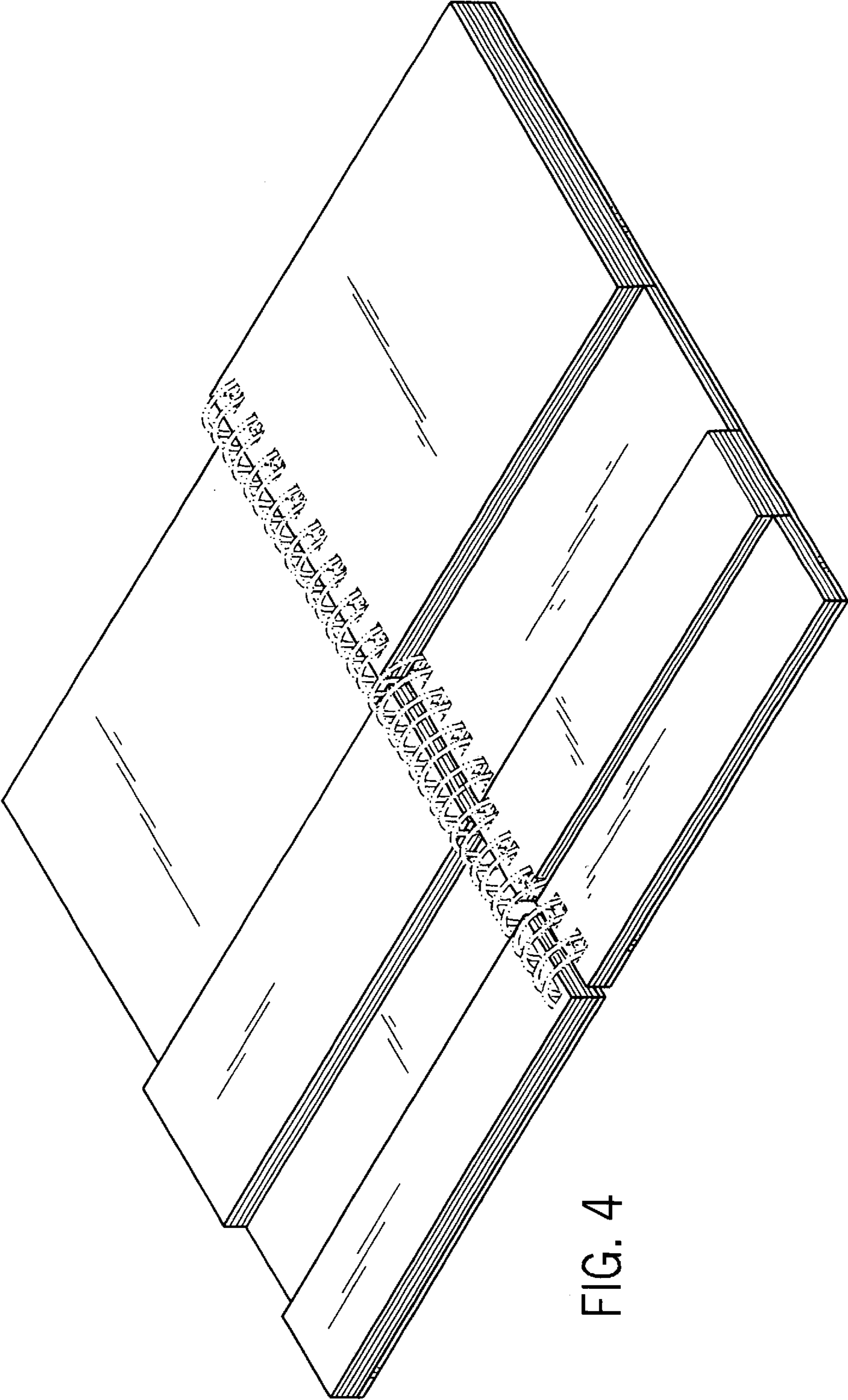


FIG. 4

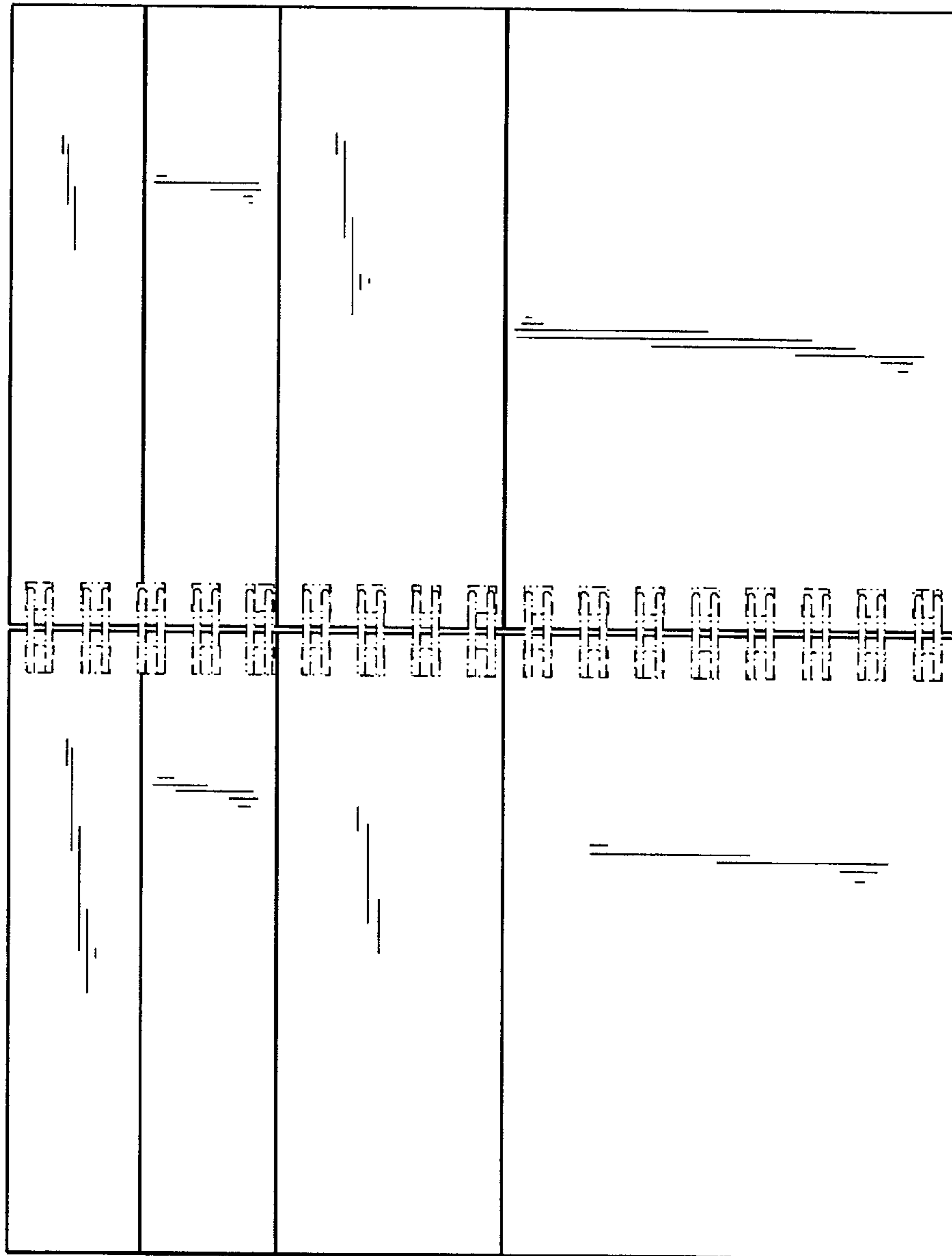


FIG. 5