

US00D495360S1

(12) **United States Design Patent** (10) **Patent No.:** **US D495,360 S**
Keagy (45) **Date of Patent:** **** Aug. 31, 2004**

(54) **SCRAP BOOK COVER**

(76) Inventor: **Jacqueline Keagy**, 47 Smith Pl., Apt. #2, Columbus, OH (US) 43201

(**) Term: **14 Years**

(21) Appl. No.: **29/194,718**

(22) Filed: **Nov. 29, 2003**

(51) **LOC (7) Cl.** **19-04**

(52) **U.S. Cl.** **D19/26**

(58) **Field of Search** D8/323, 324, 325, D8/327, 328, 329; D19/26, 27, 28, 29, 30, 31, 32, 33; 16/221; 281/15.1, 21.1, 29, 30, 34, 38, 40, 41; 402/1, 3, 4, 22, 23, 24, 70, 73, 74, 79, 500, 501; 40/530, 536, 537

(56) **References Cited**

U.S. PATENT DOCUMENTS

1,037,024 A	*	8/1912	Krumming	281/29
D75,537 S	*	6/1928	Winters et al.	D8/329
D115,062 S	*	5/1939	Brehm	D19/26
D121,557 S	*	7/1940	Borchers	D8/327
2,221,364 A	*	11/1940	Walrafen	281/29
D140,763 S	*	4/1945	Borchers et al.	D8/327
D152,523 S	*	2/1949	Duncan et al.	D9/326
D159,614 S	*	8/1950	Hersh	D19/26

D164,441 S	*	9/1951	Orzechowski et al.	D19/26
D184,732 S	*	3/1959	Heyer et al.	D8/329
D190,625 S	*	6/1961	Cox	D19/28

* cited by examiner

Primary Examiner—James Gandy
Assistant Examiner—Elizabeth Albert
(74) *Attorney, Agent, or Firm*—Francis T. Kremblas, Jr.; Kremblas, Foster, Phillips & Pollick

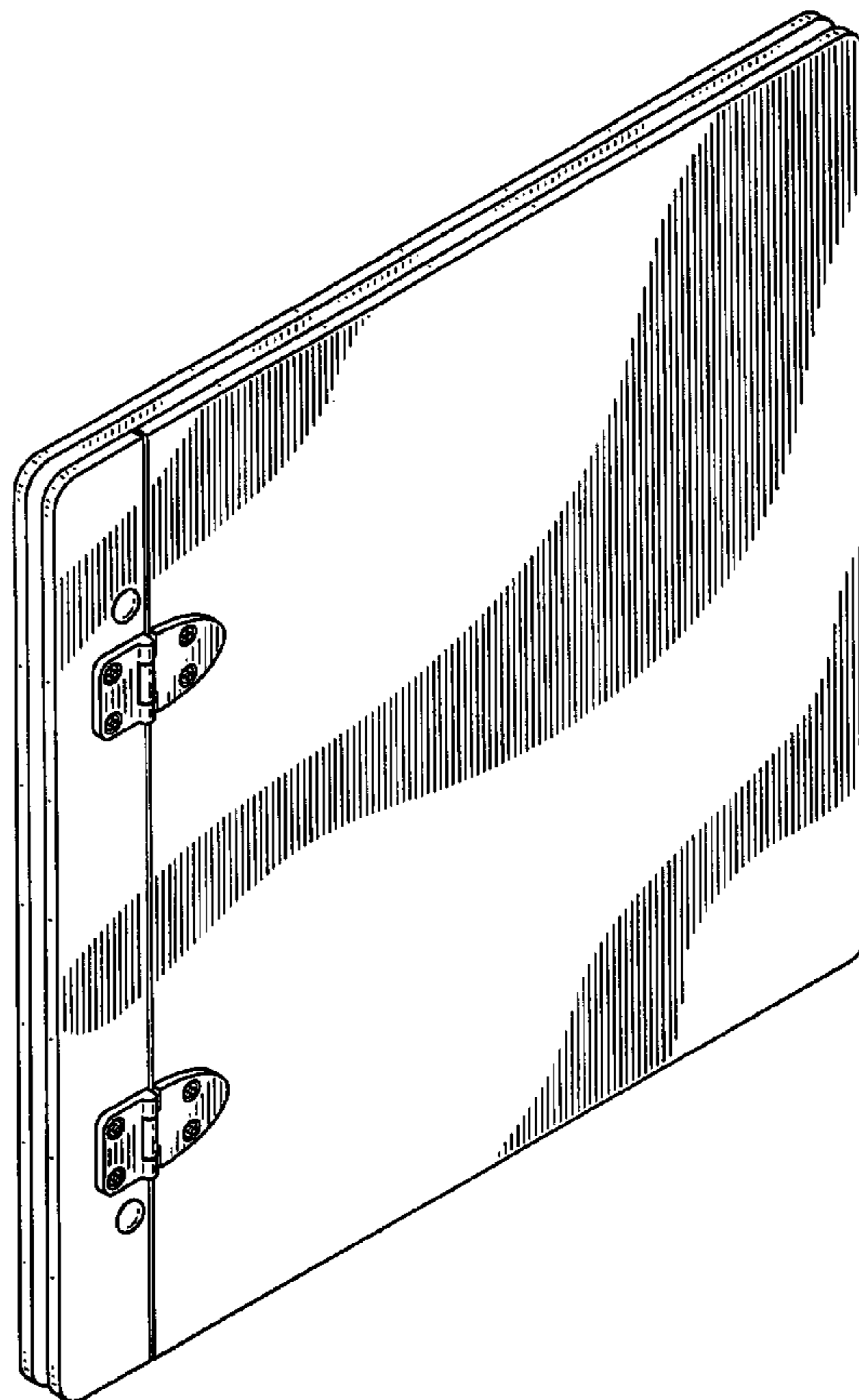
(57) **CLAIM**

The ornamental design for a scrap book cover, as shown and described.

DESCRIPTION

FIG. 1 is a perspective view of a scrap book cover showing my new design;
FIG. 2 is a top plan view thereof.
FIG. 3 is a front elevational view thereof.
FIG. 4 is a right side elevational view thereof relative to the view shown in FIG. 3.
FIG. 5 is a rear elevational view thereof.
FIG. 6 is a right side elevational view thereof relative to the view shown in FIG. 5; and,
FIG. 7 is a bottom view thereof relative to the view shown in FIG. 5.

1 Claim, 3 Drawing Sheets



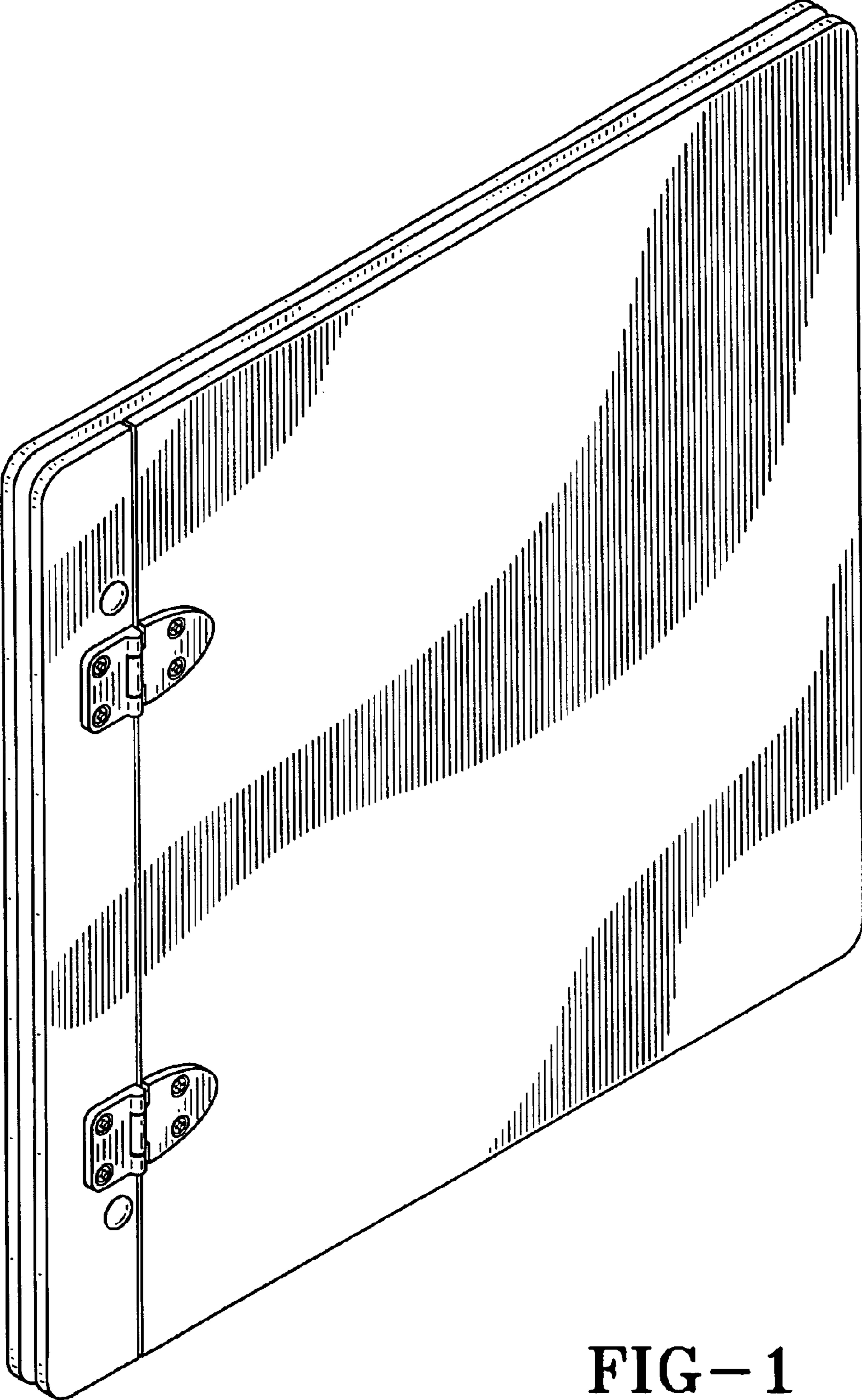


FIG-1

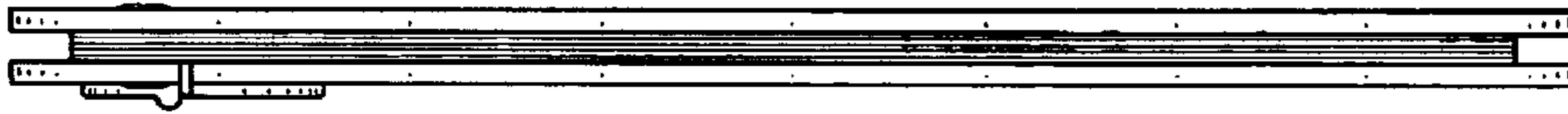


FIG-2

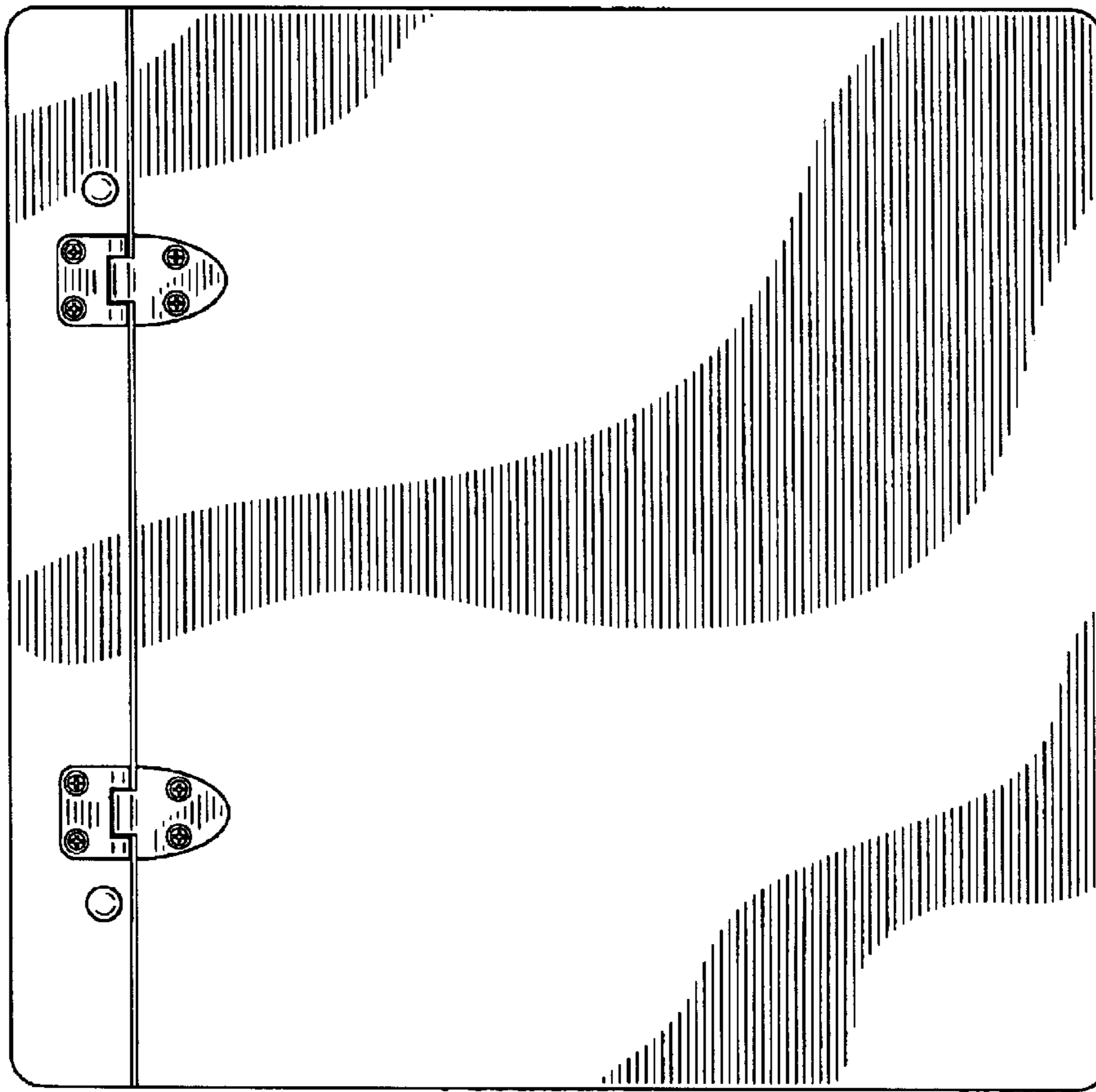


FIG-3



FIG-4

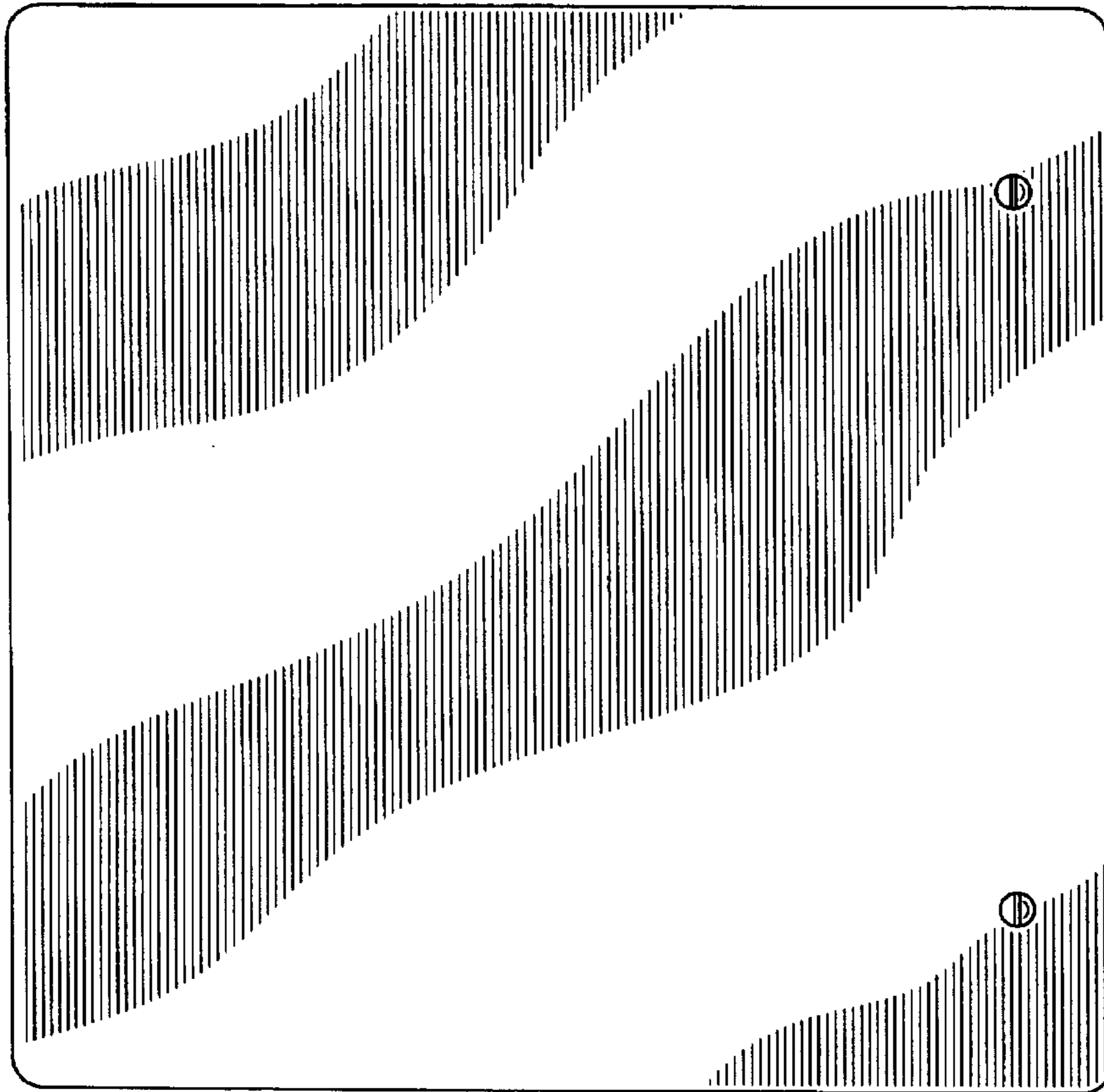


FIG-5

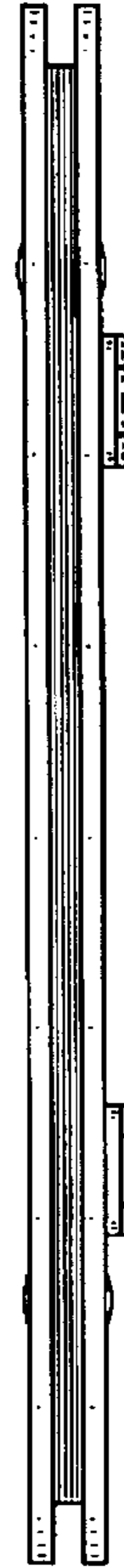


FIG-6

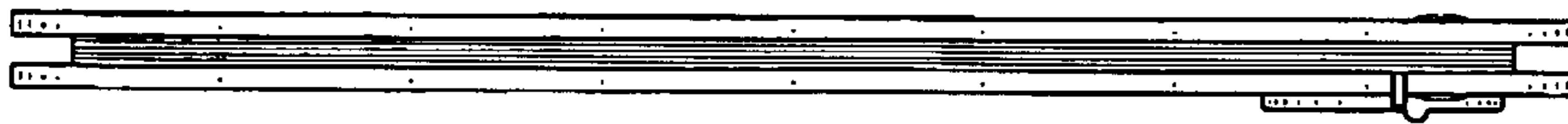


FIG-7