



US00D495351S1

(12) **United States Design Patent**  
**Yi**

(10) **Patent No.:** **US D495,351 S**

(45) **Date of Patent:** **\*\* Aug. 31, 2004**

(54) **DIGITAL CAMERA**

(75) **Inventor:** **Hee Myoung Yi, Seoul (KR)**

(73) **Assignee:** **Samsung Techwin Co., Ltd.,  
Changwon (KR)**

(\*\*) **Term:** **14 Years**

(21) **Appl. No.:** **29/193,844**

(22) **Filed:** **Nov. 13, 2003**

(30) **Foreign Application Priority Data**

Jun. 25, 2003 (KR) ..... 30-2003-0017860

(51) **LOC (7) Cl.** ..... **16-01**

(52) **U.S. Cl.** ..... **D16/202; D16/218**

(58) **Field of Search** ..... **D16/200–205,  
D16/208, 218; 348/373–376; 358/906, 909.1;  
396/535–541**

(56) **References Cited**

**U.S. PATENT DOCUMENTS**

D445,440 S	*	7/2001	Chen	.....	D16/202
D450,073 S		11/2001	Sumita		
D450,737 S		11/2001	Suzuki		
D457,903 S	*	5/2002	Nasu	.....	D16/218
D480,742 S	*	10/2003	Chin	.....	D16/202

D482,054 S	*	11/2003	Nasu	.....	D16/218
D483,049 S	*	12/2003	Hsieh	.....	D16/202
D487,283 S	*	3/2004	Watanabe	.....	D16/202

\* cited by examiner

*Primary Examiner*—Adir Aronovich

(74) *Attorney, Agent, or Firm*—Gardner Carton & Douglas  
LLP

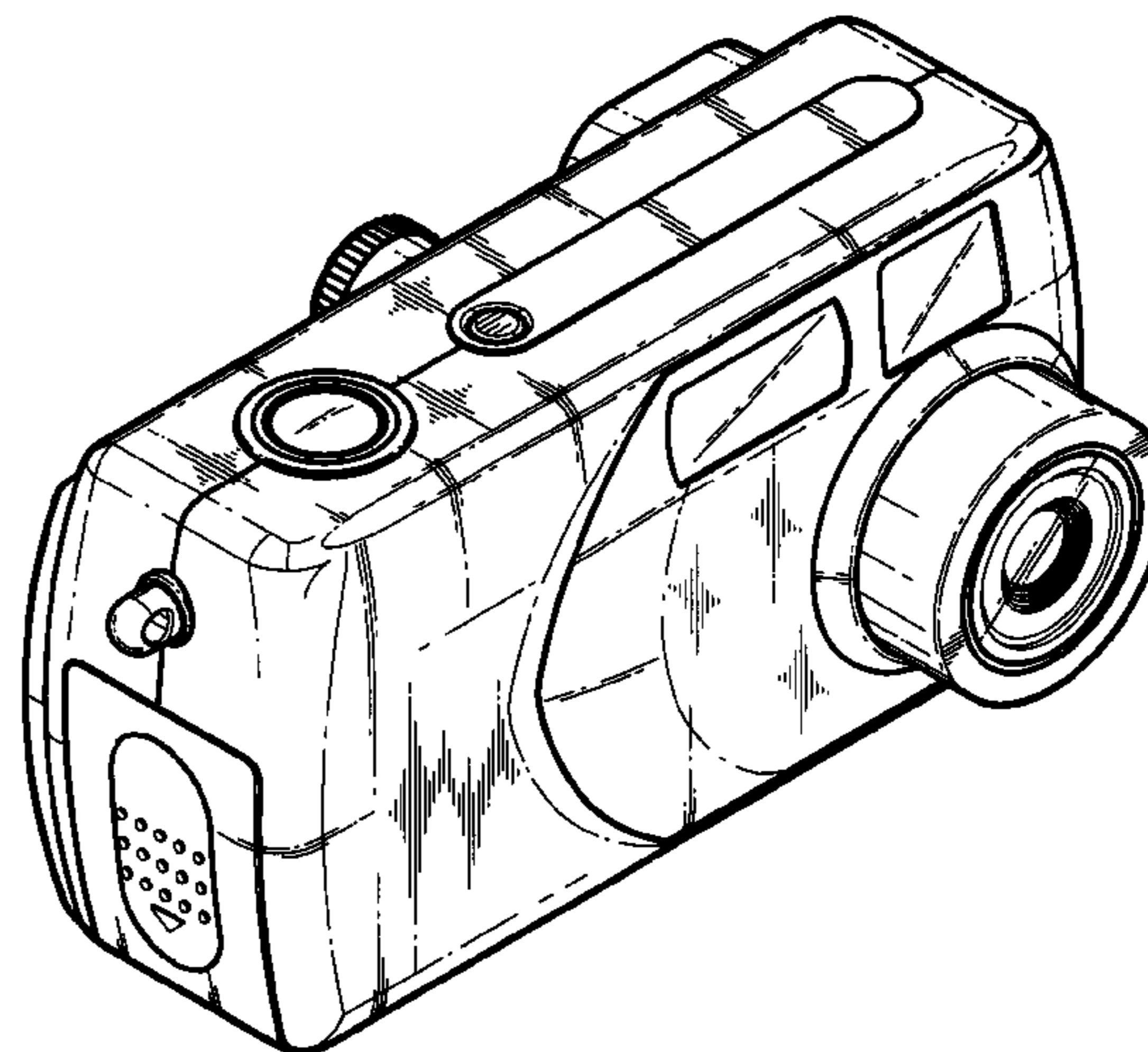
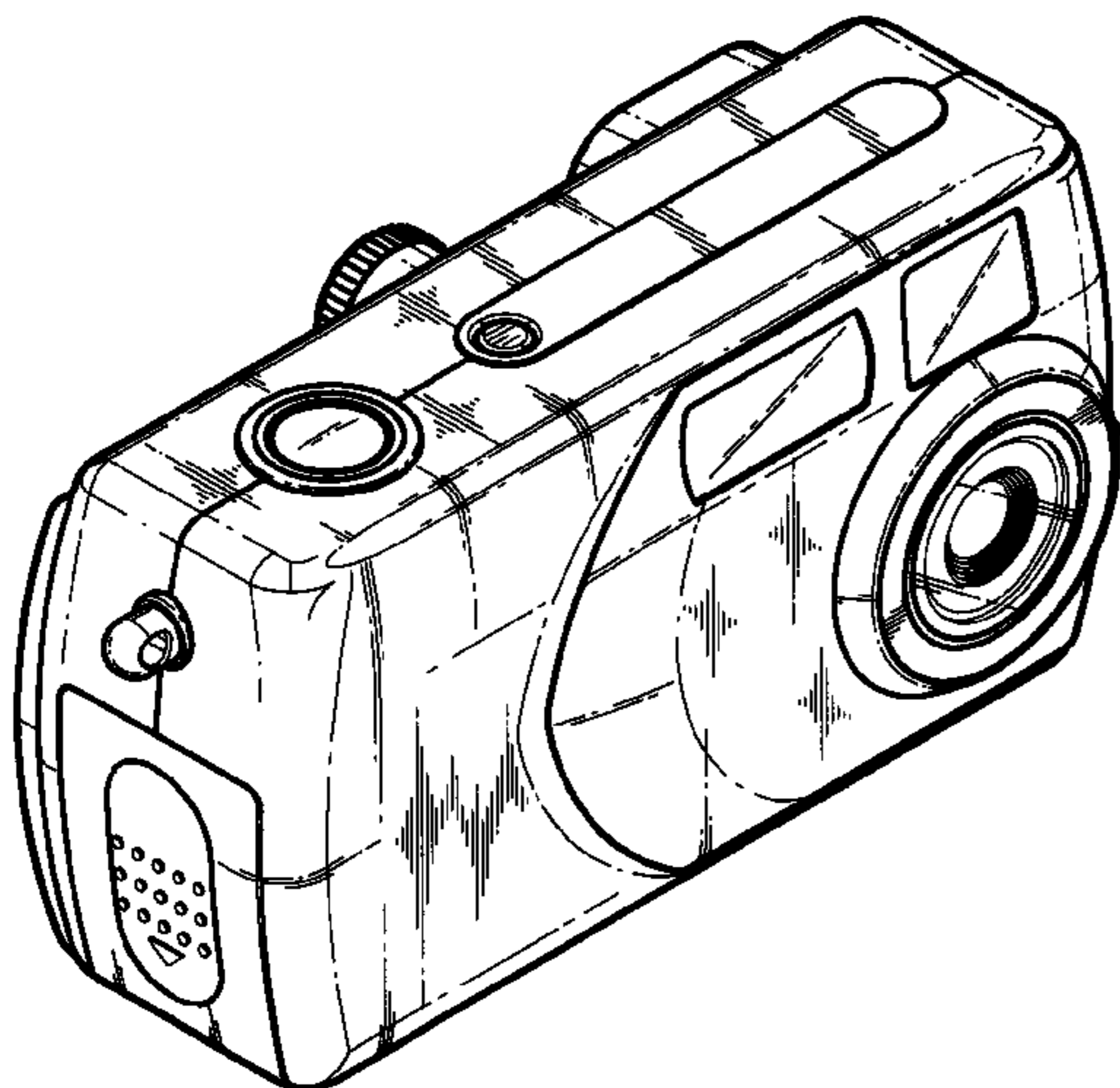
(57) **CLAIM**

The ornamental design for a digital camera, as shown and described.

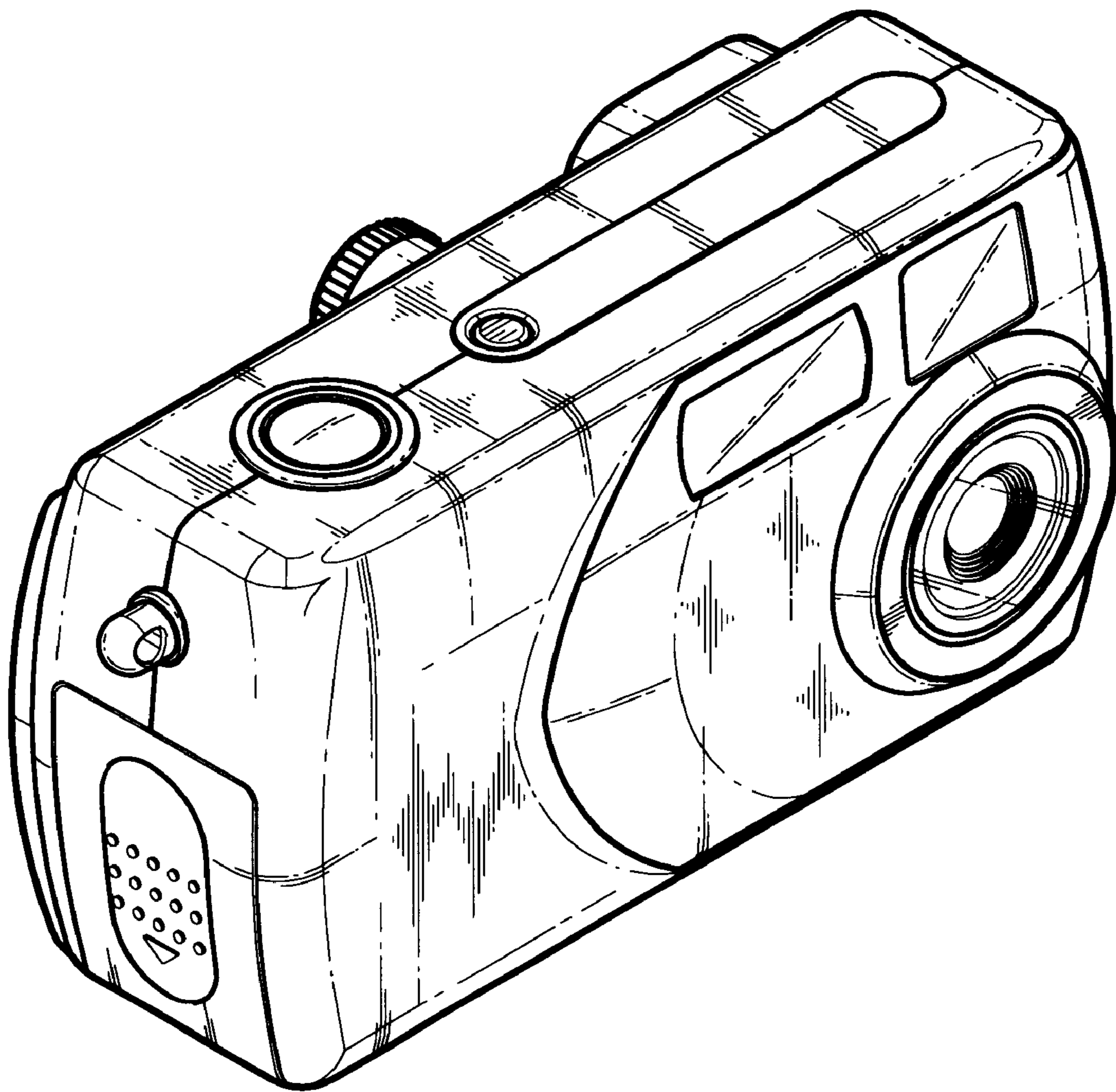
**DESCRIPTION**

FIG. 1 is front perspective view of the design for digital camera;  
 FIG. 2 is a front elevational view of the design of FIG. 1;  
 FIG. 3 is a rear elevational view of the design of the design of FIG. 1;  
 FIG. 4 is a left side elevational view of the design of FIG. 1;  
 FIG. 5 is a right side elevational view of the design of FIG. 1;  
 FIG. 6 is a top view of the design of FIG. 1;  
 FIG. 7 is a bottom view of the design of FIG. 1; and,  
 FIG. 8 is a front perspective view, with the lens in an extended position.

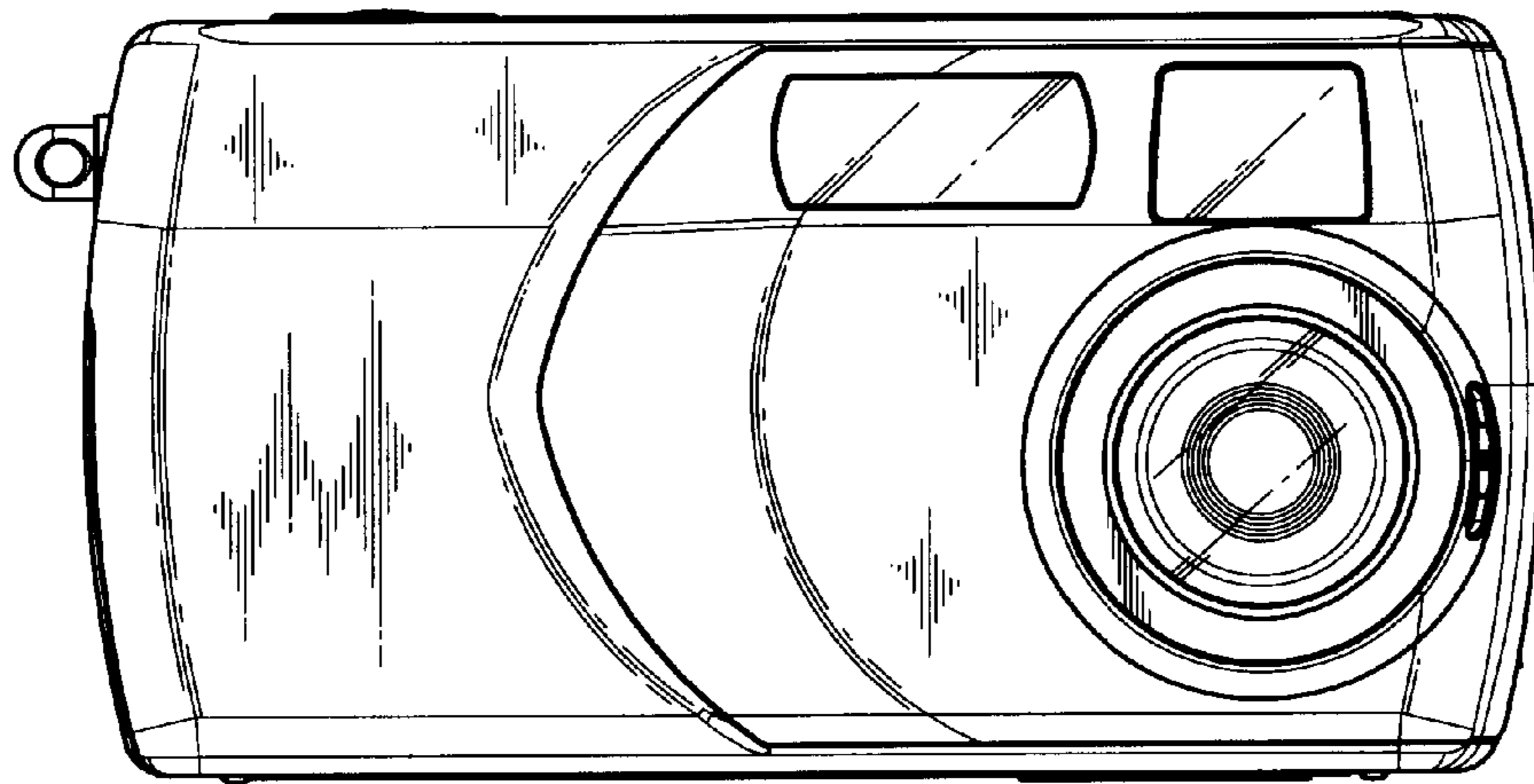
**1 Claim, 5 Drawing Sheets**



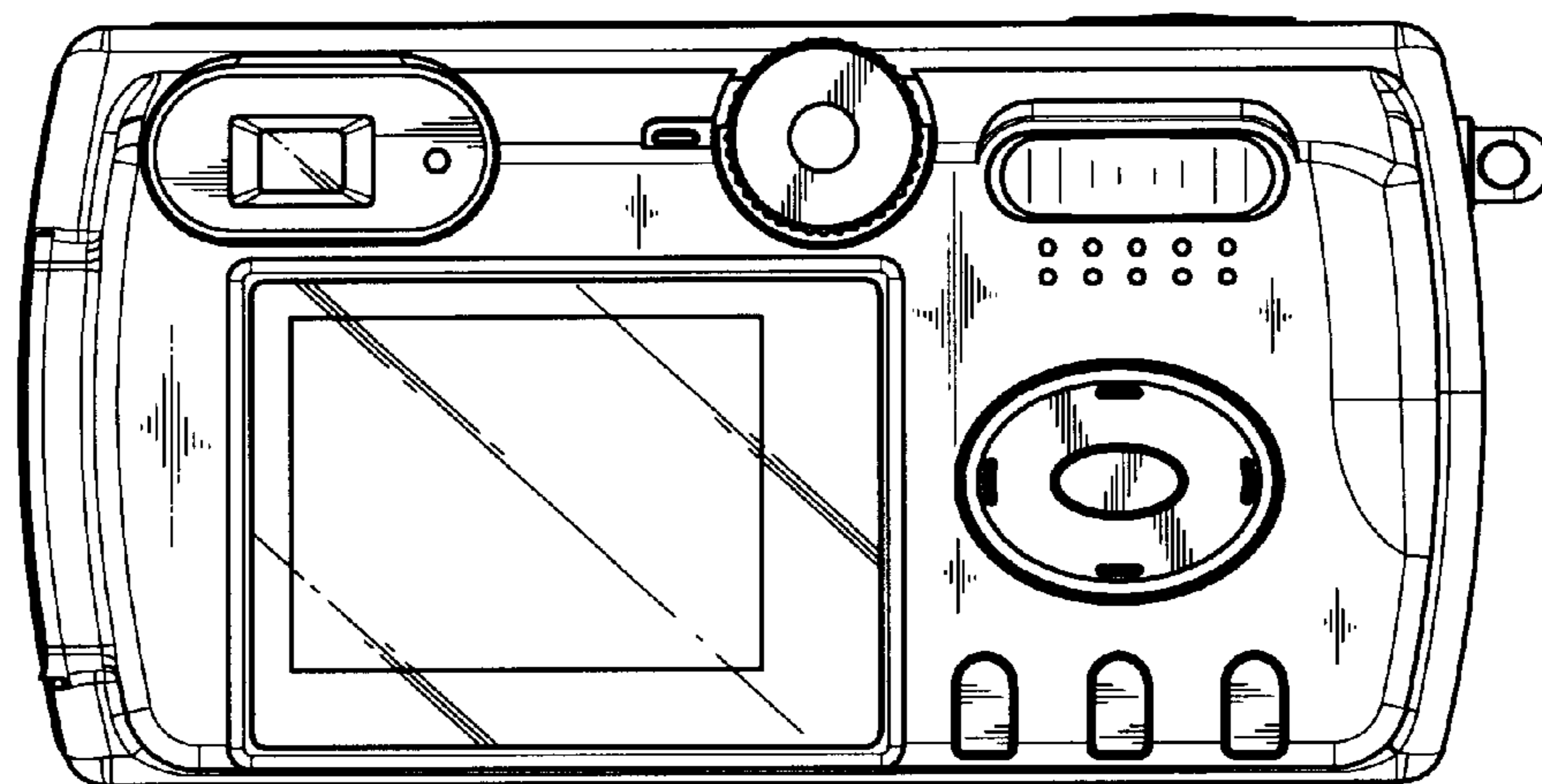
**FIG.1**



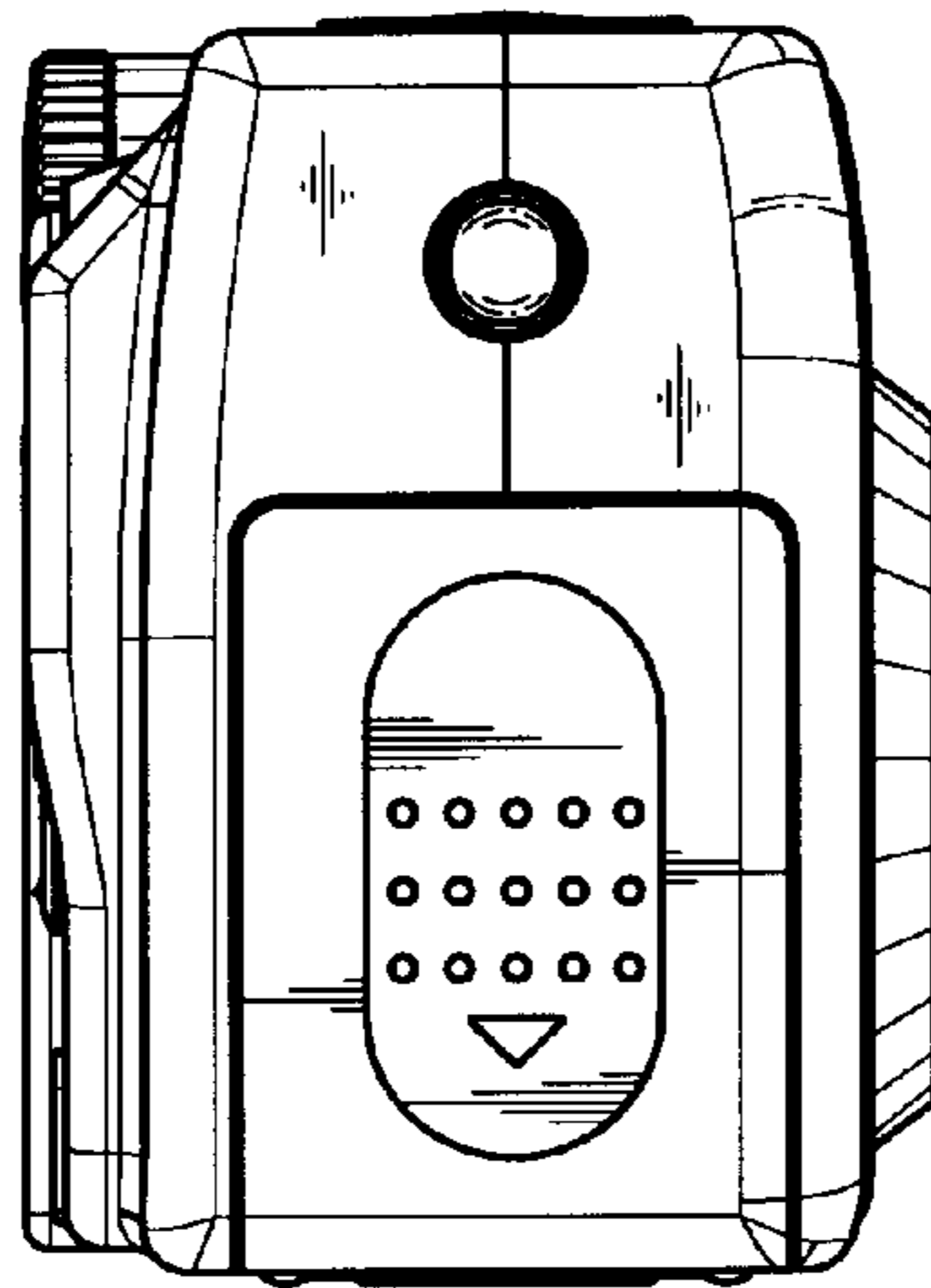
**FIG.2**



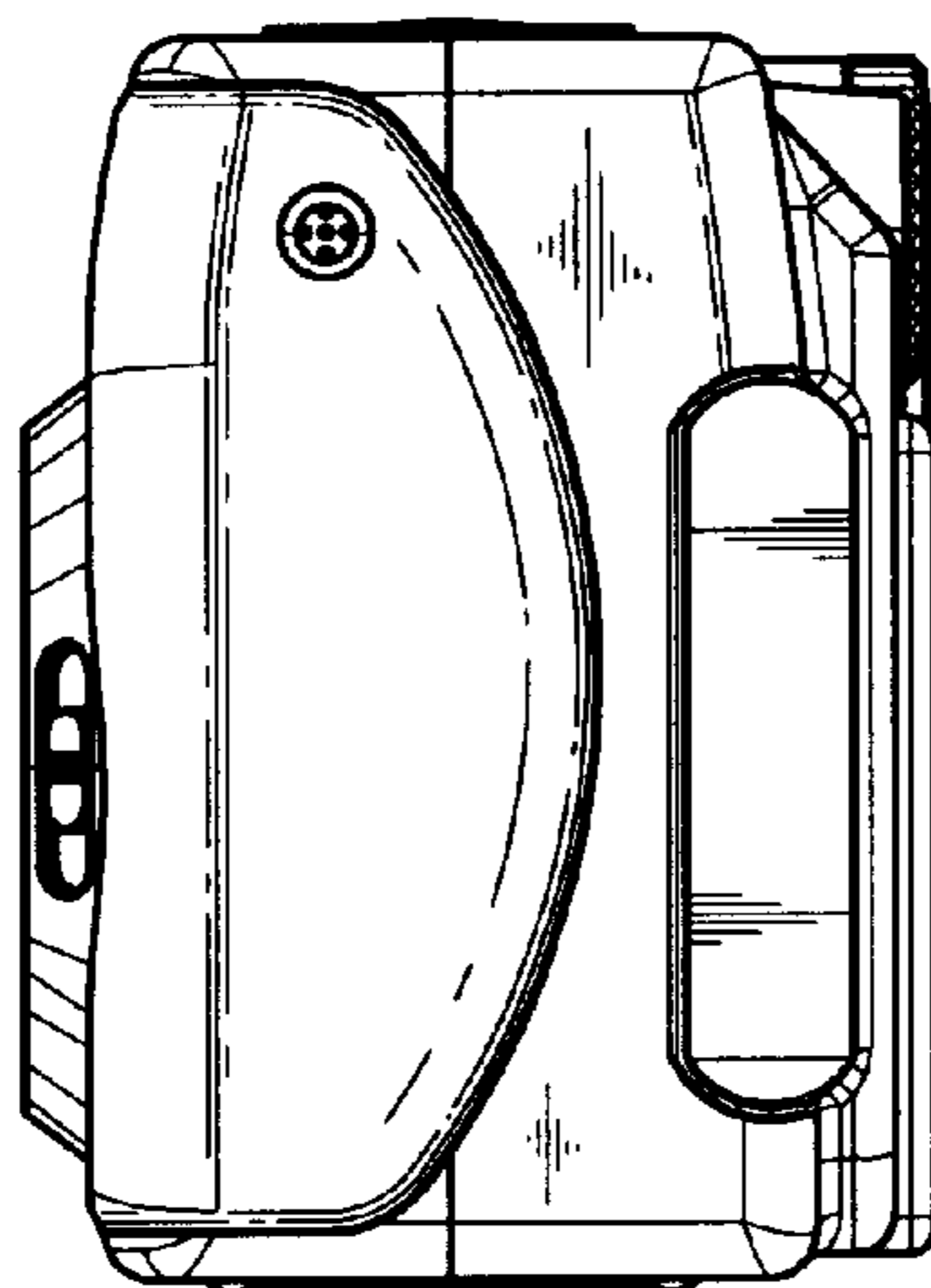
**FIG.3**



**FIG.4**

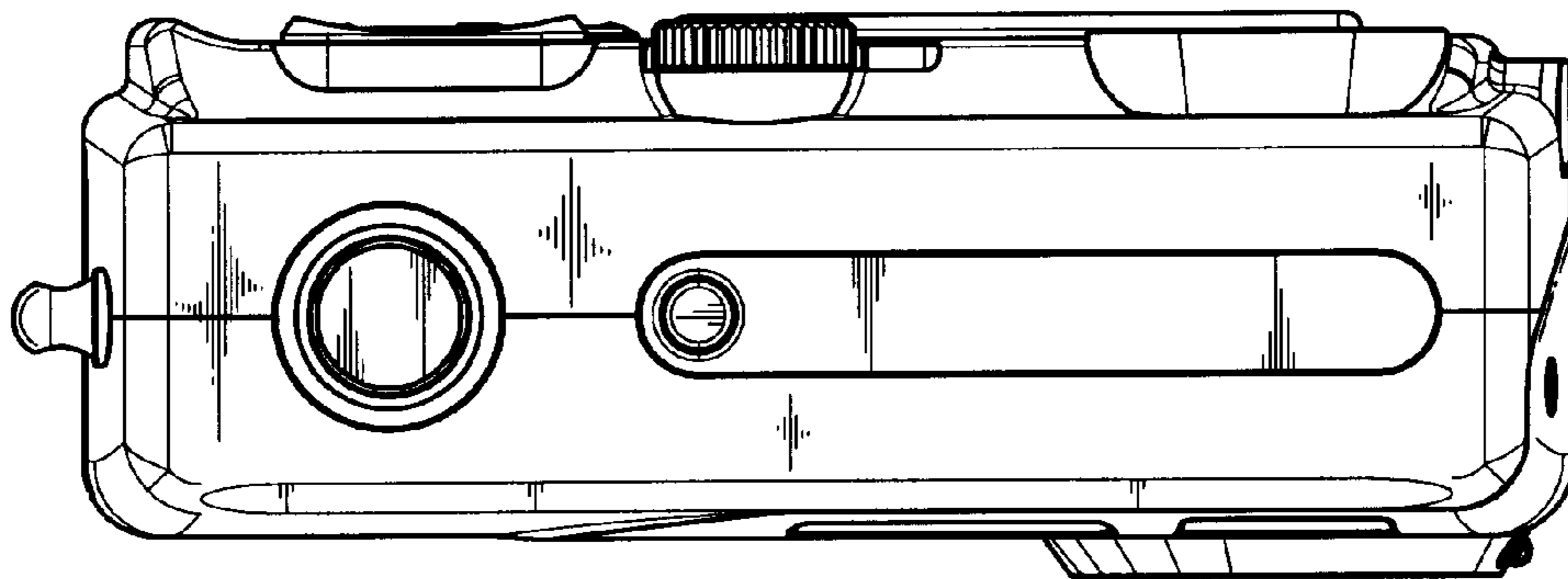


**FIG.5**

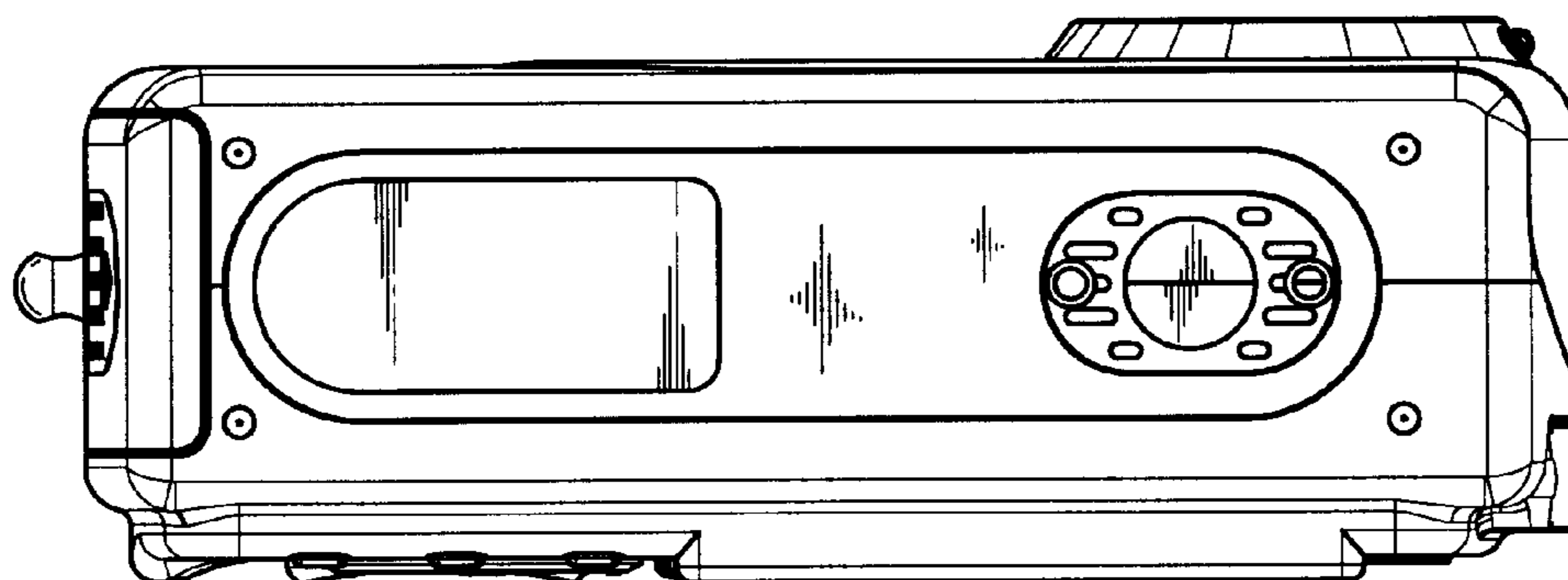




**FIG.6**



**FIG.7**



**FIG.8**

