



US00D495350S1

(12) **United States Design Patent**
Yoo

(10) **Patent No.:** **US D495,350 S**

(45) **Date of Patent:** **** Aug. 31, 2004**

(54) **DIGITAL CAMERA**

(75) **Inventor:** **Seung Seup Yoo, Yongin-si (KR)**

(73) **Assignee:** **Samsung Techwin Co., Ltd.,
Changwon (KR)**

(**) **Term:** **14 Years**

(21) **Appl. No.:** **29/193,843**

(22) **Filed:** **Nov. 13, 2003**

(30) **Foreign Application Priority Data**

Sep. 8, 2003 (KR) 30-2003-0025675

(51) **LOC (7) Cl.** **16-01**

(52) **U.S. Cl.** **D16/202; D16/218**

(58) **Field of Search** **D16/200-205,
D16/208, 218; 348/373-376; 358/906, 909.1;
396/535-541**

(56) **References Cited**

U.S. PATENT DOCUMENTS

D414,195 S	*	9/1999	Shiozaki et al.	D16/202
D430,186 S	*	8/2000	Suzuki et al.	D16/218
D445,440 S	*	7/2001	Chen	D16/202
D450,073 S		11/2001	Sumita	D16/202
D450,737 S		11/2001	Suzuki	D16/202

D477,832 S	*	7/2003	Suzuki	D16/218
D480,742 S	*	10/2003	Chin	D16/202
D483,049 S	*	12/2003	Hsieh	D16/202

* cited by examiner

Primary Examiner—Adir Aronovich

(74) *Attorney, Agent, or Firm*—Gardner Carton & Douglas LLP

(57) **CLAIM**

The ornamental design for a digital camera, as shown and described.

DESCRIPTION

FIG. 1 is front perspective view of the design for a digital camera;
 FIG. 2 is a front elevational view of the design of FIG. 1;
 FIG. 3 is a rear elevational view of the design of FIG. 1;
 FIG. 4 is a left side elevational view of the design of FIG. 1;
 FIG. 5 is a right side elevational view of the design of FIG. 1;
 FIG. 6 is a top view of the design of FIG. 1;
 FIG. 7 is a bottom view of the design of FIG. 1;
 FIG. 8 is a rear perspective view of the design of FIG. 1; and,
 FIG. 9 is a rear perspective view, with the liquid crystal monitor shown in operational position.

1 Claim, 6 Drawing Sheets

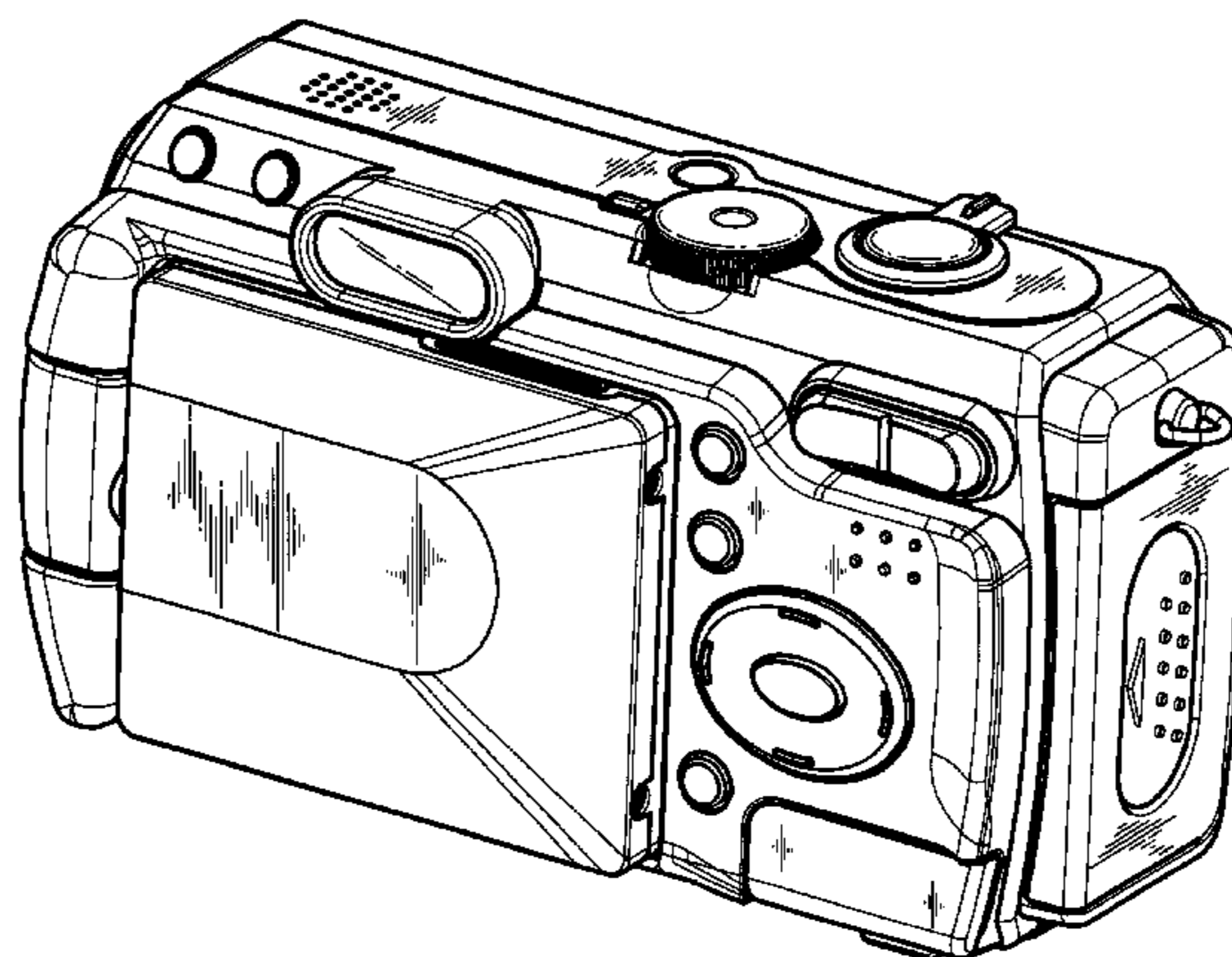
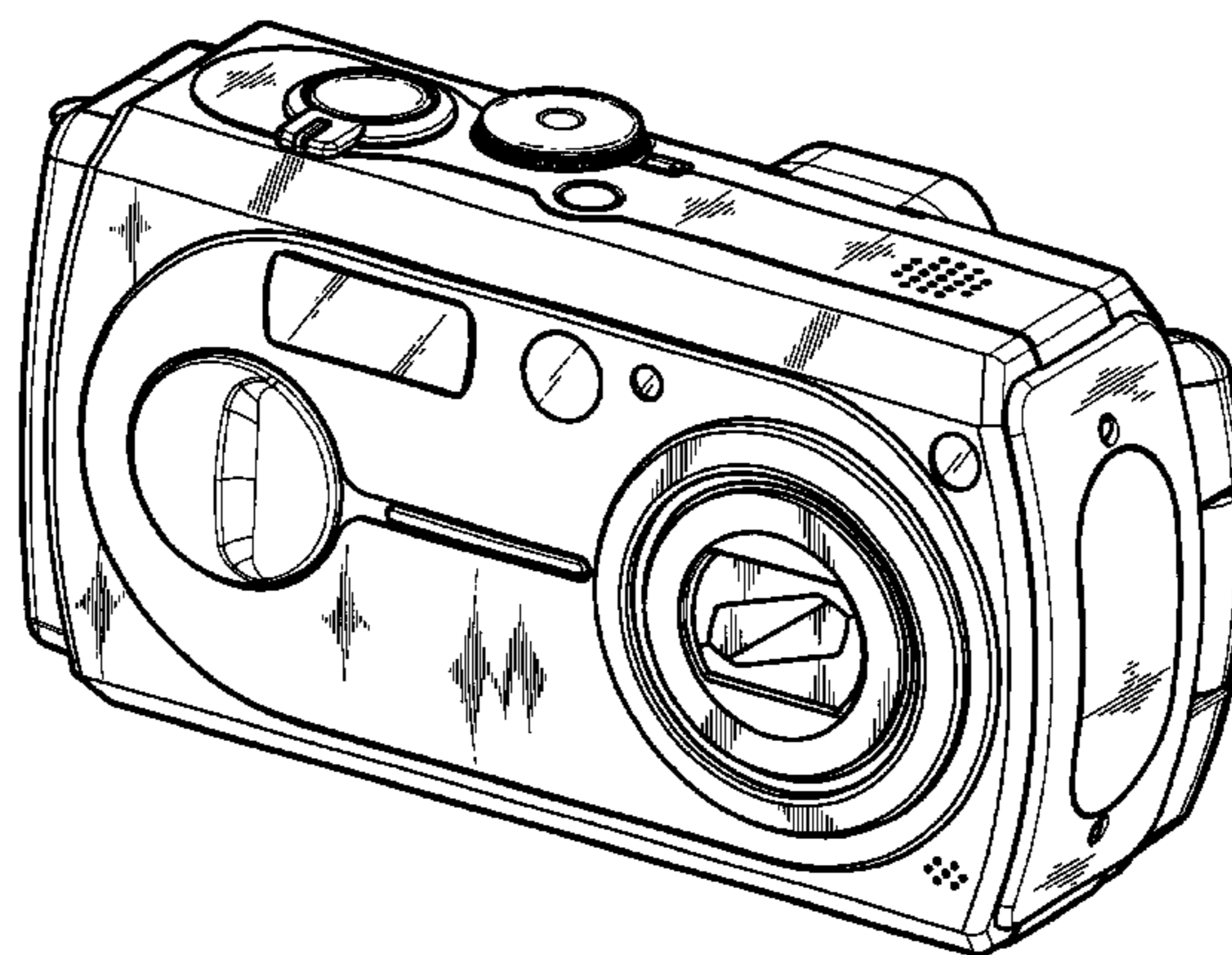


FIG.1

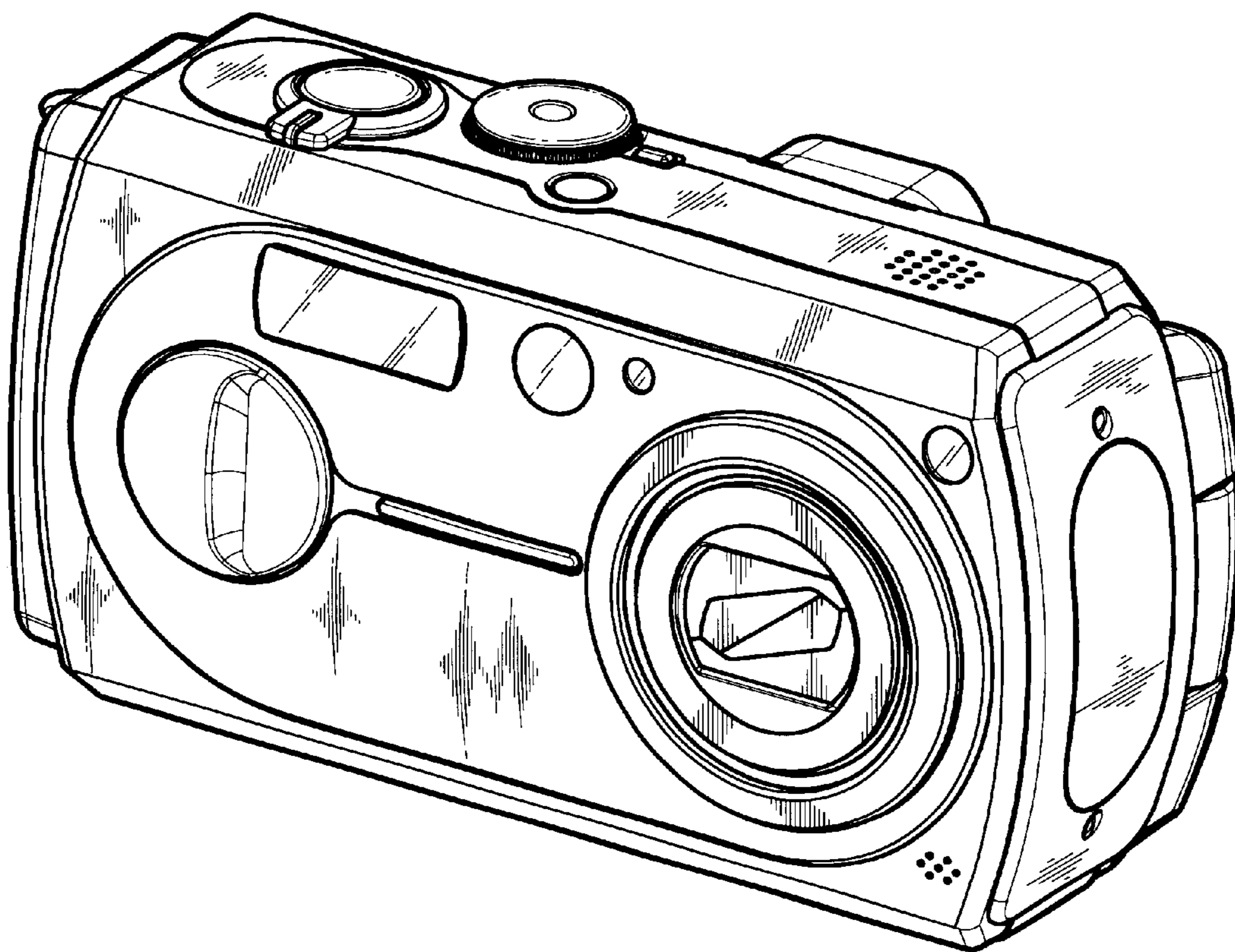


FIG.2

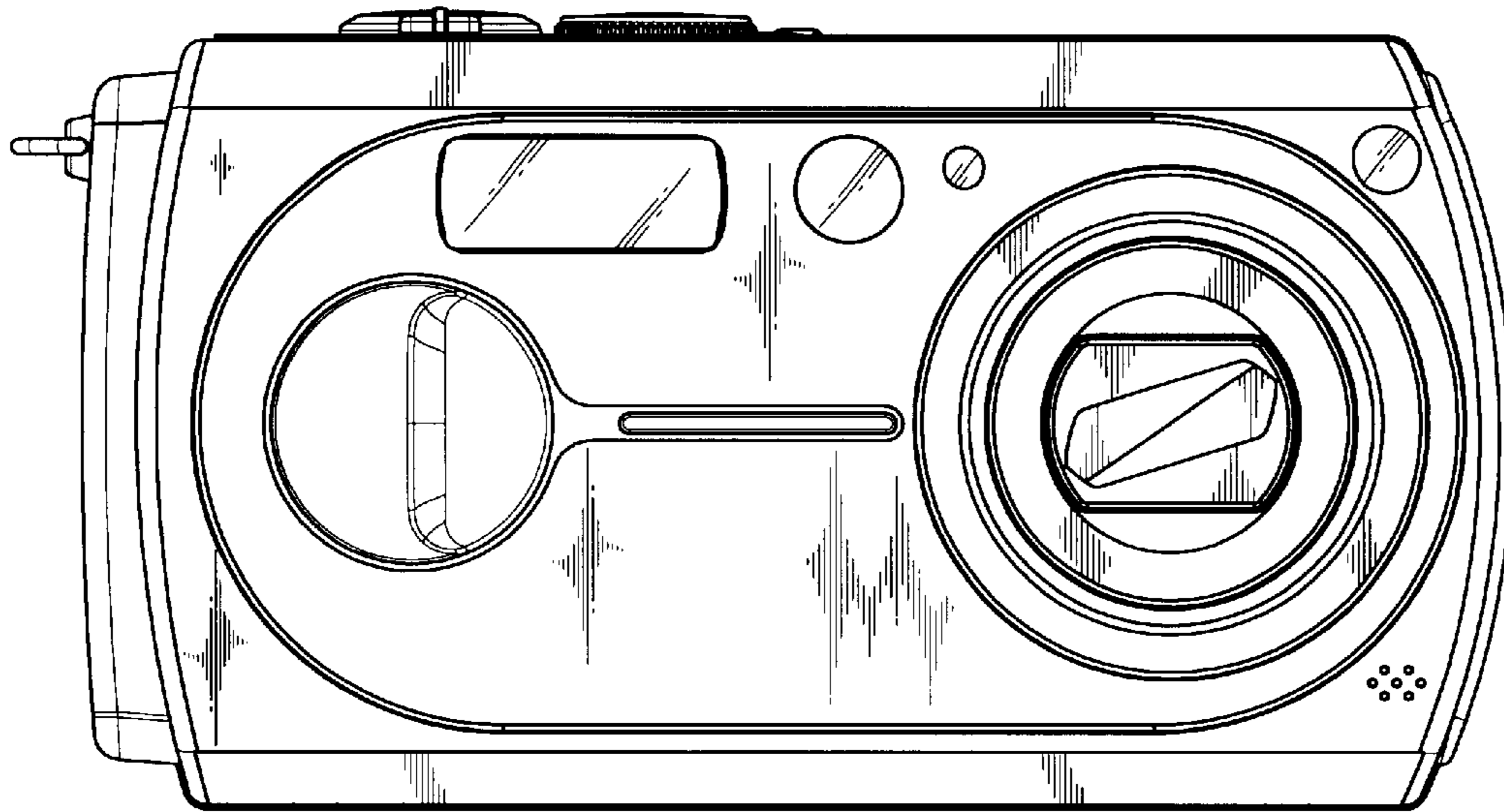


FIG.3

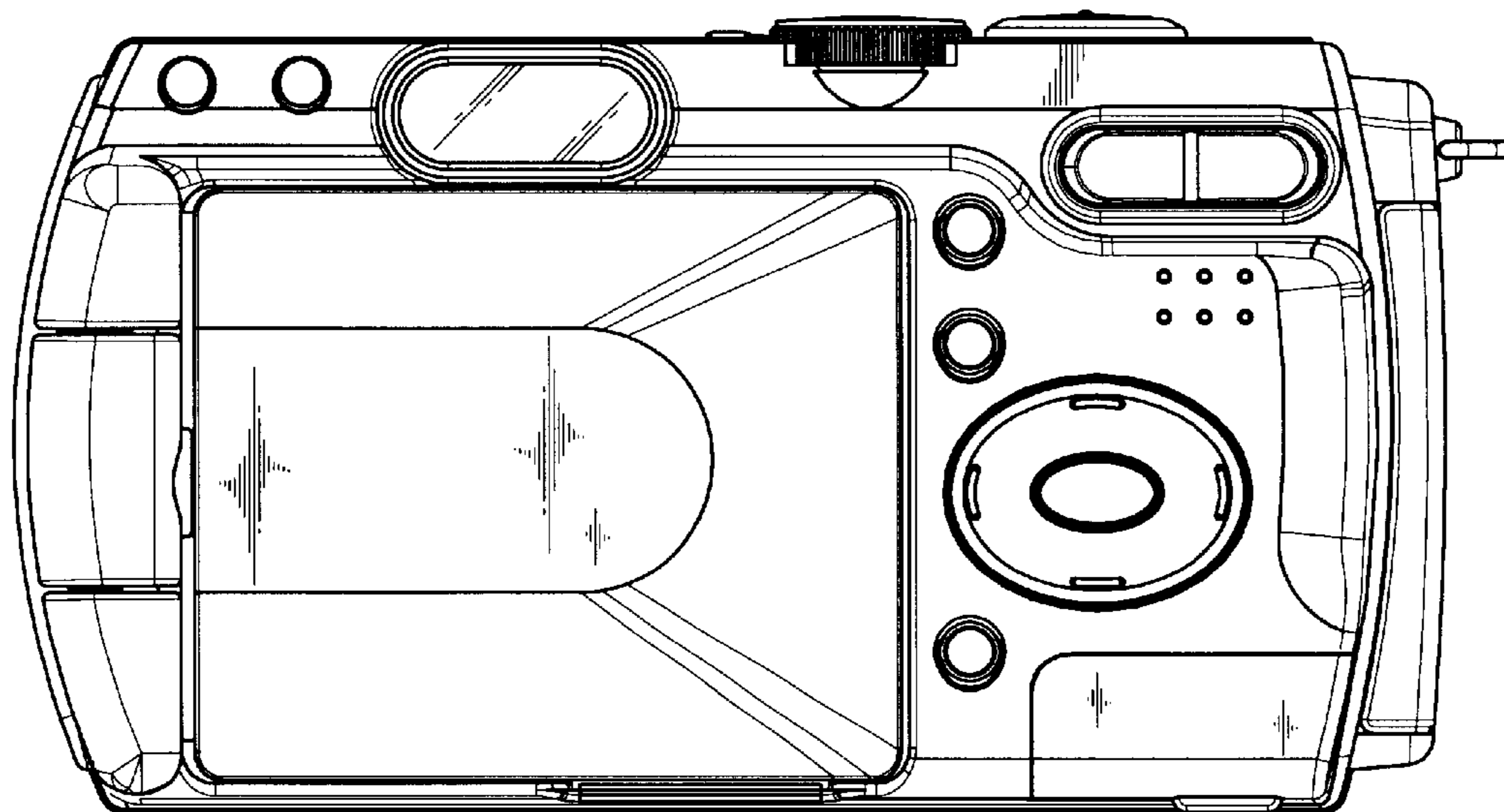


FIG.4

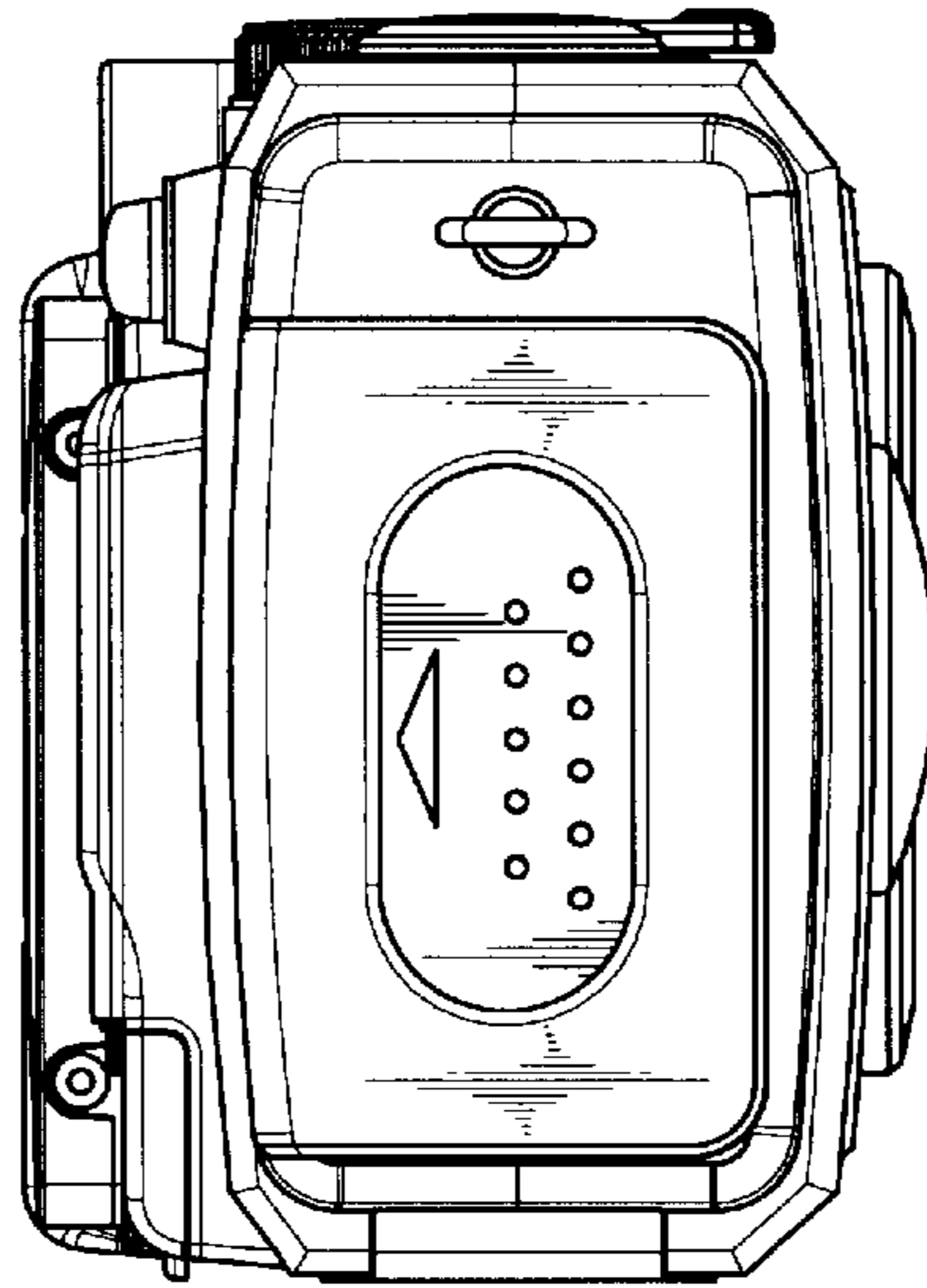


FIG.5

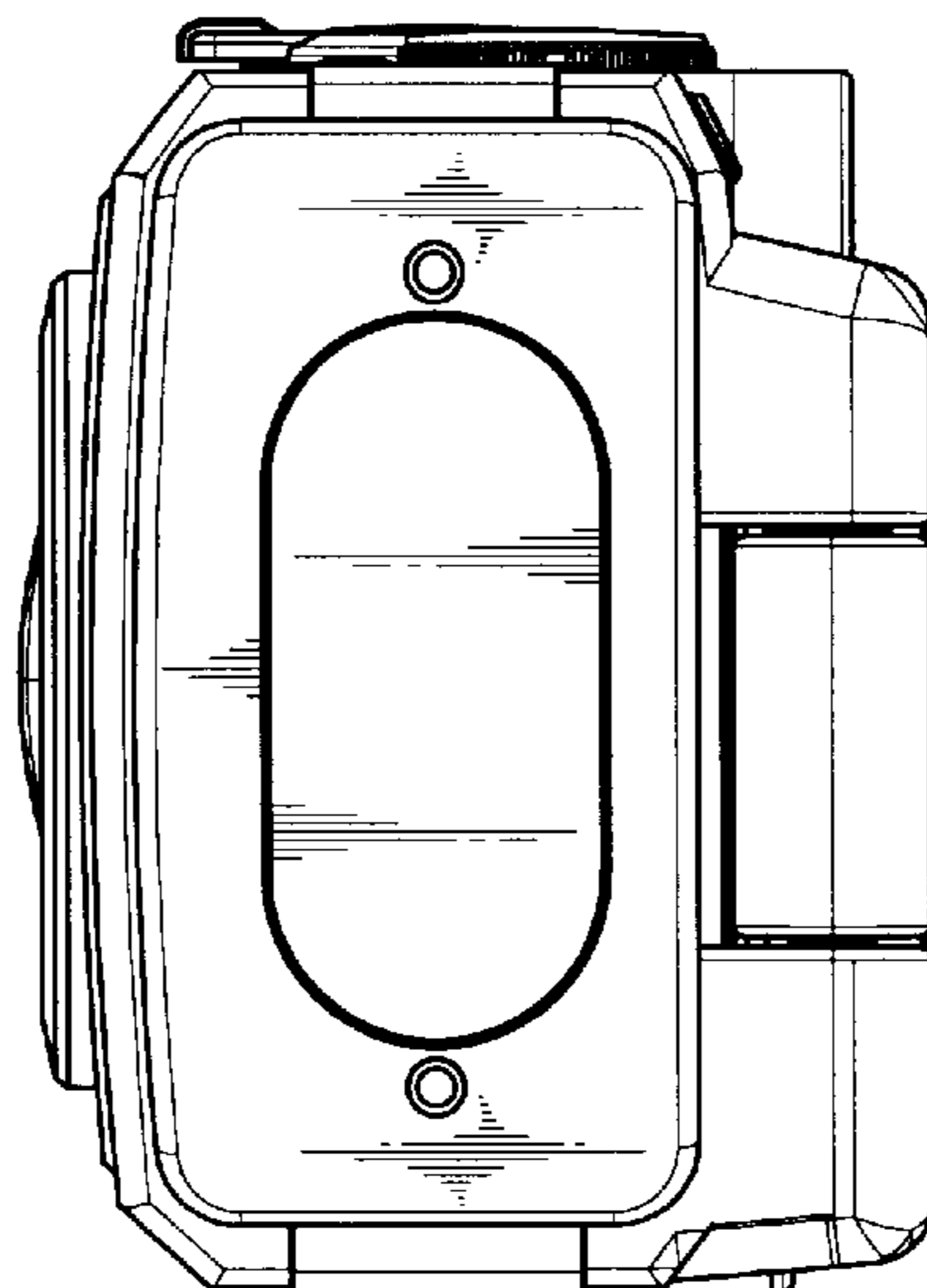


FIG.6

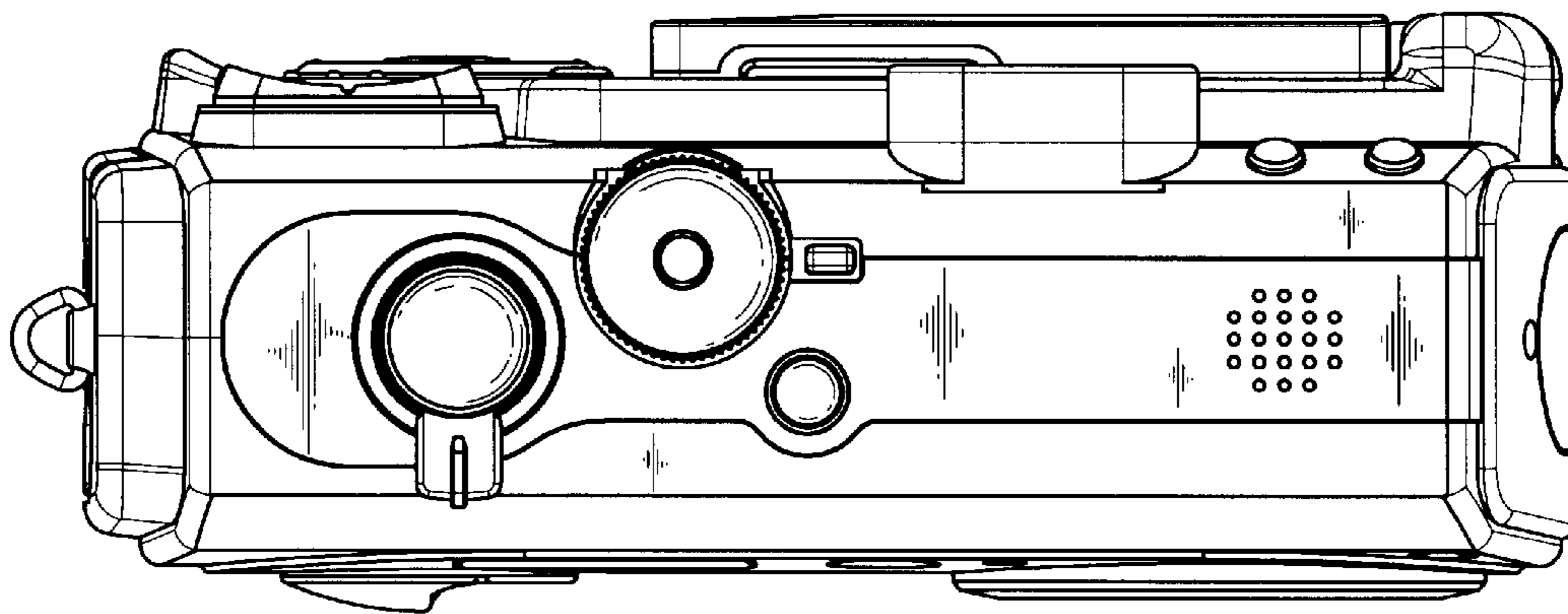


FIG.7

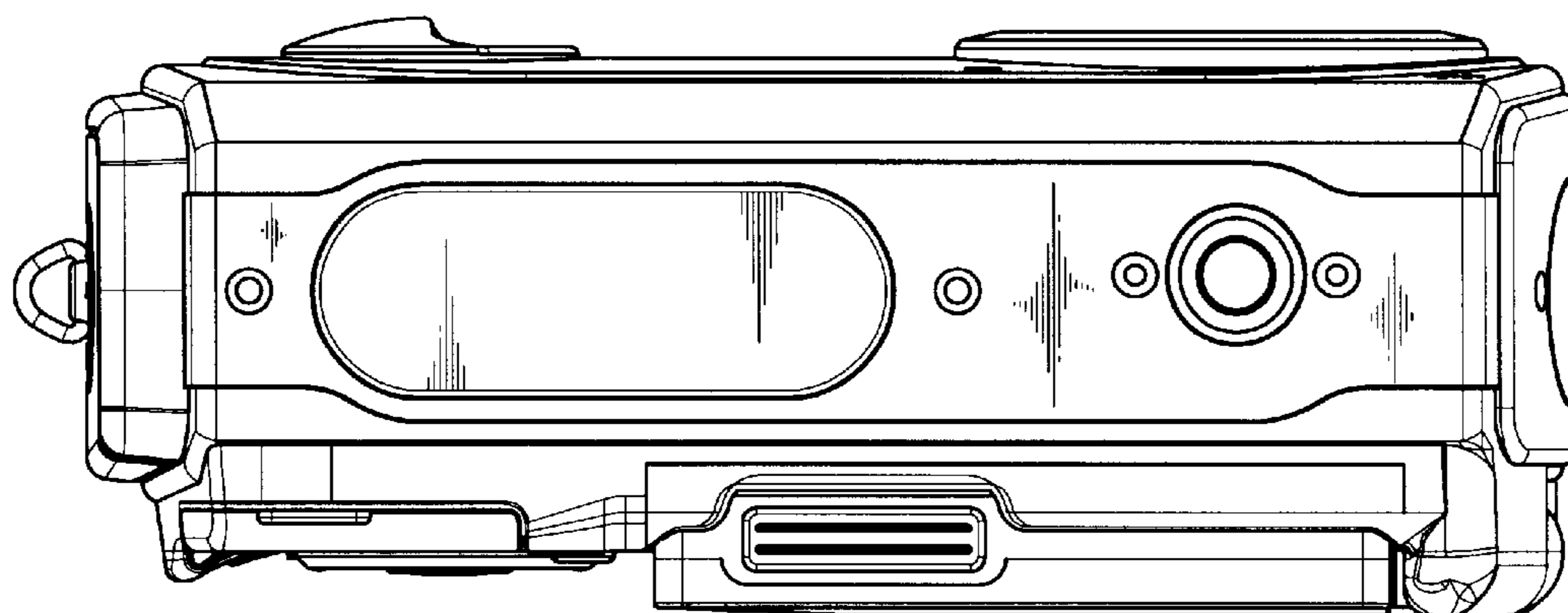


FIG.8

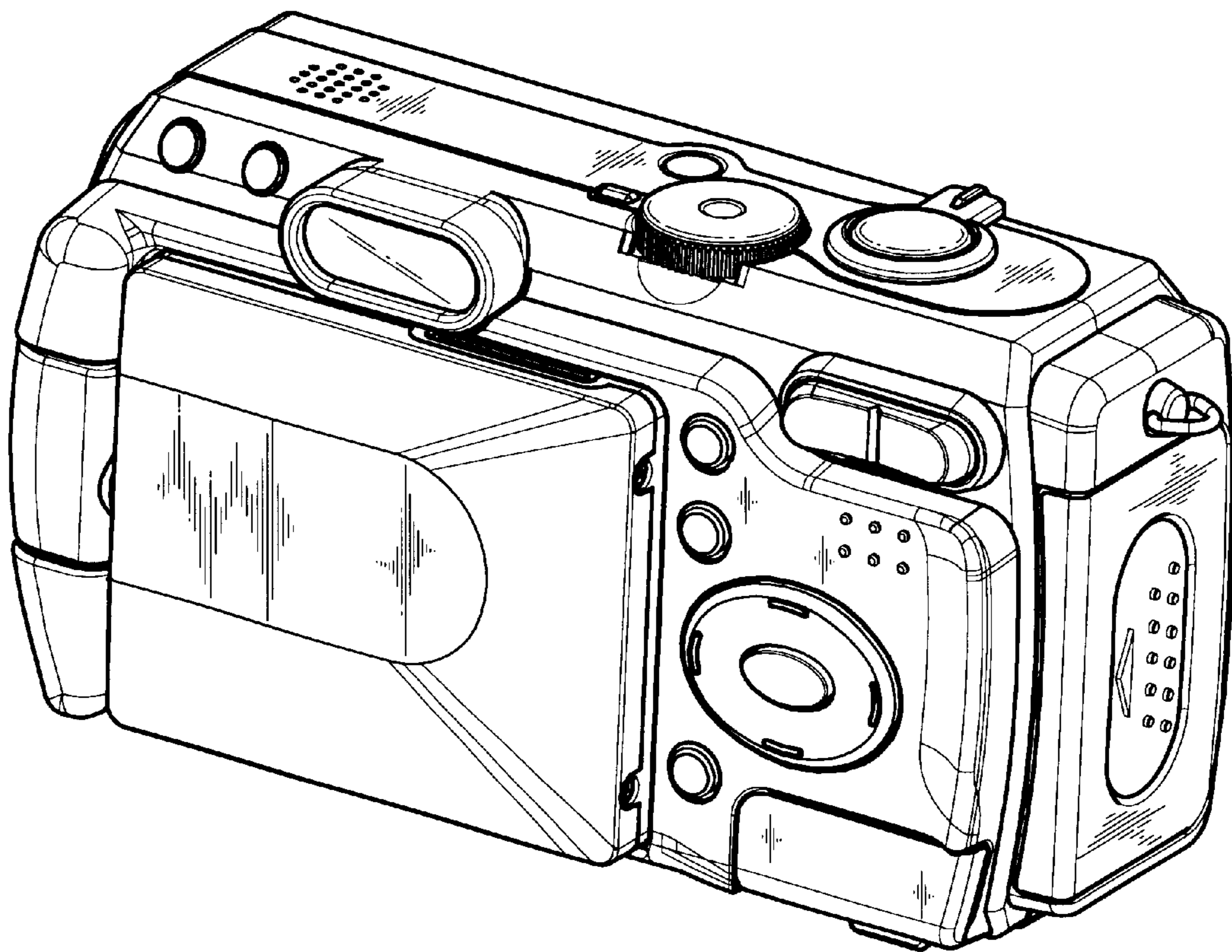


FIG.9

