

US00D495348S1

(12) **United States Design Patent**  
**Brasseur**

(10) **Patent No.:** **US D495,348 S**

(45) **Date of Patent:** **\*\* Aug. 31, 2004**

(54) **OHMIC CLIP**

(75) **Inventor:** **Jonathan Brasseur, Cornish, NH (US)**

(73) **Assignee:** **Thermal Dynamics Corporation, West Lebanon, NH (US)**

(\*\*) **Term:** **14 Years**

(21) **Appl. No.:** **29/167,079**

(22) **Filed:** **Sep. 9, 2002**

(51) **LOC (7) Cl. .... 15-09**

(52) **U.S. Cl. .... D15/144; D8/395**

(58) **Field of Search .... D15/144, 144.1, D15/144.2; D8/30, 70, 394, 395, 396; D7/620; D12/420, 421; 219/121.11, 121.48, 121.49, 121.51, 121.52, 121.53, 121.54, 121.55, 121.56, 121.57, 121.58, 121.59, 158; 24/455, 457; 248/200, 220.1, 228.7, 229.16, 229.26, 230.7, 230.72, 231.81, 300**

(56) **References Cited**

**U.S. PATENT DOCUMENTS**

1,296,072 A	*	3/1919	Gillespie	.....	248/230.7
D74,802 S	*	3/1928	Quain	.....	D19/56
1,895,656 A	*	1/1933	Gadke	.....	248/229.26
2,542,737 A	*	2/1951	Vogel	.....	24/457
D186,435 S	*	10/1959	Wilson	.....	D8/395

3,596,859 A	*	8/1971	MacDonald	.....	248/229.26
4,628,777 A	*	12/1986	Guarr	.....	248/230.7
D304,667 S	*	11/1989	Hutton	.....	D8/396
D306,553 S	*	3/1990	Rumpel	.....	D8/395
D317,999 S	*	7/1991	Sanford	.....	D7/620
D357,227 S	*	4/1995	Smithers	.....	D8/395
D372,333 S	*	7/1996	Pearson	.....	D27/144
D375,453 S	*	11/1996	Fleck	.....	D8/395
5,866,872 A	*	2/1999	Lu et al.	.....	219/121.57
5,897,795 A	*	4/1999	Lu et al.	.....	219/121.52
6,257,533 B1	*	7/2001	Pei et al.	.....	248/200
6,346,685 B2	*	2/2002	Severance et al.	.....	219/121.52
2001/0007320 A1	*	7/2001	Severance et al.	.....	219/121.52

\* cited by examiner

*Primary Examiner*—James Gandy

*Assistant Examiner*—T. Chase Nelson

(74) *Attorney, Agent, or Firm*—Harness, Dickey & Pierce, P.L.C.

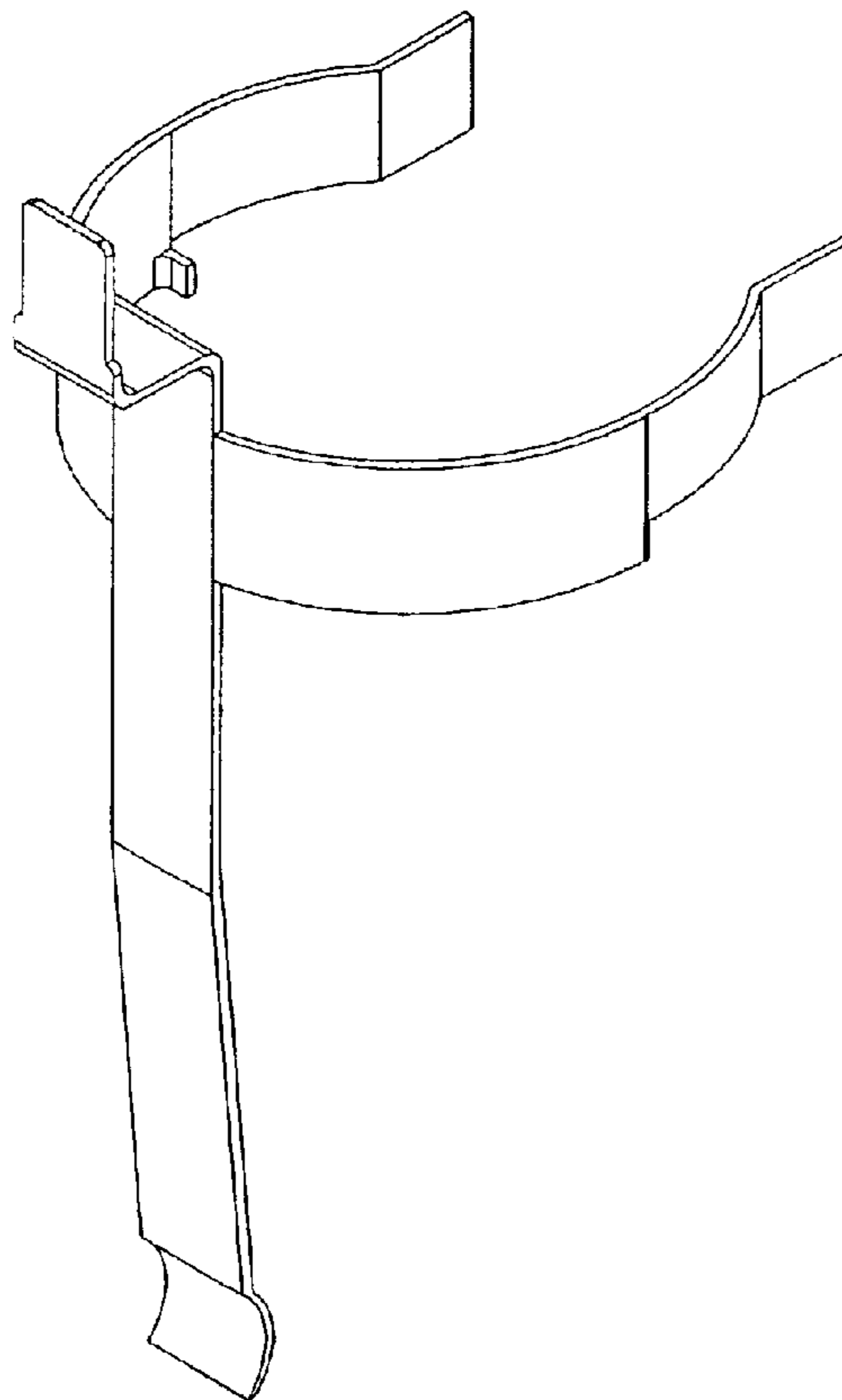
(57) **CLAIM**

The ornamental design for an ohmic clip, as shown and described.

**DESCRIPTION**

FIG. 1 is a perspective view of the ohmic clip; FIG. 2 is a side elevation view thereof; and, FIG. 3 is a top plan view thereof.

**1 Claim, 3 Drawing Sheets**



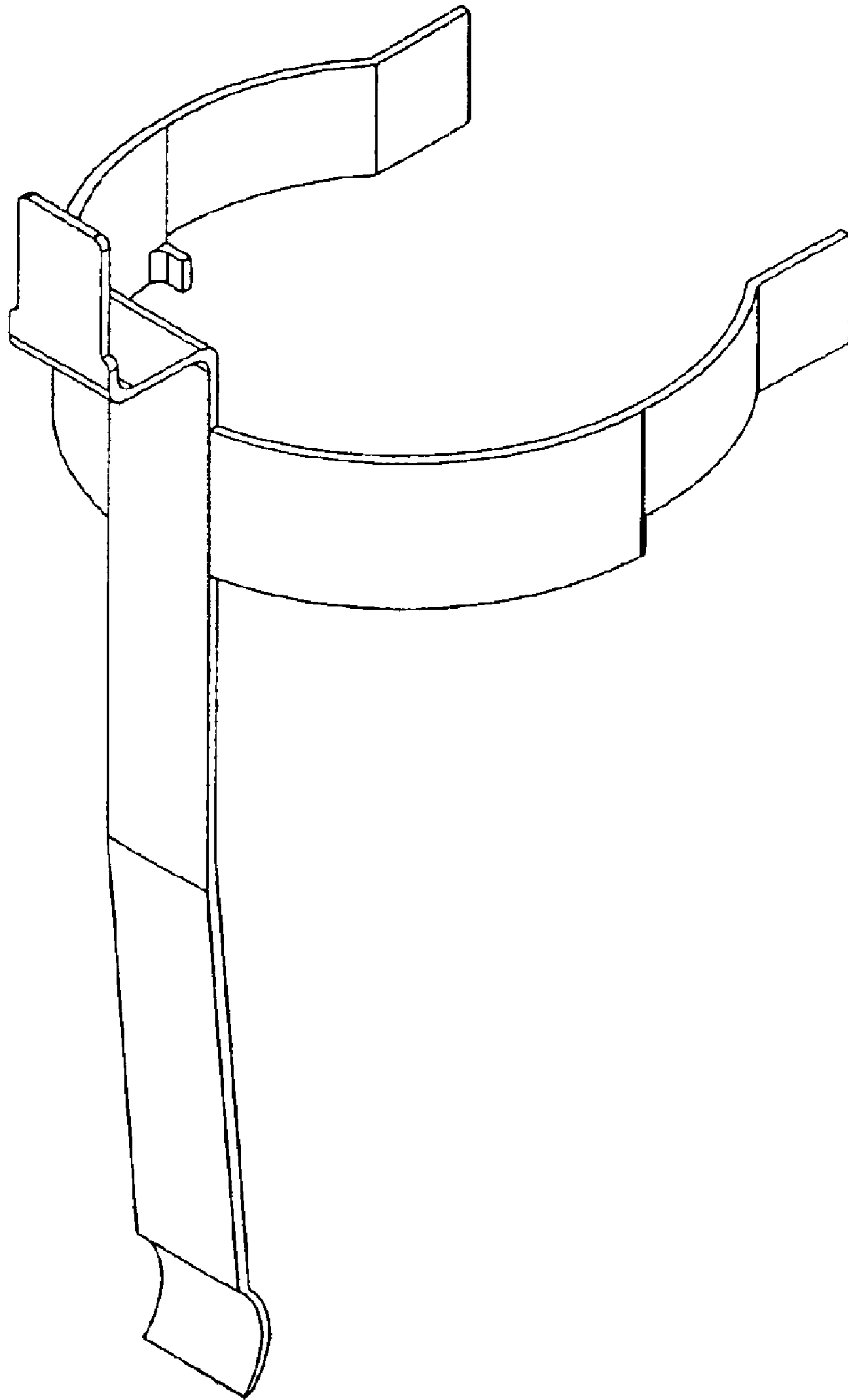


Fig. 1

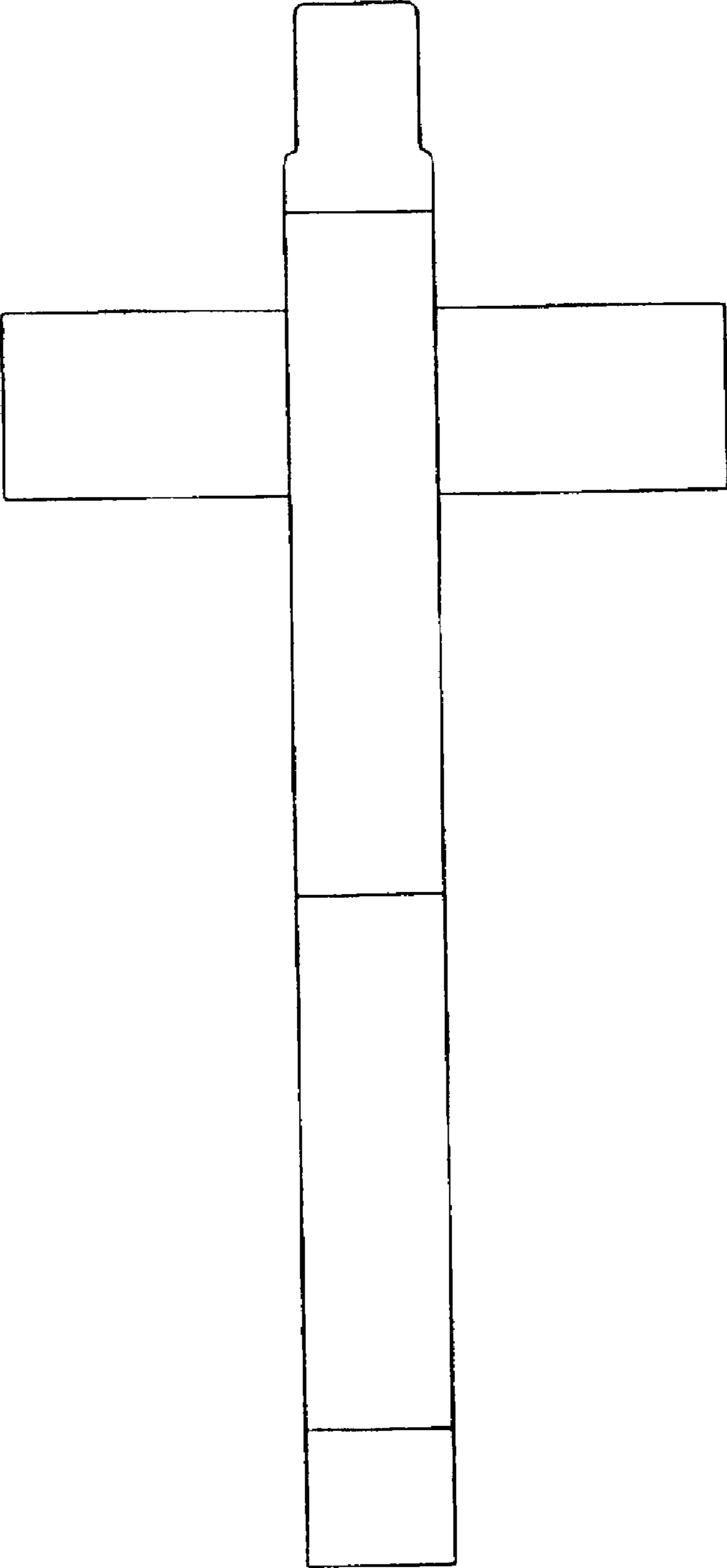


Fig. 2

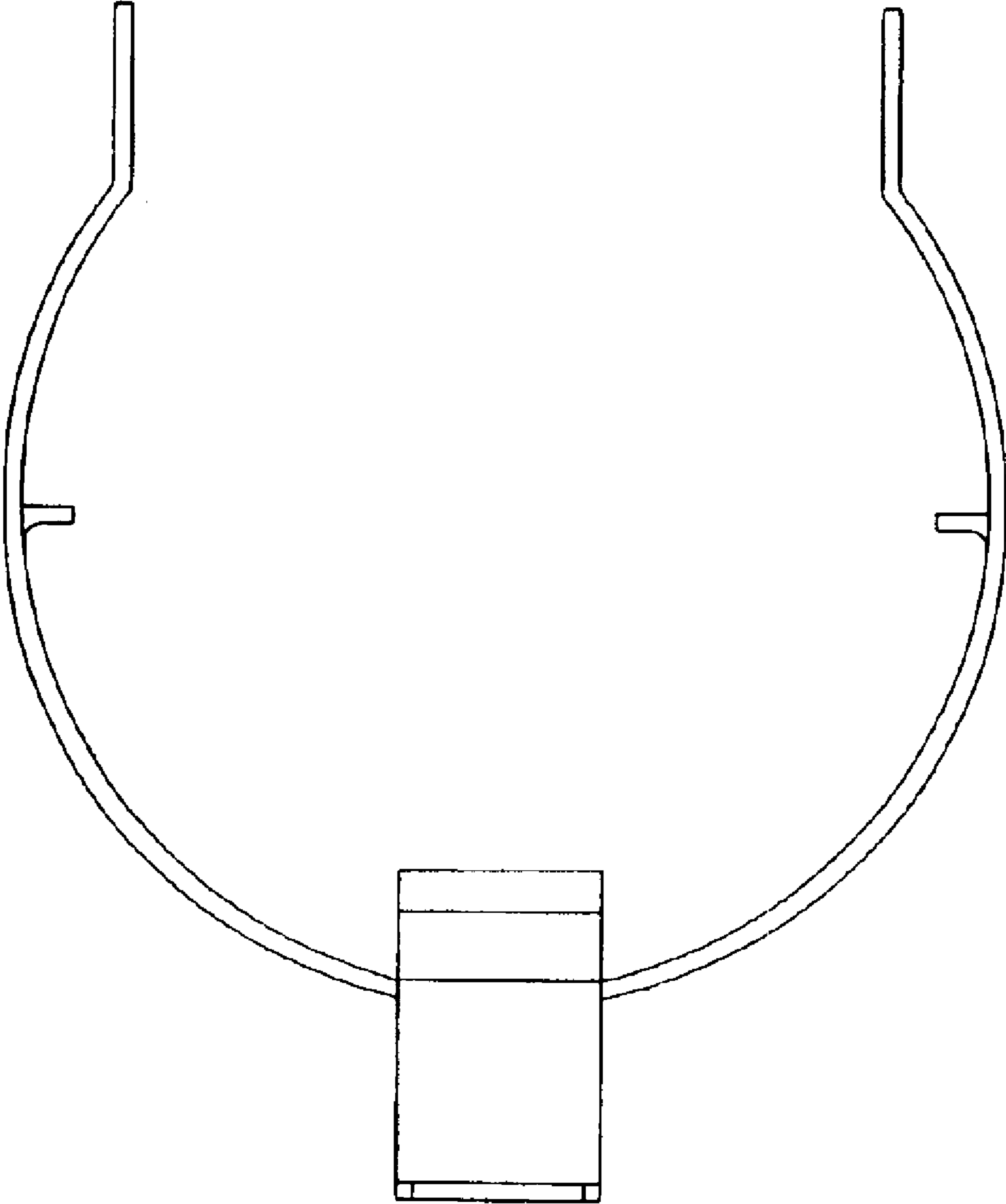


Fig. 3