

US00D495347S1

(12) **United States Design Patent**  
**Erbach**

(10) **Patent No.: US D495,347 S**

(45) **Date of Patent: \*\* Aug. 31, 2004**

(54) **PARTICLE COLLECTOR LID**

(75) **Inventor: Steven A. Erbach, Sumner, WA (US)**

(73) **Assignee: WMH Tool Group, Inc., Elgin, IL (US)**

(\*\*) **Term: 14 Years**

(21) **Appl. No.: 29/174,836**

(22) **Filed: Jan. 24, 2003**

(51) **LOC (7) Cl. .... 15-03**

(52) **U.S. Cl. .... D15/138; D32/25**

(58) **Field of Search .... D32/32, 31, 30, D32/25; D15/122, 138; 15/347, 352, 353; 55/424, 428**

D410,782 S	6/1999	Siemers	
6,027,541 A	2/2000	Siemers	
D423,354 S *	4/2000	Lin	..... D32/31 X
6,210,457 B1	4/2001	Siemers	
6,398,834 B2 *	6/2002	Oh	..... 55/424
D468,497 S *	1/2003	Lovely, Jr.	..... D32/31
2001/0042283 A1	11/2001	Oh et al.	
2001/0054213 A1	12/2001	Oh et al.	

\* cited by examiner

*Primary Examiner*—Brian N. Vinson

(74) *Attorney, Agent, or Firm*—Fitch, Even, Tabin & Flannery

(57) **CLAIM**

I claim the ornamental design for a particle collector lid, as shown and described.

**DESCRIPTION**

FIG. 1 is a perspective view of a particle collector lid according to my new design, the broken lines of the particle collector lid are for illustrative purposes only and form no part of the claimed design;

FIG. 2 is a plan view of the particle collector lid of FIG. 1; FIG. 3 is a front elevational view of the particle collector lid of FIG. 1;

FIG. 4 is a side elevational view of the particle collector lid of FIG. 1; and,

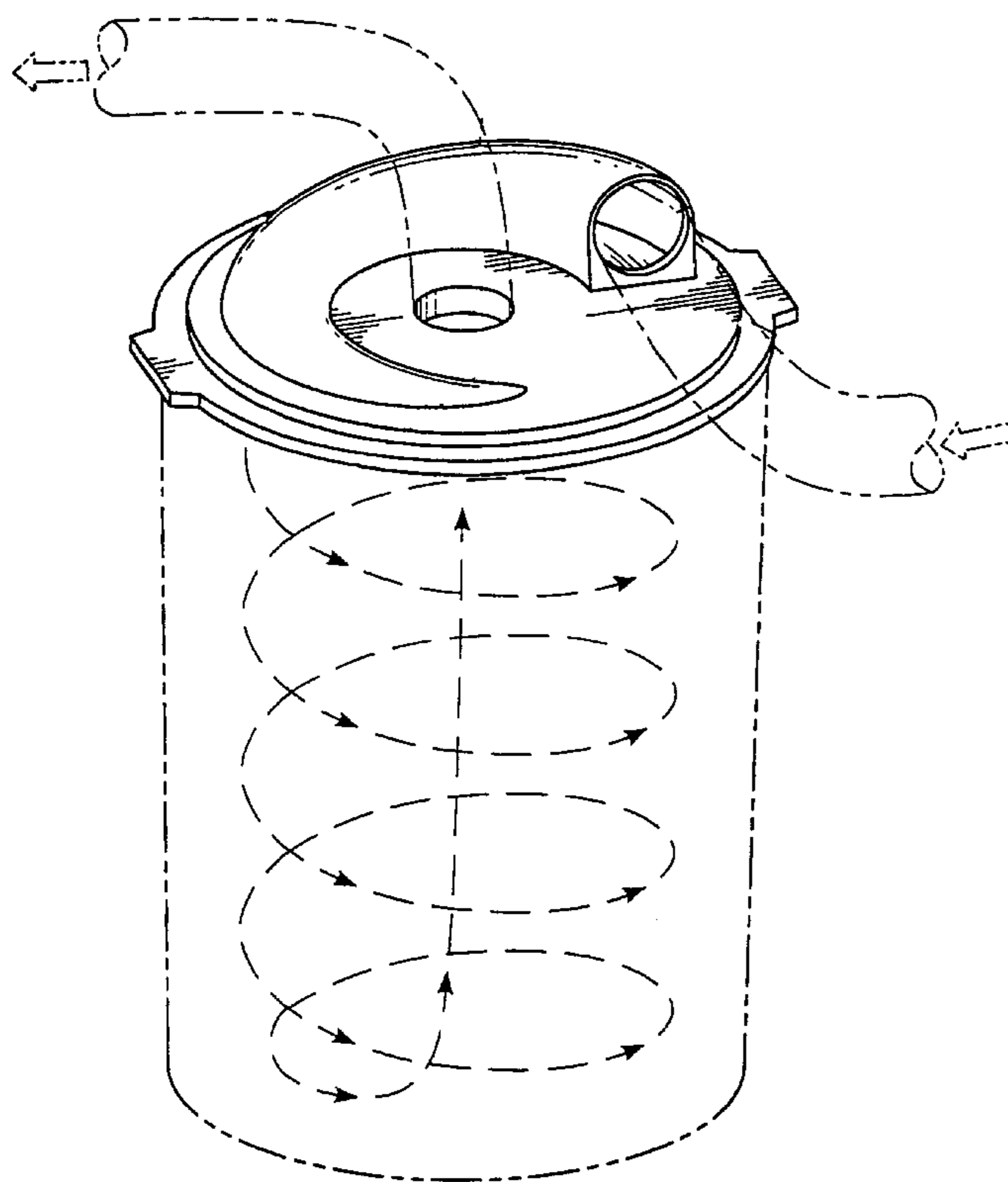
FIG. 5 is a bottom view of the particle collector lid of FIG. 1.

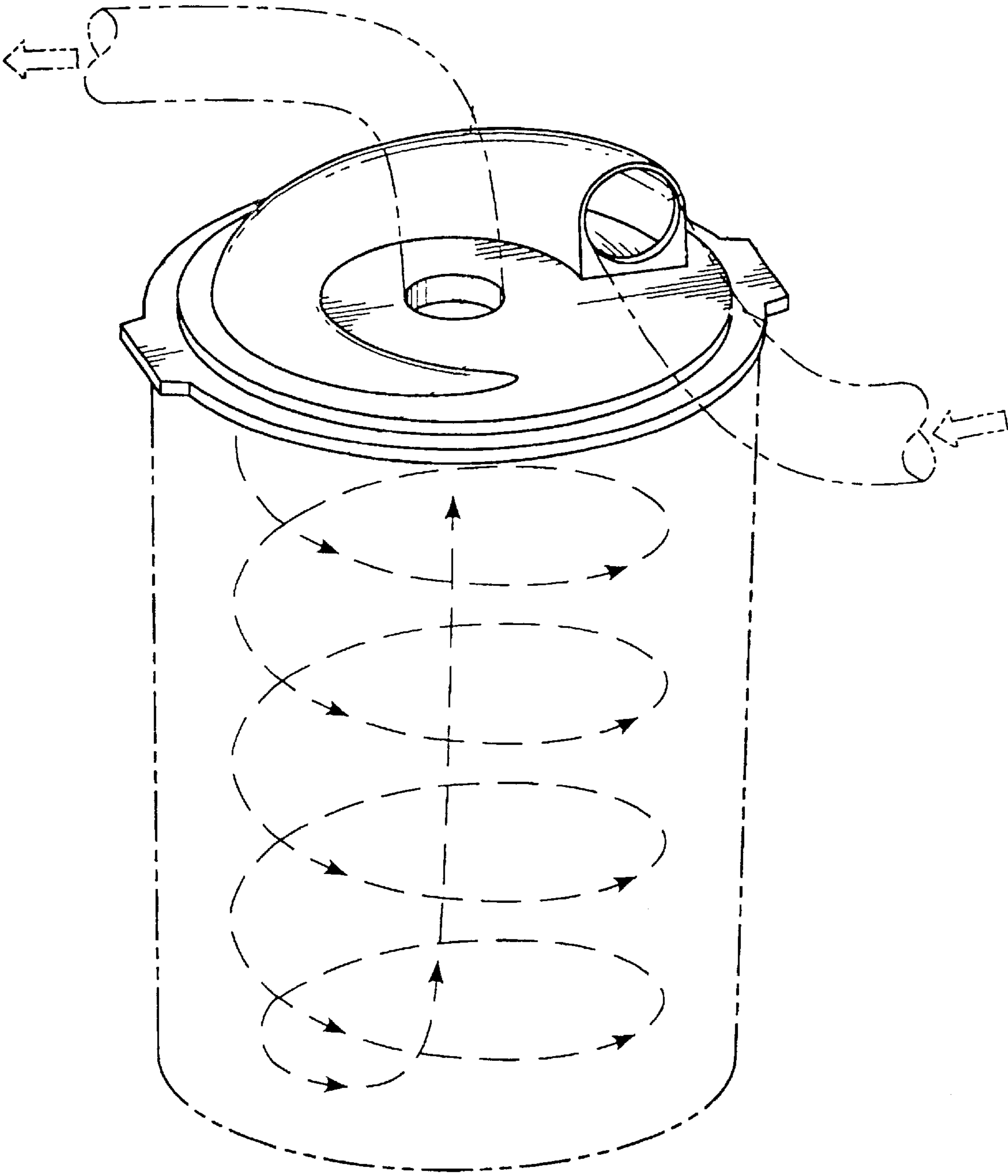
**1 Claim, 3 Drawing Sheets**

(56) **References Cited**

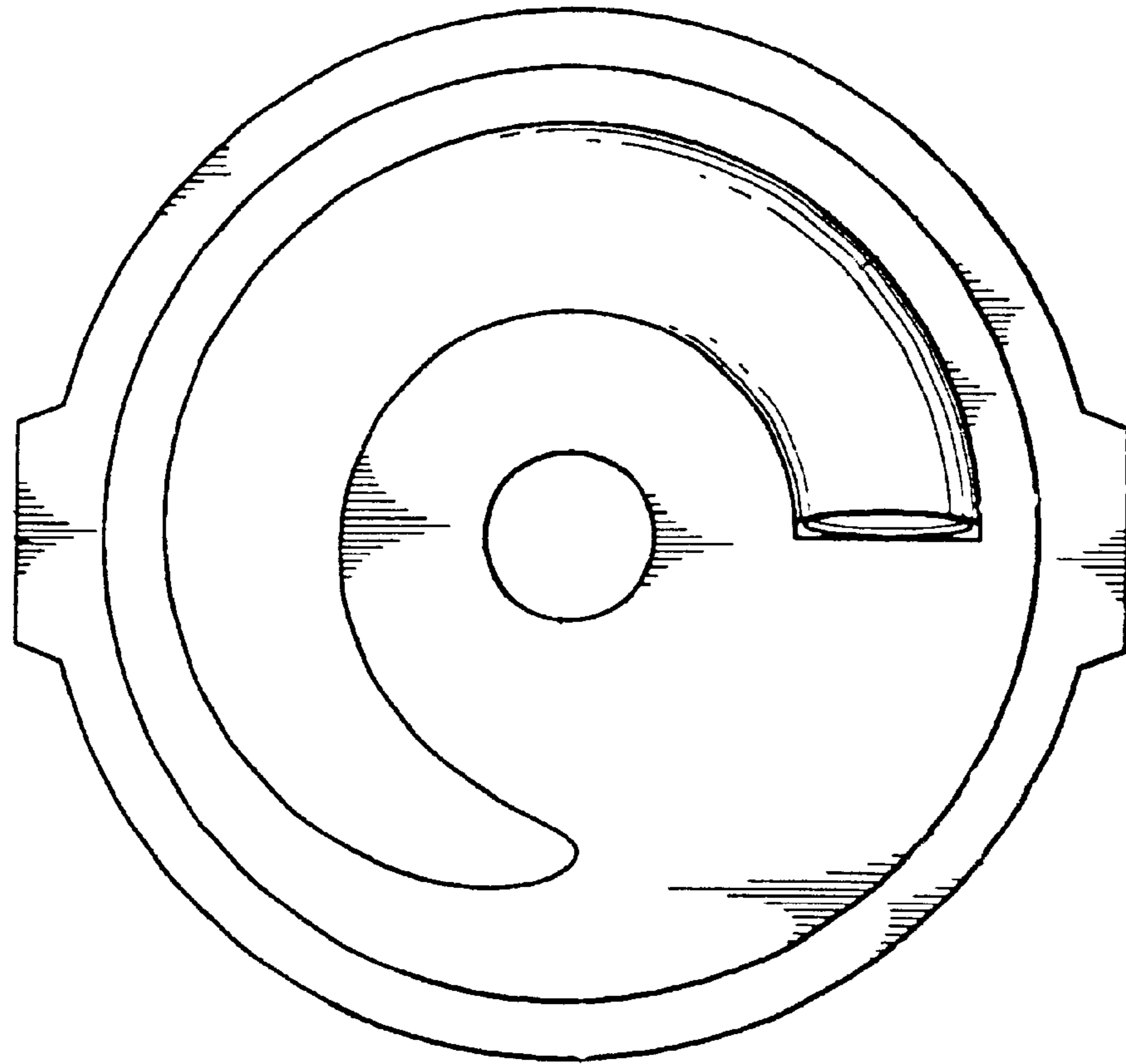
**U.S. PATENT DOCUMENTS**

1,145,047 A	7/1915	Wiedemann et al.	
2,071,975 A	2/1937	Holm-Hansen et al.	
2,684,232 A	7/1954	Caldwell	
D189,743 S *	2/1961	Happe	..... D32/32
D200,526 S	3/1965	Medley	
D200,760 S *	4/1965	Medley	..... D32/31
3,850,816 A	11/1974	Koch	
D242,110 S *	11/1976	Suam	..... D32/31
4,476,608 A	10/1984	Rasmussen	
5,123,945 A	6/1992	Lin	
5,525,396 A	6/1996	Rudolph et al.	
D372,348 S	7/1996	Rudolph et al.	

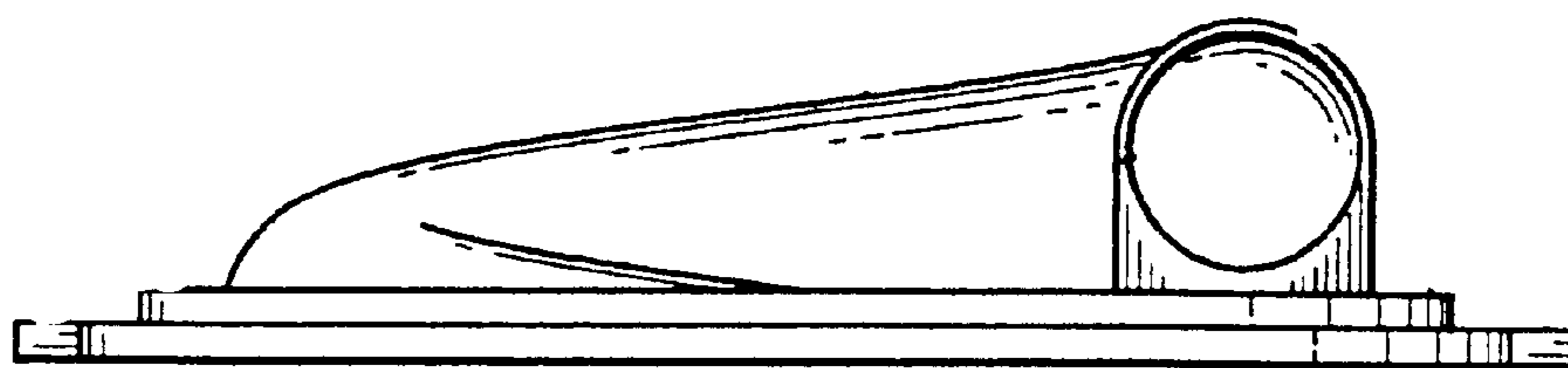




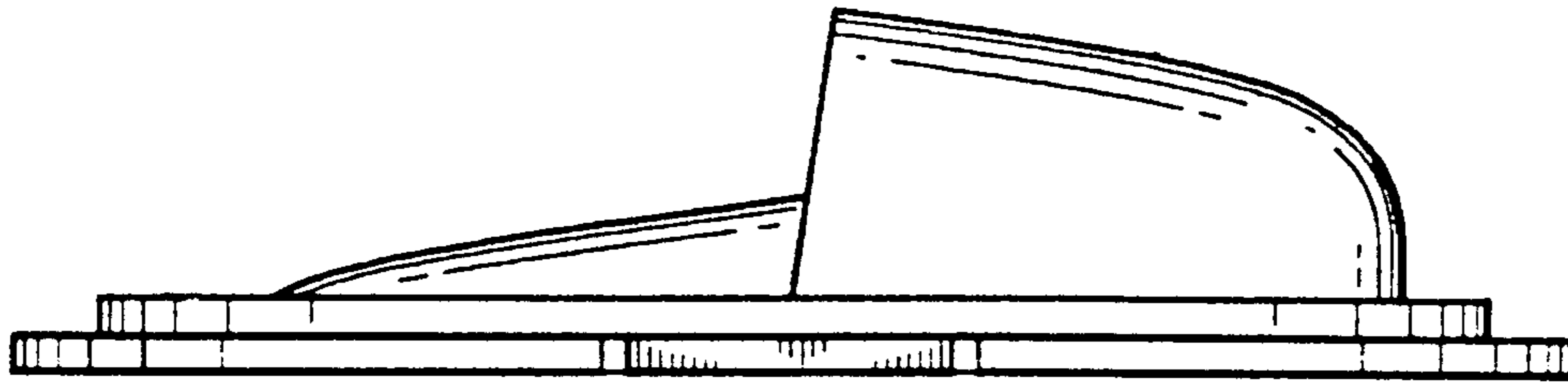
*Fig. 1.*



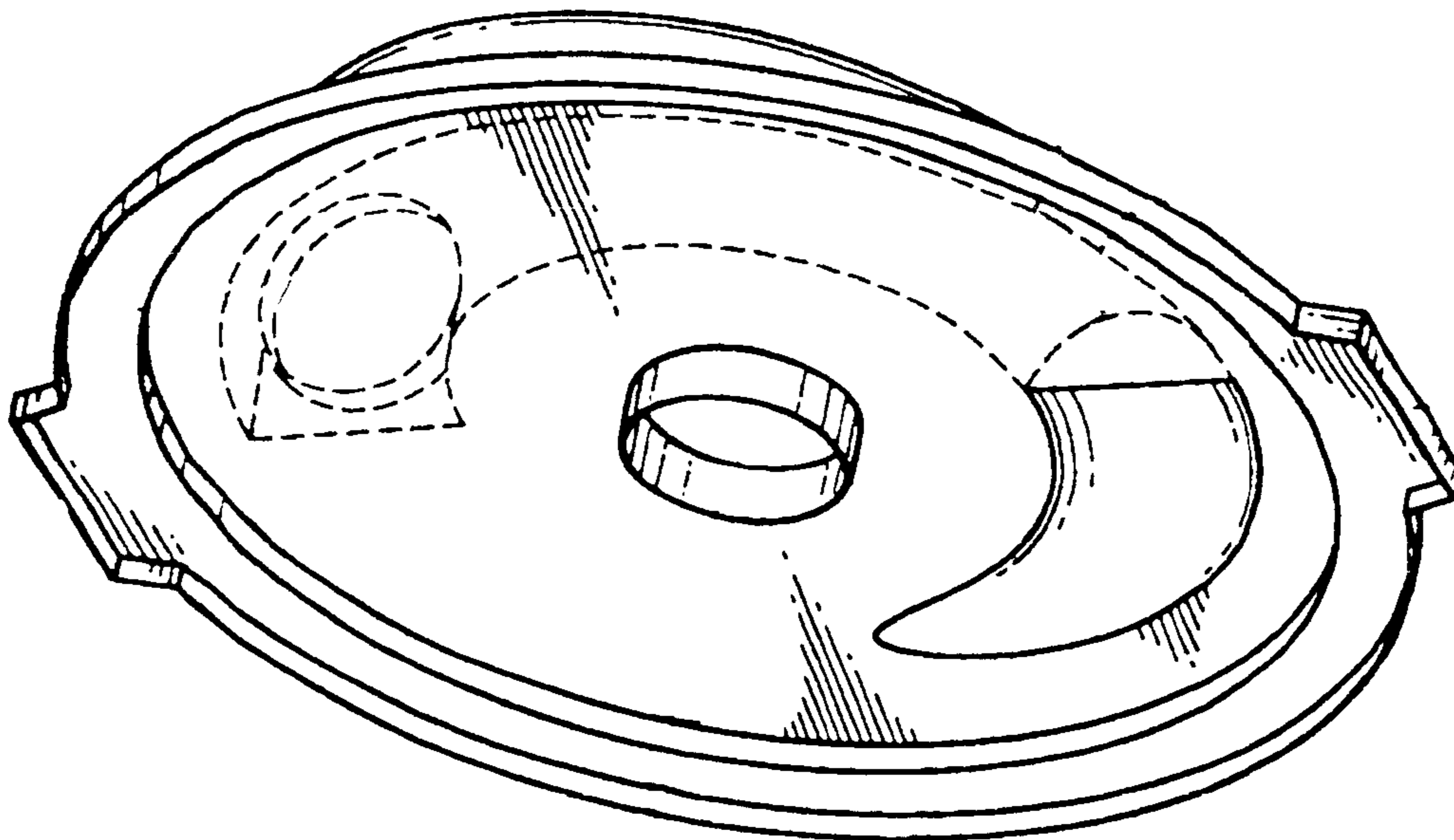
*Fig. 2.*



*Fig. 3.*



*Fig. 4.*



*Fig. 5.*