

US00D495345S1

(12) **United States Design Patent**
Farlow et al.

(10) **Patent No.:** **US D495,345 S**
(45) **Date of Patent:** **** Aug. 31, 2004**

(54) **LARGE ROW CROP TRACTOR HOOD**

Primary Examiner—Mitchell Siegel

(75) Inventors: **Scott Keith Farlow**, Cedar Falls, IA (US); **Dennis Aaron Bowman**, Cedar Falls, IA (US); **Michael Deininger**, Royal Oak, MI (US); **William Edward Crookes**, Ann Arbor, MI (US)

(57) **CLAIM**

The ornamental design for a large row crop tractor hood, as shown and described.

(73) Assignee: **Deere & Company**, Moline, IL (US)

(**) Term: **14 Years**

DESCRIPTION

(21) Appl. No.: **29/195,750**

(22) Filed: **Dec. 17, 2003**

(51) **LOC (7) Cl.** **15-03**

(52) **U.S. Cl.** **D15/31**

(58) **Field of Search** D15/10, 22–26,
D15/28, 31, 33; 180/89.1, 89.12, 900; 296/186,
187, 190, 901; 56/320.1, 320.2, 255

FIG. 1 is a perspective view of a large row crop tractor hood showing our new design.

FIG. 2 is an elevational view of the large row crop tractor hood design of FIG. 1.

FIG. 3 is an enlarged view of the area 2A of the large row crop tractor hood of FIG. 2.

FIG. 4 is a elevational view of the large row crop tractor hood design of FIG. 1.

FIG. 5 is an enlarged view of the area 3A of the large row crop tractor hood of FIG. 3.

FIG. 6 is a plan view of the large row crop tractor hood design of FIG. 1.

FIG. 7 is a bottom view of the large row crop tractor hood design of FIG. 1.

FIG. 8 is an enlarged view of the area 5A of the large row crop tractor hood of FIG. 5.

FIG. 9 is an enlarged view of the area 5B of the large row crop tractor hood of FIG. 5.

FIG. 10 is a front view of the large row crop tractor hood design of FIG. 1.

FIG. 11 is a rear view of the large row crop tractor hood design of FIG. 1.

FIG. 12 is an enlarged view of the area 7A of the large row crop tractor hood of FIG. 7; and,

FIG. 13 is an enlarged view of the area 7B of the large row crop tractor hood of FIG. 7.

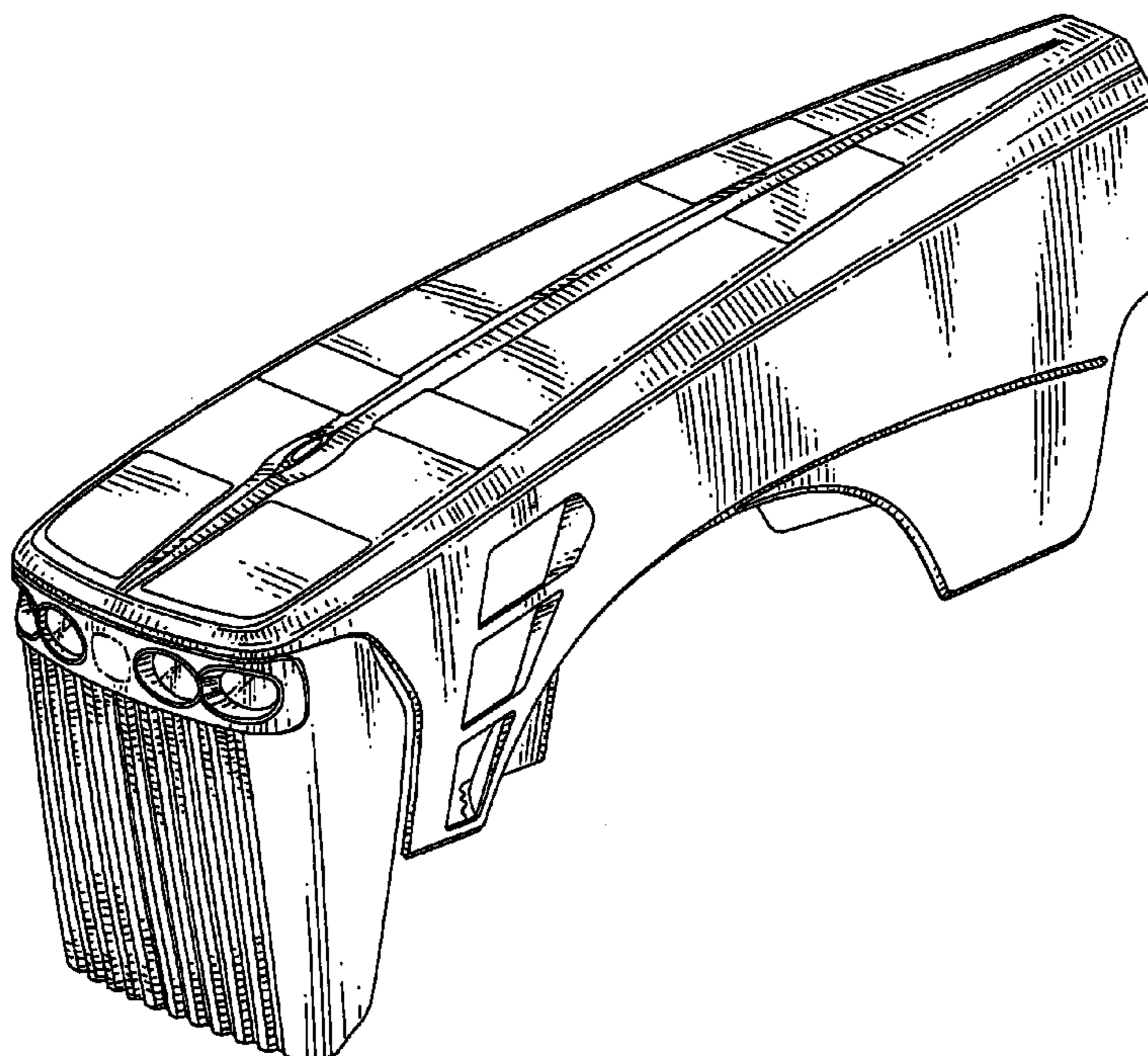
(56) **References Cited**

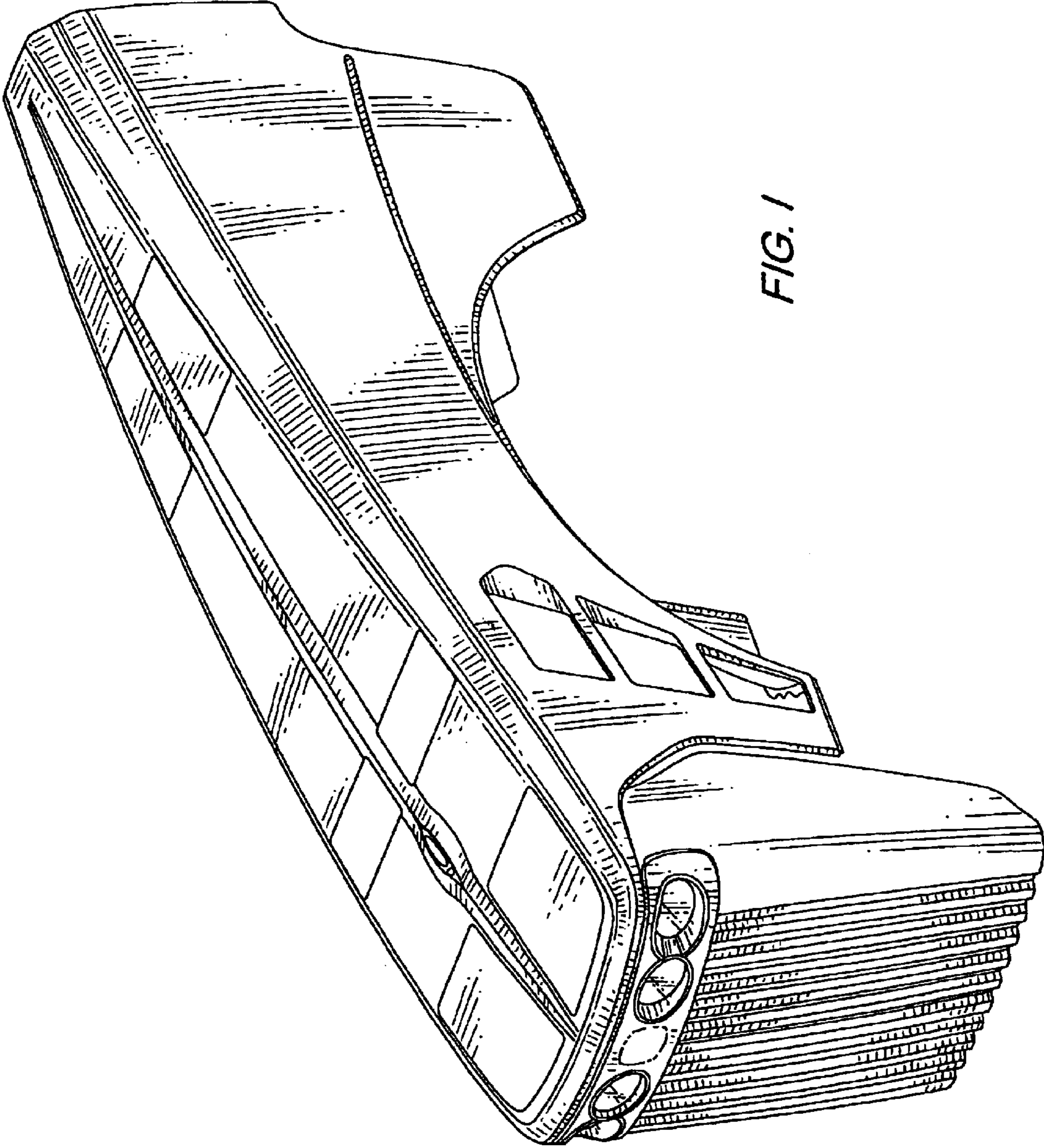
U.S. PATENT DOCUMENTS

D355,423 S	*	2/1995	Woods et al.	D15/23
D371,372 S	*	7/1996	Westimayer et al.	D15/31
D381,341 S	*	7/1997	Goebert et al.	D15/31
D389,492 S	*	1/1998	Schmidt et al.	D15/31
D413,905 S	*	9/1999	Schmidt et al.	D15/31
D419,164 S	*	1/2000	Heiler et al.	D15/31
D439,586 S	*	3/2001	Moehle et al.	D15/33
D451,106 S	*	11/2001	Crookes et al.	D15/31
D458,944 S	*	6/2002	Crookes et al.	D15/31
D466,531 S	*	12/2002	Hohnl et al.	D15/31
D483,383 S	*	12/2003	Crookes et al.	D15/31

* cited by examiner

1 Claim, 7 Drawing Sheets





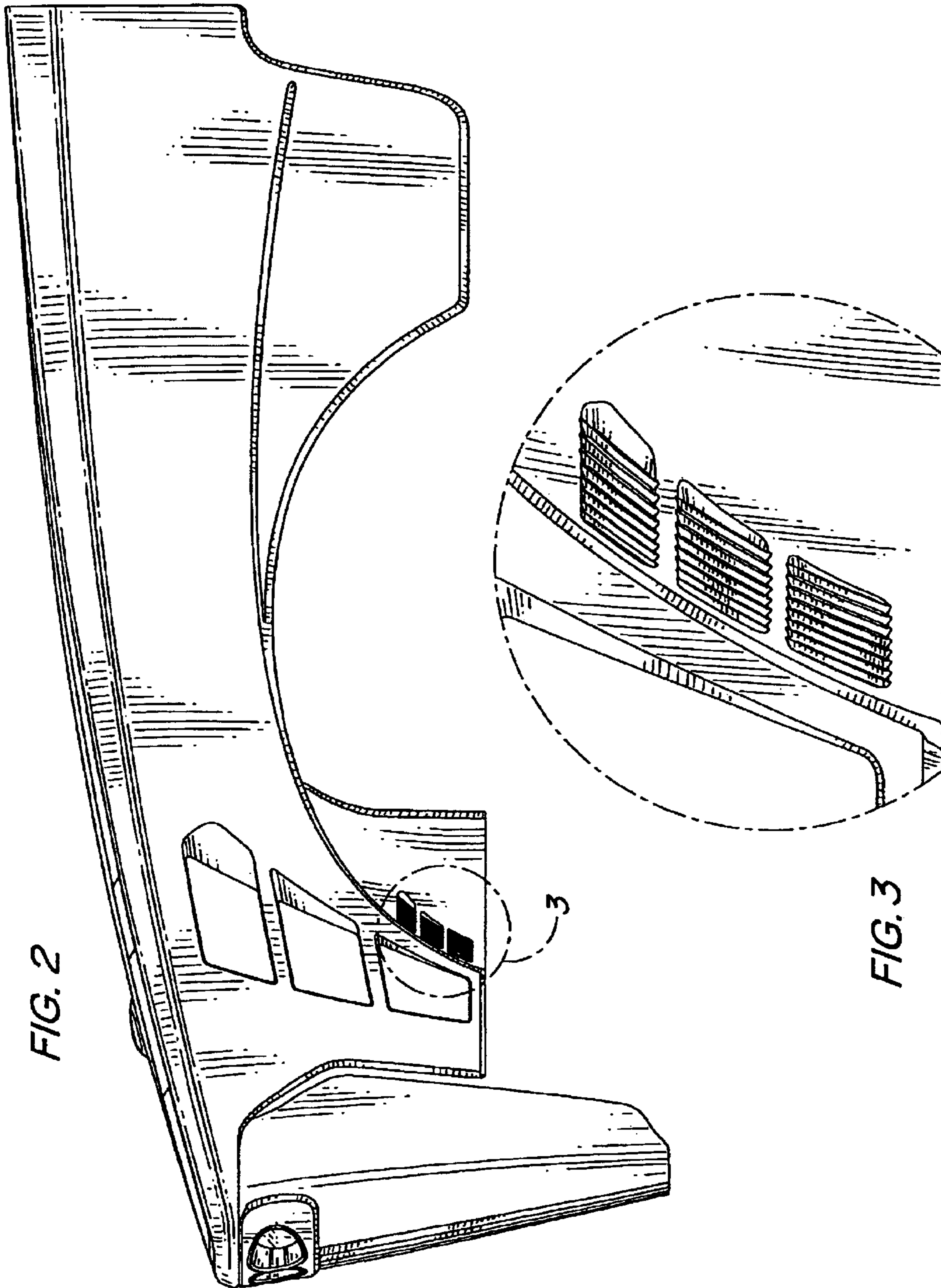
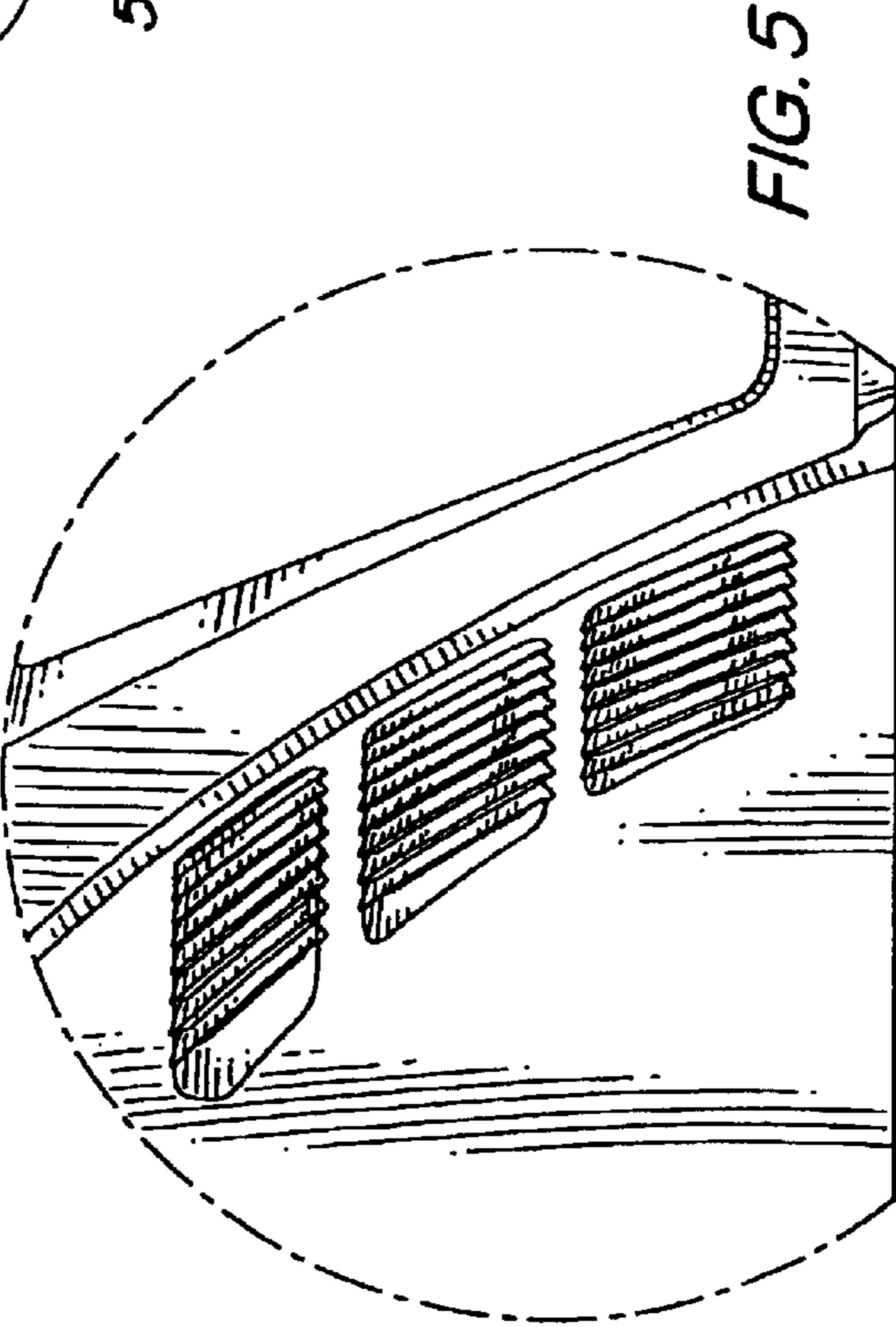
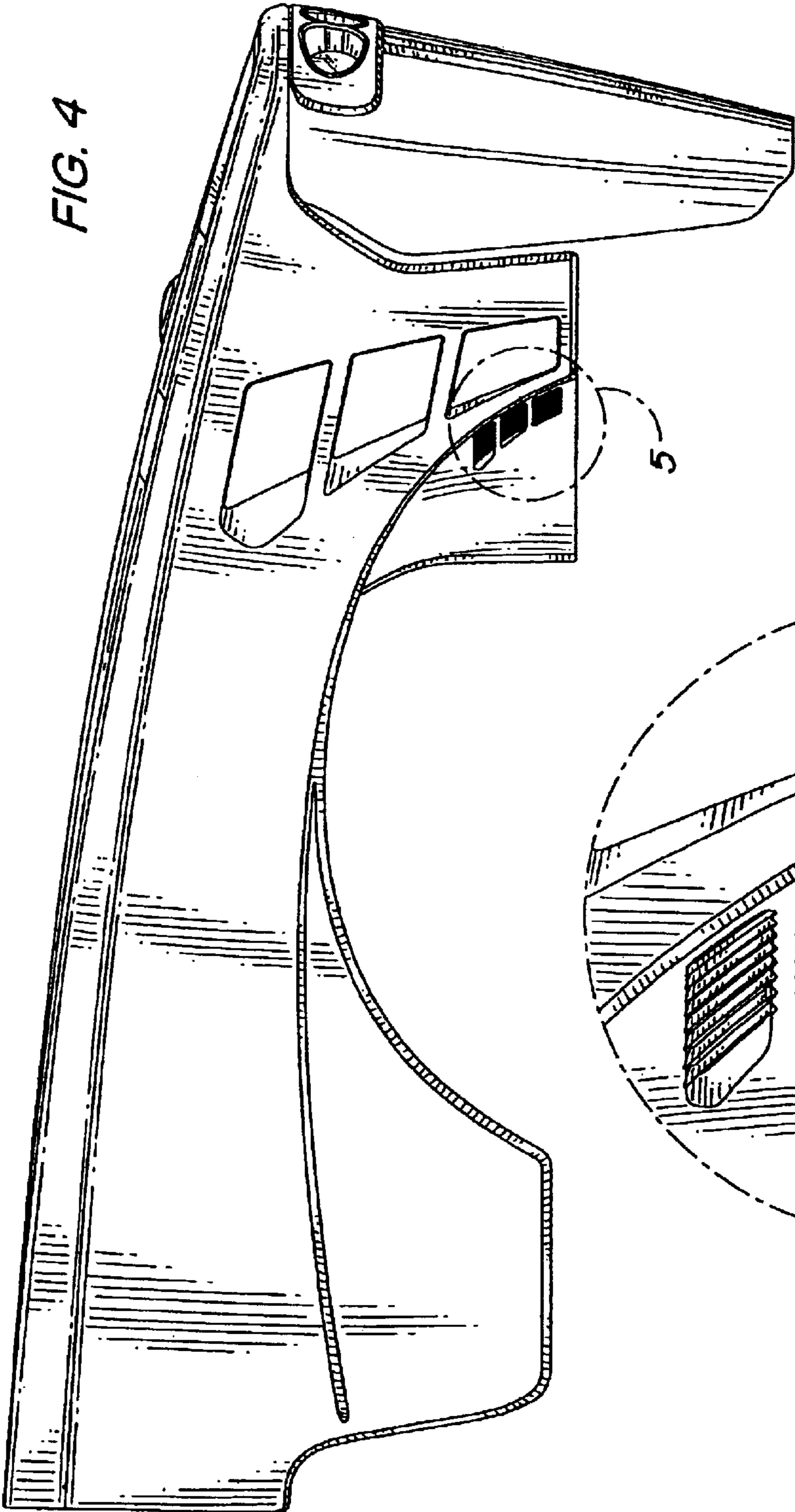


FIG. 2

FIG. 3



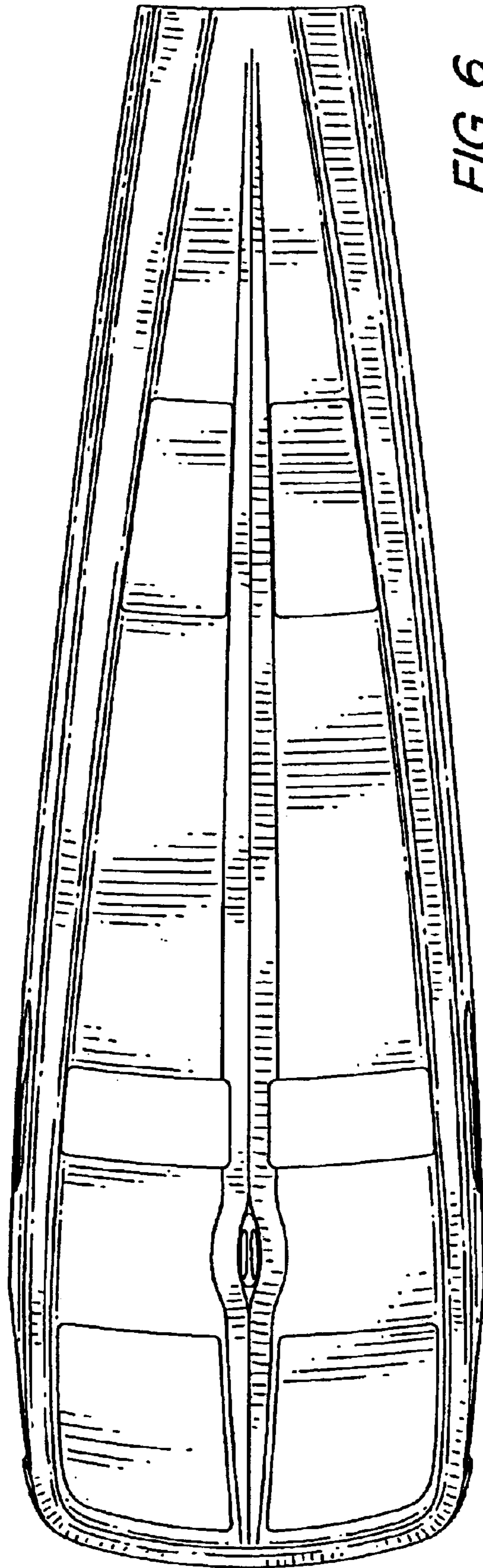


FIG. 6

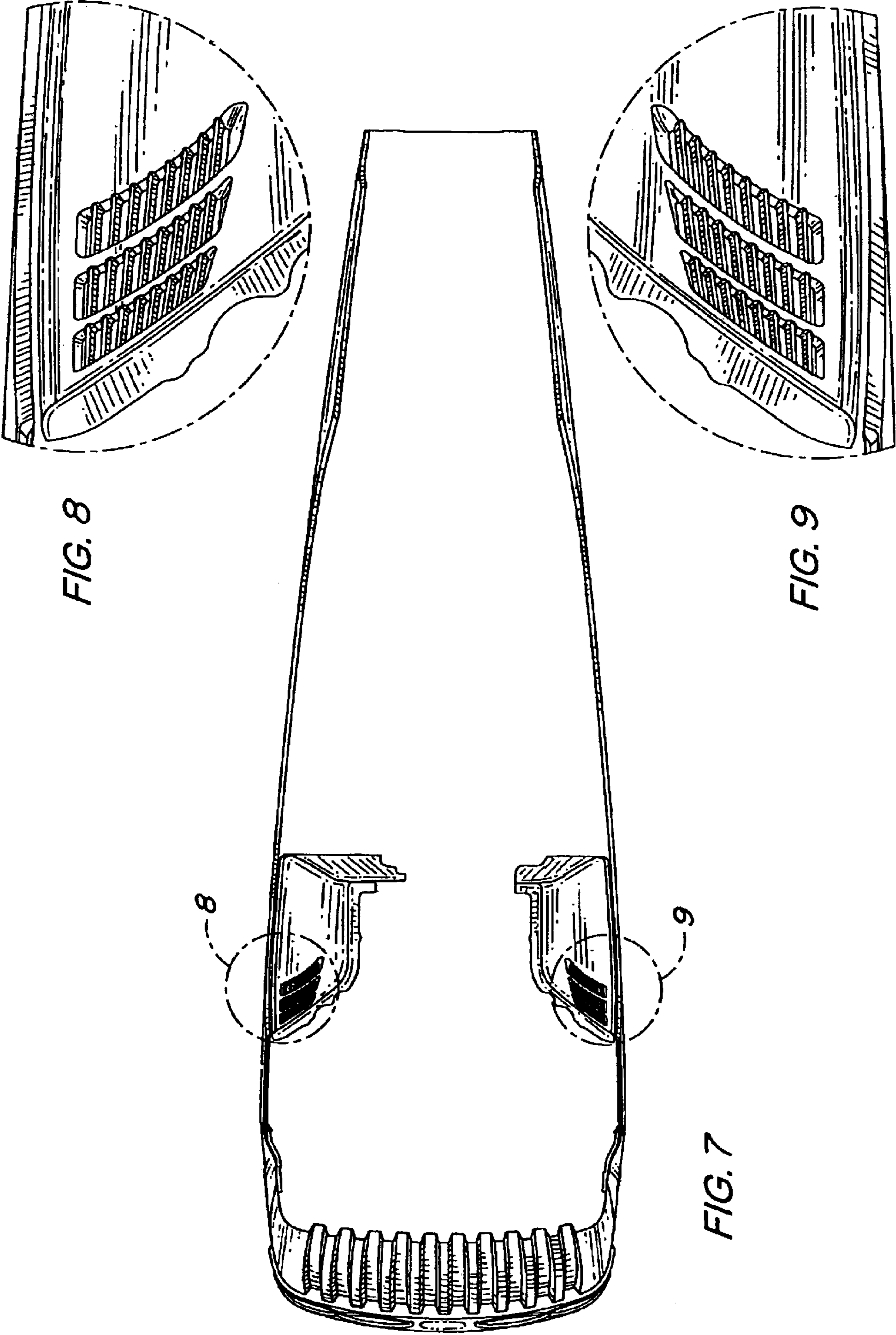


FIG. 8

FIG. 9

FIG. 7

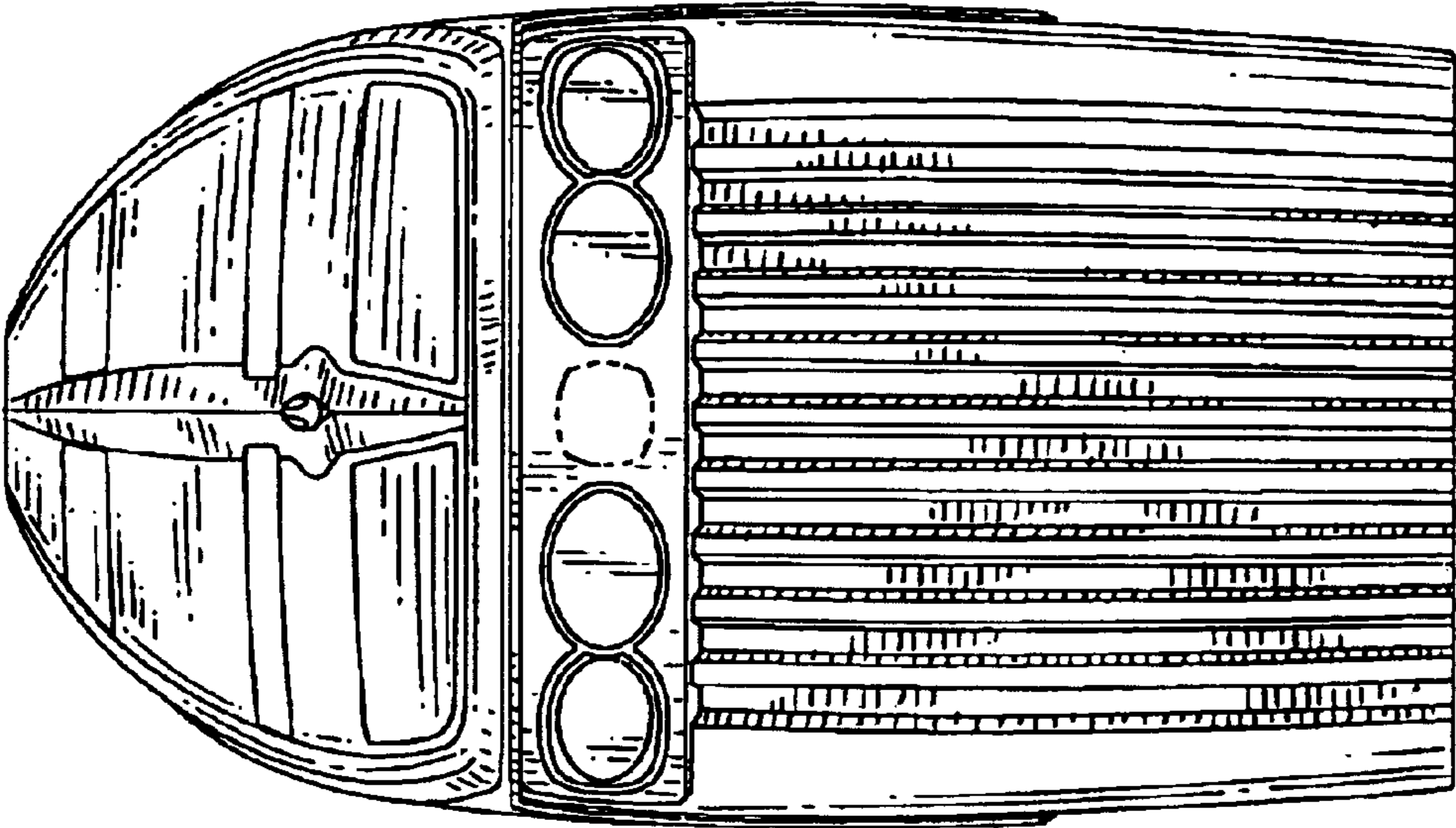


FIG. 10

