

US00D495344S1

(12) **United States Design Patent**  
**Farlow et al.**

(10) **Patent No.:** **US D495,344 S**

(45) **Date of Patent:** **\*\* Aug. 31, 2004**

(54) **LARGE ROW CROP TRACTOR HOOD**

(75) Inventors: **Scott Keith Farlow**, Cedar Falls, IA (US); **Dennis Aaron Bowman**, Cedar Falls, IA (US); **Michael Deininger**, Royal Oak, MI (US); **William Edward Crookes**, Ann Arbor, MI (US)

(73) Assignee: **Deere & Company**, Moline, IL (US)

(\*\*) Term: **14 Years**

(21) Appl. No.: **29/195,749**

(22) Filed: **Dec. 17, 2003**

(51) **LOC (7) Cl.** ..... **15-03**

(52) **U.S. Cl.** ..... **D15/31**

(58) **Field of Search** ..... D15/10, 22-26,  
D15/28, 31, 33; 180/89.1, 89.12, 900; 296/186,  
187, 190, 901; 56/320.1, 320.2, 255

(56) **References Cited**

**U.S. PATENT DOCUMENTS**

D355,423 S	*	2/1995	Woods et al.	.....	D15/23
D371,372 S	*	7/1996	Westimayer et al.	.....	D15/31
D381,341 S	*	7/1997	Goebert et al.	.....	D15/31
D389,492 S	*	1/1998	Schmidt et al.	.....	D15/31
D413,905 S	*	9/1999	Schmidt et al.	.....	D15/31
D419,164 S	*	1/2000	Heiler et al.	.....	D15/31

D439,586 S	*	3/2001	Moehle et al.	.....	D15/33
D451,106 S	*	11/2001	Crookes et al.	.....	D15/31
D458,944 S	*	6/2002	Crookes et al.	.....	D15/31
D466,531 S	*	12/2002	Hohnl et al.	.....	D15/31
D483,383 S	*	12/2003	Crookes et al.	.....	D15/31

\* cited by examiner

*Primary Examiner*—Mitchell Siegel

(57) **CLAIM**

The ornamental design for a large row crop tractor hood, as shown and described.

**DESCRIPTION**

FIG. 1 is a perspective view of a large row crop tractor hood showing our new design.

FIG. 2 is an elevational view of the large row crop tractor hood design of FIG. 1.

FIG. 3 is a elevational view of the large row crop tractor hood design of FIG. 1.

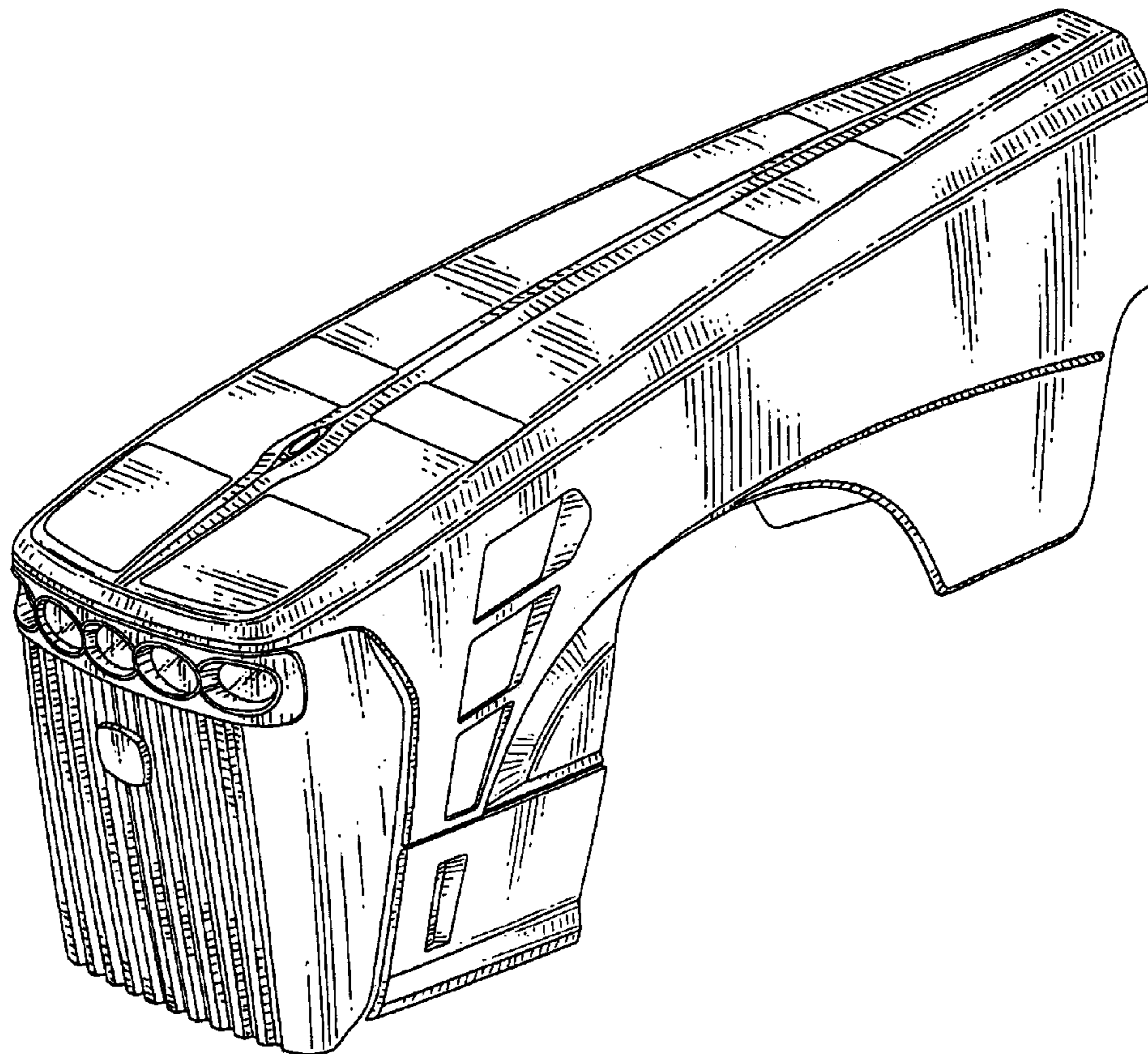
FIG. 4 is a plan view of the large row crop tractor hood design of FIG. 1.

FIG. 5 is a bottom view of the large row crop tractor hood design of FIG. 1.

FIG. 6 is a front view of the large row crop tractor hood design of FIG. 1; and,

FIG. 7 is a rear view of the large row crop tractor hood design of FIG. 1.

**1 Claim, 5 Drawing Sheets**



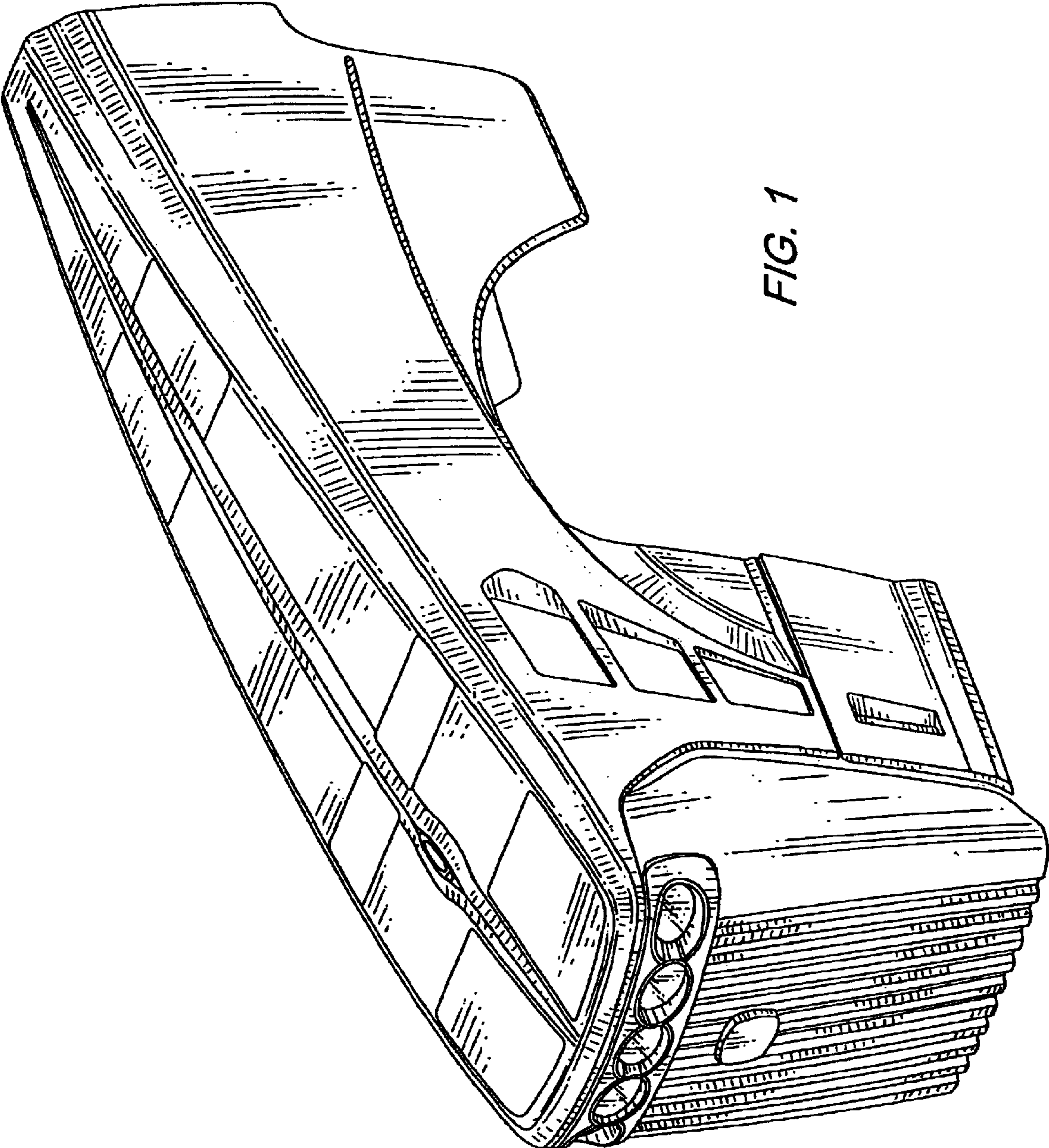


FIG. 1

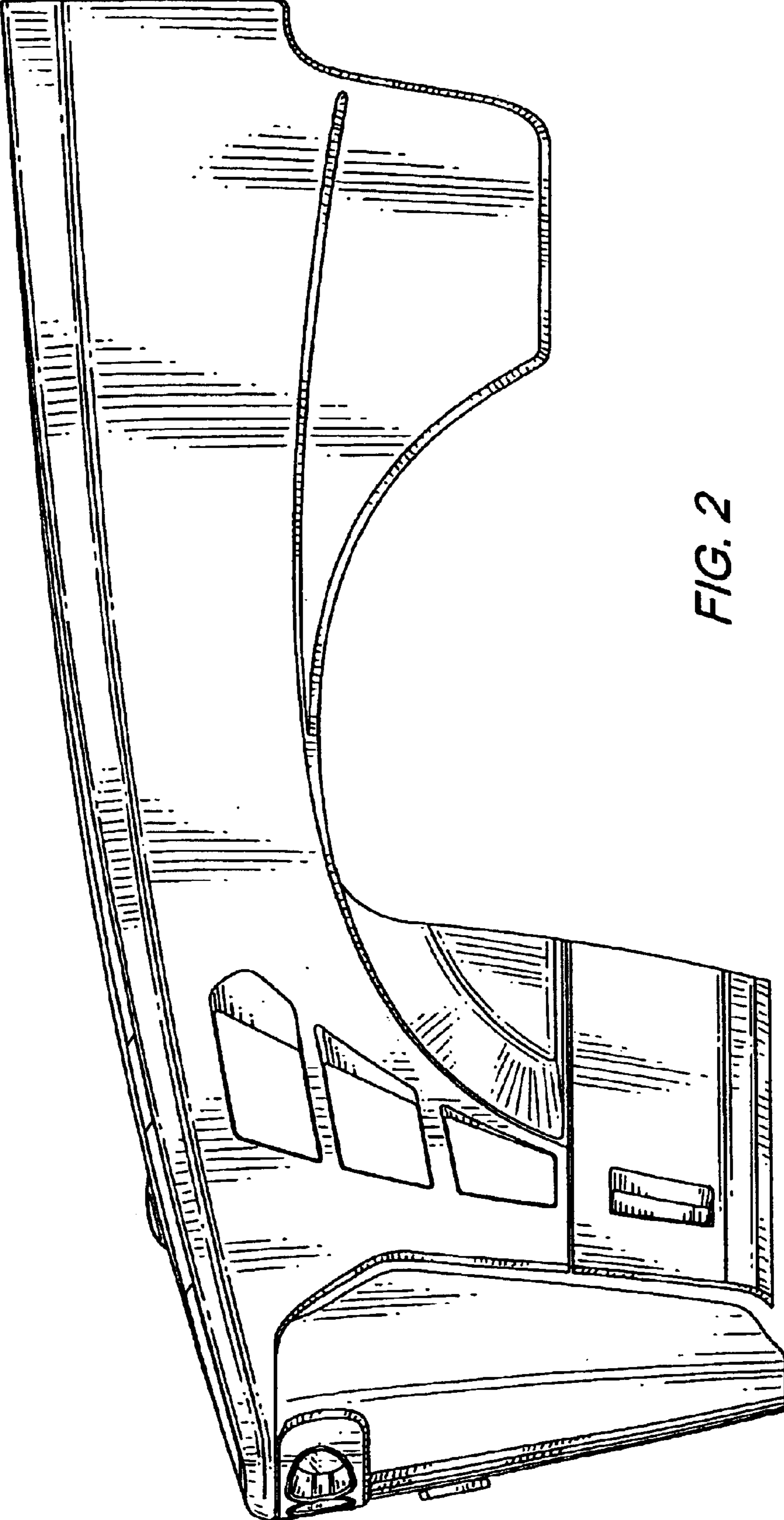


FIG. 2

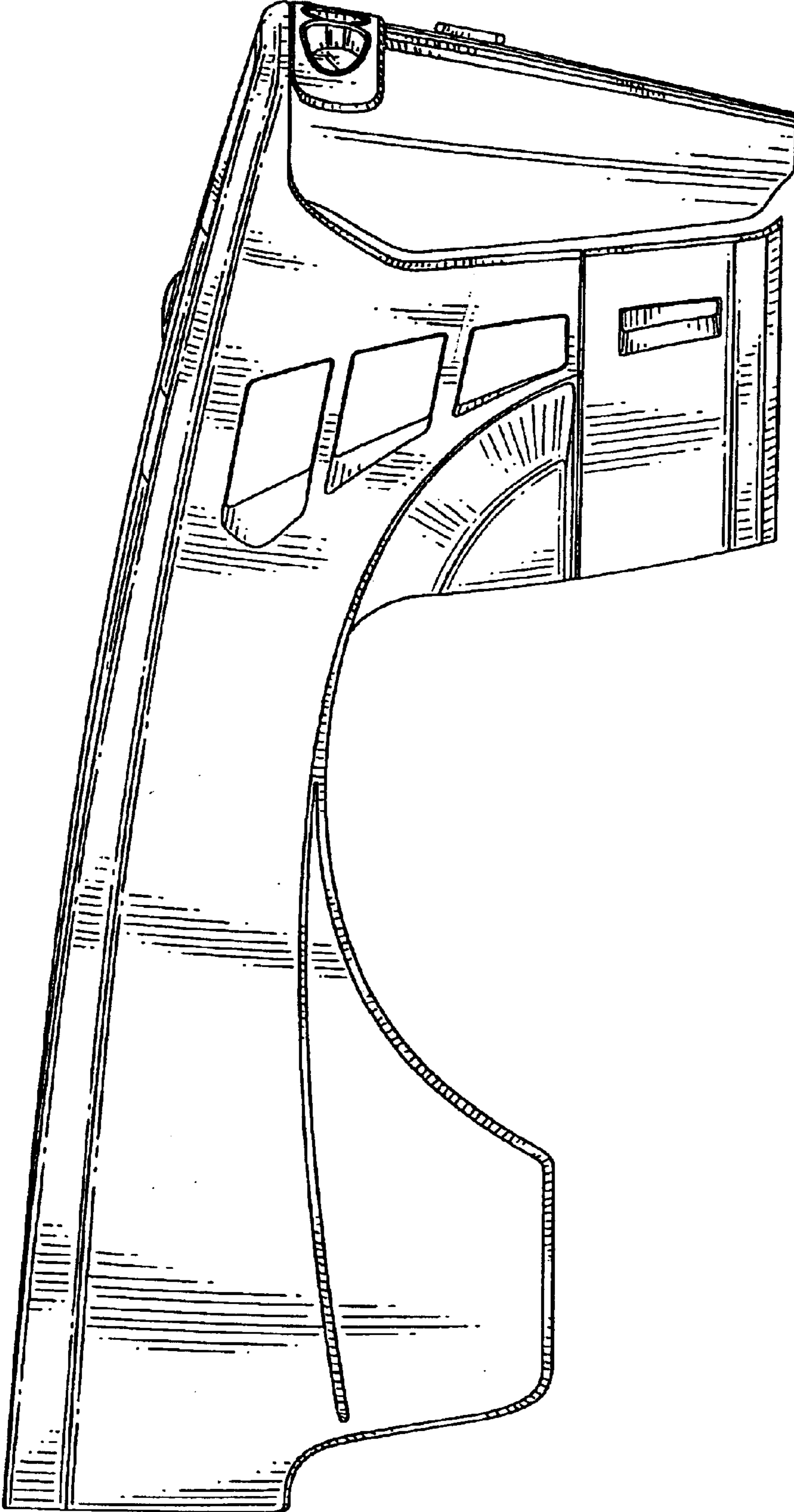


FIG. 3

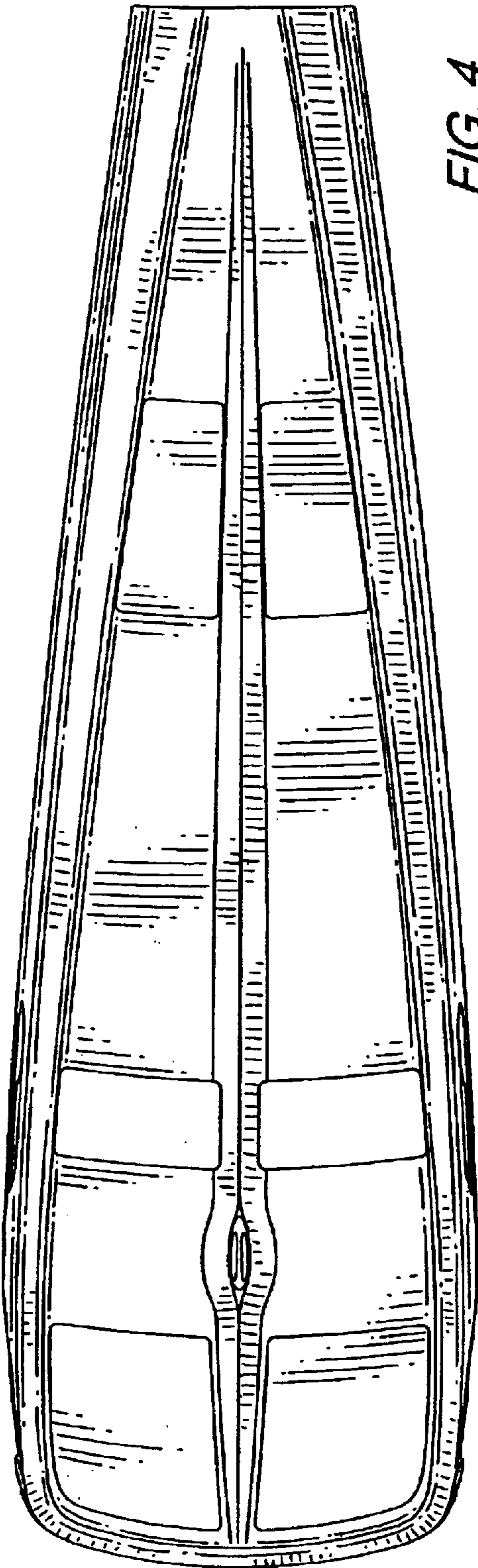


FIG. 4

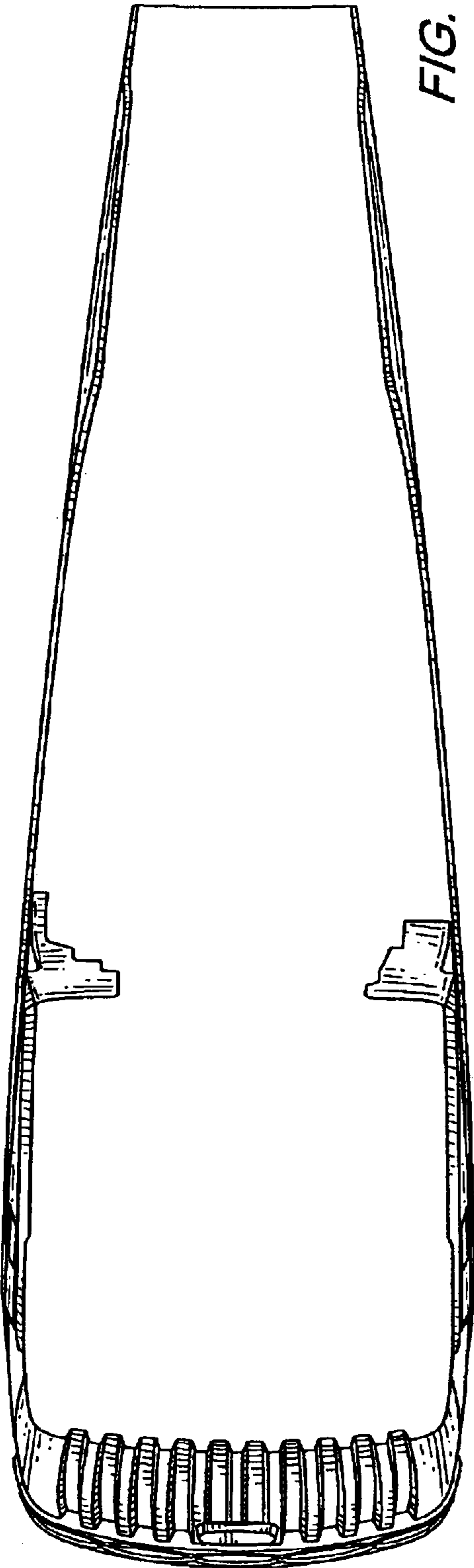


FIG. 5

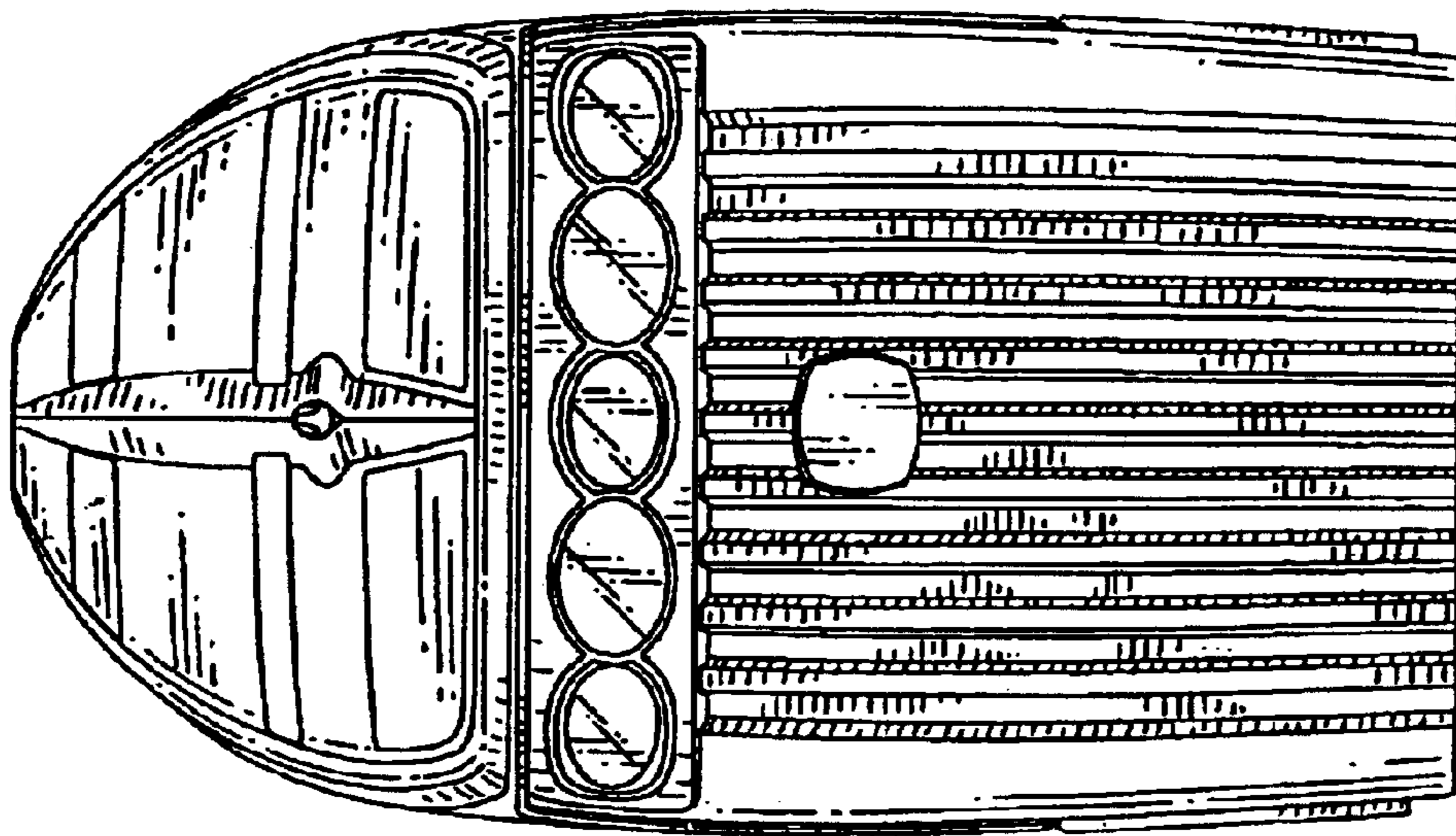


FIG. 6

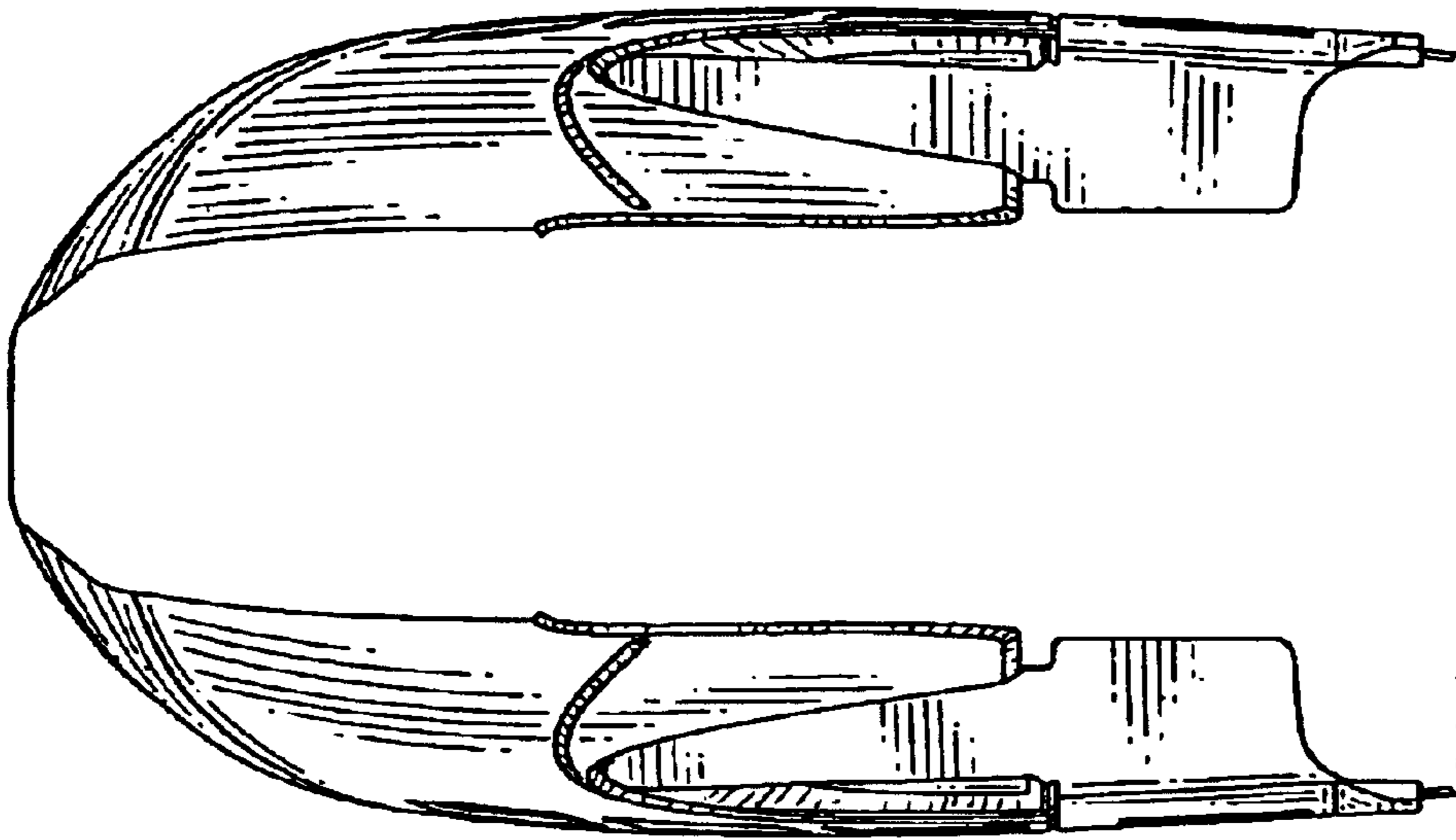


FIG. 7