

US00D495343S1

(12) **United States Design Patent**
Tomazevic

(10) **Patent No.:** **US D495,343 S**

(45) **Date of Patent:** **** Aug. 31, 2004**

(54) **HANDLE AND MOTOR HOUSING FOR A MIXER**

D421,616 S * 3/2000 Shimizu D15/147
D477,331 S * 7/2003 Tsai D15/19

(75) **Inventor:** **Anton Tomazevic, Besnica (SI)**

* cited by examiner

(73) **Assignee:** **Perles Elektrowerkzeuge + Motoren AG, Pieterlen Schweiz (CH)**

Primary Examiner—Mitchell Siegel

(74) *Attorney, Agent, or Firm*—Charles E. Baxley

(**) **Term:** **14 Years**

(57) **CLAIM**

I claim the design for a handle and motor housing for a mixer, as shown and described.

(21) **Appl. No.:** **29/189,168**

(22) **Filed:** **Aug. 28, 2003**

DESCRIPTION

(51) **LOC (7) Cl.** **15-03**

(52) **U.S. Cl.** **D15/19**

(58) **Field of Search** D15/10, 19, 28,
D15/147; 366/48.28, 47.31, 57, 60, 47,
48, 63, 185, 228, 232; 241/69, 101.8, 180,
181

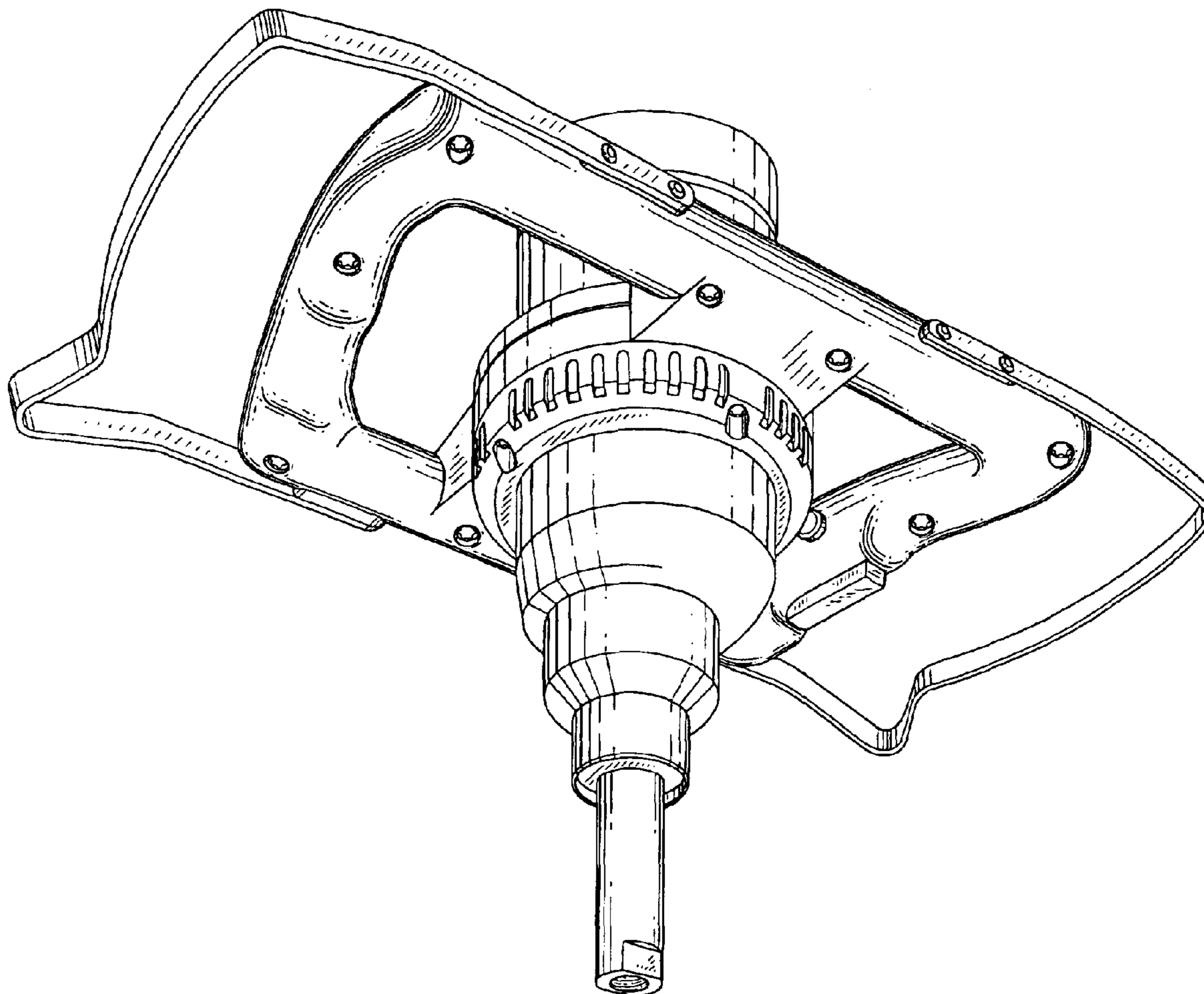
FIG. 1 is a front downward right-sided perspective view of the handle and motor according to my design, FIG. 2 is a front elevational view thereof, FIG. 3 is a rear elevational view thereof, FIG. 4 is a left elevational view thereof, FIG. 5 is a right elevational view thereof, FIG. 6 is a bottom plan view thereof; and, FIG. 7 is a top plan view thereof.

(56) **References Cited**

U.S. PATENT DOCUMENTS

4,705,222 A * 11/1987 Shoet 241/69

1 Claim, 6 Drawing Sheets



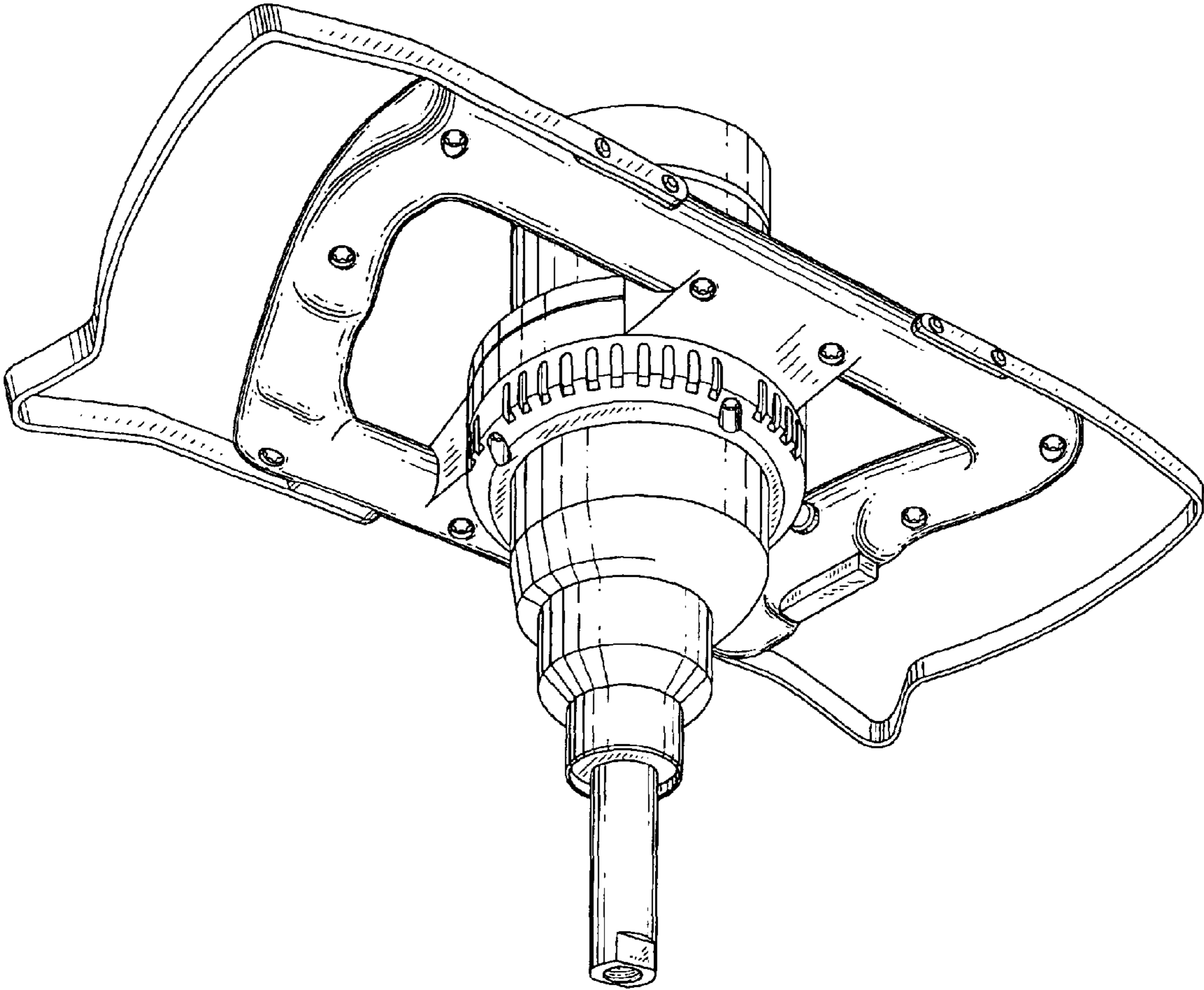


FIG. 1

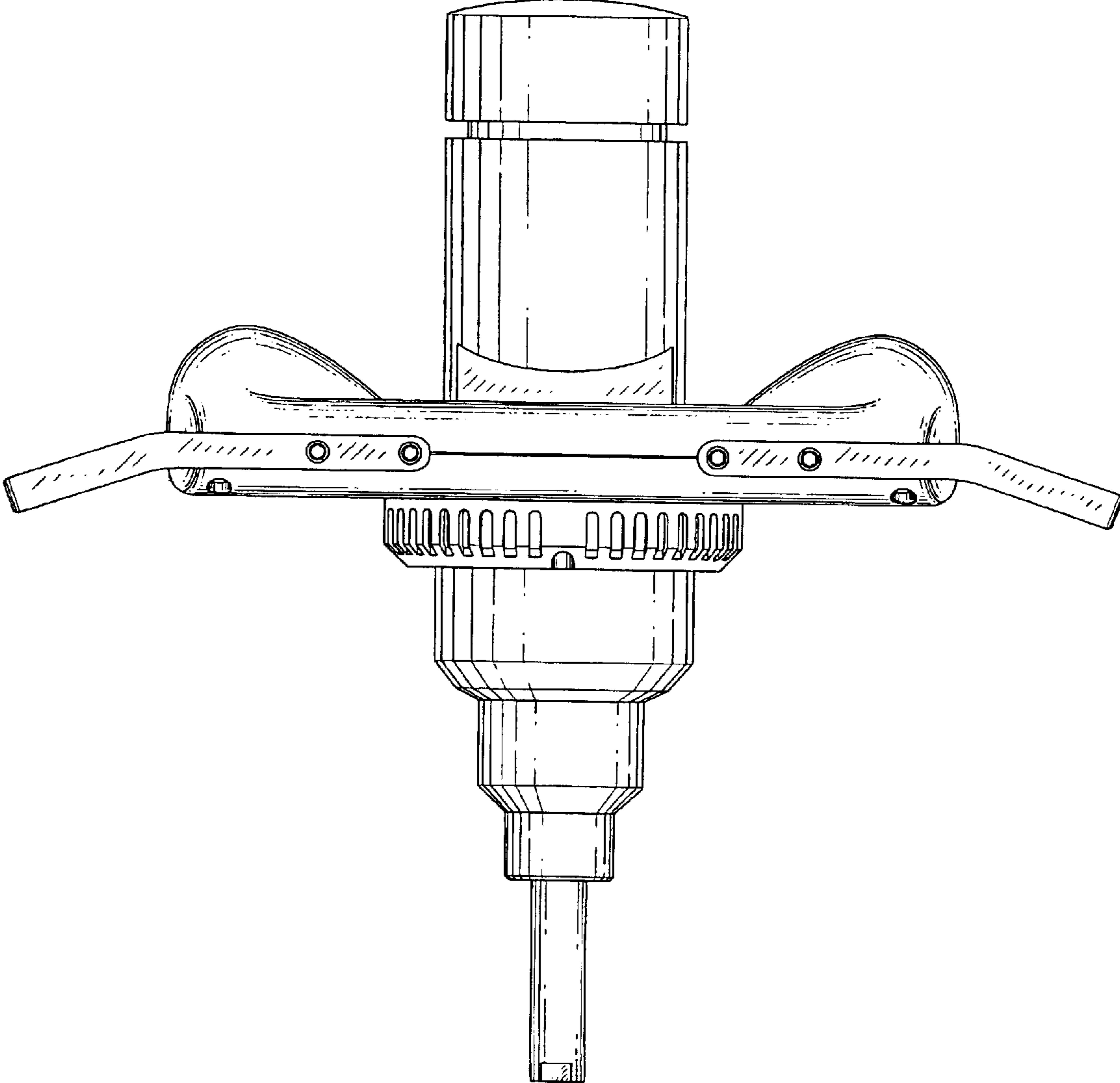


FIG. 2

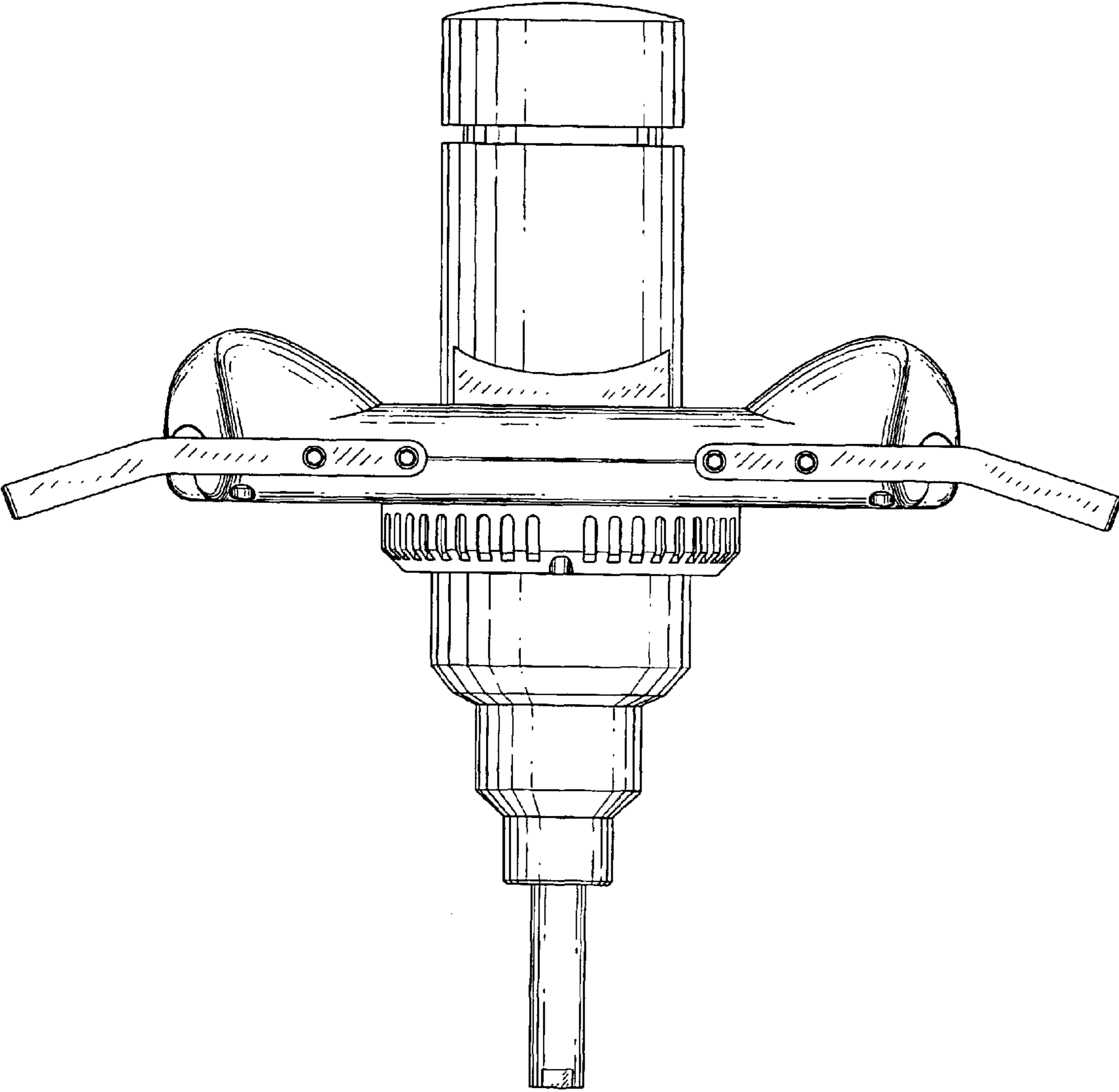


FIG. 3

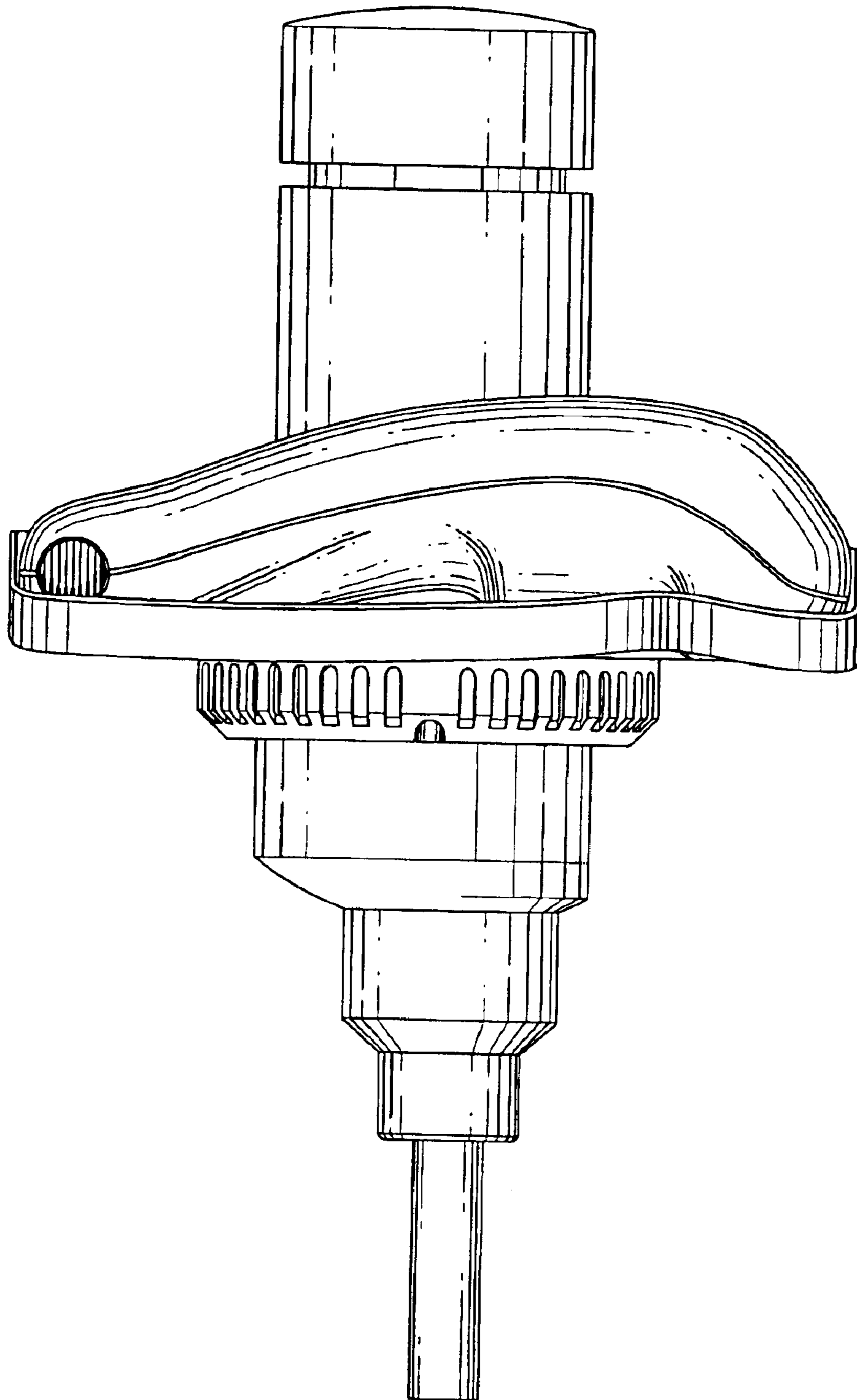


FIG. 4

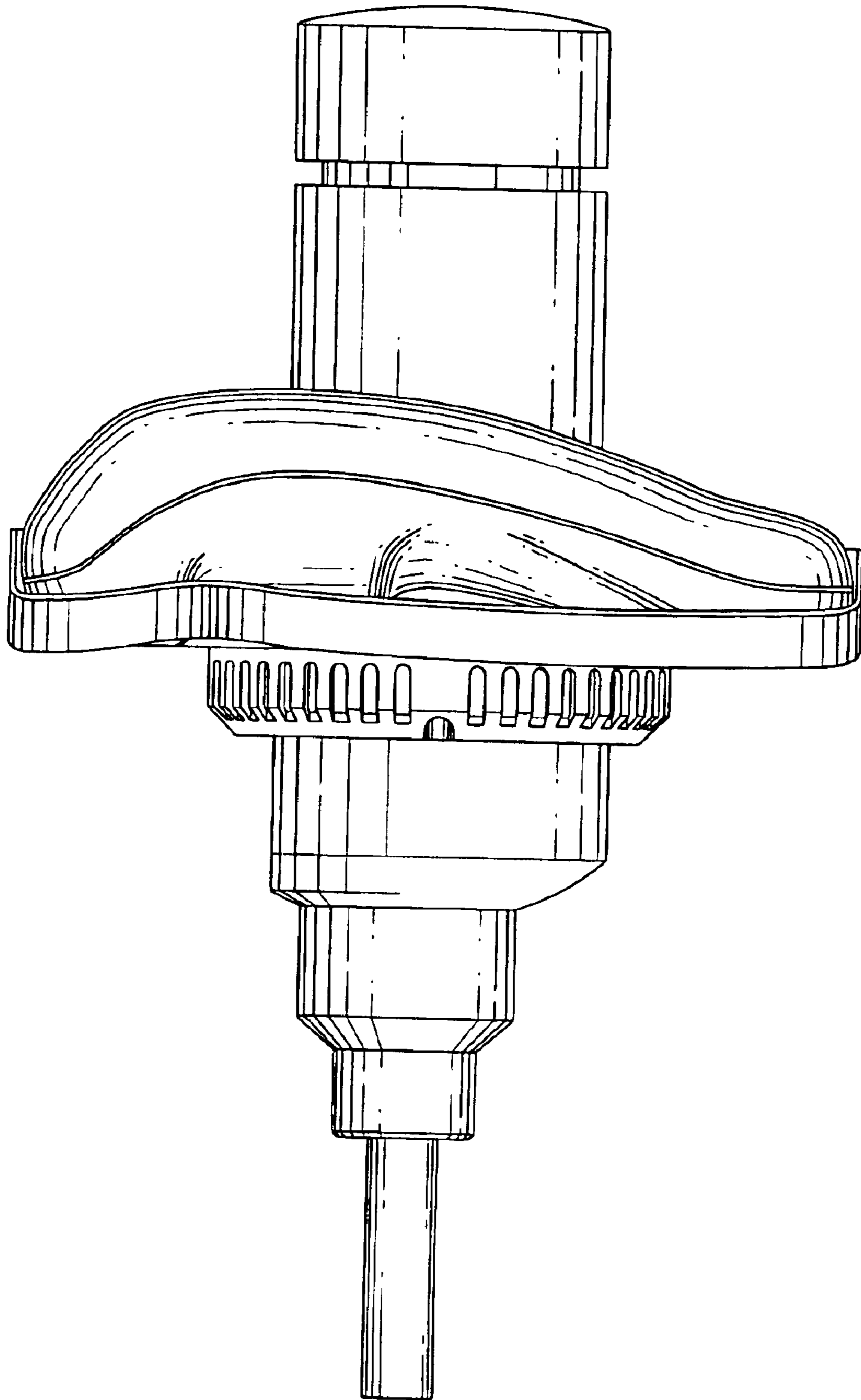


FIG. 5

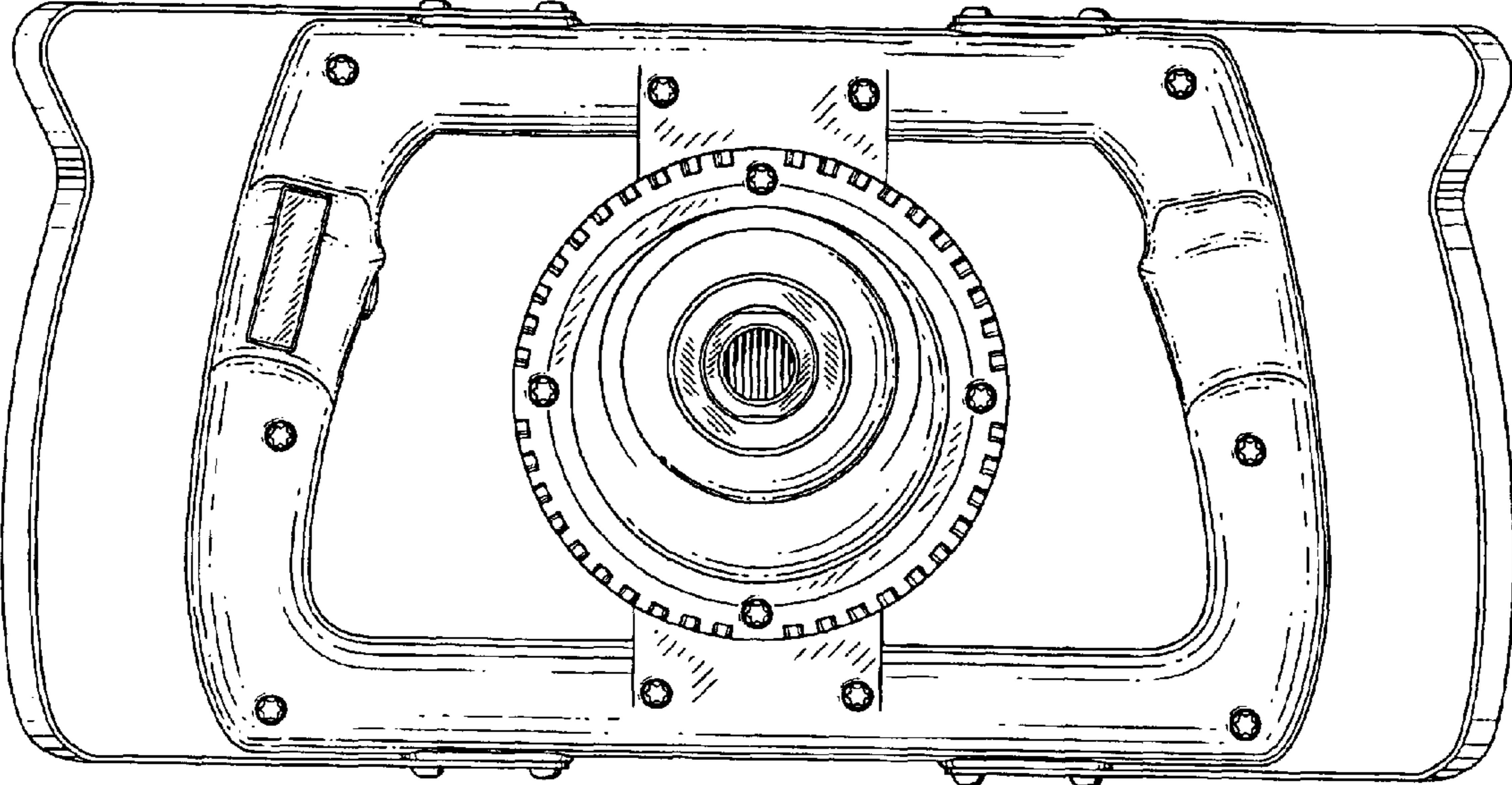


FIG. 6

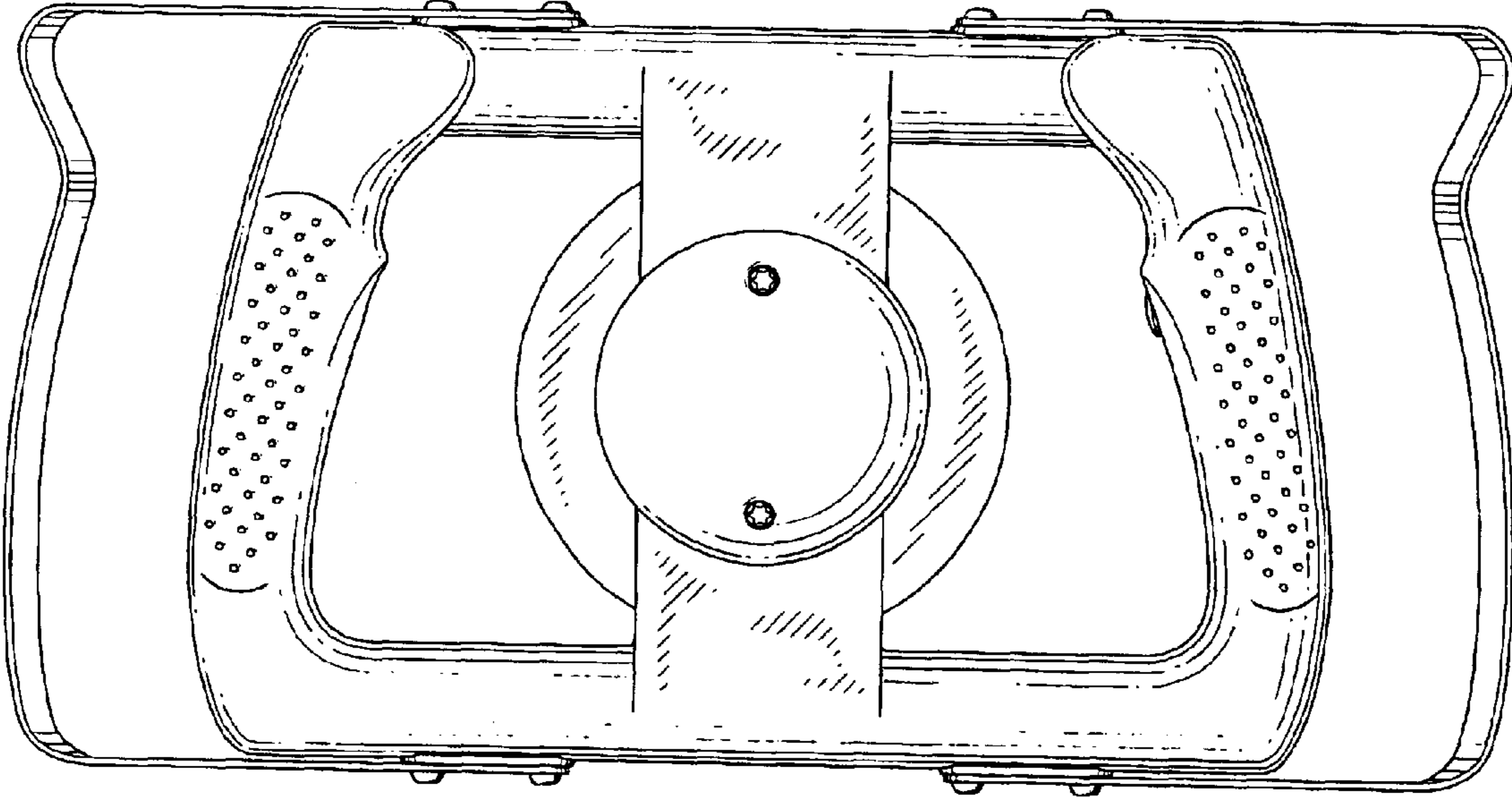


FIG. 7