

US00D495342S1

(12) **United States Design Patent**  
Tojo et al.

(10) **Patent No.: US D495,342 S**  
(45) **Date of Patent: \*\* Aug. 31, 2004**

(54) **RECIPROCATING PUMP**

(75) Inventors: **Nobuo Tojo, Togane (JP); Toshiaki Ohnishi, Togane (JP)**

(73) Assignee: **Maruyama Mfg. Co., Inc., Tokyo (JP)**

(\*\*) Term: **14 Years**

(21) Appl. No.: **29/176,635**

(22) Filed: **Feb. 27, 2003**

(30) **Foreign Application Priority Data**

Sep. 24, 2002 (JP) ..... D2002-026068

(51) **LOC (7) Cl. .... 15-02**

(52) **U.S. Cl. .... D15/7**

(58) **Field of Search** ..... D15/7-9; 417/321,  
417/410, 413.1, 415, 423.3, 486, 521, 534;  
415/148

(56) **References Cited**

**U.S. PATENT DOCUMENTS**

D263,302 S	*	3/1982	Terajima et al. ....	D15/7
D328,304 S	*	7/1992	Frohn et al. ....	D15/7
D354,495 S	*	1/1995	Tojo .....	D15/7
D372,034 S	*	7/1996	Handzel et al. ....	D15/7

\* cited by examiner

*Primary Examiner—Ralf Seifert*

(74) *Attorney, Agent, or Firm—Leydig, Voit & Mayer, Ltd.*

(57) **CLAIM**

The ornamental design for a reciprocating pump, as described and shown.

**DESCRIPTION**

FIG. 1 is a frontside perspective view of a reciprocating pump of the present invention.

FIG. 2 is a left side view of the reciprocating pump of FIG. 1.

FIG. 3 is a right side view of the reciprocating pump of FIG. 1.

FIG. 4 is a top view of the reciprocating pump of FIG. 1.

FIG. 5 is a bottom view of the reciprocating pump of FIG. 1.

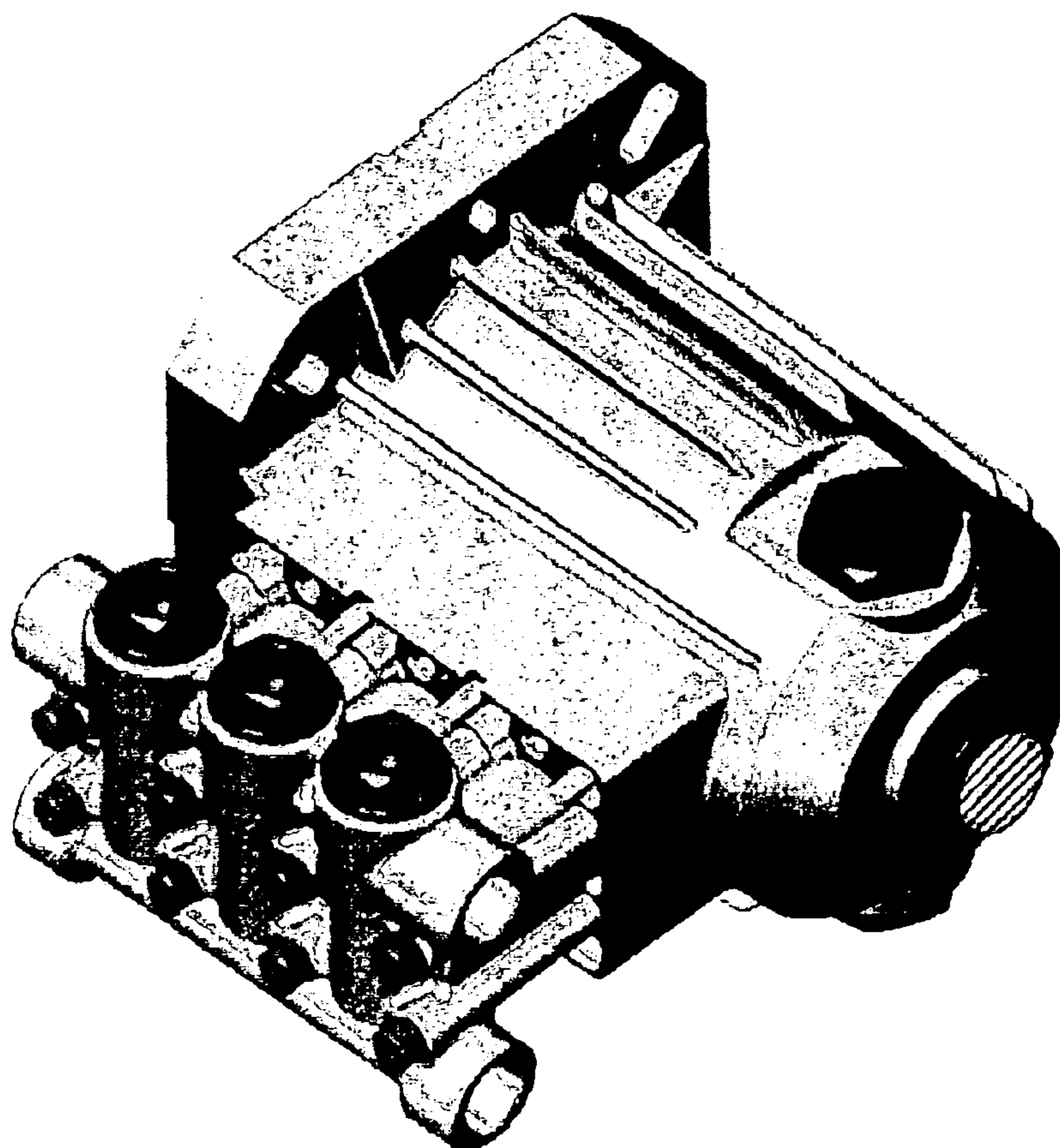
FIG. 6 is a front view of a reciprocating pump of FIG. 1.

FIG. 7 is a rear view of the reciprocating pump of FIG. 1.

FIG. 8 is a rearside perspective view of the reciprocating pump of FIG. 1; and,

FIG. 9 is a frontside perspective view of a reciprocating pump of the present invention.

**1 Claim, 5 Drawing Sheets**



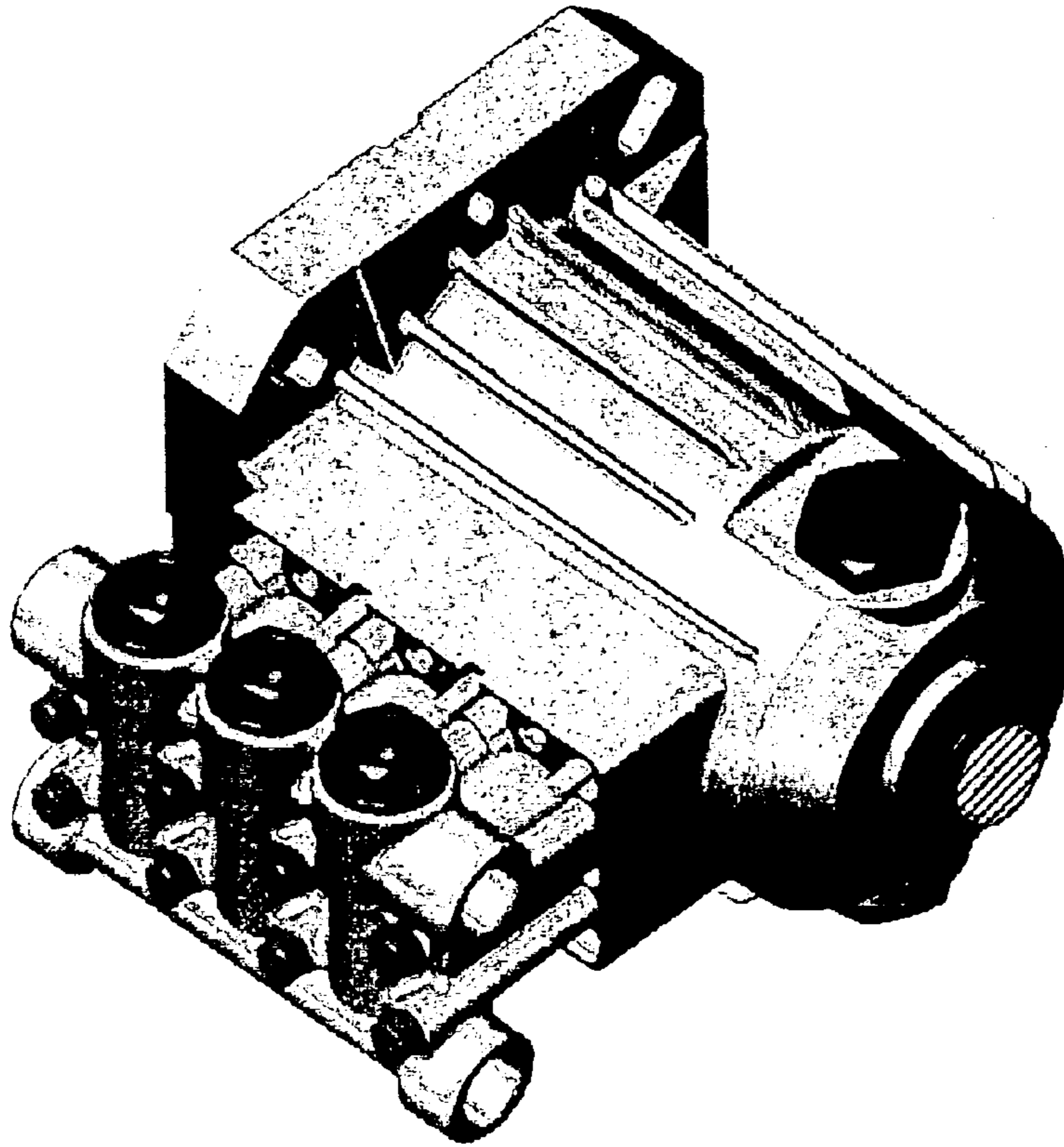


FIG. 1

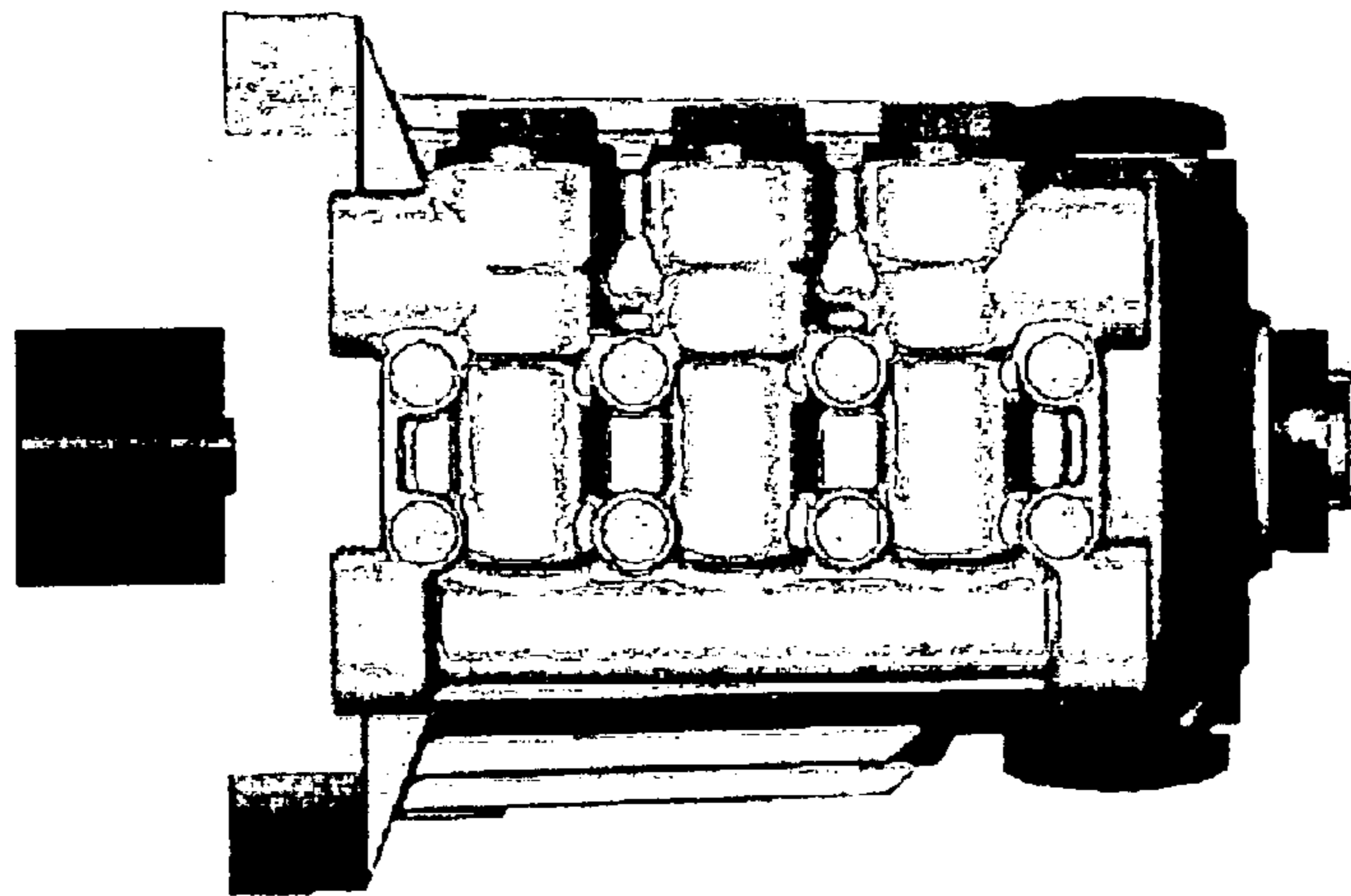


FIG. 2

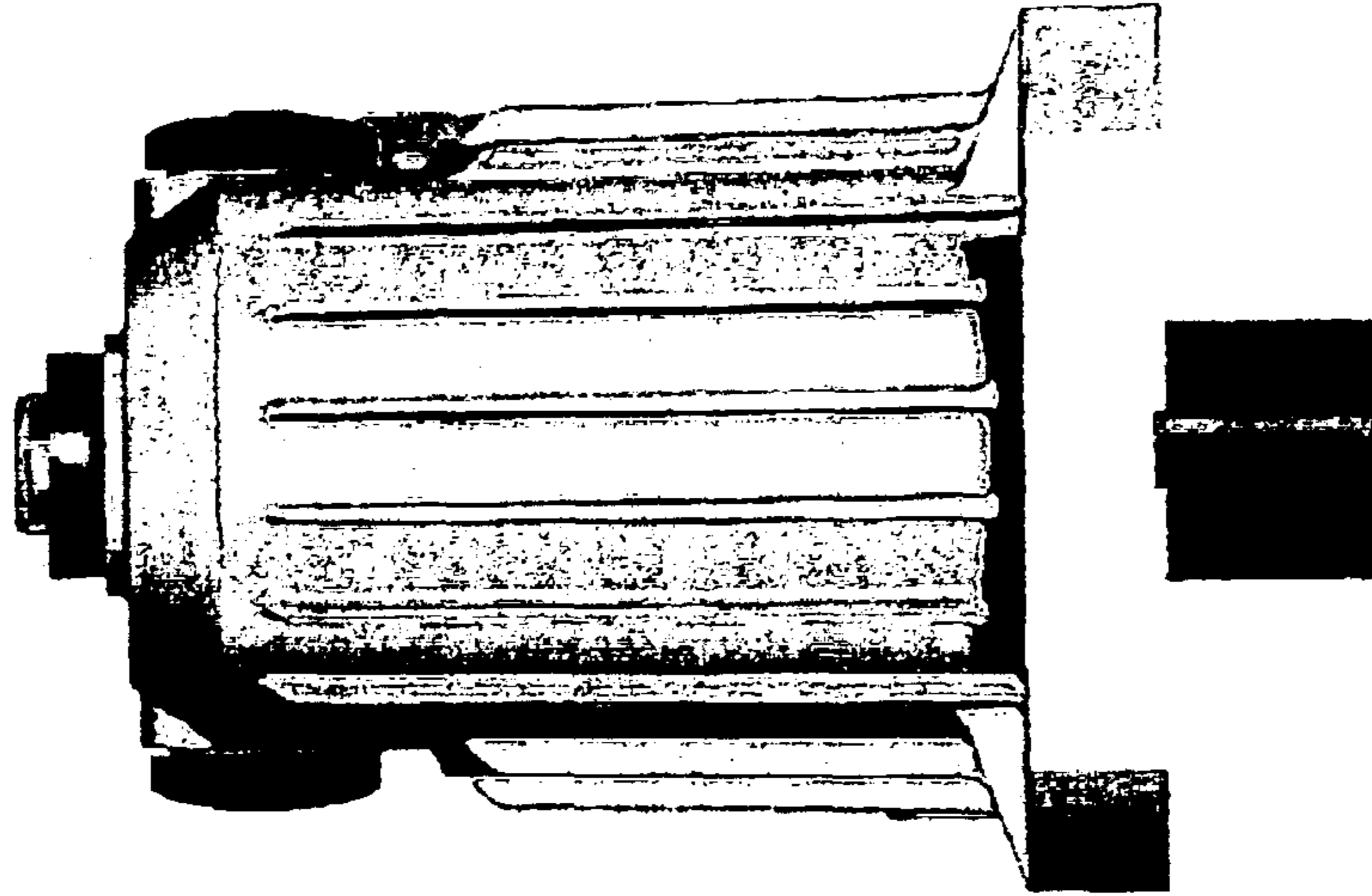


FIG. 3

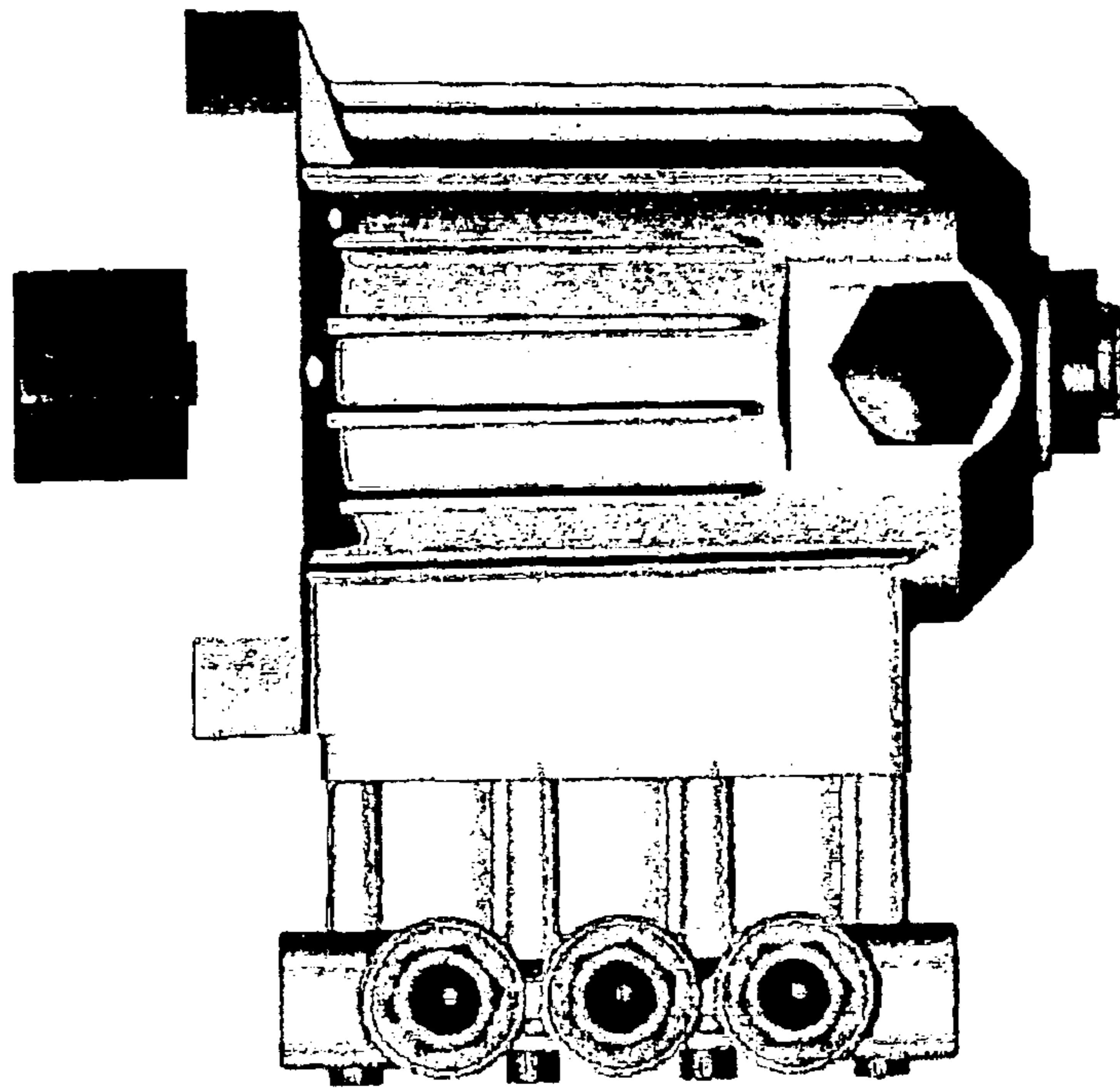


FIG. 4

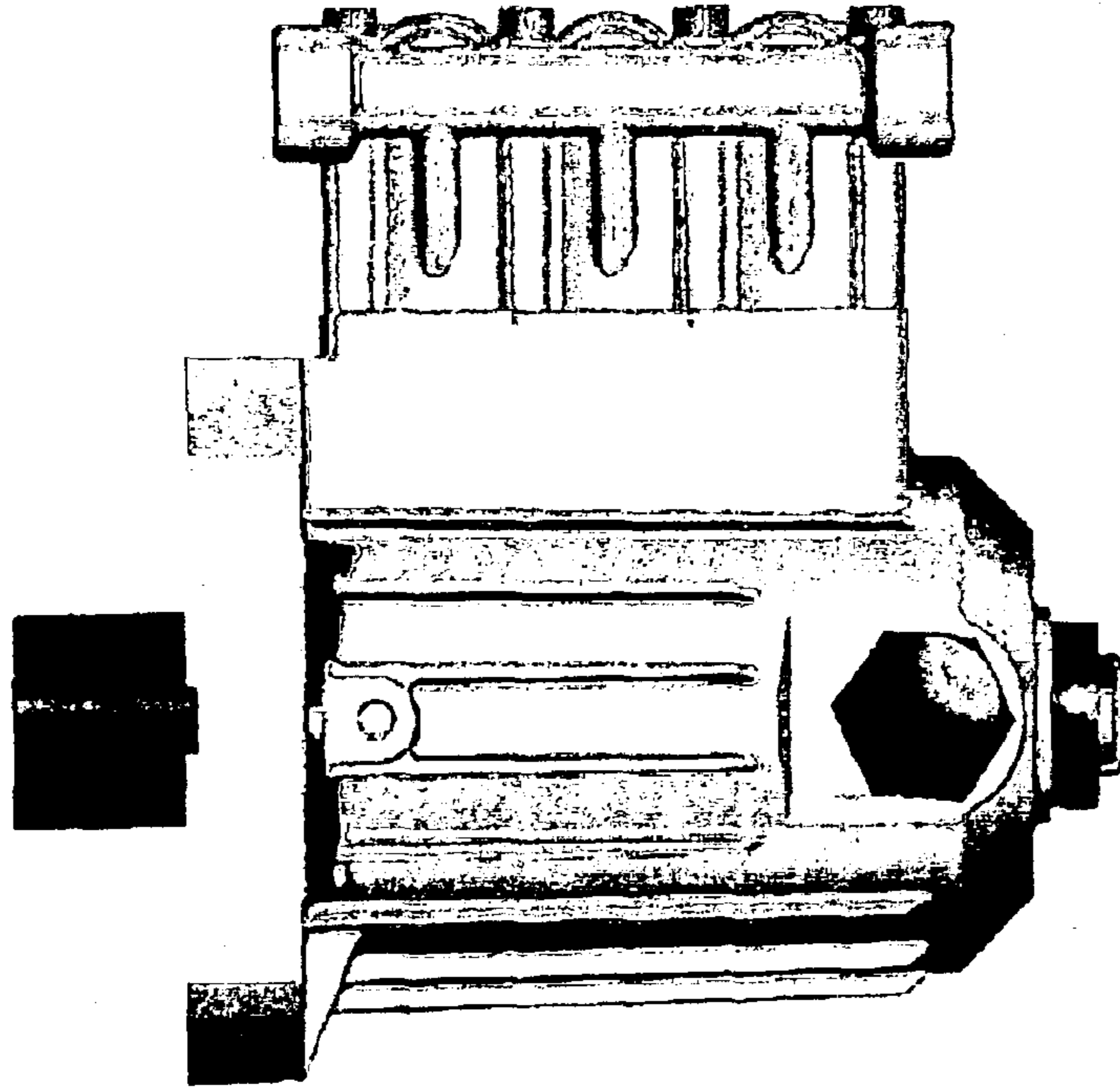


FIG. 5

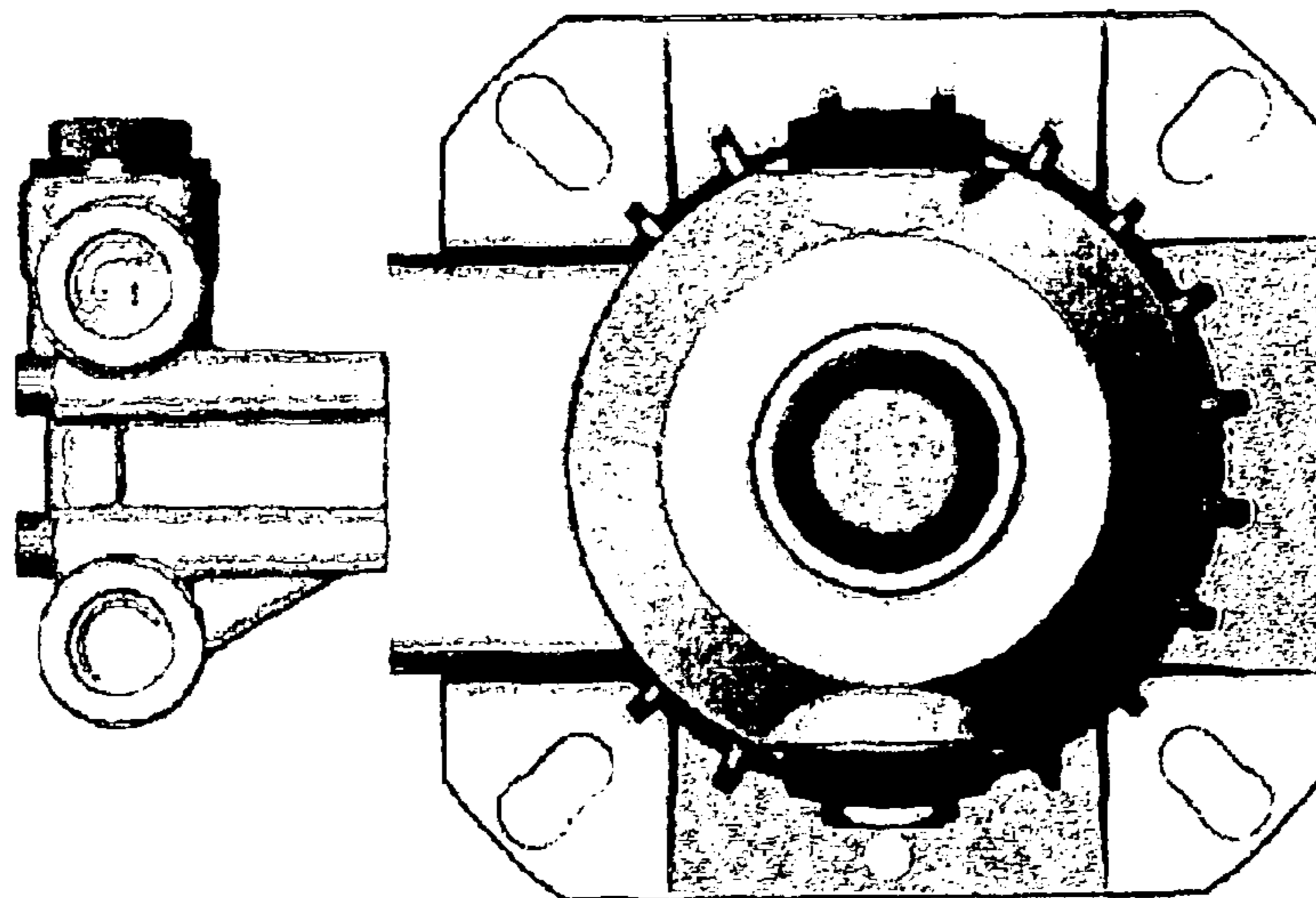


FIG. 6

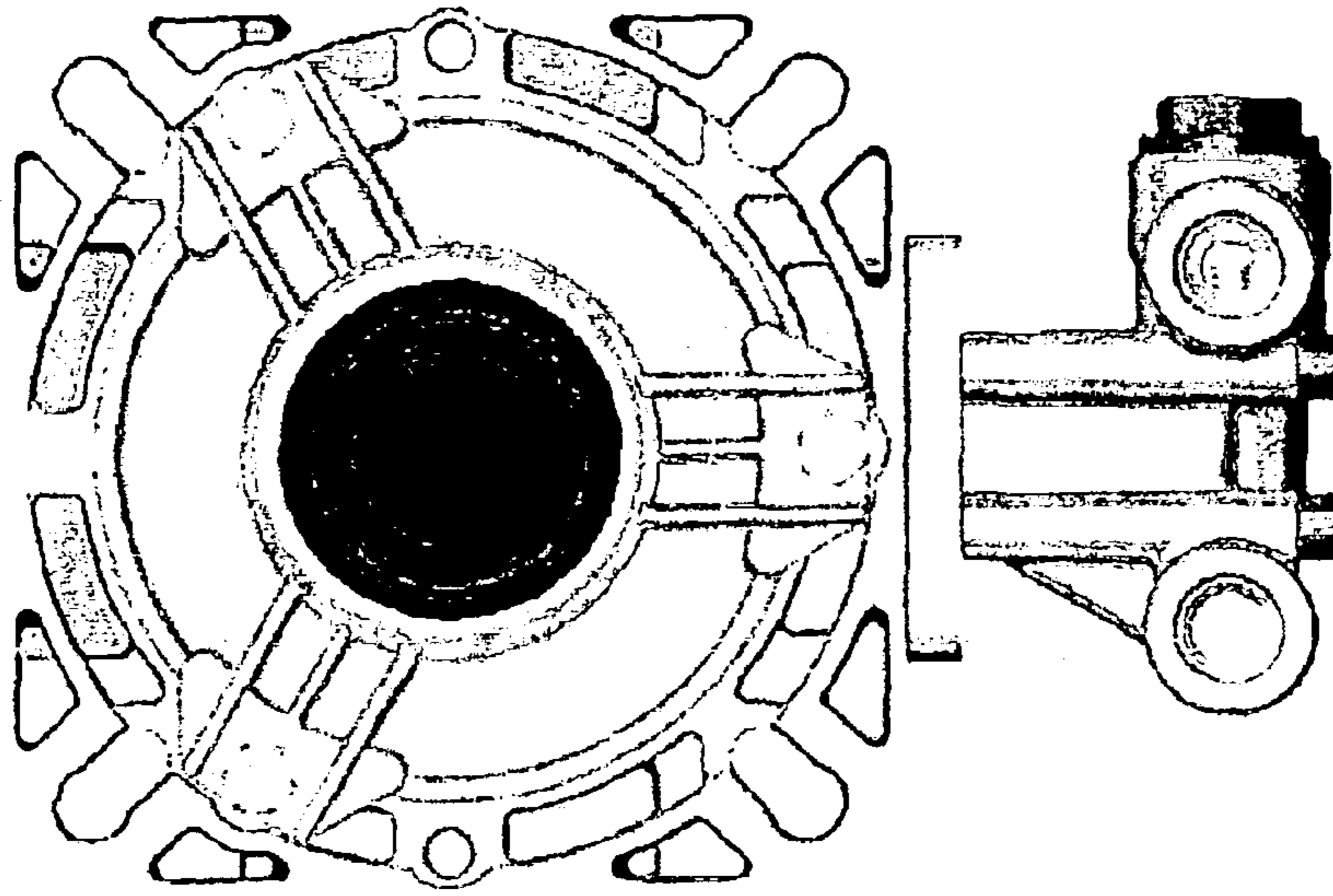


FIG. 7

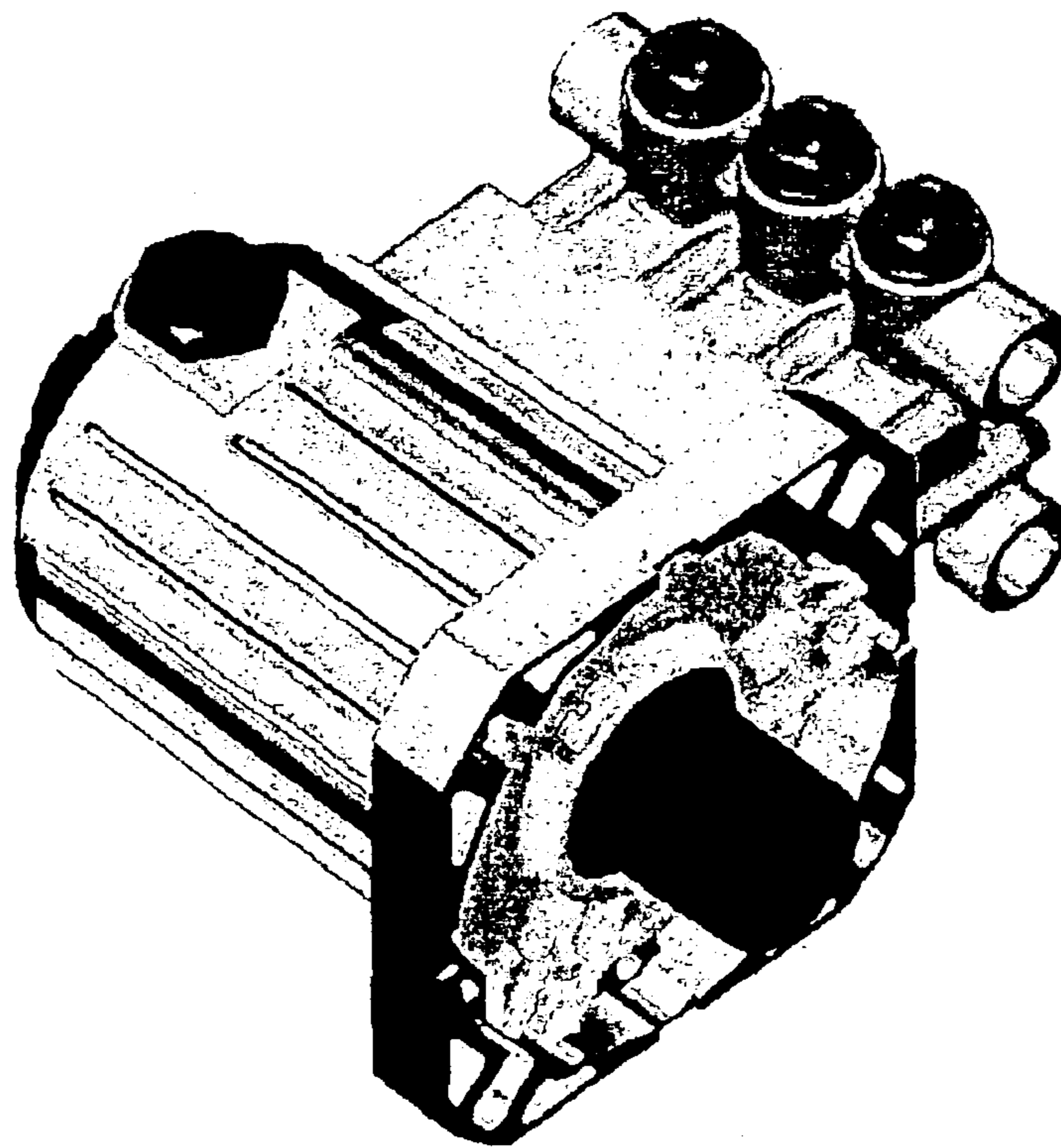


FIG. 8

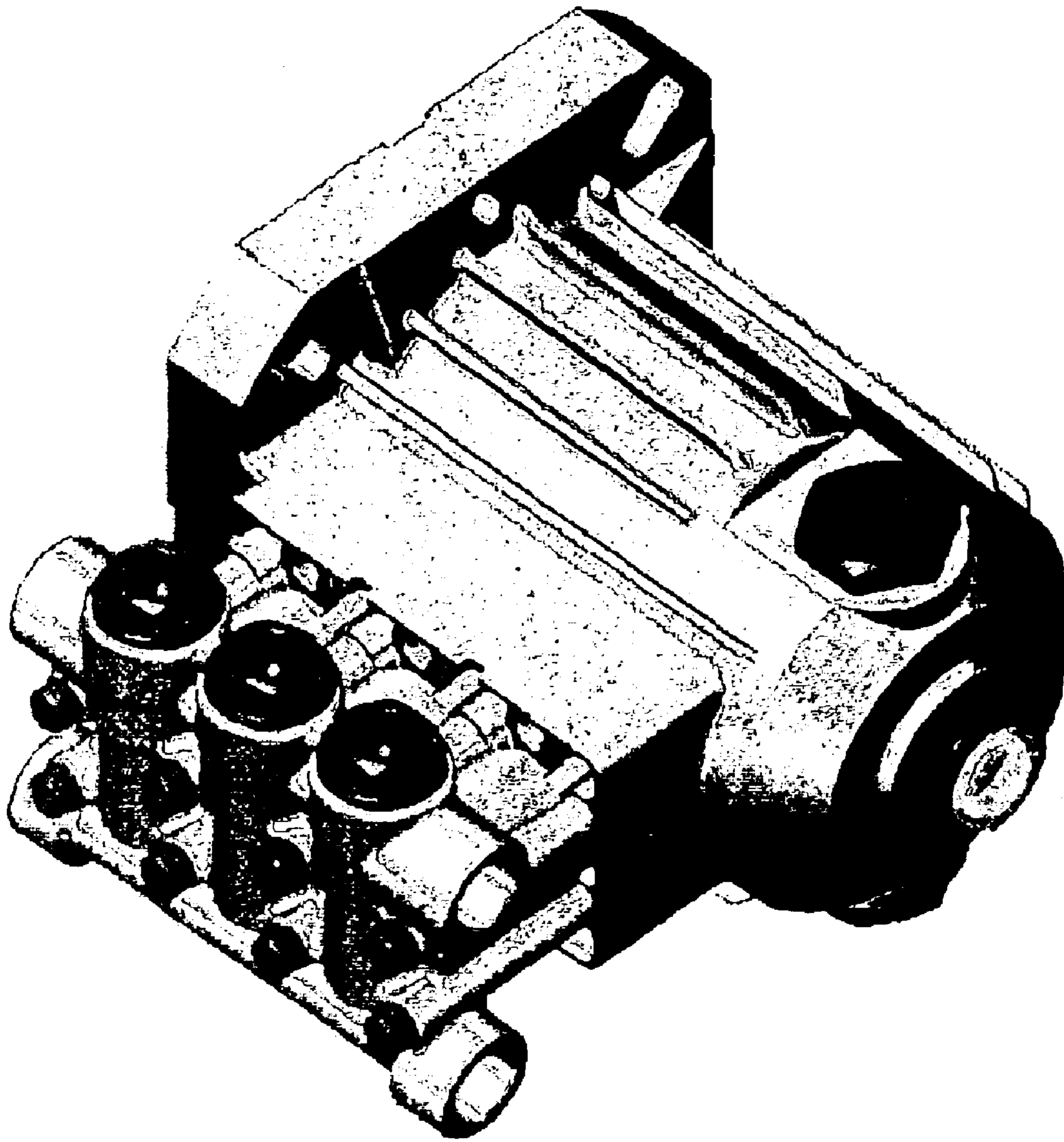


FIG. 9