

US00D495341S1

(12) **United States Design Patent** (10) **Patent No.:** **US D495,341 S**
O'Brien et al. (45) **Date of Patent:** **** *Aug. 31, 2004**

(54) **COMBINED INTEGRATED INJECTION LINE AND INJECTION NOZZLE**

6,631,857 B2 * 10/2003 Ibrahim et al. 239/533.9
6,651,911 B1 * 11/2003 Yalcin et al. 239/533.3

(75) Inventors: **Michael J. O'Brien**, Glastonbury, CT (US); **Kenneth H. Klopfer**, East Hartland, CT (US)

* cited by examiner

Primary Examiner—Melody N. Brown
(74) *Attorney, Agent, or Firm*—Alix, Yale & Ristas, LLP

(73) Assignee: **Stanadyne Corporation**, Windsor, CT (US)

(57) **CLAIM**

The ornamental design for a combined integrated injection line and injection nozzle, as shown and described.

(*) Notice: This patent is subject to a terminal disclaimer.

DESCRIPTION

(**) Term: **14 Years**

FIG. 1 is a front view, partially shown in broken lines, of the combined integrated injection line and injection nozzle showing our new design;

(21) Appl. No.: **29/183,908**

FIG. 2 is a side elevational view, partially shown in broken lines, of the combined integrated injection line and injection nozzle of FIG. 1;

(22) Filed: **Jun. 17, 2003**

Related U.S. Application Data

FIG. 3 is a top plan view, partially shown in broken lines, of the combined integrated injection line and injection nozzle of FIG. 1;

(63) Continuation of application No. PCT/US03/08572, filed on Mar. 19, 2003.

FIG. 4 is a left side view, partially shown in broken lines, of the combined integrated injection line and injection nozzle of FIG. 1, viewed from the left thereof;

(51) **LOC (7) Cl.** **15-01**

(52) **U.S. Cl.** **D15/5**

(58) **Field of Search** D15/5; D23/384;
239/88, 92, 93, 533.3, 533.9, 533.11, 585.1;
277/636; 285/235; 403/50

FIG. 5 is a rear view, partially shown in broken lines, of the combined integrated injection line and injection nozzle of FIG. 1;

(56) **References Cited**

U.S. PATENT DOCUMENTS

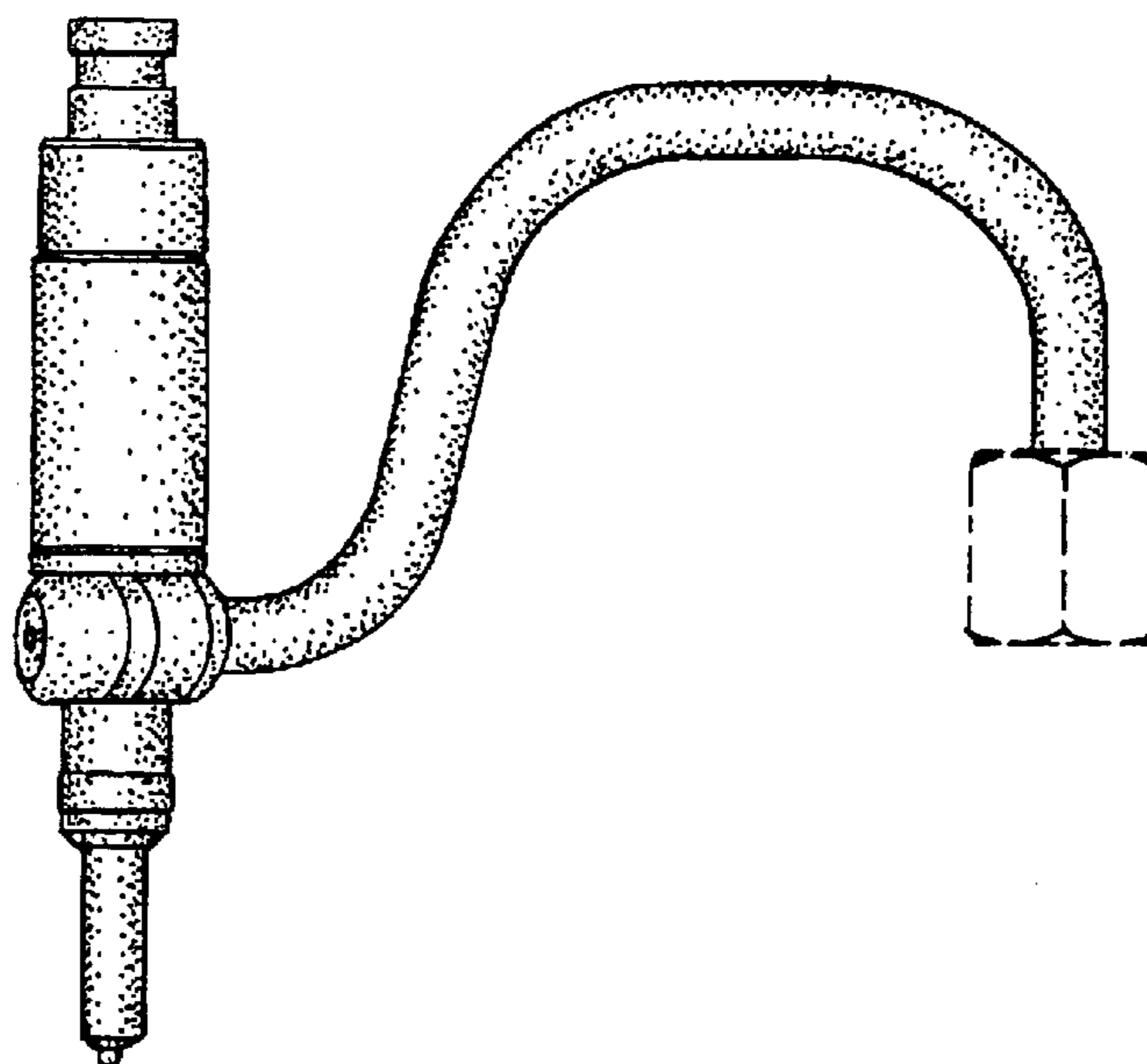
- D263,711 S * 4/1982 Dean D15/5
- 6,568,606 B2 * 5/2003 Boecking 239/533.2
- 6,575,388 B2 * 6/2003 Aota et al. 239/533.12
- 6,622,932 B1 * 9/2003 Schmidt et al. 239/5
- 6,629,647 B2 * 10/2003 Boecking 239/88
- 6,629,650 B2 * 10/2003 Curran et al. 239/585.1

FIG. 6 is a bottom view, partially shown in broken lines, of the combined integrated injection line and injection nozzle of FIG. 1; and,

FIG. 7 is a fragmentary front view, partially shown in broken lines, of a portion of the combined integrated injection line and injection nozzle of FIG. 1, wherein the fitting shown in broken lines is lifted to show a terminus of the line.

No claim is made to the portions shown in broken lines.

1 Claim, 2 Drawing Sheets



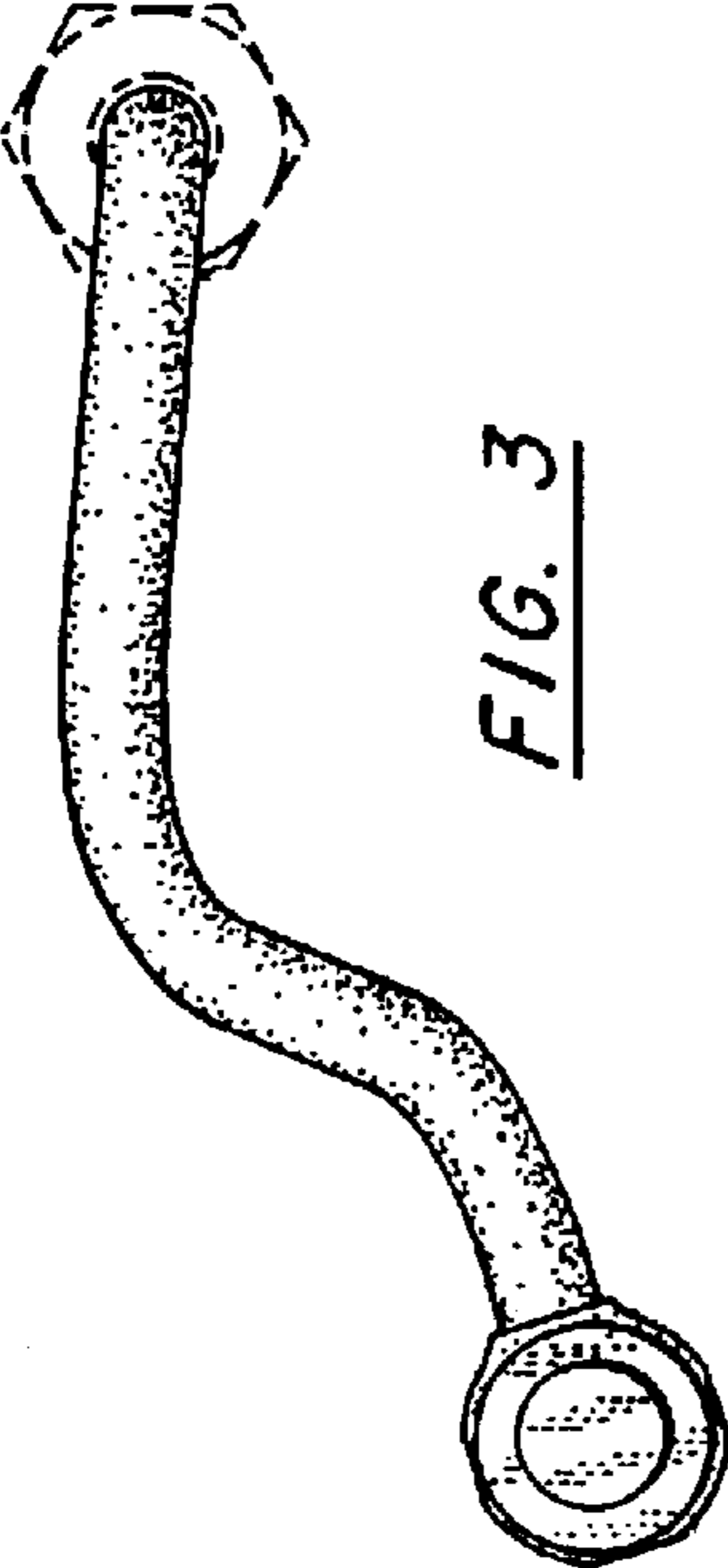


FIG. 3

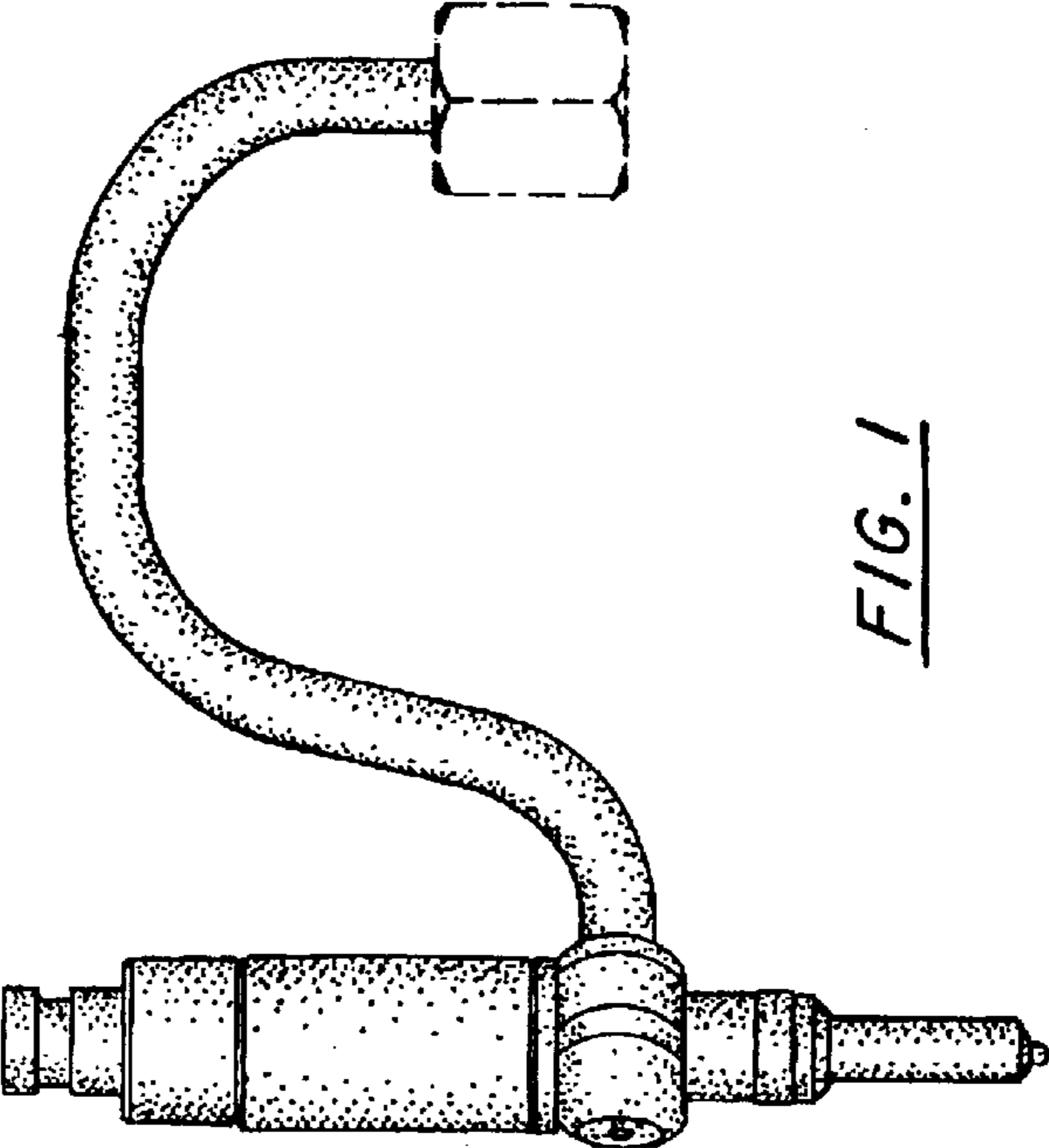


FIG. 1

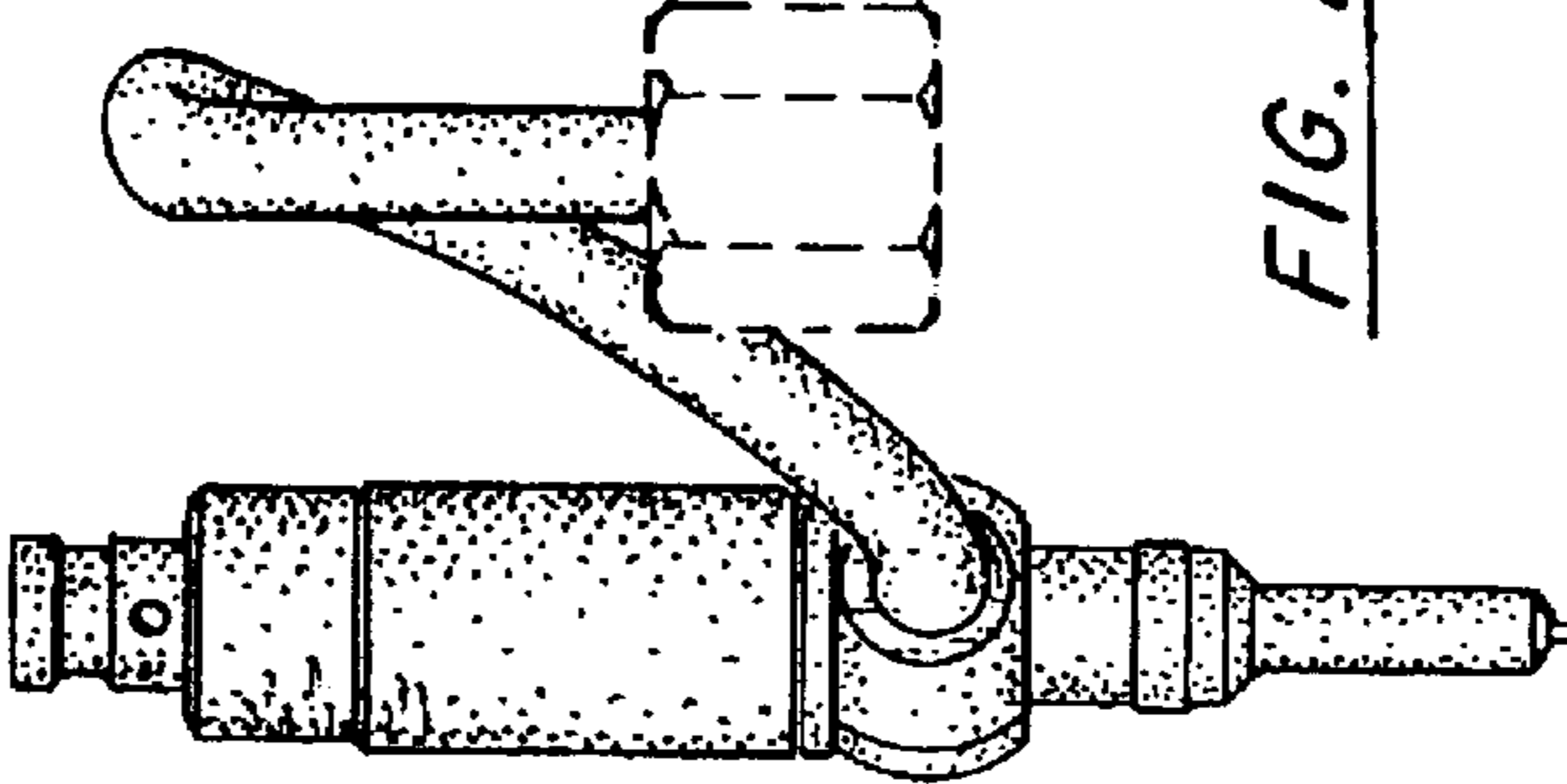


FIG. 2

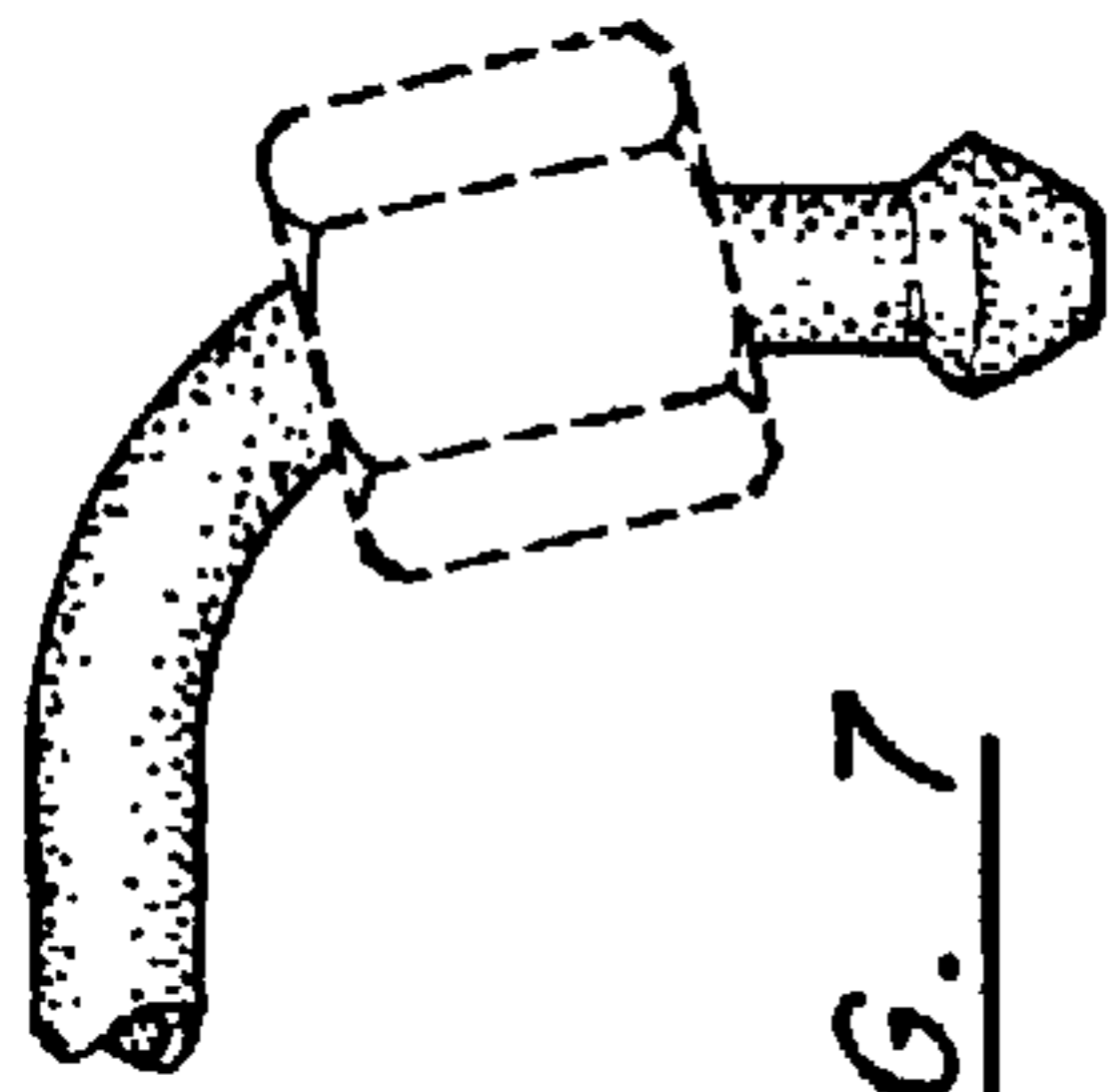


FIG. 7

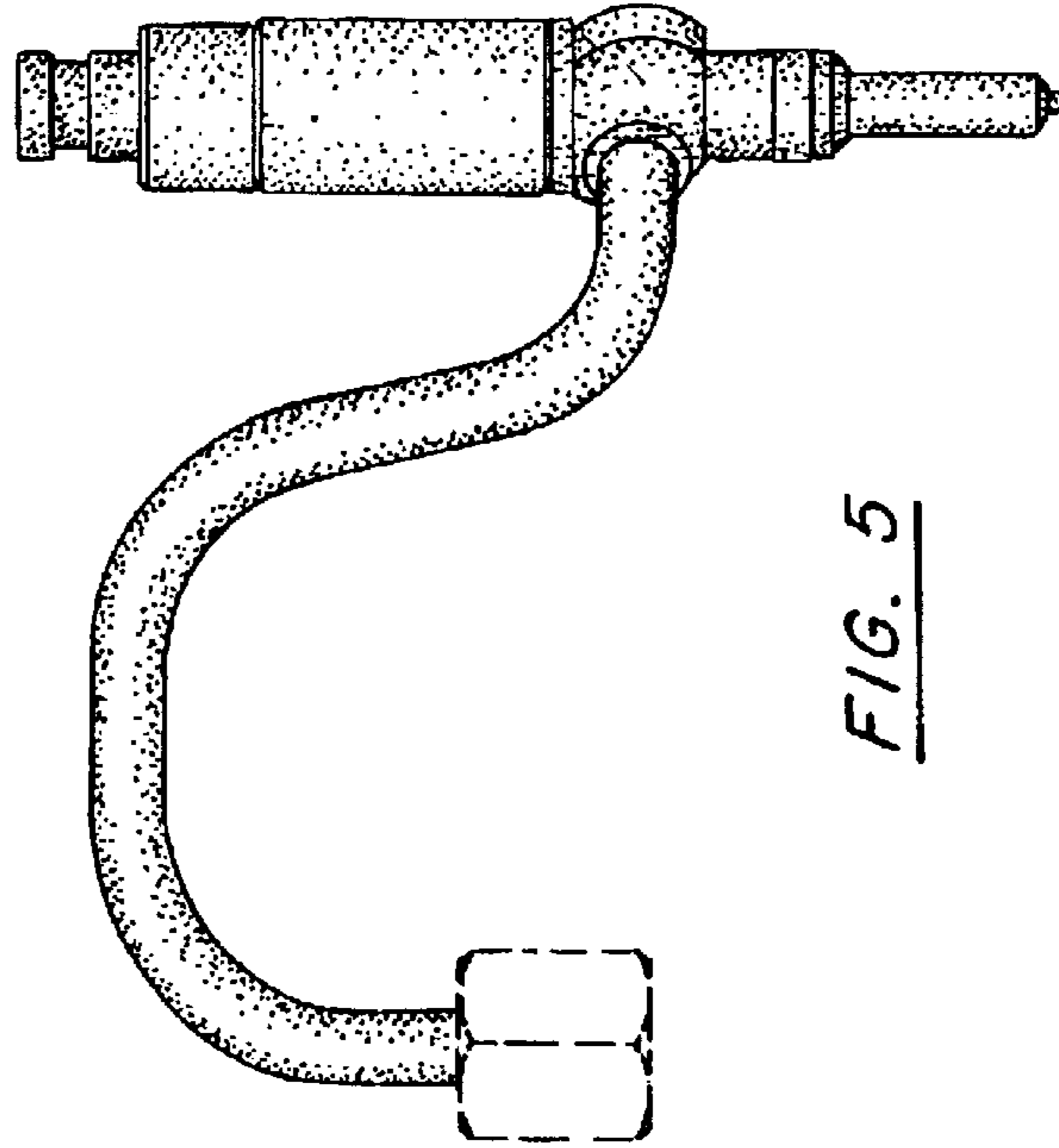


FIG. 5

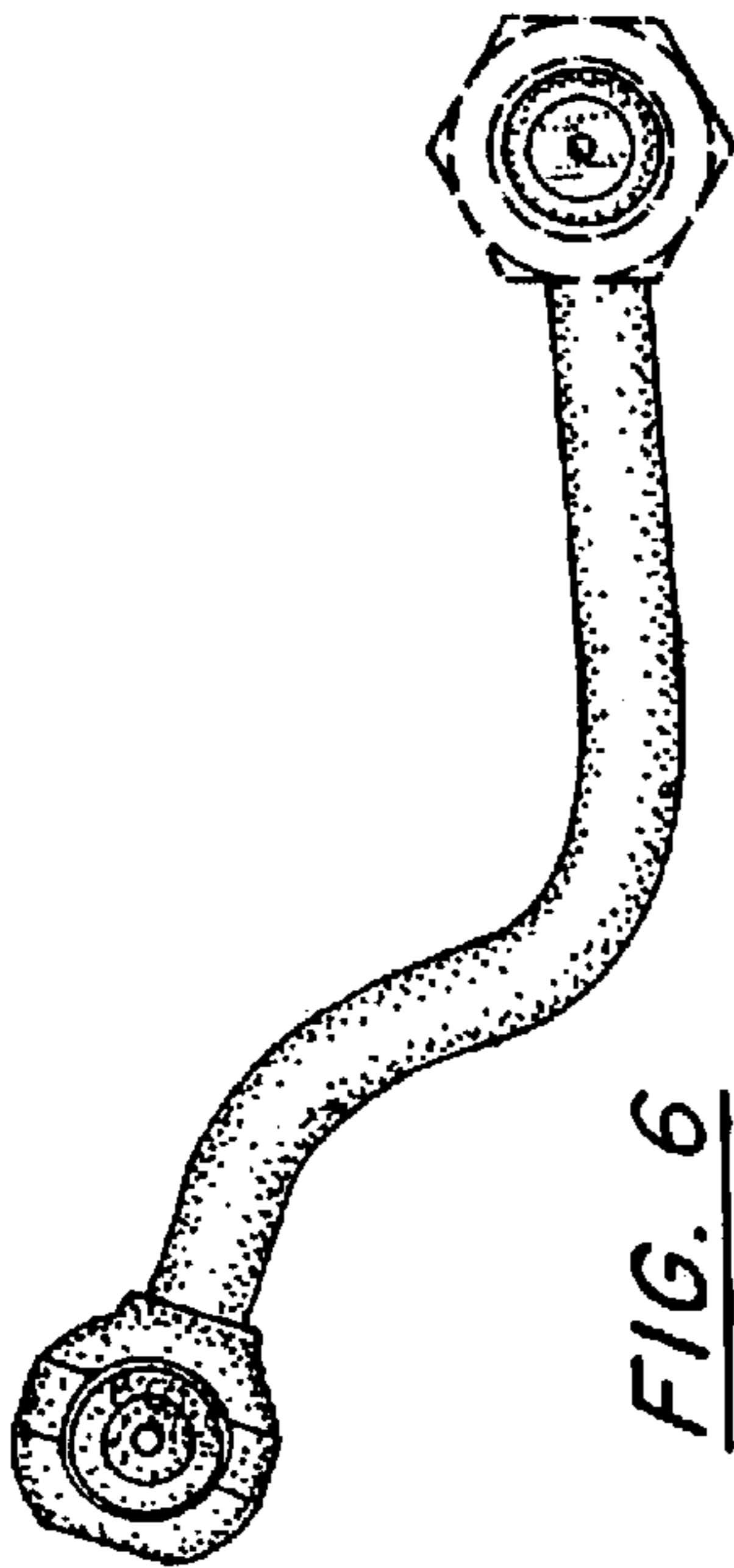


FIG. 6

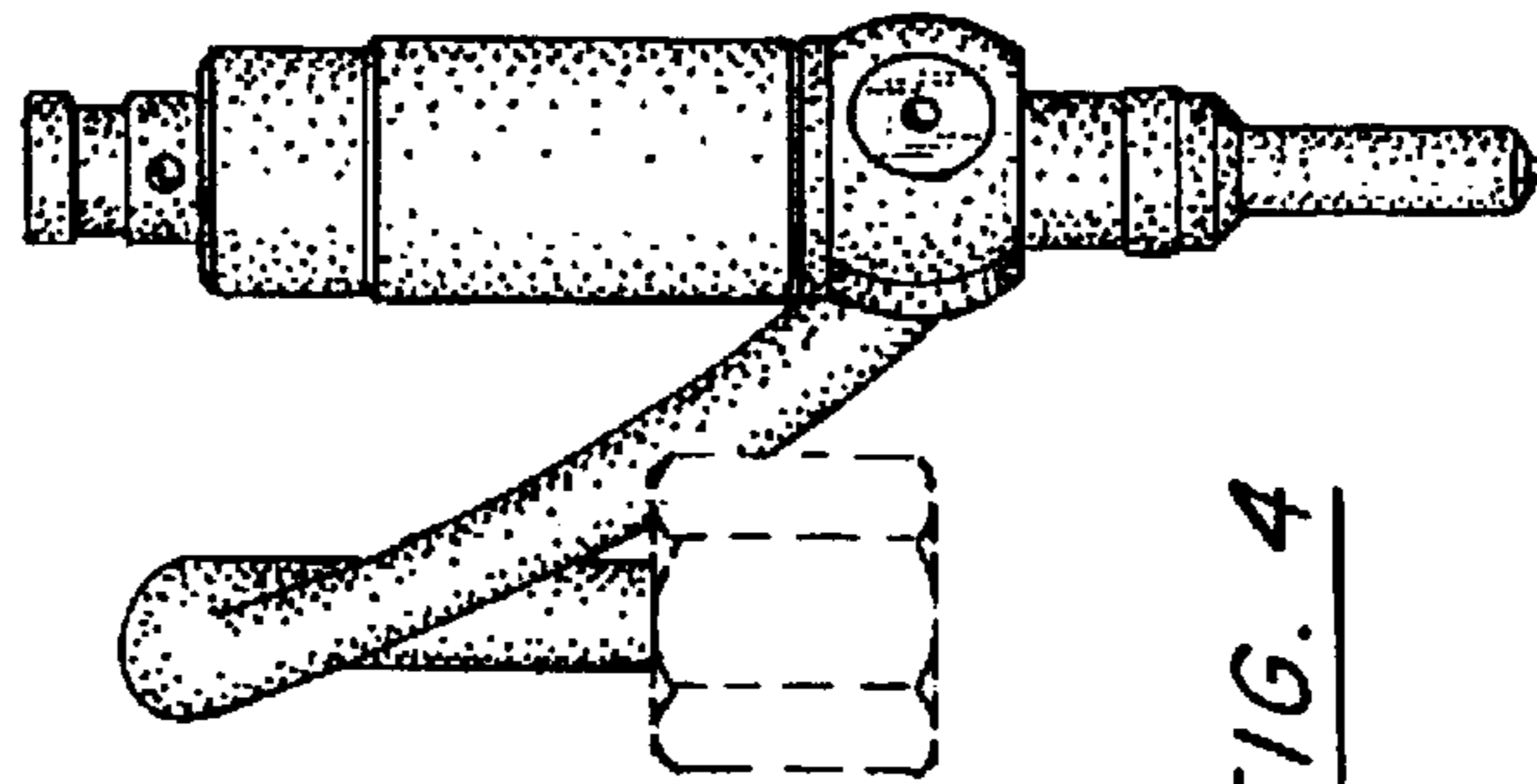


FIG. 4

UNITED STATES PATENT AND TRADEMARK OFFICE
CERTIFICATE OF CORRECTION

PATENT NO. : Des. 495,341 S
DATED : August 31, 2004
INVENTOR(S) : O'Brien et al.

Page 1 of 1

It is certified that error appears in the above-identified patent and that said Letters Patent is hereby corrected as shown below:

Title page,

Item [*] Notice, delete

“[*] Notice: This patent is subject to a terminal disclaimer.”

Signed and Sealed this

Seventh Day of December, 2004

A handwritten signature in black ink that reads "Jon W. Dudas". The signature is written in a cursive style with a large, looped initial "J" and a stylized "D".

JON W. DUDAS

Director of the United States Patent and Trademark Office