

US00D495337S1

(12) **United States Design Patent**  
**Zerman et al.**

(10) **Patent No.:** **US D495,337 S**  
(45) **Date of Patent:** **\*\* Aug. 31, 2004**

(54) **PORTABLE COMPUTER STAND WITH  
ADJUSTABLE LEG**

(76) Inventors: **Michael S. Zerman**, 20-22 Westbury  
Street, Hackney, Adelaide, South  
Australia (AU), 5096; **Michael Youds**,  
12-16 King William Street, Kent Town,  
Adelaide, South Australia (AU), 5067

(\*\*) Term: **14 Years**

(21) Appl. No.: **29/176,809**

(22) Filed: **Feb. 27, 2003**

(51) **LOC (7) Cl.** ..... **14-02**

(52) **U.S. Cl.** ..... **D14/447; D6/462**

(58) **Field of Search** ..... D14/432, 439,  
D14/447, 448, 451, 452; 248/460, 462,  
464, 451, 465.1, 466, 441.1; D6/462, 310,  
313, 329, 396, 419, 466; D19/90, 91

(56) **References Cited**

**U.S. PATENT DOCUMENTS**

D34,353 S	4/1901	Daniels
813,227 A	2/1906	Miller
863,114 A	8/1907	Stevens
1,026,523 A	5/1912	Maxwell

1,525,445 A	2/1925	Hamilton	
1,938,528 A	* 12/1933	Marseglia	248/444
2,317,867 A	* 4/1943	Taylor et al.	248/448
2,441,655 A	5/1948	Anderson	
D357,828 S	5/1995	Liao	
5,915,661 A	* 6/1999	Silverman et al.	248/465.1
D457,351 S	* 5/2002	Zerman et al.	D6/462
2003/0001065 A1	* 1/2003	Ng	248/460

\* cited by examiner

*Primary Examiner*—Kay H. Chin

(74) *Attorney, Agent, or Firm*—Watts, Hoffmann Co., LPA

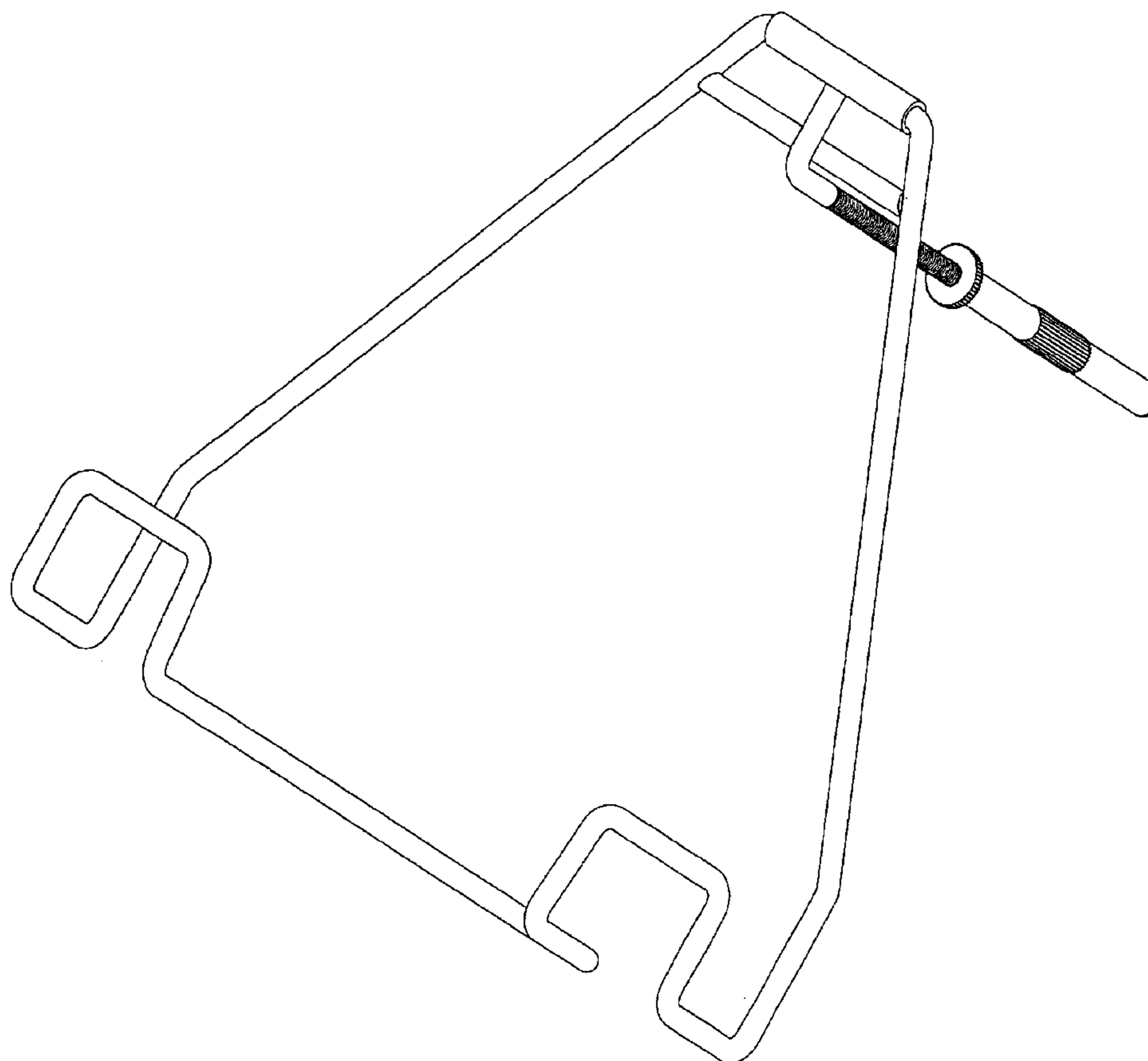
(57) **CLAIM**

The ornamental design for a portable computer stand with adjustable leg, as shown and described.

**DESCRIPTION**

FIG. 1 is a front perspective view of a portable computer stand with adjustable leg showing our new design; FIG. 2 is a rear perspective view thereof; FIG. 3 is a top plan view thereof; FIG. 4 is a front elevation view thereof in a closed position; FIG. 5 is a front view thereof in an open position; FIG. 6 is a side elevation view thereof; and, FIG. 7 is a side elevation view thereof in a closed position.

**1 Claim, 4 Drawing Sheets**



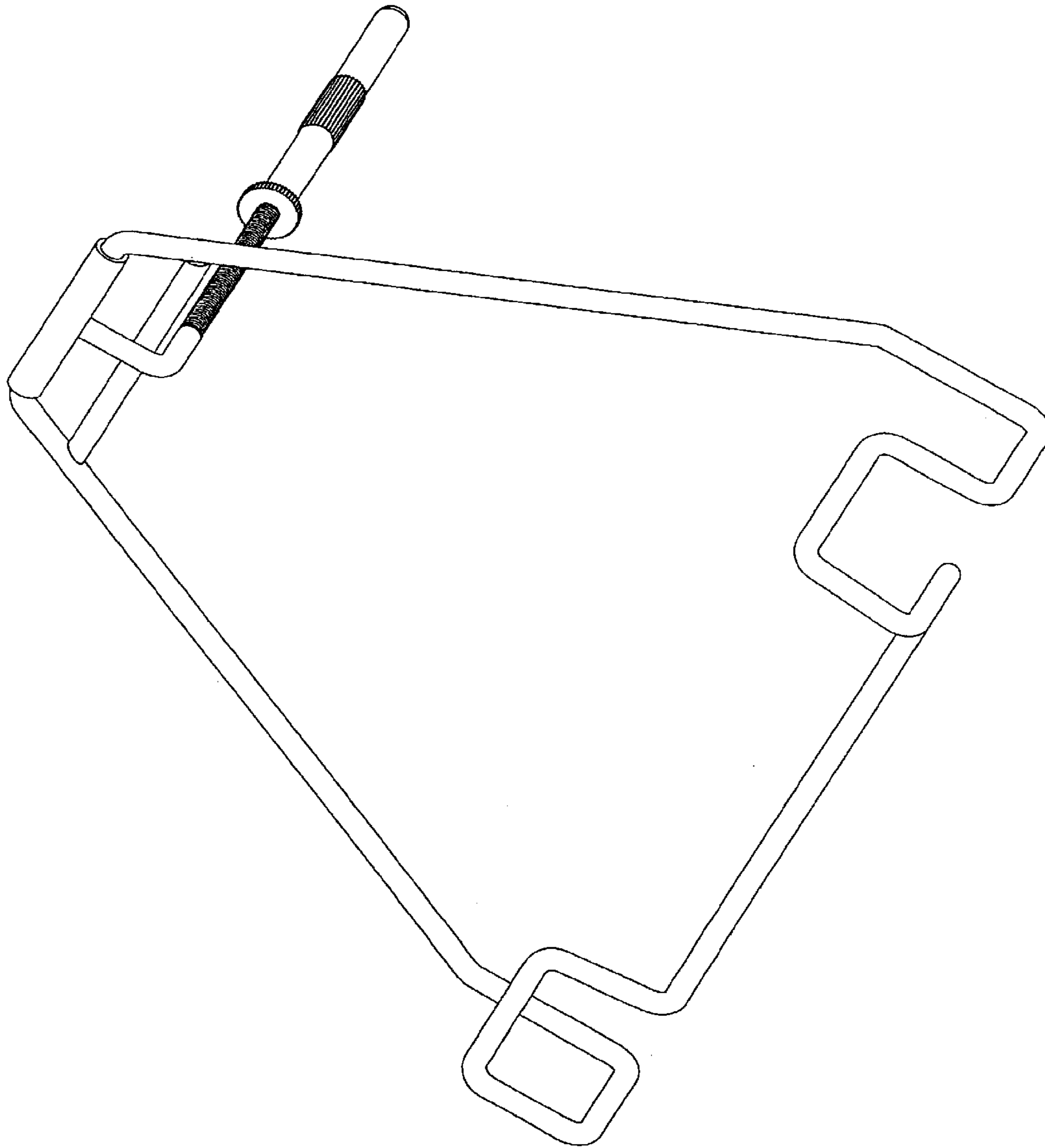


Fig 1

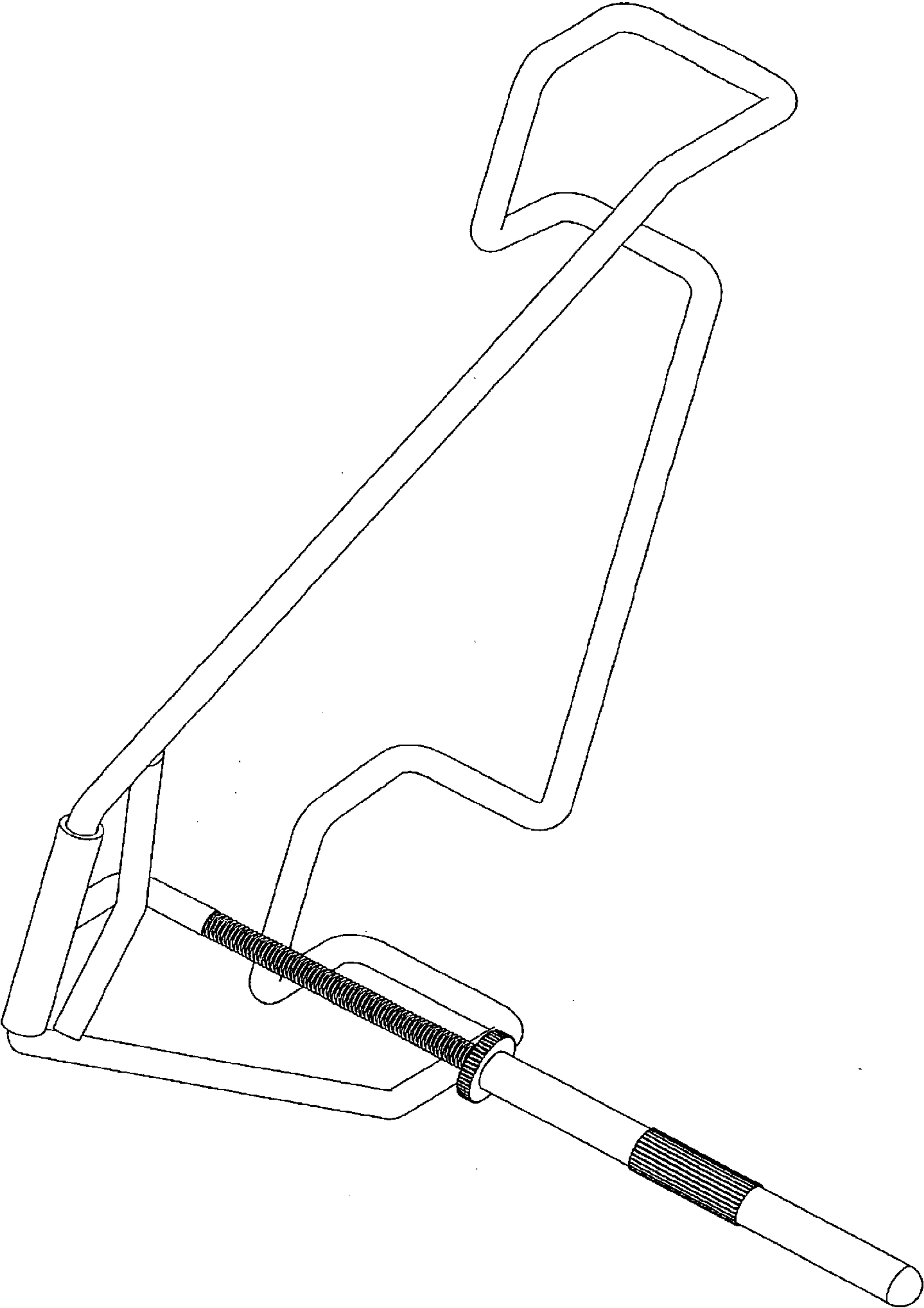
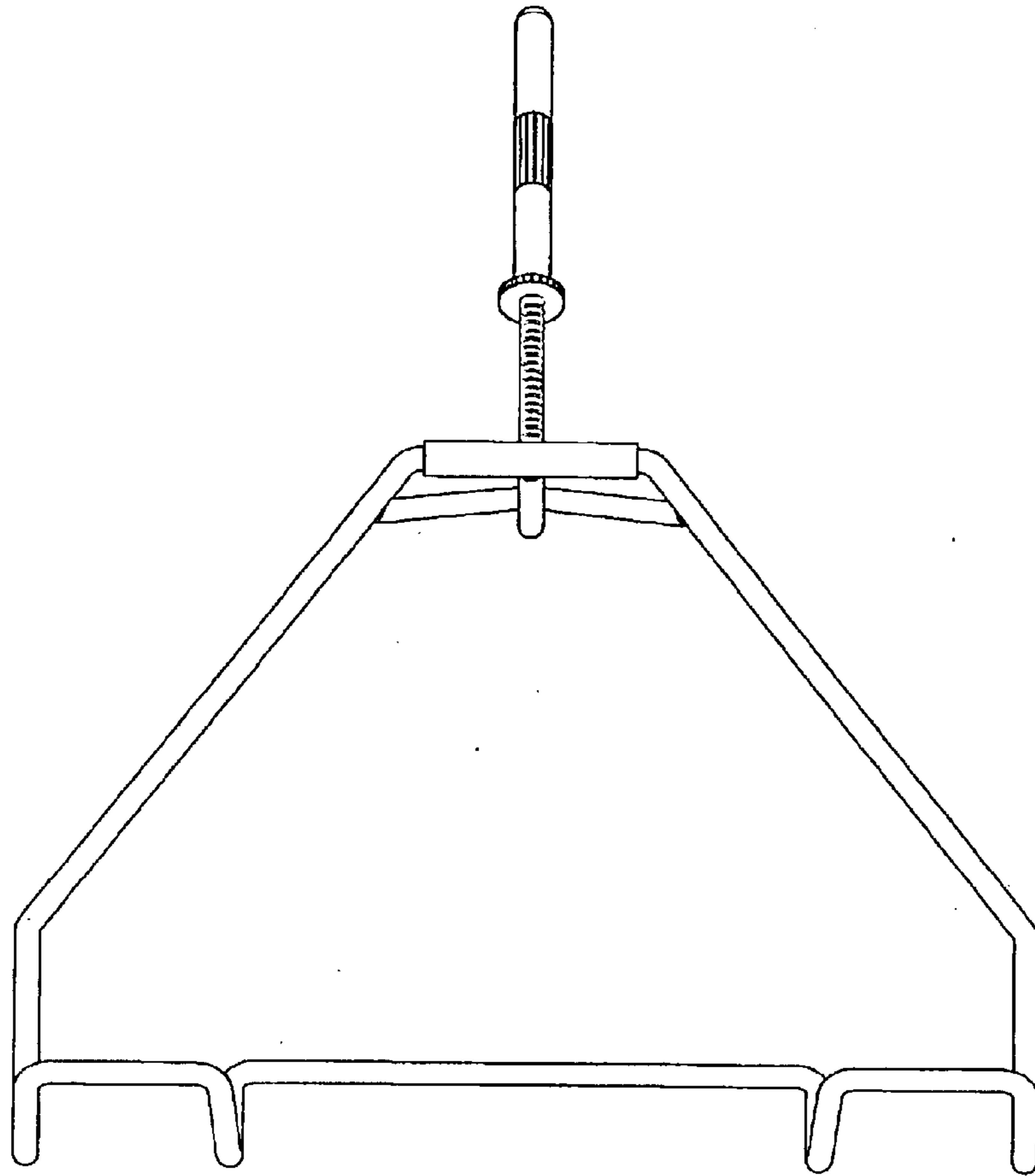
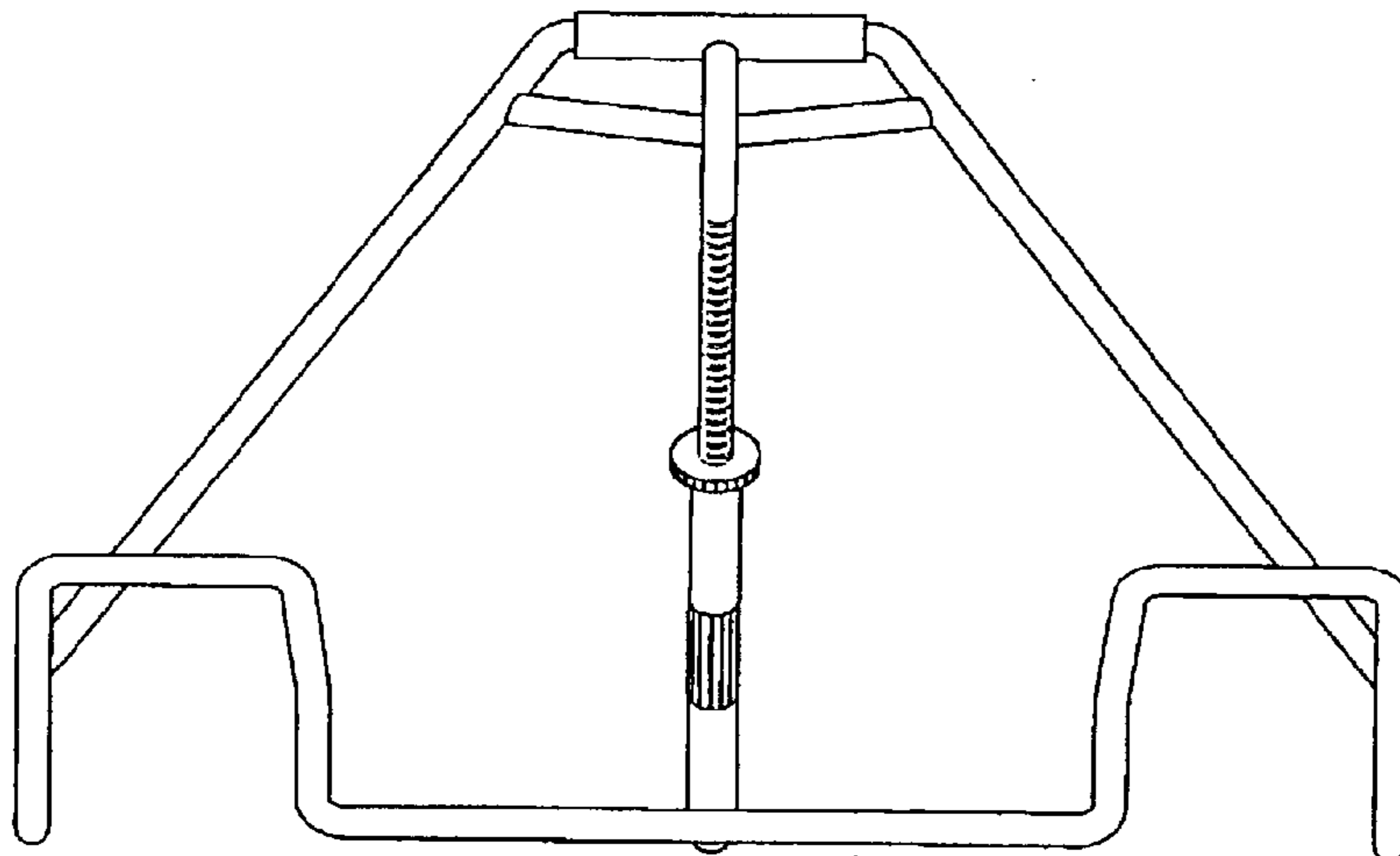


Fig 2



**Fig 3**



**Fig 4**

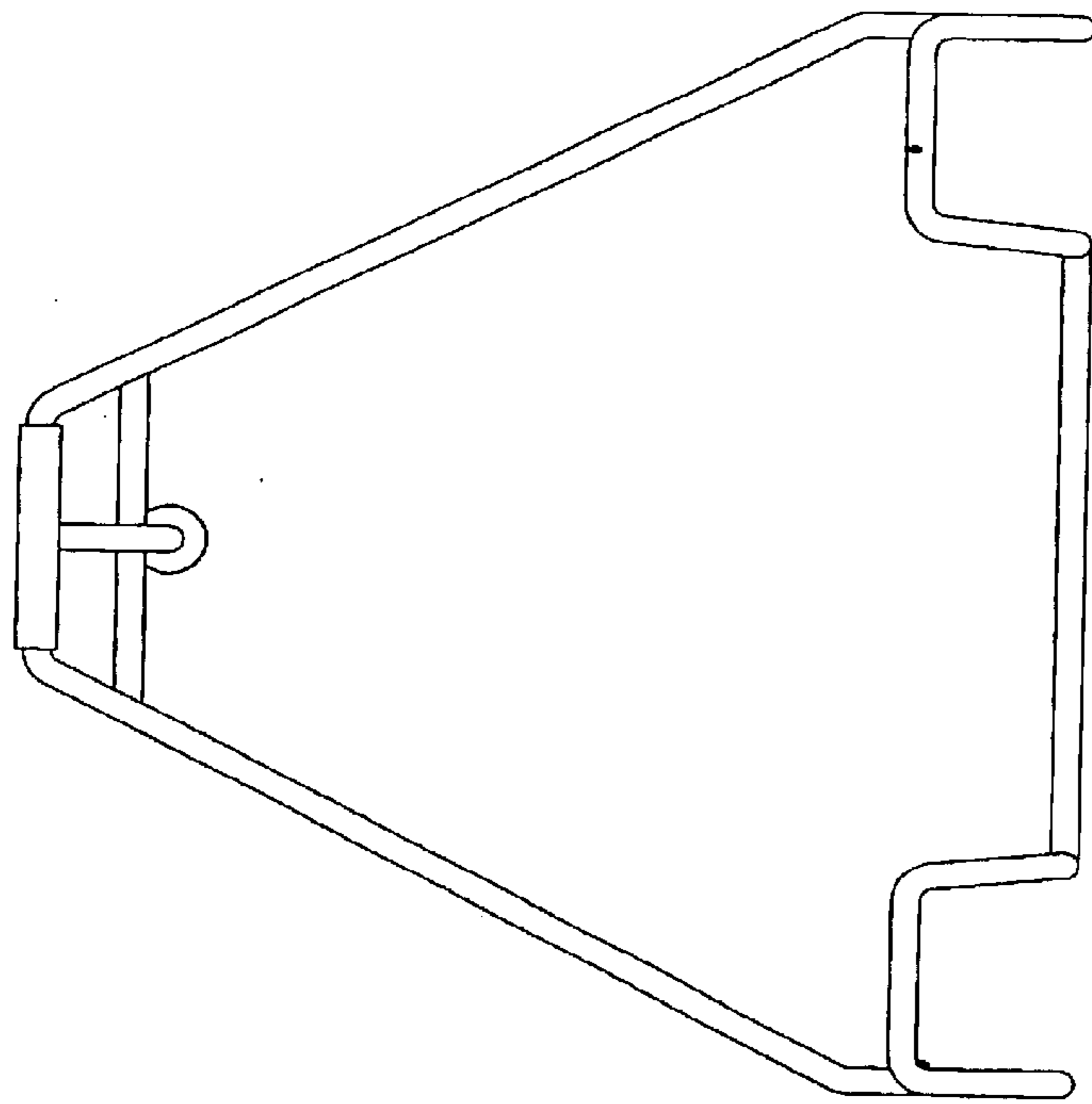


Fig 5

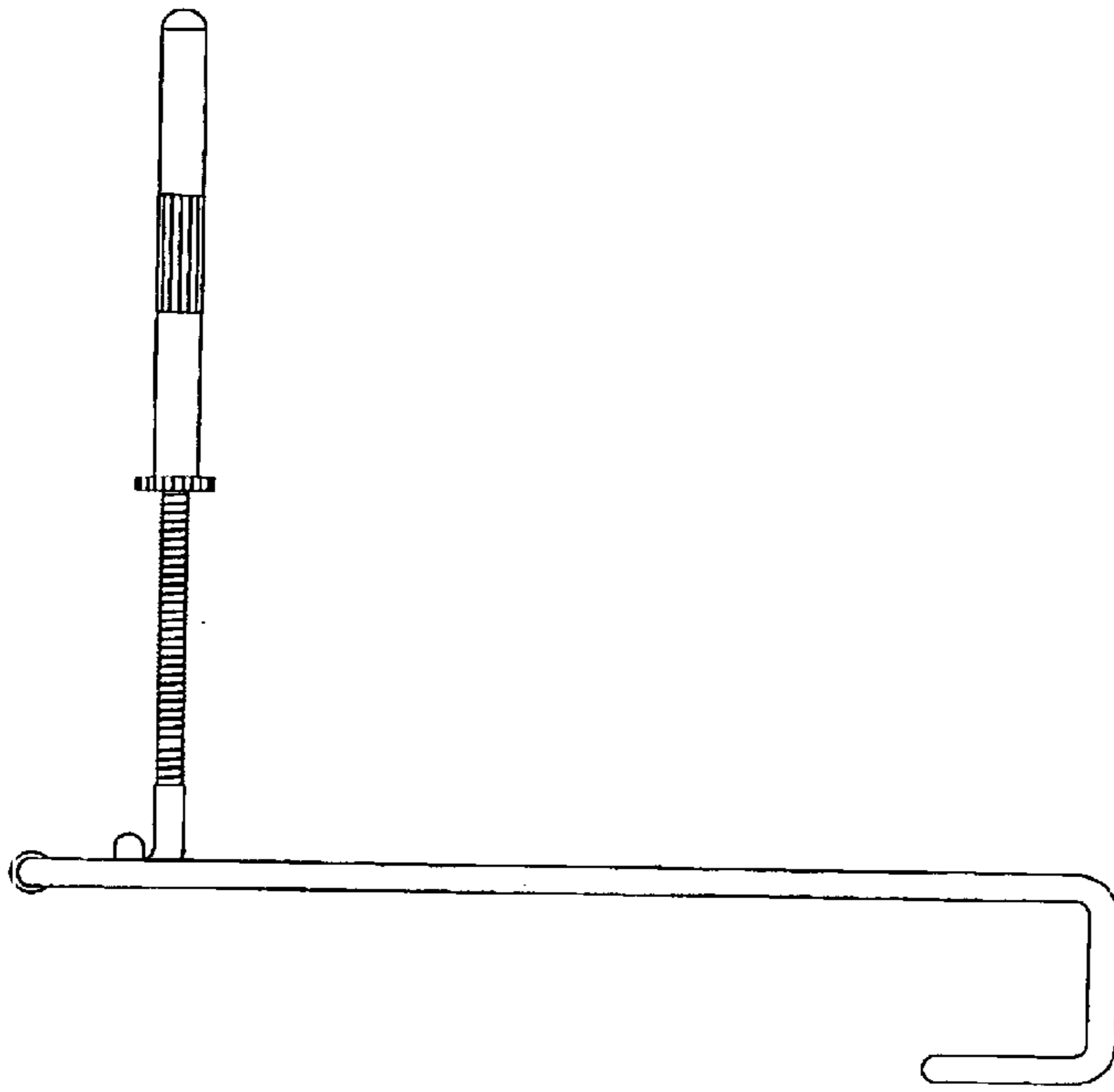


Fig 6

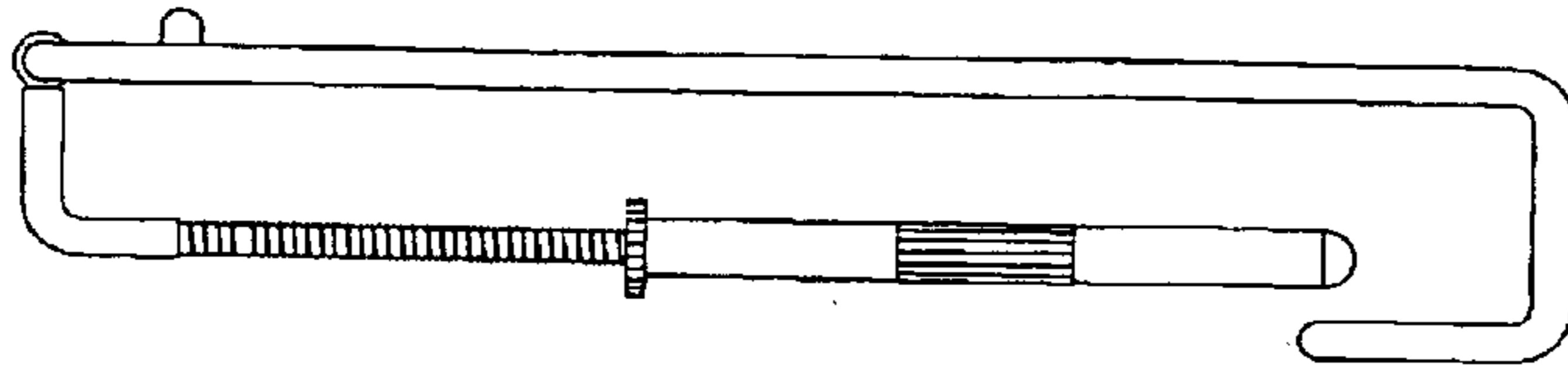


Fig 7