



US00D495335S1

(12) **United States Design Patent**
Masamitsu et al.

(10) **Patent No.:** **US D495,335 S**
(45) **Date of Patent:** **** Aug. 31, 2004**

(54) **COMBINED MEDIA READER/WRITER AND FINGERPRINT READER**

D437,851 S * 2/2001 Kojima et al. D14/385

(75) Inventors: **Satoshi Masamitsu**, Tokyo (JP);
Hirohisa Tanaka, Tokyo (JP)

OTHER PUBLICATIONS
Web page "MCR-MST[USB]." <http://www.7.yodobashi.com/shopping/i.jsp?oid>, Yodobashi Camera (Sep. 2002).
Web page "MCR-6U[6]." <http://www7.yodobashi.com/shopping/i.jsp?oid>, Yodobashi Camera (Sep. 2002).

(73) Assignee: **Sony Corporation**, Tokyo (JP)

(**) Term: **14 Years**

* cited by examiner

(21) Appl. No.: **29/174,126**

Primary Examiner—Freda Nunn
(74) *Attorney, Agent, or Firm*—Rader, Fishman & Grauer PLLC

(22) Filed: **Jan. 13, 2003**

(51) **LOC (7) Cl.** **14-02**

(52) **U.S. Cl.** **D14/384**

(58) **Field of Search** D14/383-385;
355/64, 65, 75, 81; 283/68-70, 74, 75,
78, 117; 235/380, 382, 382.5

(57) **CLAIM**

The ornamental design for a combined media reader/writer and fingerprint reader, as shown.

(56) **References Cited**

DESCRIPTION

U.S. PATENT DOCUMENTS

D308,863 S	*	6/1990	Soren et al.	D14/384
5,193,855 A	*	3/1993	Shamos	283/117
D350,120 S	*	8/1994	Tsuboi et al.	D14/385
D382,862 S		8/1997	Nakayama et al.		
D397,683 S		9/1998	Sakamoto et al.		
D410,908 S		6/1999	Oba		
D421,856 S		3/2000	Kirihara et al.		
D429,725 S		8/2000	Moriyama		
D435,256 S		12/2000	Hibino		

FIG. 1 is a perspective view of a combined media reader/writer and fingerprint reader showing our new design; FIG. 2 is a front elevational view thereof; FIG. 3 is a rear elevational view thereof; FIG. 4 is a left side elevational view thereof; FIG. 5 is a right side elevational view thereof; FIG. 6 is a top plan view thereof; and, FIG. 7 is a bottom plan view thereof.

1 Claim, 4 Drawing Sheets

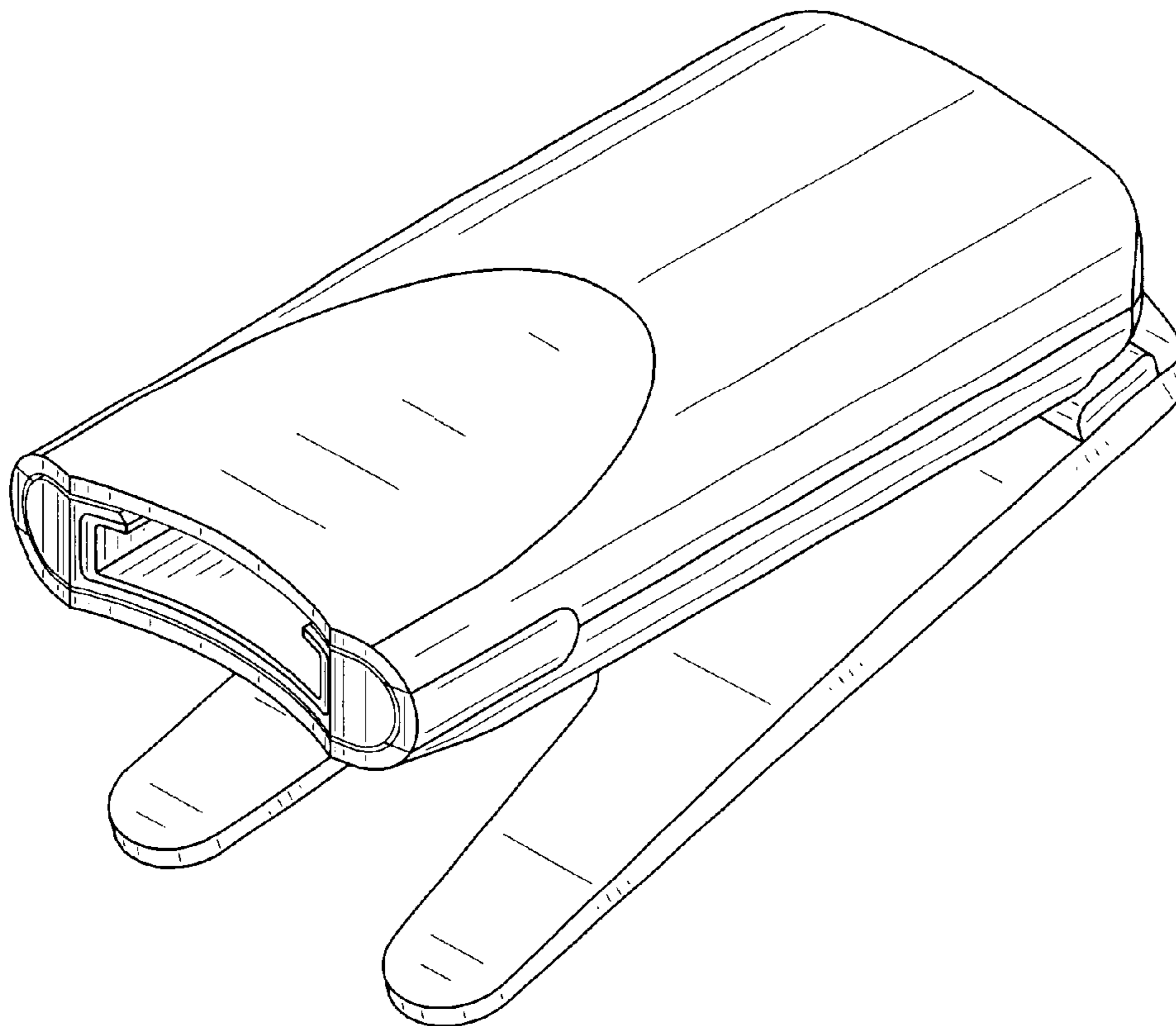


FIG. 1

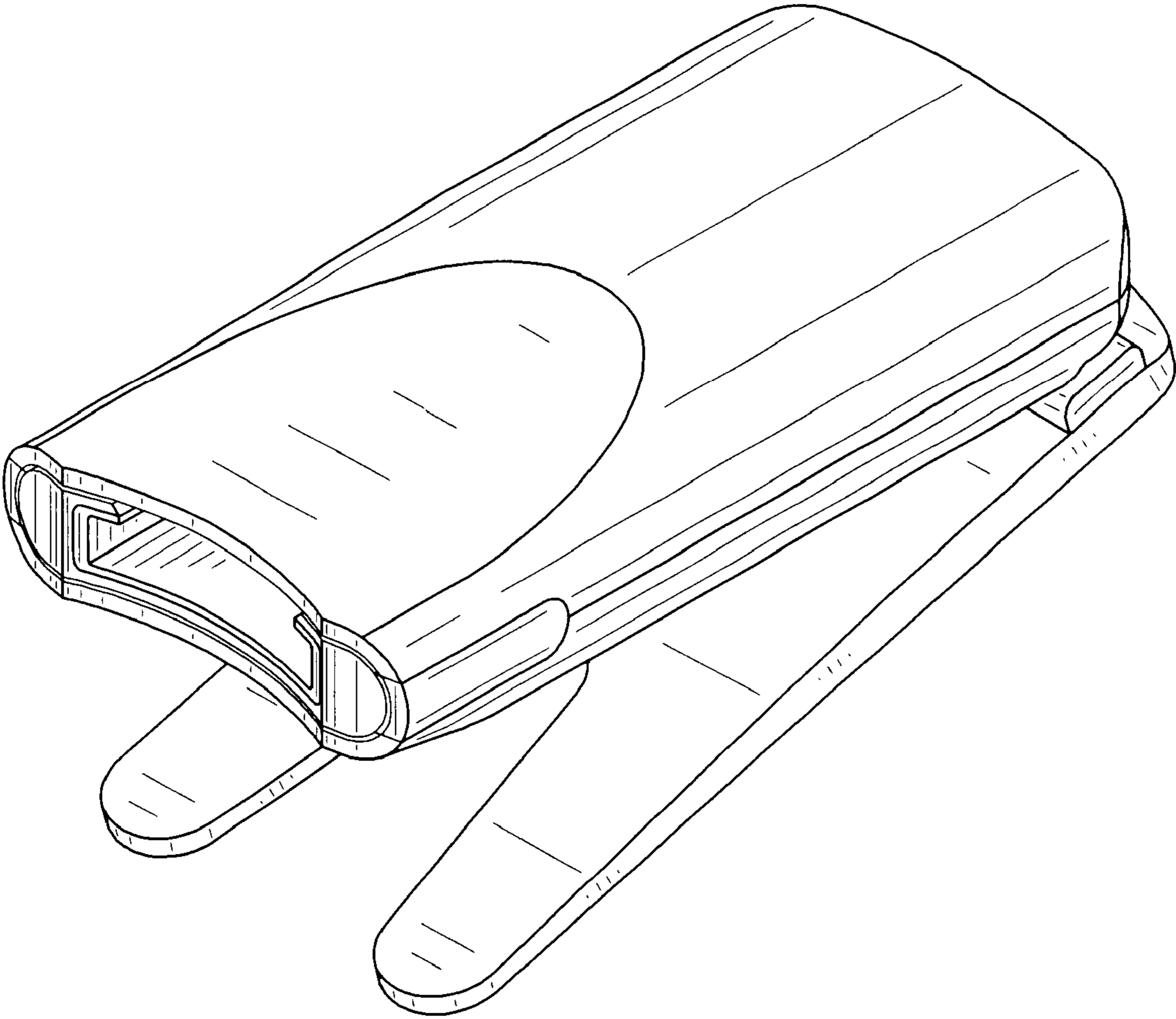


FIG. 2

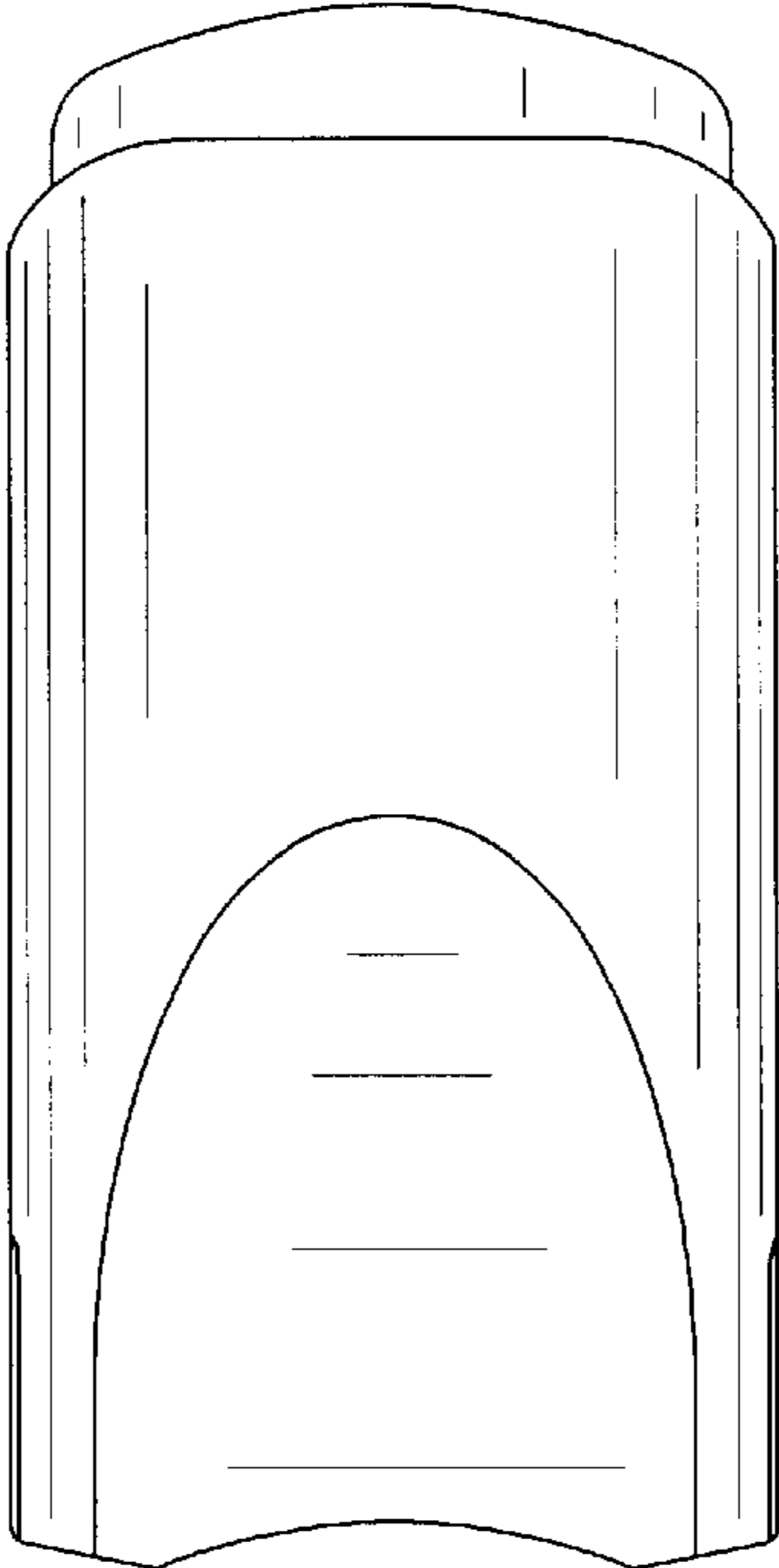


FIG. 3

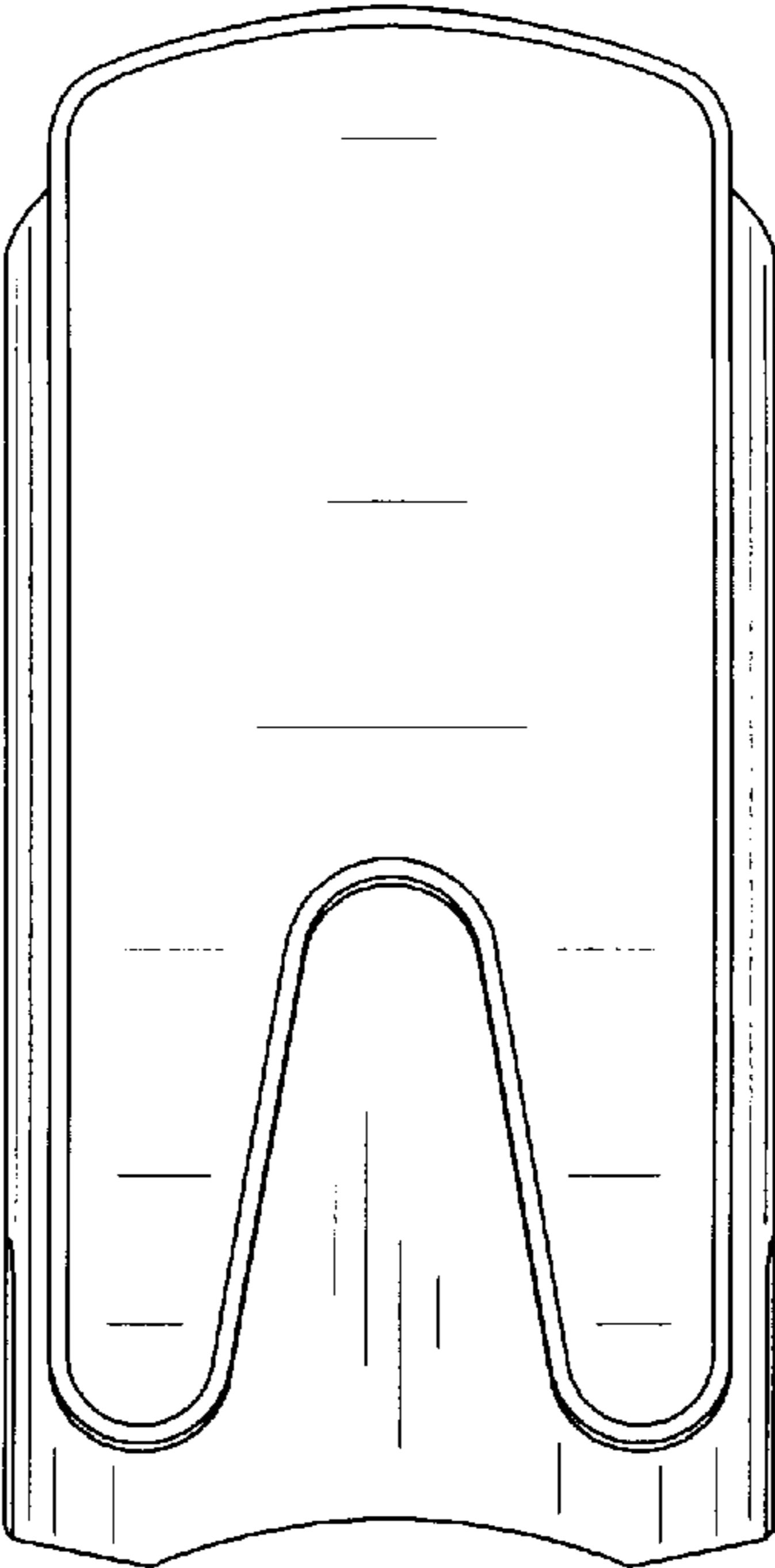


FIG. 4

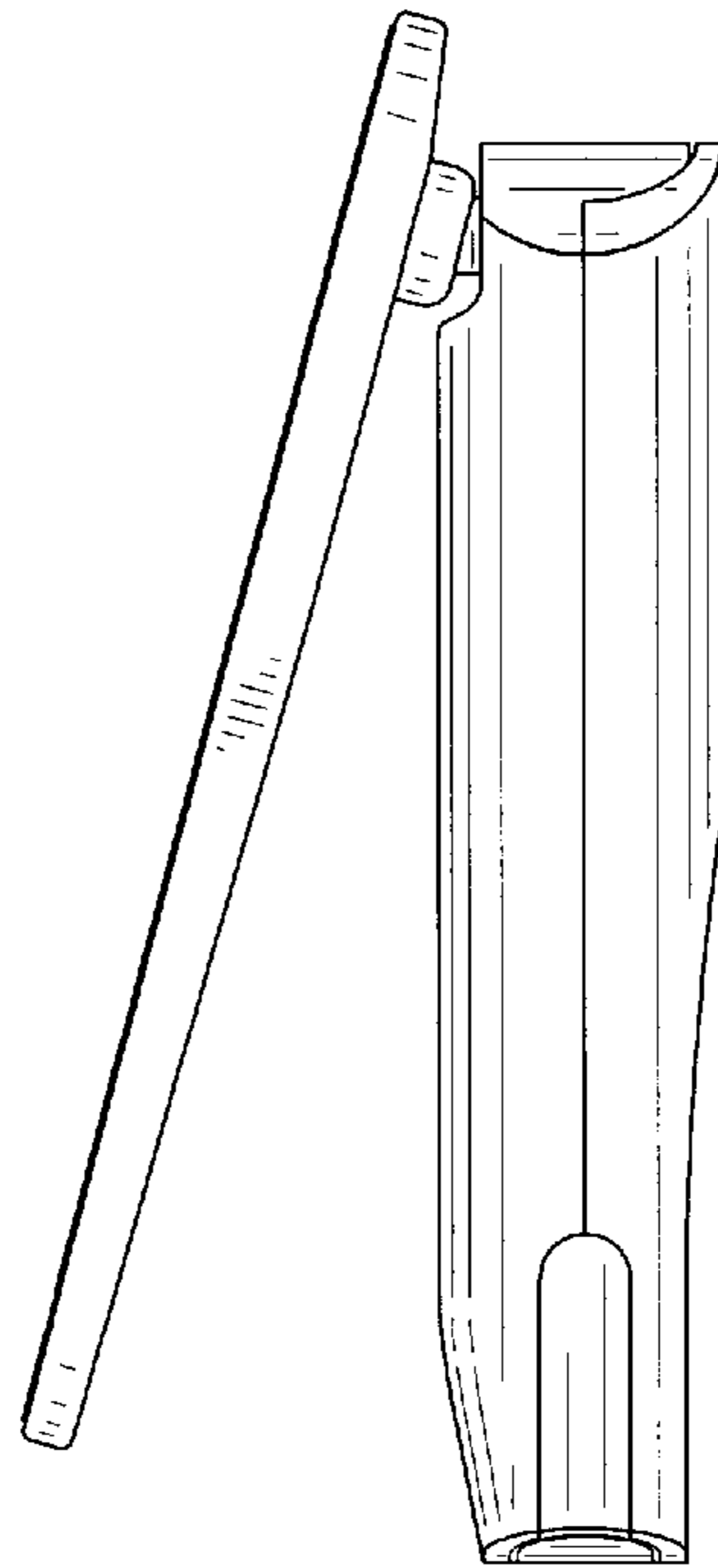


FIG. 5

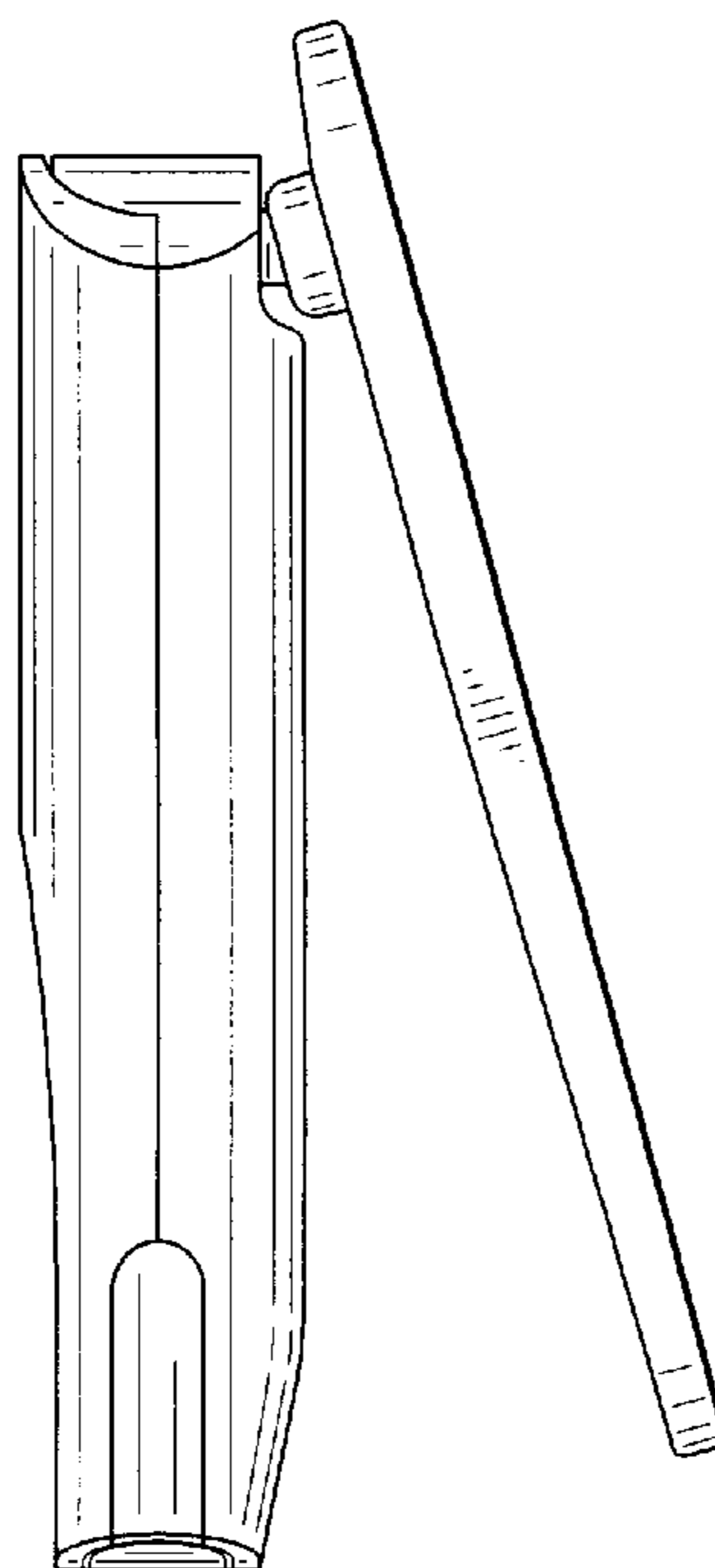


FIG. 6

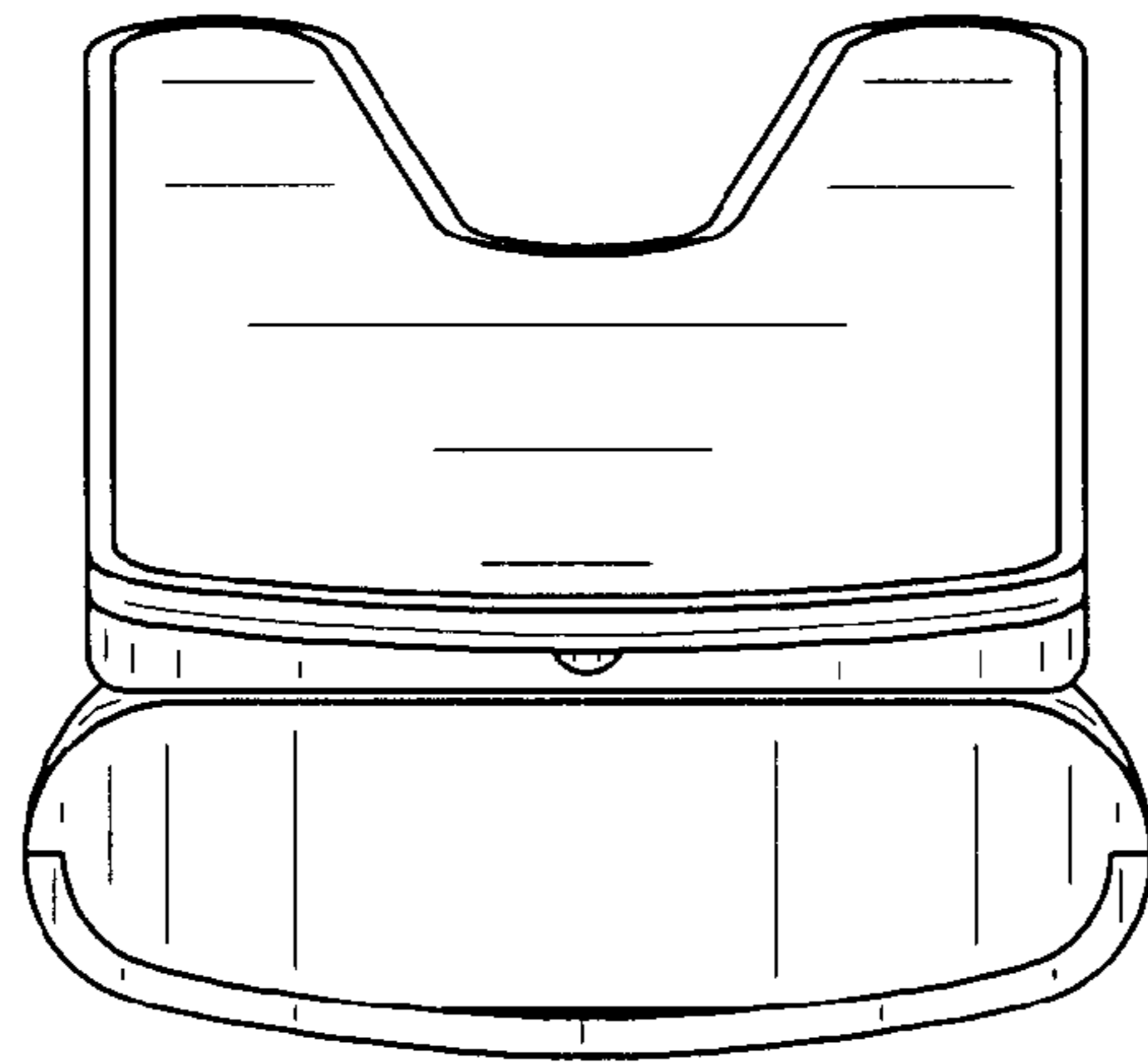


FIG. 7

