

US00D495334S1

(12) **United States Design Patent**  
**Wang et al.**

(10) **Patent No.:** **US D495,334 S**

(45) **Date of Patent:** **\*\* Aug. 31, 2004**

(54) **LIQUID CRYSTAL DISPLAY MONITOR**

(75) Inventors: **Chien-Jui Wang**, Taipei (TW);  
**Yung-Chuan Ma**, Taoyuan (TW);  
**Hsien-Chun Chang**, Taoyuan (TW)

(73) Assignee: **BENQ Corporation**, Taoyuan (TW)

(\*\*) Term: **14 Years**

(21) Appl. No.: **29/194,652**

(22) Filed: **Nov. 26, 2003**

(51) **LOC (7) Cl.** ..... **14-02**

(52) **U.S. Cl.** ..... **D14/375**

(58) **Field of Search** ..... D14/371-375,  
D14/125-129; 341/12; 345/104, 156, 168,  
173; 348/180, 184, 325, 739; 349/1, 2,  
11, 62

(56) **References Cited**

**U.S. PATENT DOCUMENTS**

D373,579 S \* 9/1996 Searby et al. .... D14/375  
D376,588 S \* 12/1996 Shinano ..... D14/374

D419,977 S \* 2/2000 Chuo ..... D14/375  
D458,604 S \* 6/2002 Ma et al. .... D14/375  
D479,209 S \* 9/2003 Teng et al. .... D14/126

\* cited by examiner

*Primary Examiner*—Freda S. Nunn

(74) *Attorney, Agent, or Firm*—Quintero Law Office

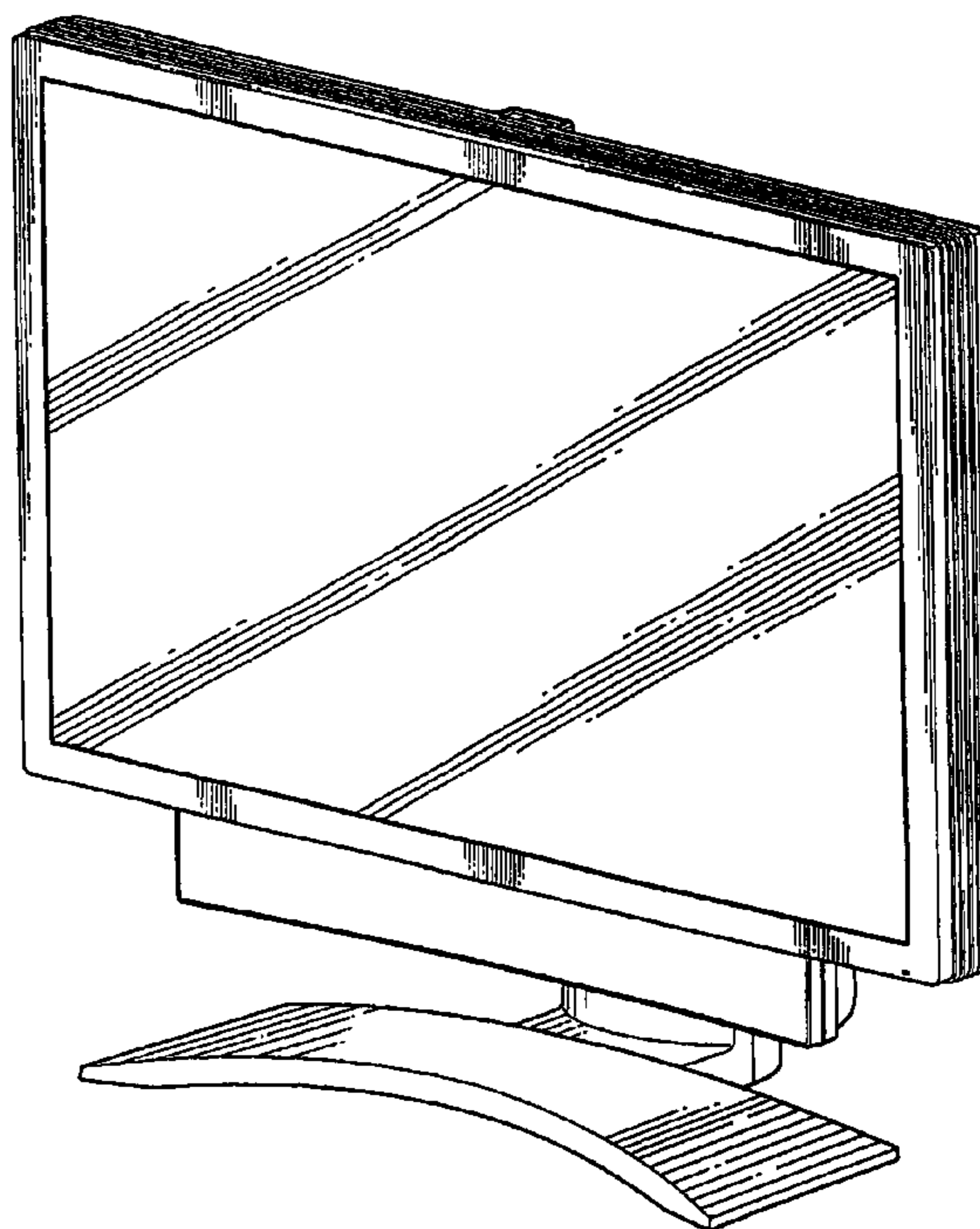
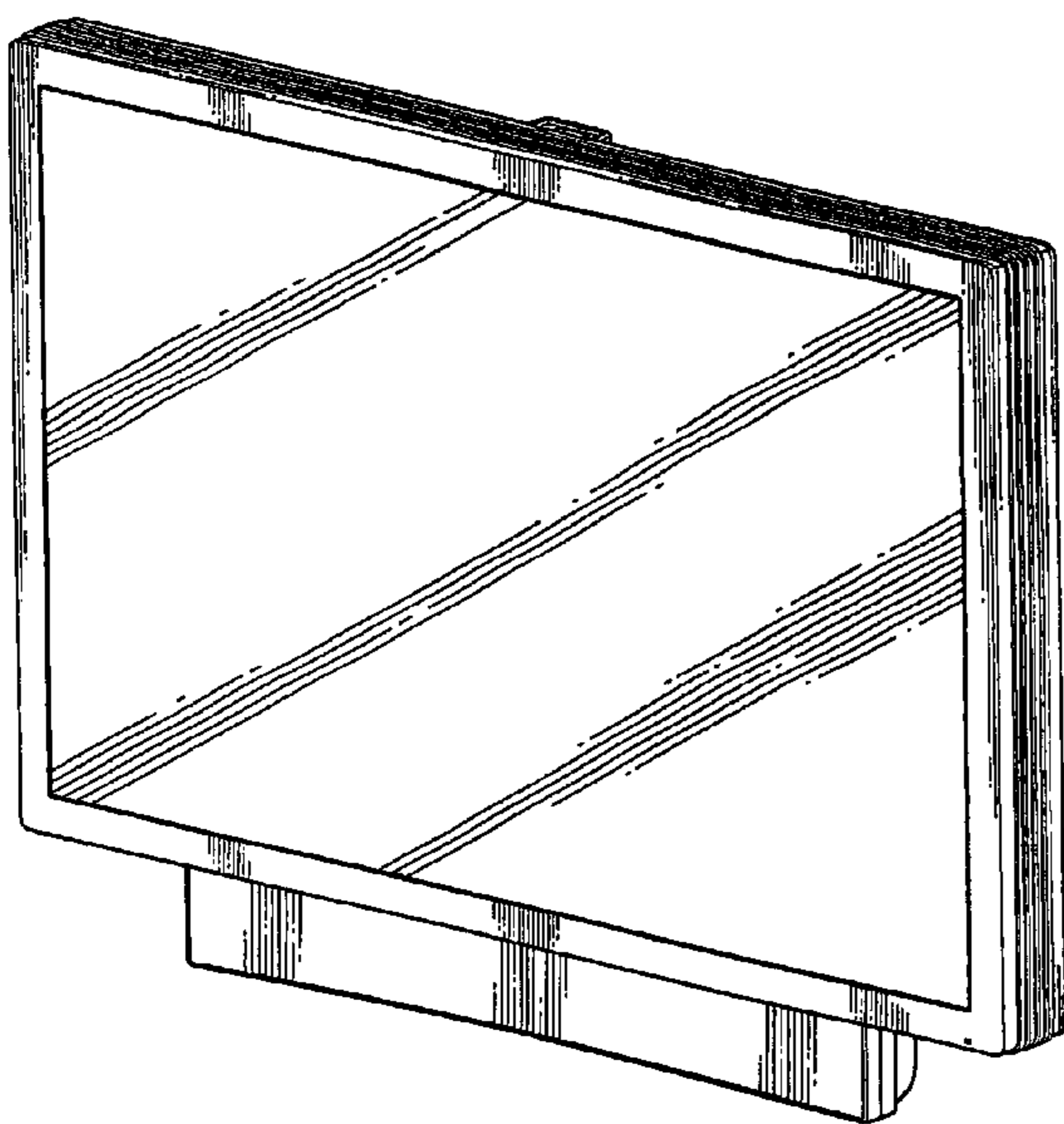
(57) **CLAIM**

The ornamental design for a liquid crystal display monitor,  
as shown and described.

**DESCRIPTION**

FIG. 1 is a perspective view thereof;  
FIG. 2 is a front elevational view thereof;  
FIG. 3 is a rear elevational view thereof;  
FIG. 4 is a left side elevational view thereof;  
FIG. 5 is a right side elevational view thereof;  
FIG. 6 is a top plane view thereof;  
FIG. 7 is a bottom plane view thereof;  
FIG. 8 is also a perspective view thereof; and,  
FIG. 9 is also a perspective view thereof.

**1 Claim, 8 Drawing Sheets**



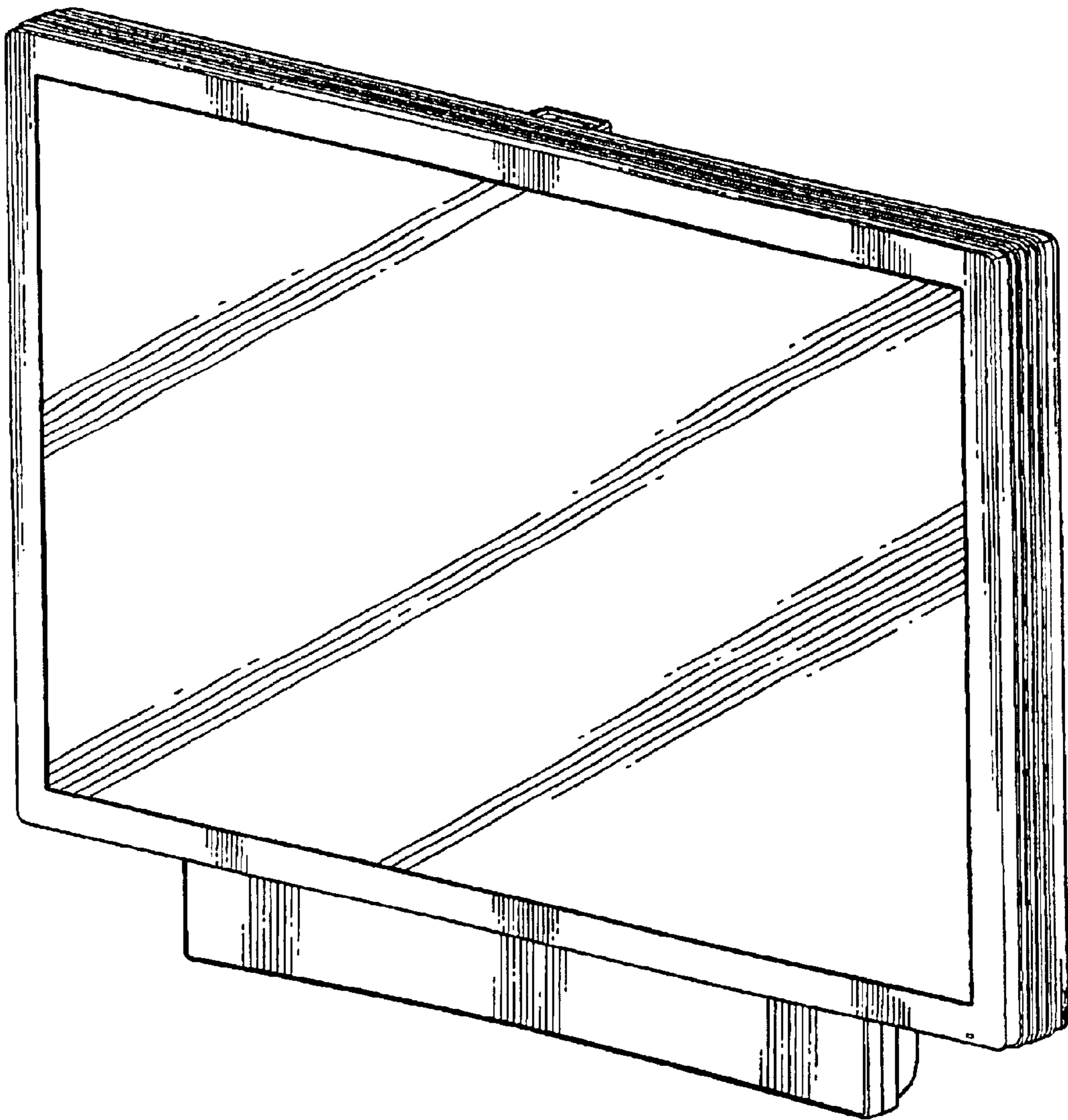


FIG. 1

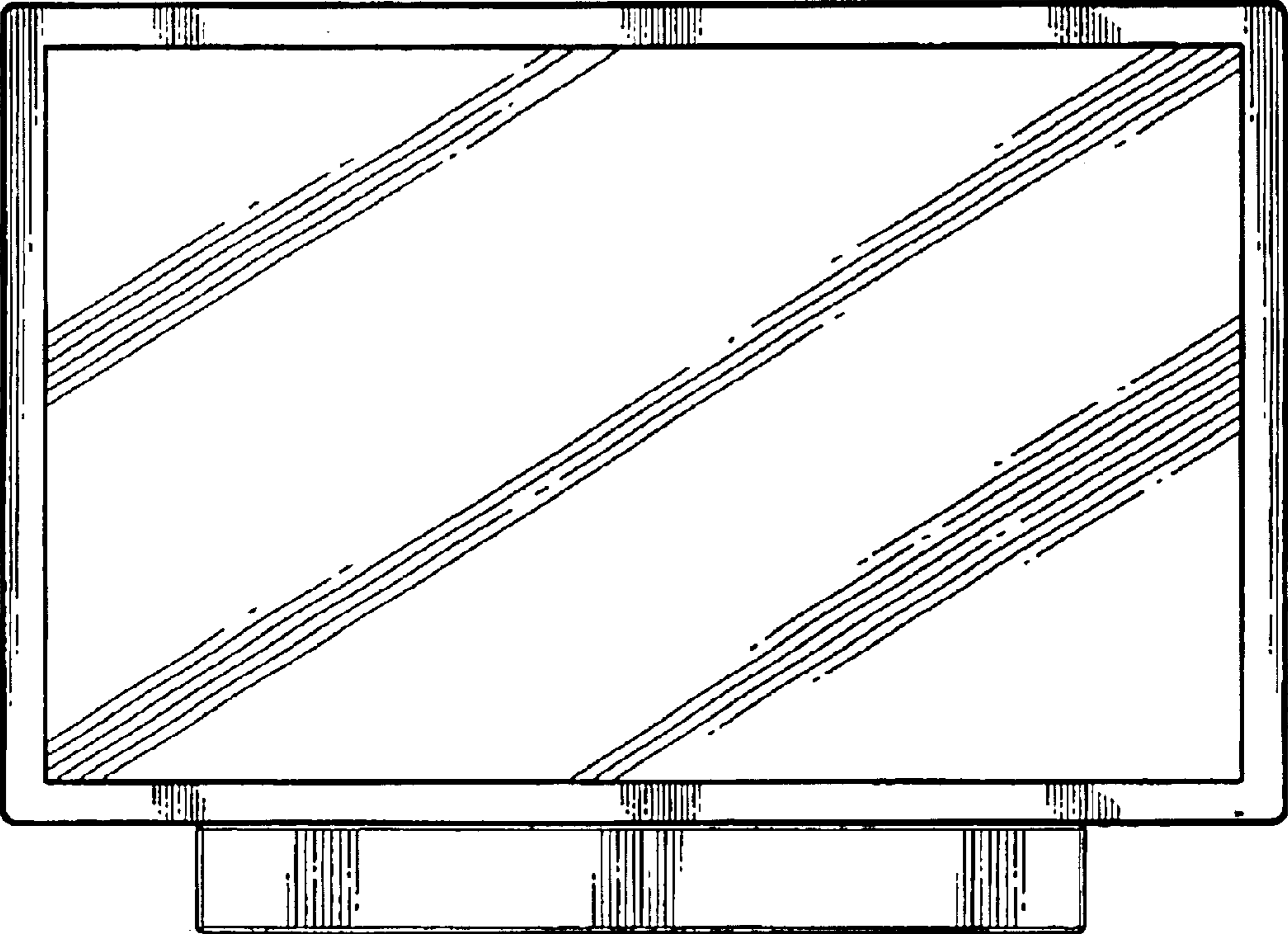


FIG. 2

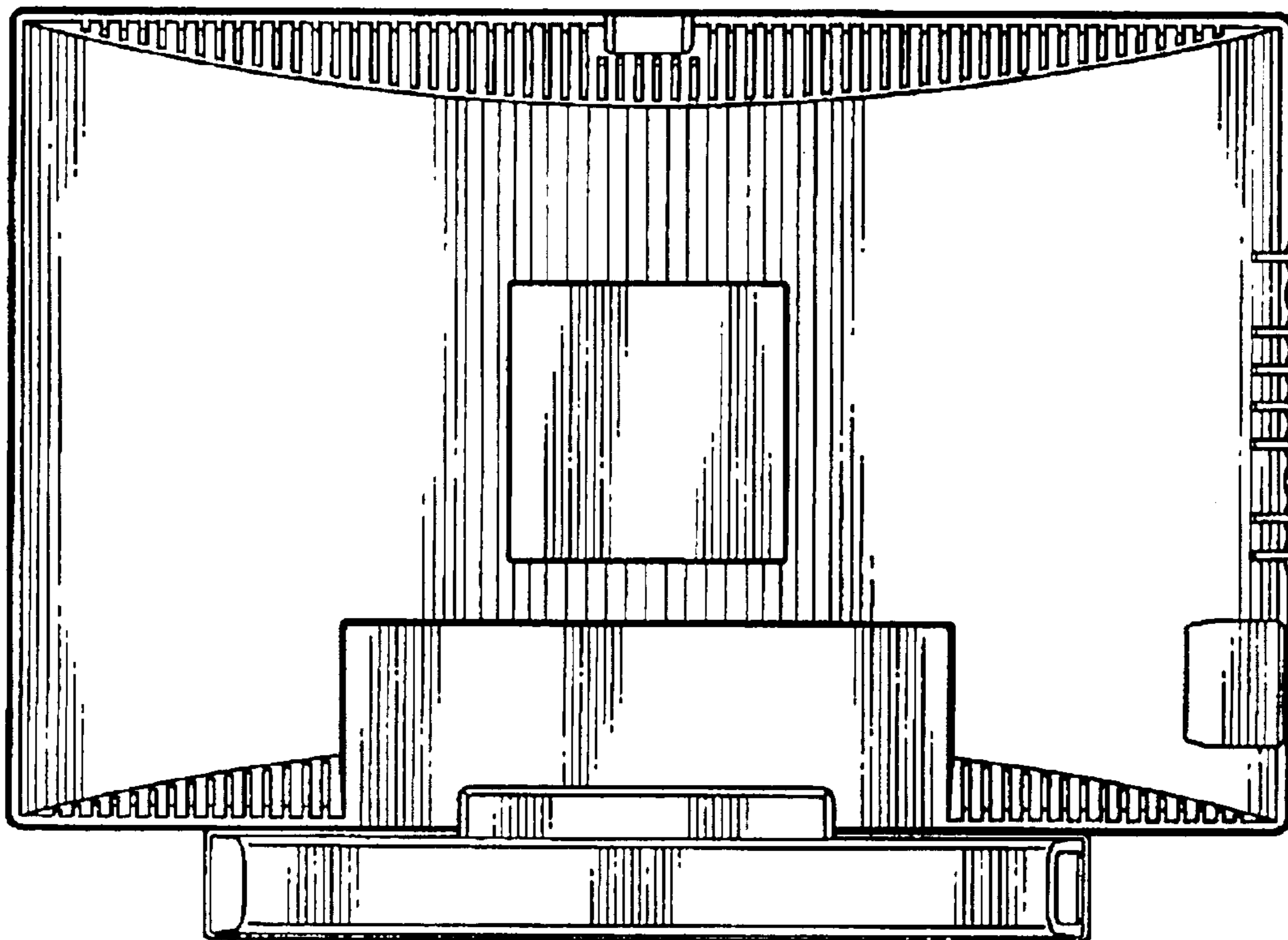


FIG. 3

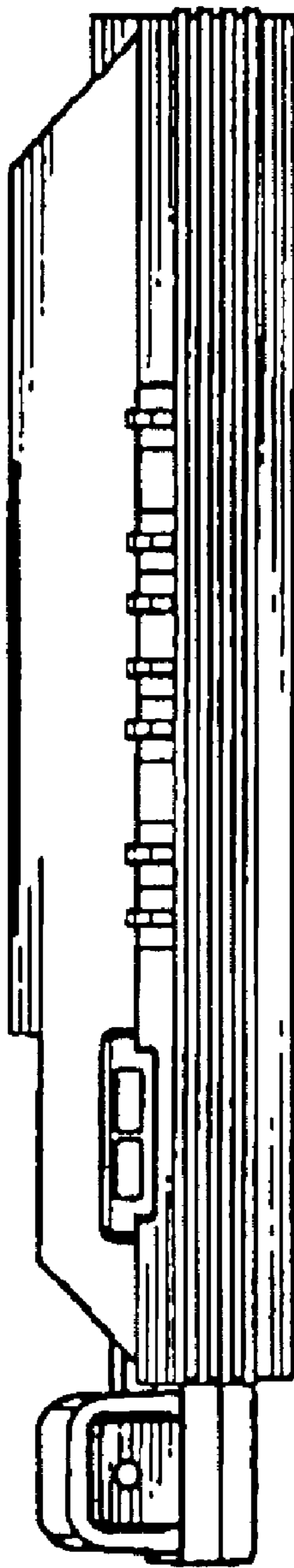


FIG. 4

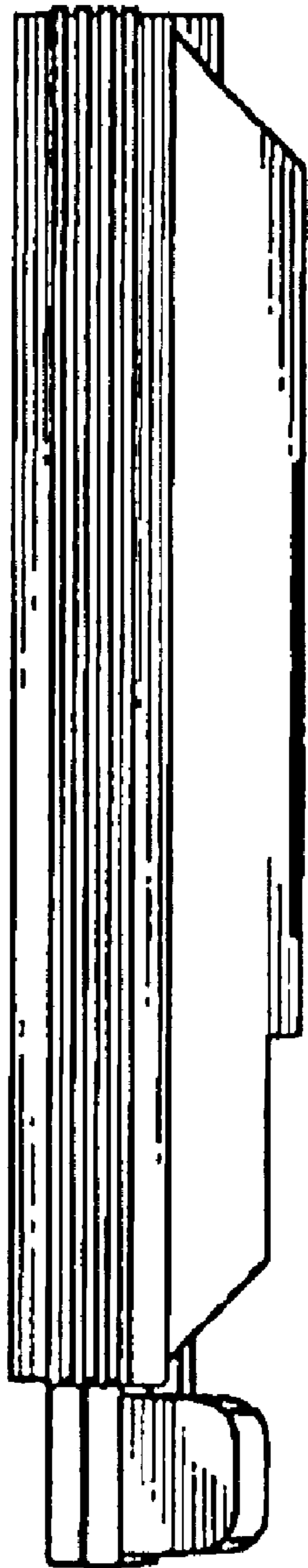


FIG. 5

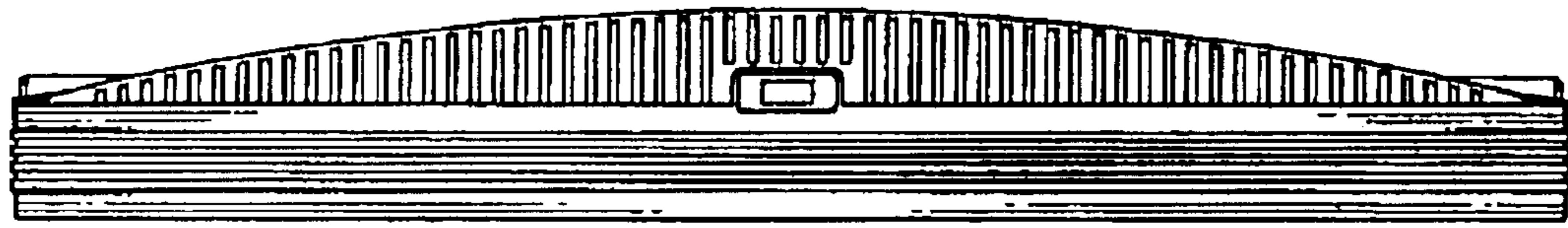


FIG. 6

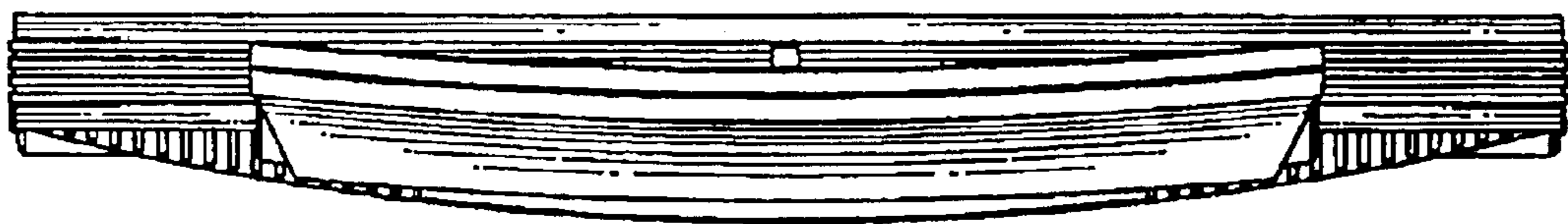


FIG. 7

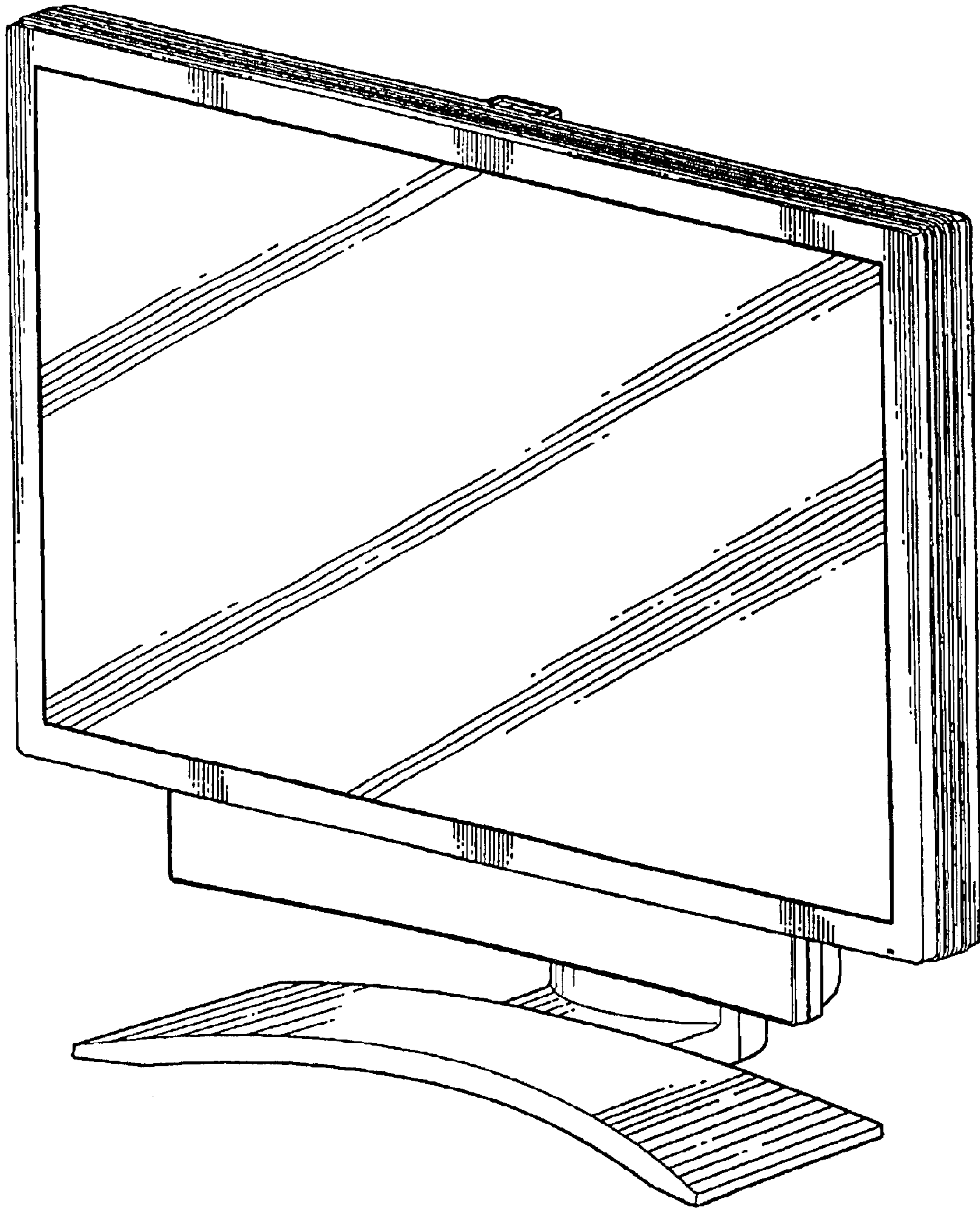


FIG. 8



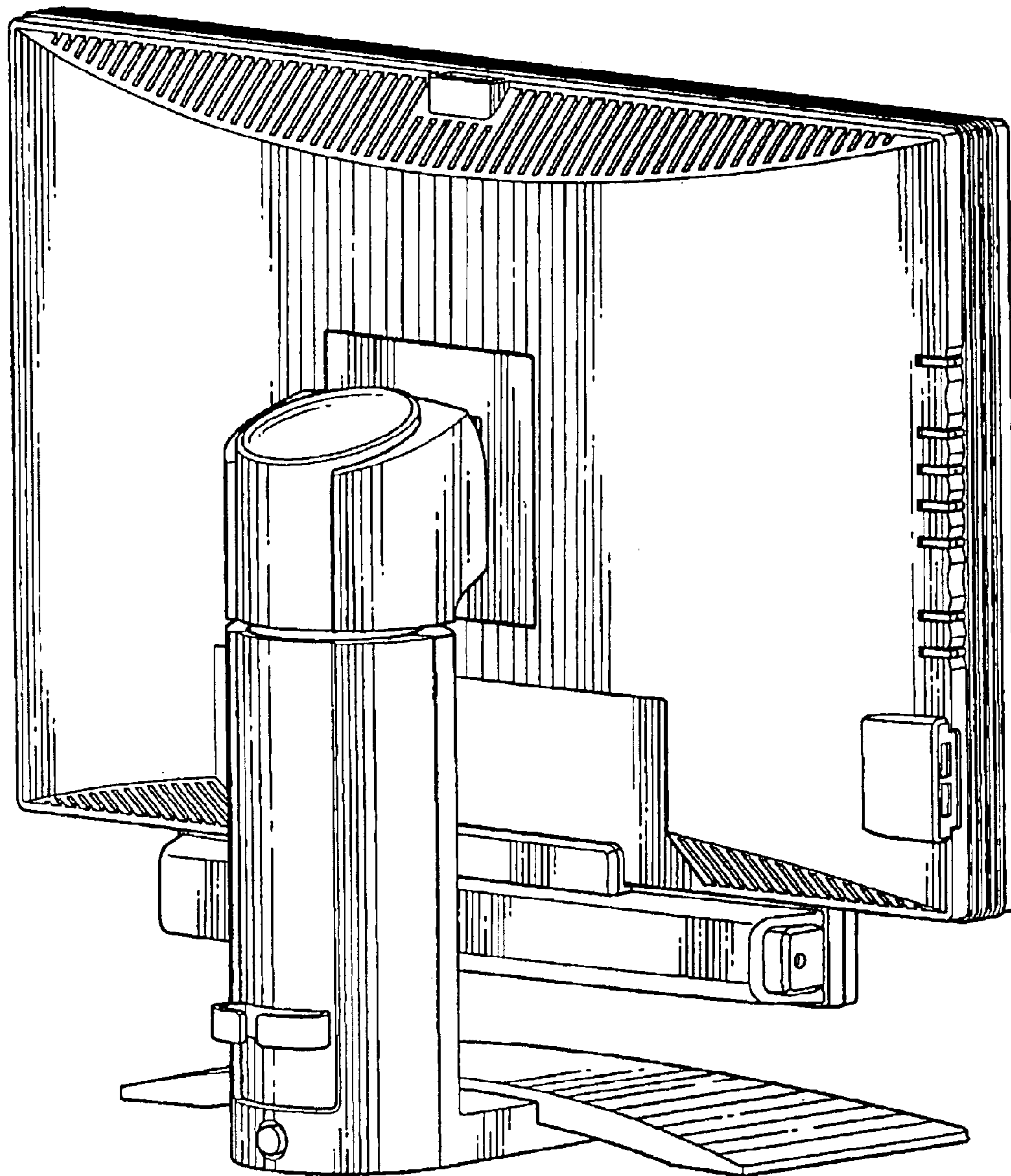


FIG. 9