

US00D495326S1

(12) **United States Design Patent**  
**Horiki**

(10) **Patent No.:** **US D495,326 S**

(45) **Date of Patent:** **\*\* Aug. 31, 2004**

(54) **PORTABLE COMPUTER**

D455,743 S \* 4/2002 Smith et al. .... D14/328  
D456,398 S \* 4/2002 Horiki ..... D14/328

(75) **Inventor:** **Toshio Horiki, Suita (JP)**

**OTHER PUBLICATIONS**

(73) **Assignee:** **Matsushita Electric Industrial Co., Ltd., Osaka (JP)**

Copy of Catalog published by Fujitsu, Nov. 2002.  
Copy of Catalog published by Toshiba, Nov. 2002.

(\*\*) **Term:** **14 Years**

\* cited by examiner

(21) **Appl. No.:** **29/185,225**

*Primary Examiner*—Freda S. Nunn

(22) **Filed:** **Jun. 24, 2003**

(74) *Attorney, Agent, or Firm*—Brinks Hofer Gilson & Lione

(30) **Foreign Application Priority Data**

Dec. 26, 2002 (JP) ..... 2002-036158

(57) **CLAIM**

The ornamental design for a portable computer, as shown and described.

(51) **LOC (7) Cl.** ..... **14-02**

**DESCRIPTION**

(52) **U.S. Cl.** ..... **D14/318**

(58) **Field of Search** ..... D14/318, 322,  
D14/324, 327, 328, 343; D18/1, 2, 7; 235/145 A,  
145 R; 341/22, 23; 345/104, 156, 168,  
169, 173; 361/680–686; 348/373

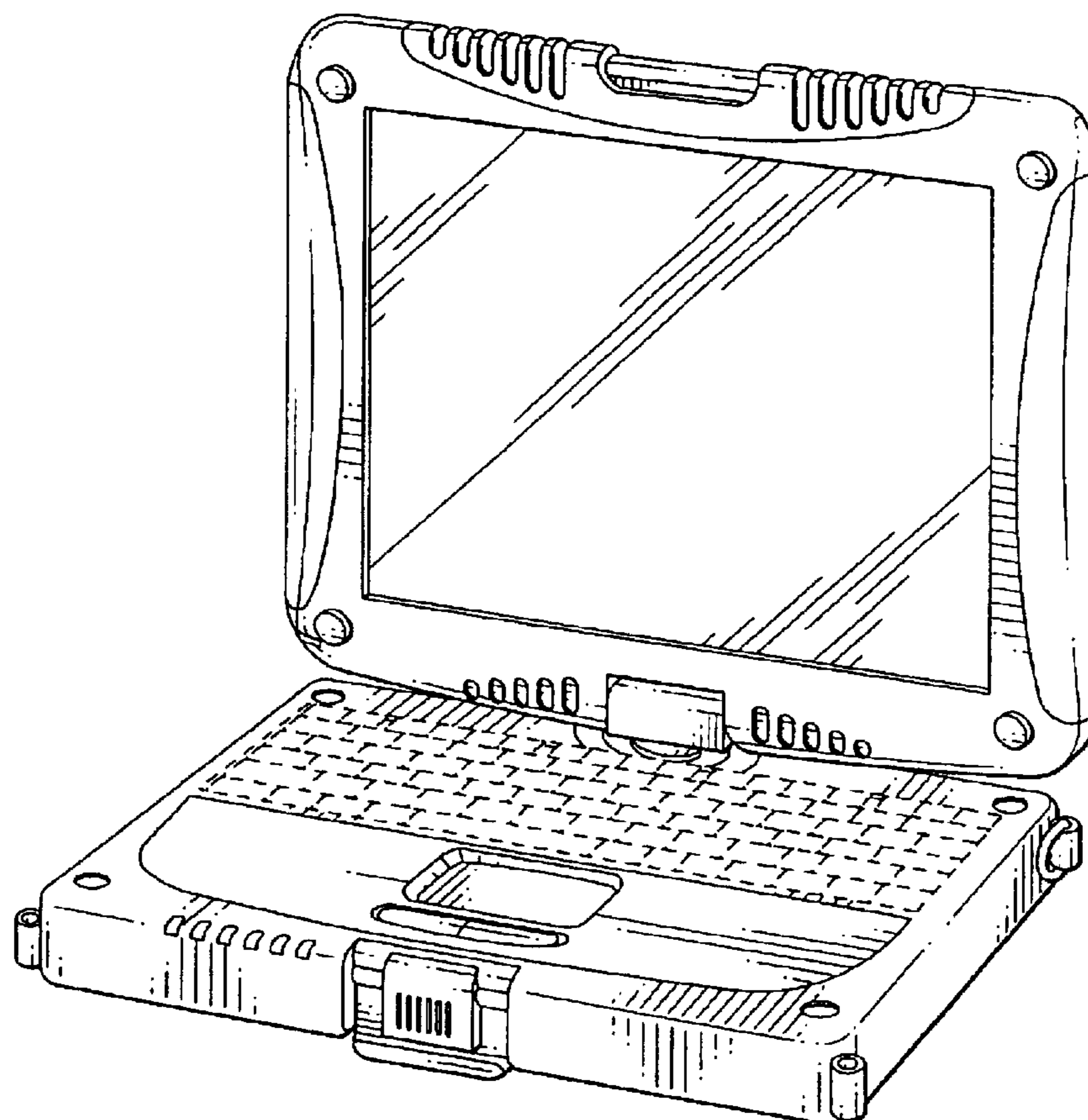
FIG. 1 is a top perspective view of a portable computer of the present invention;  
FIG. 2 is a front view thereof;  
FIG. 3 is a rear view thereof;  
FIG. 4 is a first side view thereof;  
FIG. 5 is a second side view thereof;  
FIG. 6 is a top view thereof; and,  
FIG. 7 is a bottom view thereof.

(56) **References Cited**

**U.S. PATENT DOCUMENTS**

D412,317 S \* 7/1999 Horiki et al. .... D14/318  
6,323,902 B1 \* 11/2001 Ishikawa ..... 348/373

**1 Claim, 7 Drawing Sheets**



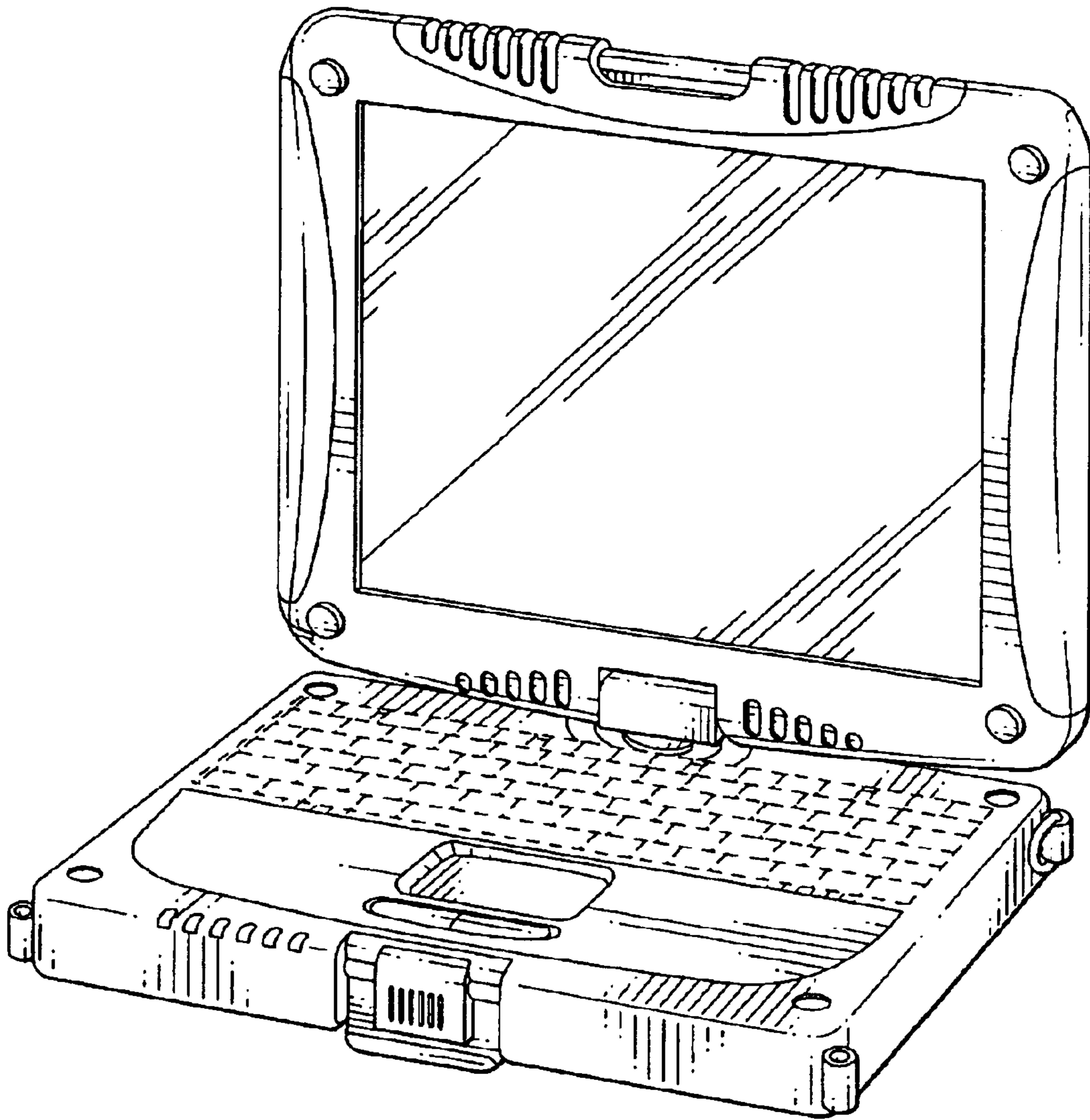


FIG. 1

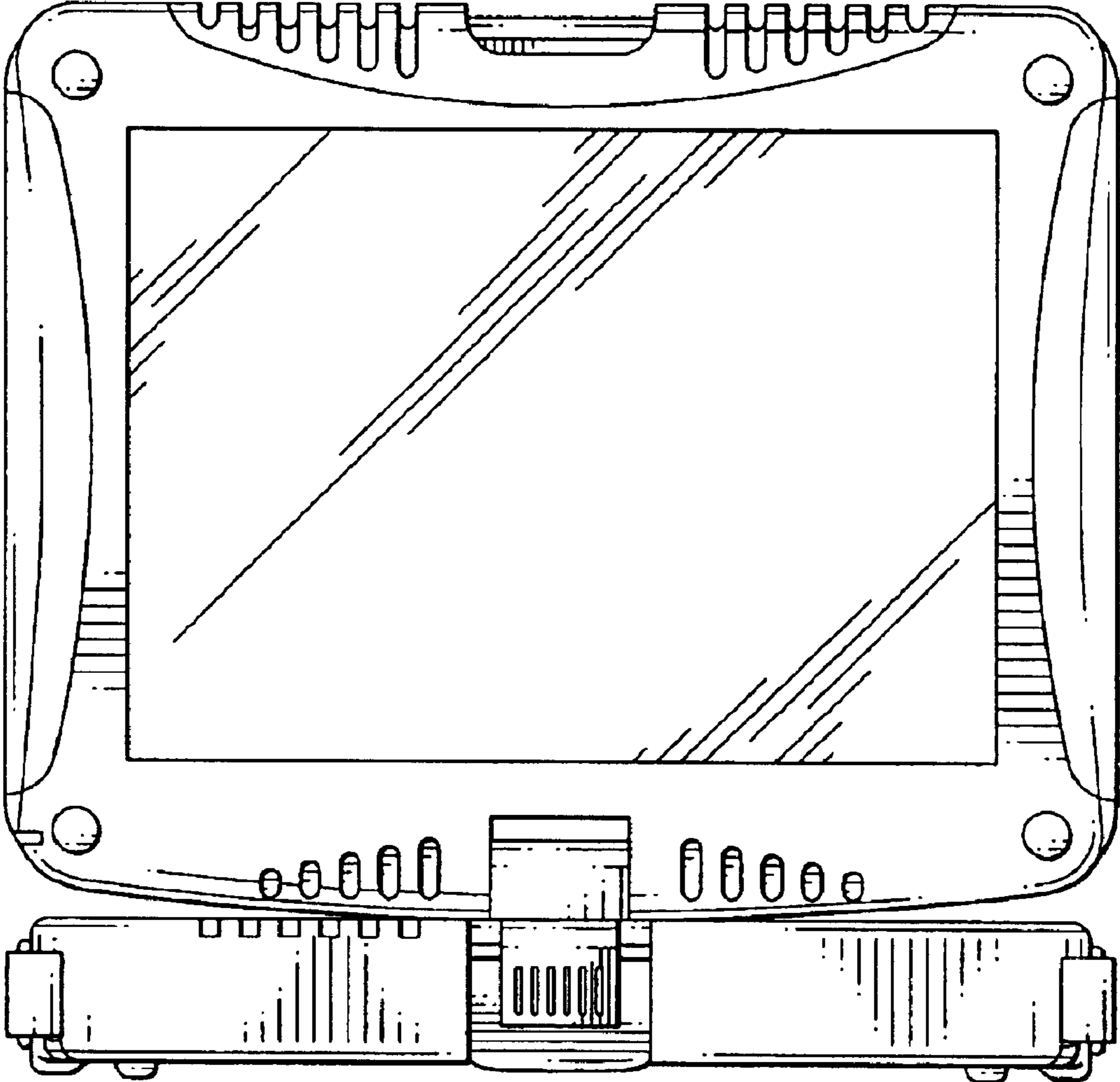


FIG. 2

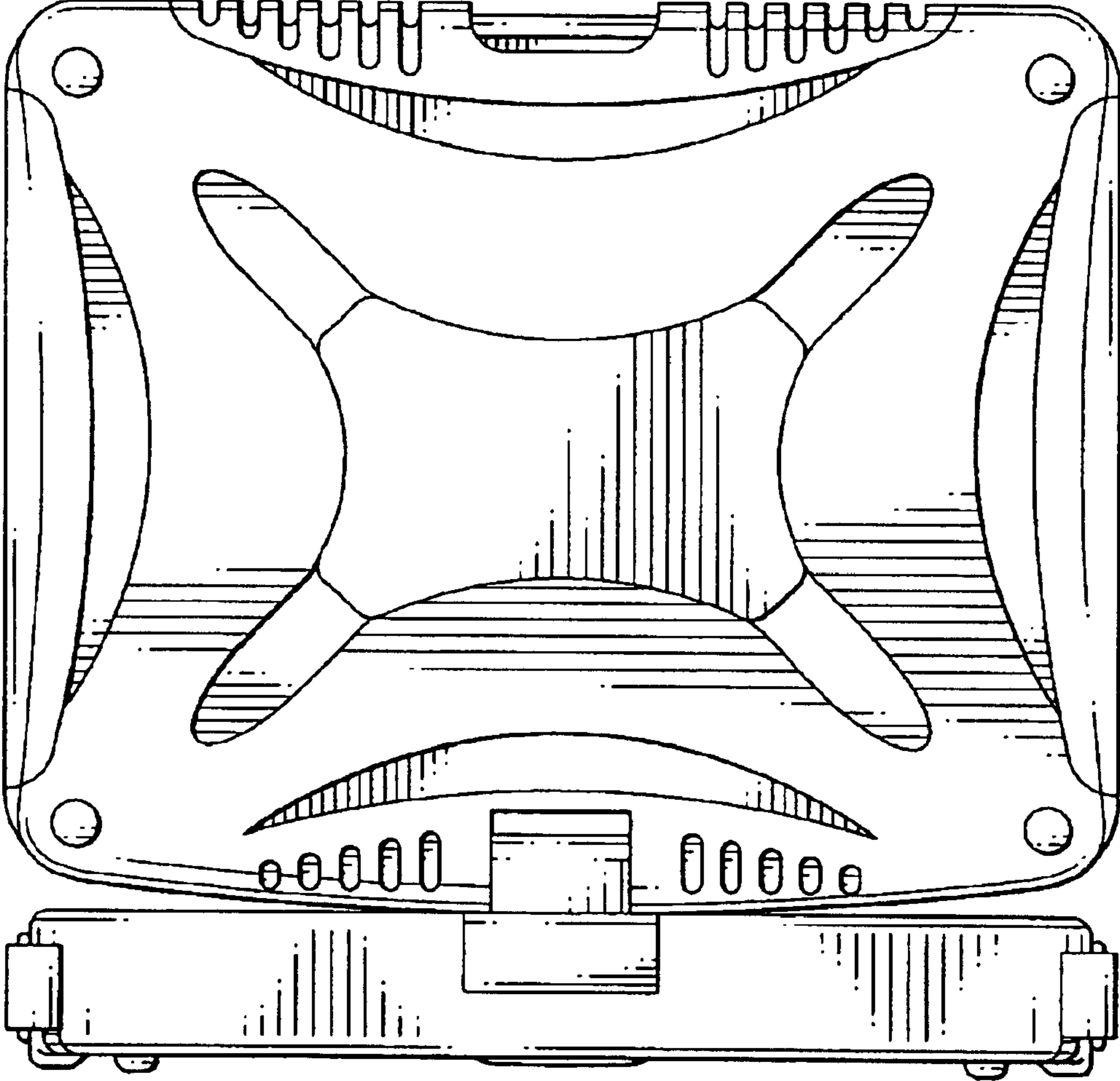


FIG. 3

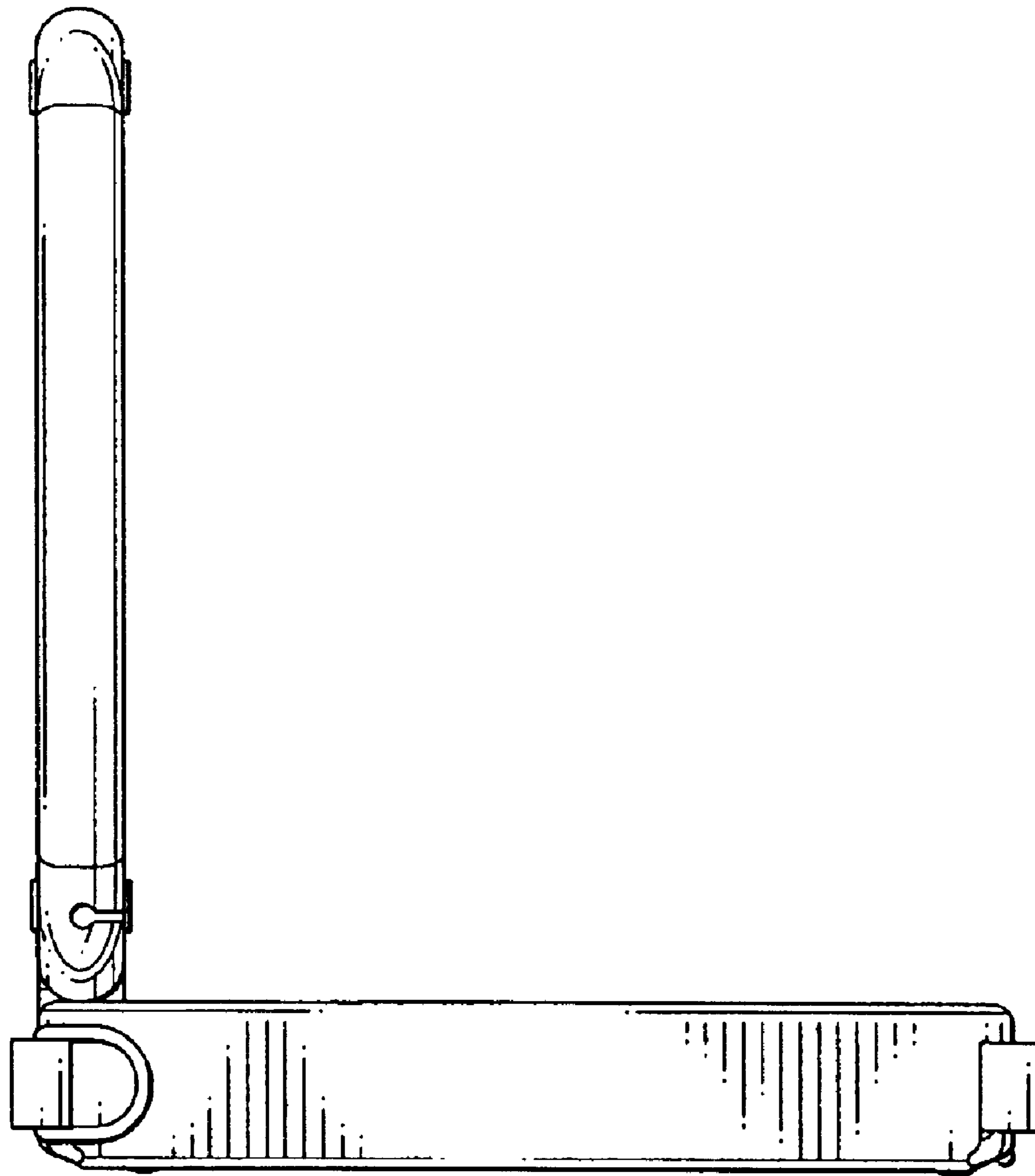


FIG. 4

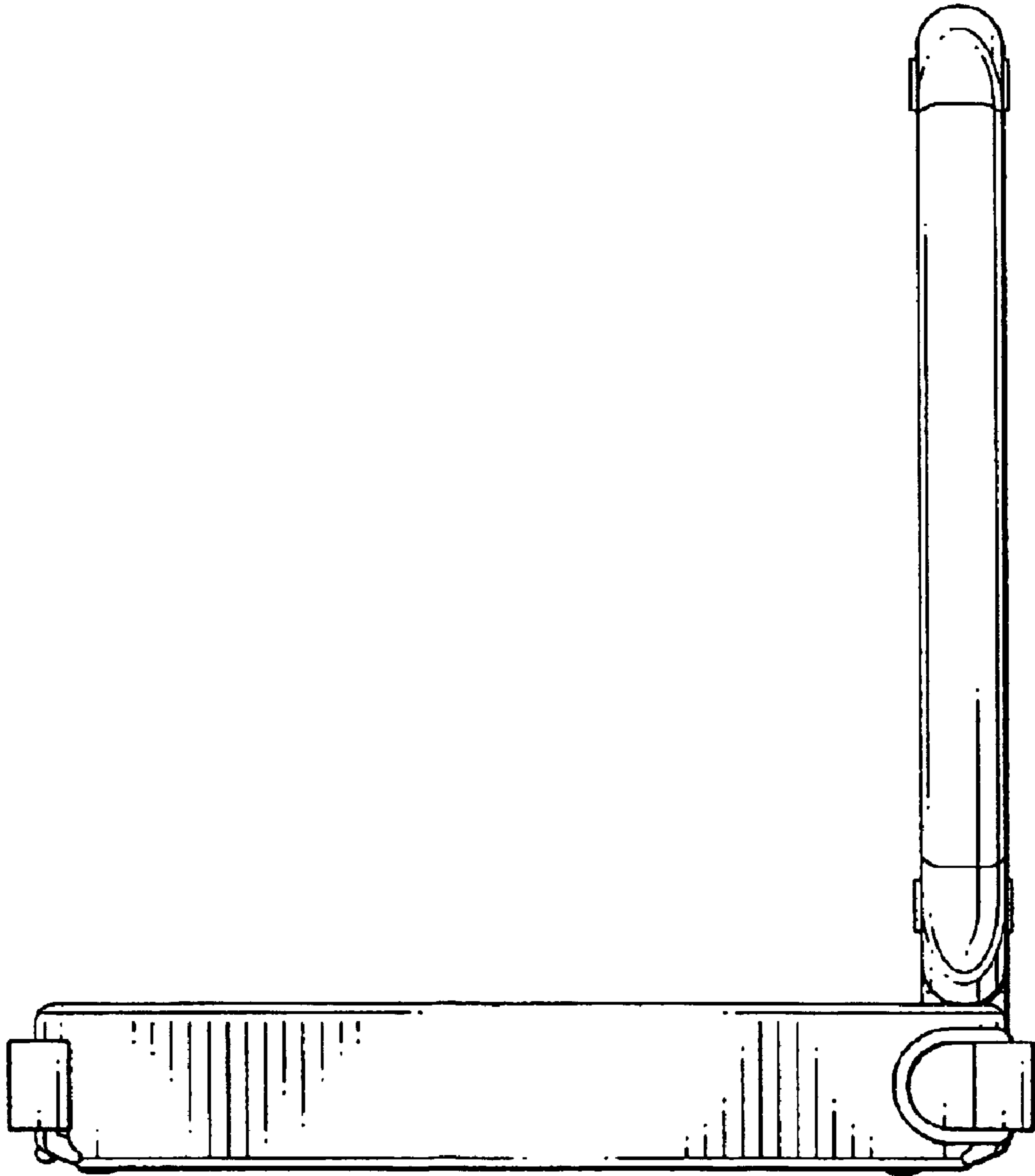


FIG. 5

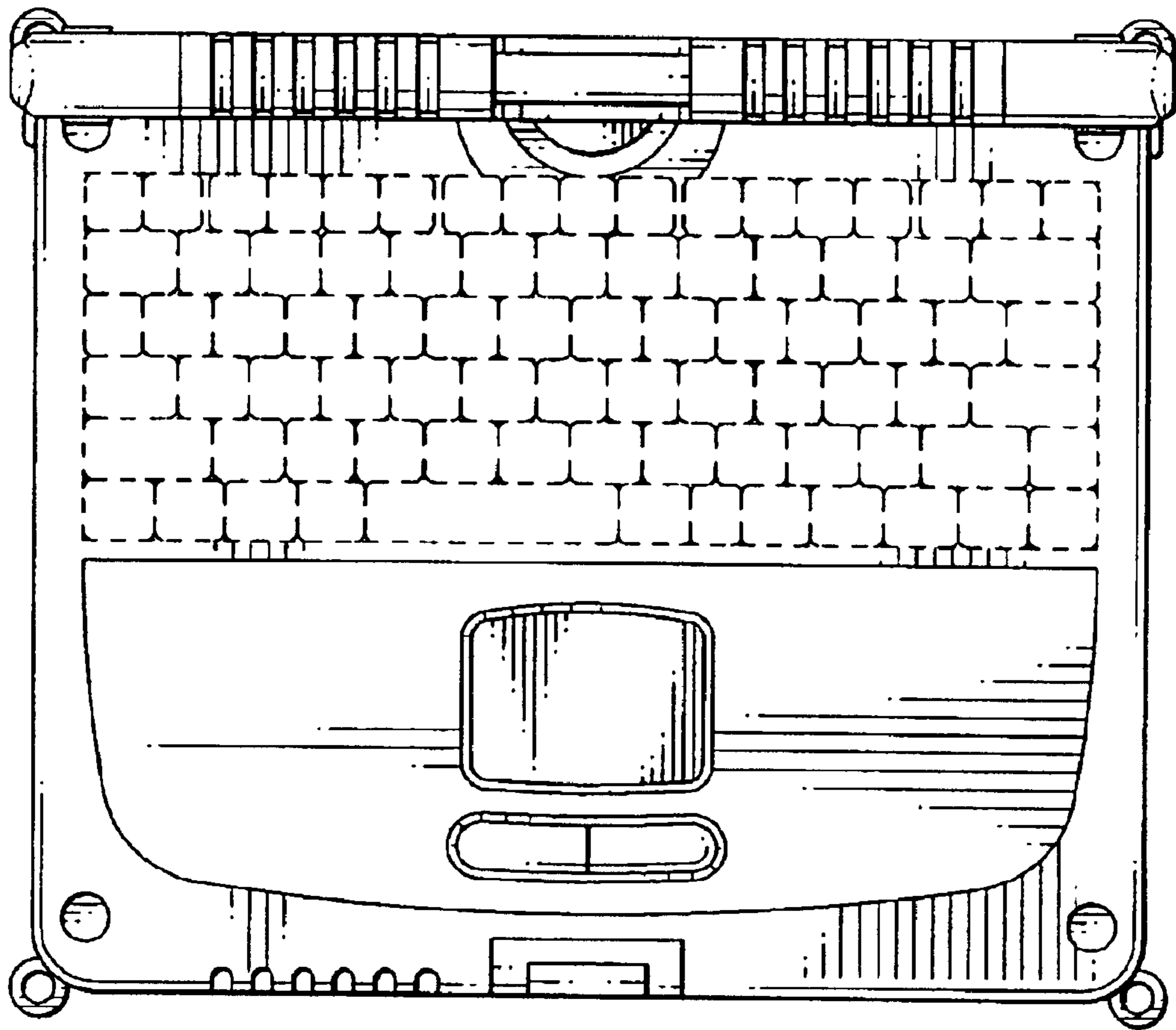


FIG. 6

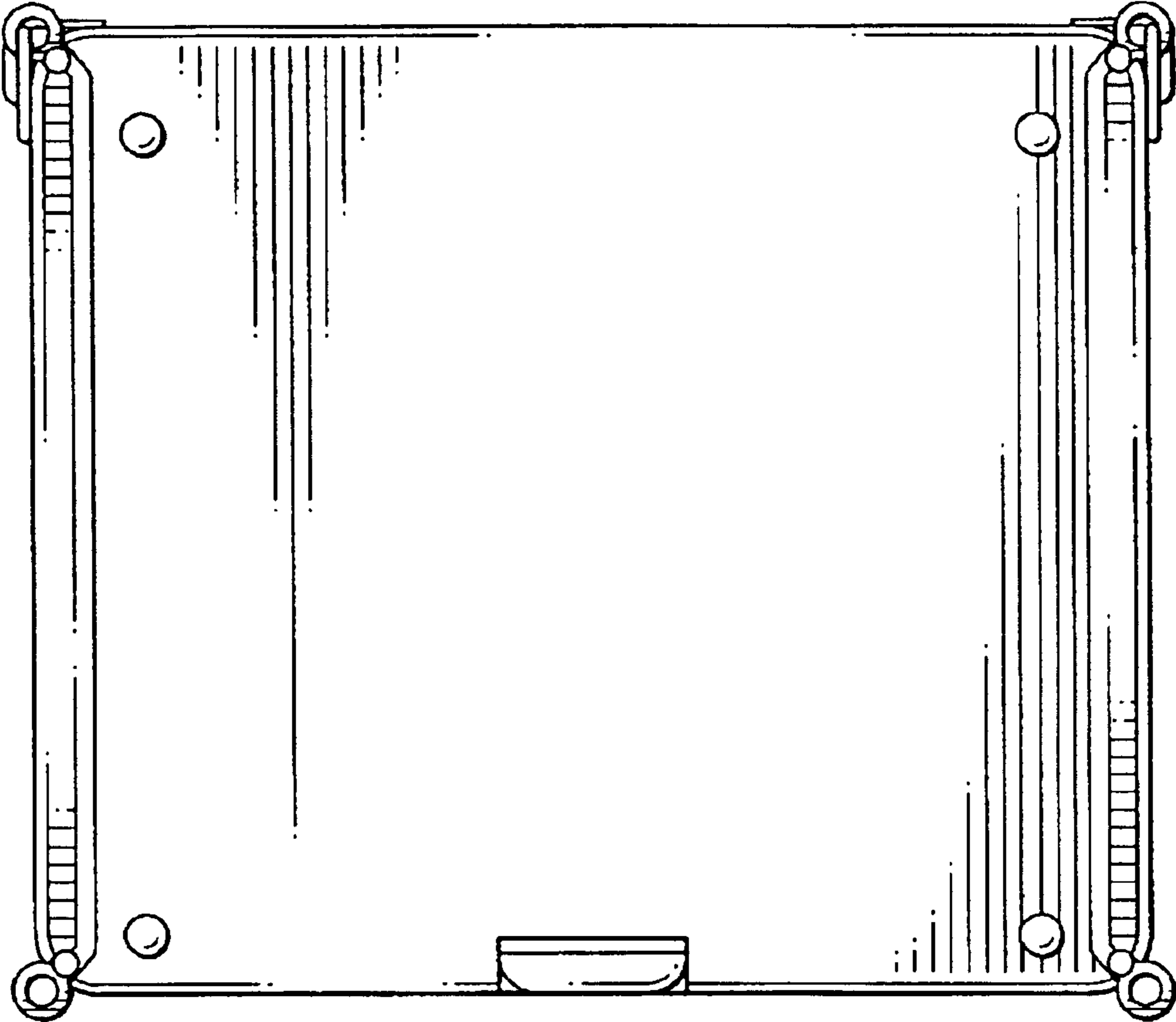


FIG. 7