

US00D495323S1

(12) **United States Design Patent** (10) **Patent No.:** **US D495,323 S**  
**Husgafvel** (45) **Date of Patent:** **\*\* Aug. 31, 2004**

(54) **PORTION OF A HANDSET**

(75) Inventor: **Ilkka Husgafvel**, Tampere (FI)

(73) Assignee: **Nokia Corporation**, Espoo (FI)

(\*\*) Term: **14 Years**

D427,171 S 6/2000 Frye et al.  
D432,511 S 10/2000 Eckholm  
D434,739 S 12/2000 Hanna et al.  
D442,569 S 5/2001 Hanna et al.  
D443,600 S \* 6/2001 Ogawa ..... D14/138

(List continued on next page.)

(21) Appl. No.: **29/193,071**

(22) Filed: **Nov. 4, 2003**

**Related U.S. Application Data**

(62) Division of application No. 29/160,373, filed on May 10, 2002, now Pat. No. Des. 481,692.

(30) **Foreign Application Priority Data**

Nov. 13, 2001 (FI) ..... M 20010755

(51) **LOC (7) Cl.** ..... **14-03**

(52) **U.S. Cl.** ..... **D14/247**

(58) **Field of Search** ..... D14/137, 192,  
D14/138, 218, 147-148, 247-248, 144,  
401, 341-347, 191; 379/433.01-433.13,  
419, 434, 428.01-428.04, 420.01-420.04,  
440; D10/65, 78; 455/550.1-90.3; D21/517,  
329, 331; D13/168; D18/2, 7; 345/168,  
169

(56) **References Cited**

**U.S. PATENT DOCUMENTS**

5,335,274 A 8/1994 Masuda et al.  
D369,796 S 5/1996 Grewe  
D406,131 S 2/1999 Osthues  
D409,204 S \* 5/1999 Vuolteenaho ..... D14/247  
D416,253 S 11/1999 Hibino  
D422,595 S 4/2000 Taylor et al.  
D423,493 S 4/2000 Hakoda  
D424,029 S 5/2000 Collins  
D424,571 S \* 5/2000 Finkbeiner ..... D14/247

**FOREIGN PATENT DOCUMENTS**

AU 144901 8/2001  
JP 1086844 10/2000  
JP 1088577 10/2000  
JP 1105439 4/2001  
JP 1120255 9/2001  
JP 1123983 \* 10/2001  
JP 1124434 \* 10/2001  
WO WO DM/057007 9/2001  
WO DM/062368 \* 12/2002 ..... 14/3

*Primary Examiner*—Jeffrey Asch

(74) *Attorney, Agent, or Firm*—Banner & Witcoff, Ltd.

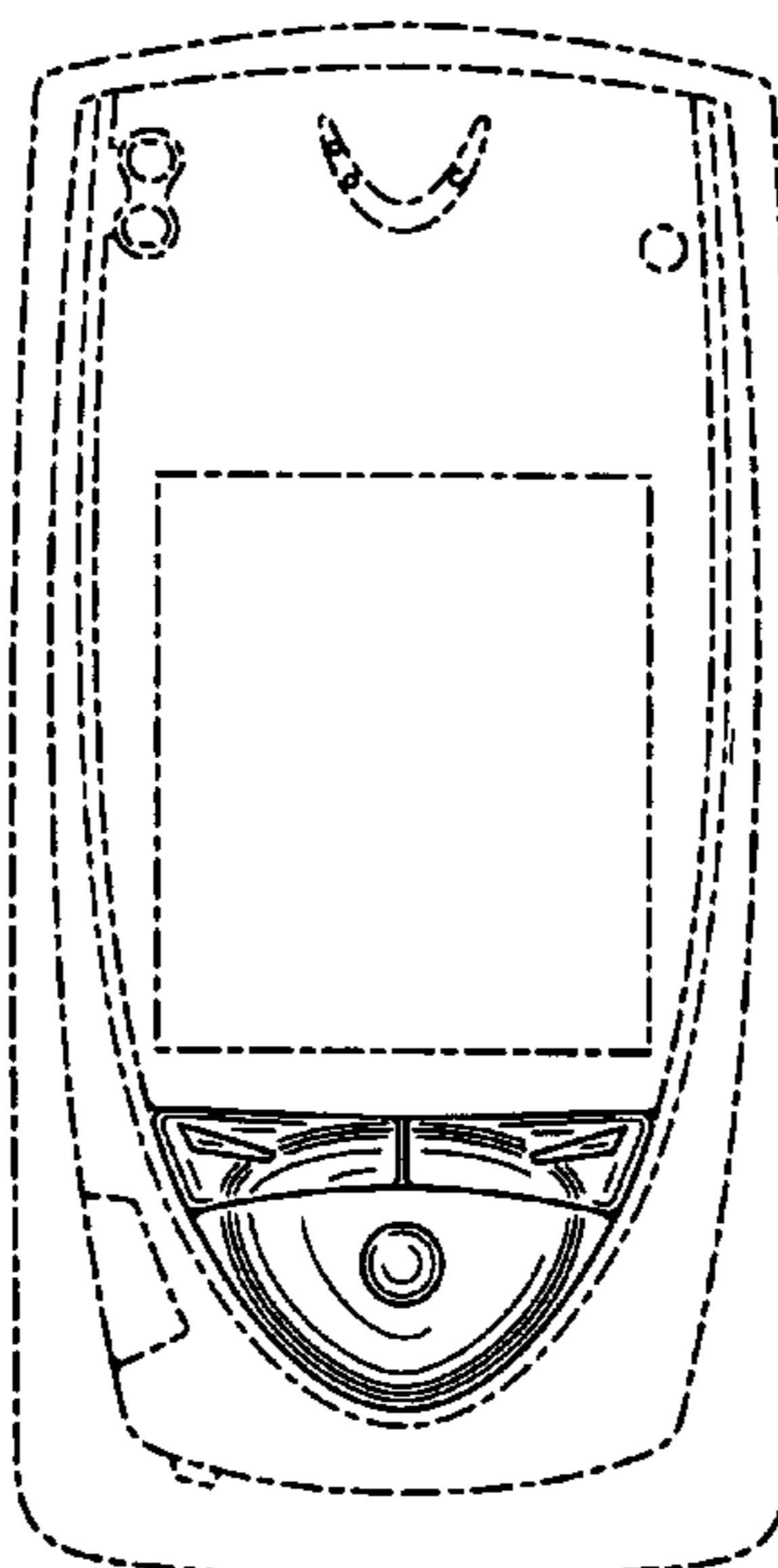
(57) **CLAIM**

The ornamental design for a portion of a handset, as shown and described.

**DESCRIPTION**

FIG. 1 is a front view of a portion of a handset, with the handset shown in a first configuration, showing my new design;  
FIG. 2 is a front view of the portion of a handset, with the handset shown in a second configuration; and,  
FIG. 3 is a front perspective view of the portion of the handset, with the handset shown in the second configuration. The broken line showing of the remainder of the handset, in both the first and second configurations, is for illustrative purposes only and forms no part of the claimed design. The unshown portions of the handset form no part of the claimed design.

**1 Claim, 3 Drawing Sheets**



# US D495,323 S

Page 2

## U.S. PATENT DOCUMENTS

6,249,672 B1	6/2001	Castiel	
D445,409 S	7/2001	Segers	
D448,020 S	9/2001	Higashi et al.	
D448,021 S	* 9/2001	Arbisi et al.	D14/248
D448,367 S	* 9/2001	Johansson	D14/247
6,308,084 B1	10/2001	Lonka	
D451,079 S	11/2001	Ali	
D455,737 S	* 4/2002	Salmi et al.	D14/247
D457,883 S	5/2002	Sugioka et al.	
D459,327 S	6/2002	Ali	
D459,328 S	* 6/2002	Kurimoto	D14/138
D460,448 S	7/2002	Matsumoto	
D461,185 S	8/2002	Ando	
D465,219 S	11/2002	Tamaki et al.	
D466,096 S	11/2002	Takada	
D466,889 S	* 12/2002	Takada	D14/247
D468,304 S	* 1/2003	Ruohonen	D14/247
D469,367 S	1/2003	Mirabelli et al.	
D469,757 S	* 2/2003	Majanen	D14/247
D469,758 S	* 2/2003	Langford	D14/247
D471,901 S	* 3/2003	Dalby et al.	D14/247
D471,903 S	* 3/2003	Burns et al.	D14/247
D475,999 S	* 6/2003	Pottie et al.	D14/247
D476,648 S	* 7/2003	Salmi	D14/247
D476,983 S	* 7/2003	Salmi	D14/247
D479,215 S	* 9/2003	Yokoyama	D14/138
D481,381 S	* 10/2003	Toor et al.	D14/247
D481,692 S	* 11/2003	Husgafvel	D14/138
D481,711 S	* 11/2003	Vuolteenaho	D14/247
D482,682 S	* 11/2003	Lehtonen	D14/247
D487,886 S	* 3/2004	Ho-Cheun et al.	D14/138
6,718,188 B1	* 4/2004	Ohira et al.	455/575.1
2003/0064688 A1	* 4/2003	Mizuta et al.	455/90
2003/0073467 A1	* 4/2003	Tanaka et al.	455/567

\* cited by examiner

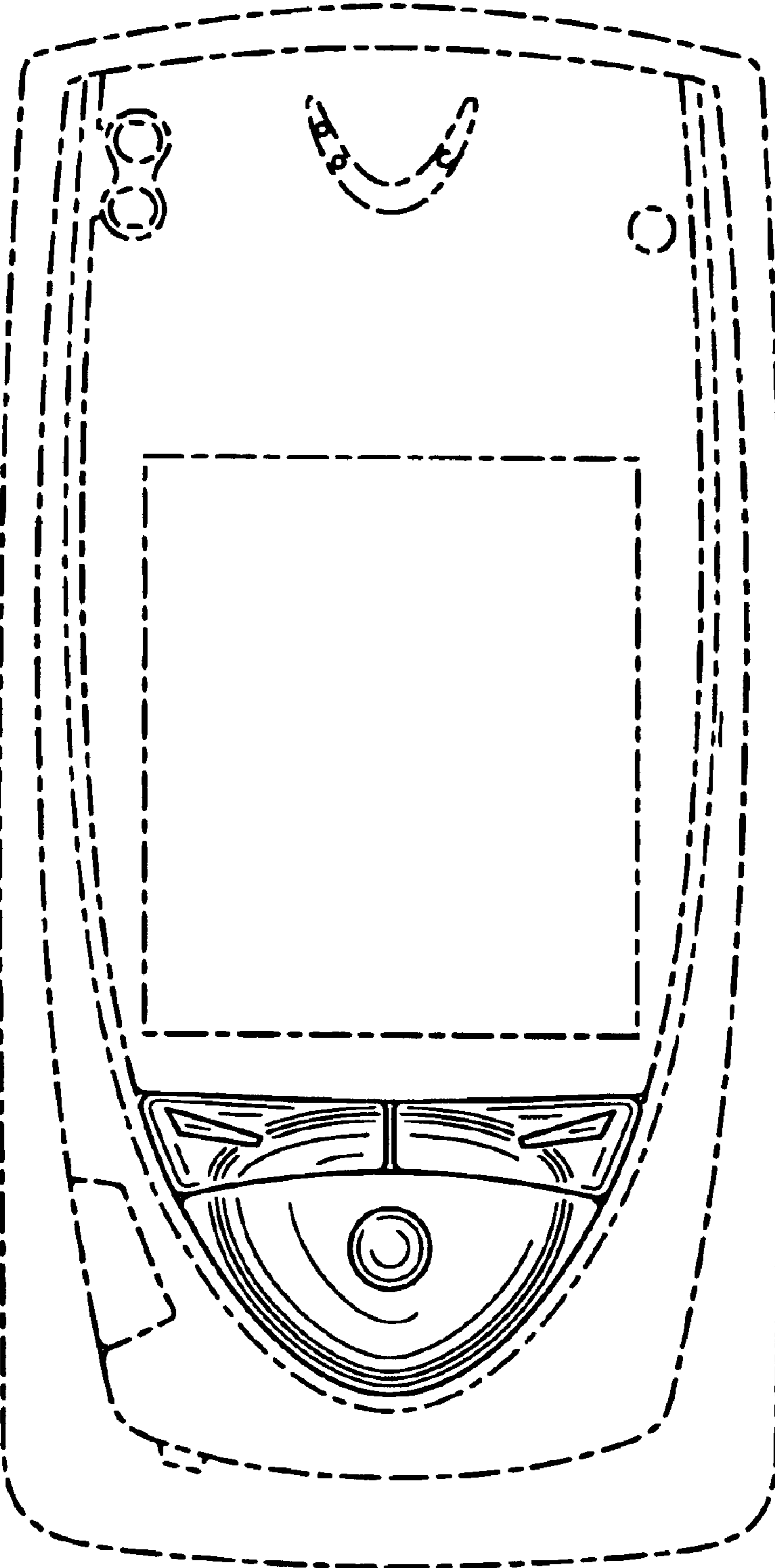


FIG. 1

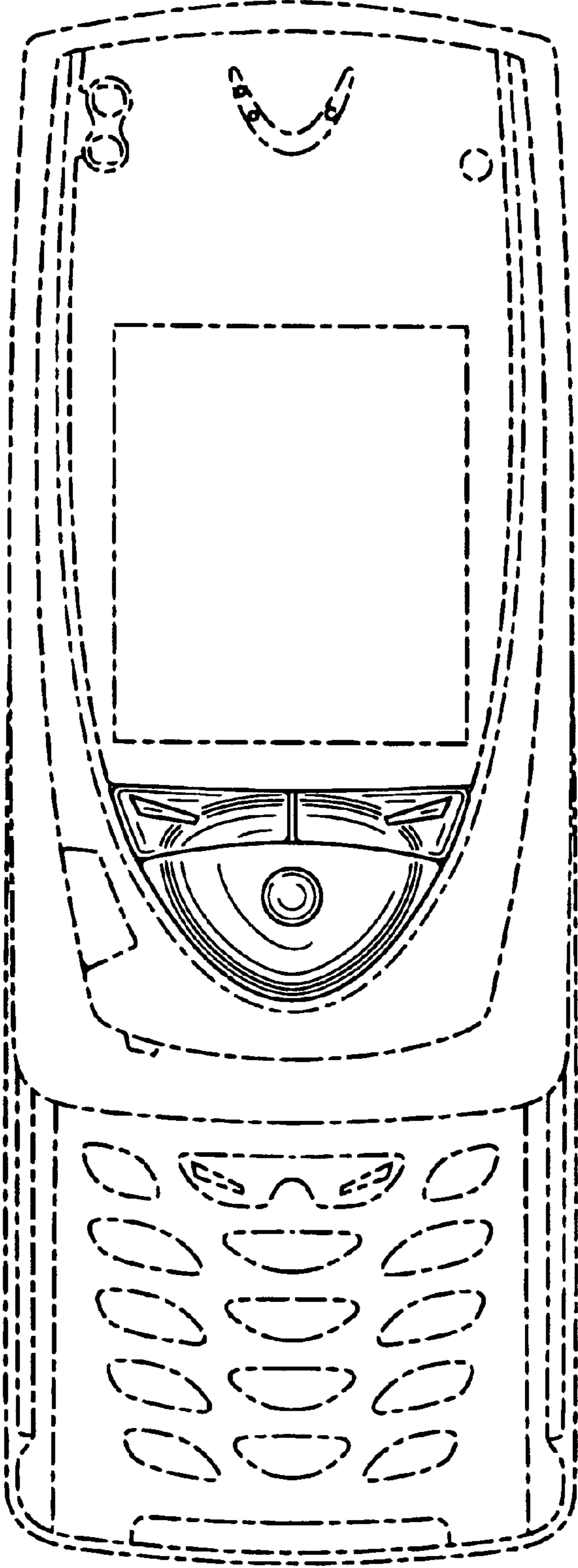


FIG. 2

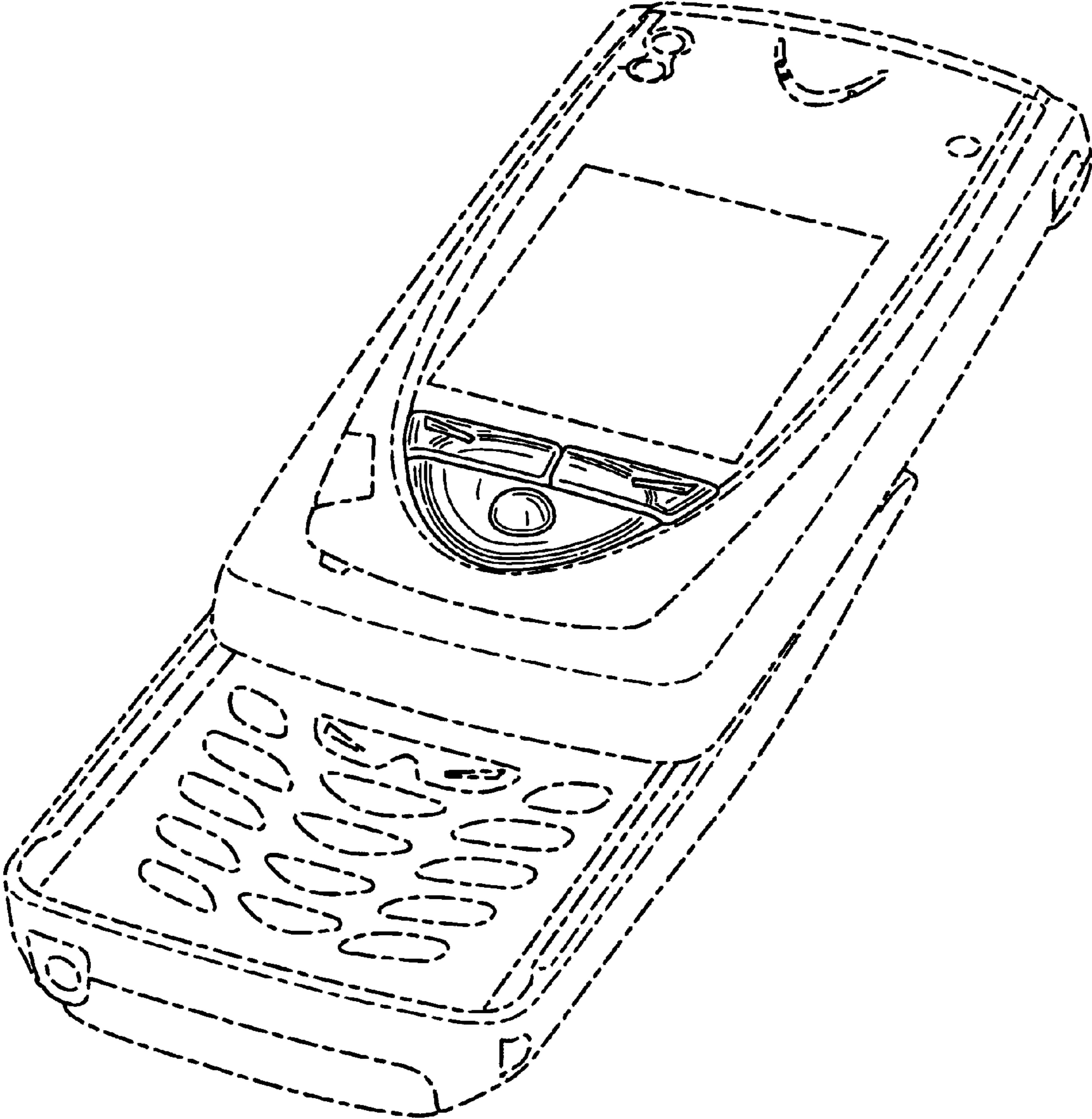


FIG. 3