

US00D495322S1

(12) **United States Design Patent** (10) **Patent No.:** **US D495,322 S**
Doyle et al. (45) **Date of Patent:** **** Aug. 31, 2004**

(54) **DRIVER INTERFACE UNIT**

(75) Inventors: **Mark Doyle**, Clemmons, NC (US);
Robert B. Stansell, Winston Salem, NC
(US); **Daniel R. Ervin**, Carlsbad, CA
(US); **Davis Gammage**, San Diego, CA
(US); **John Orrell**, Advance, NC (US);
Jeffrey J. Rhine, Poway, CA (US);
Michele Maccollum, Poway, CA (US);
Neil Burns, San Diego, CA (US);
Steven Tom, San Diego, CA (US)

(73) Assignee: **Qualcomm, Incorporated**, San Diego,
CA (US)

(**) Term: **14 Years**

(21) Appl. No.: **29/176,864**

(22) Filed: **Feb. 28, 2003**

(51) **LOC (7) Cl.** **14-03**

(52) **U.S. Cl.** **D14/240**

(58) **Field of Search** D14/240, 242,
D14/243, 248, 256, 299, 138; 455/151.1-151.4,
569.1, 569.2; D13/147, 168; 379/418; 200/5 A,
302.1

(56) **References Cited**

U.S. PATENT DOCUMENTS

4,992,631 A * 2/1991 Gee 200/5 A
D374,235 S * 10/1996 Biasotti et al. D14/240

D374,673 S * 10/1996 Beaumont et al. D14/240
D377,937 S * 2/1997 Tucker D14/240
D379,993 S * 6/1997 Devitt et al. D14/240
5,698,826 A * 12/1997 Cracraft et al. 200/5 A
5,734,136 A * 3/1998 Newcomer et al. 200/5 A
D409,999 S * 5/1999 Nuovo et al. D14/138
D461,180 S * 8/2002 Van Egmond et al. D14/240
D483,353 S * 12/2003 Hyogo D14/240
D484,497 S * 12/2003 Alviar et al. D14/240

* cited by examiner

Primary Examiner—Charles A. Rademaker

(74) *Attorney, Agent, or Firm*—Philip R. Wadsworth;
Charles D. Brown; Thomas M. Thibault

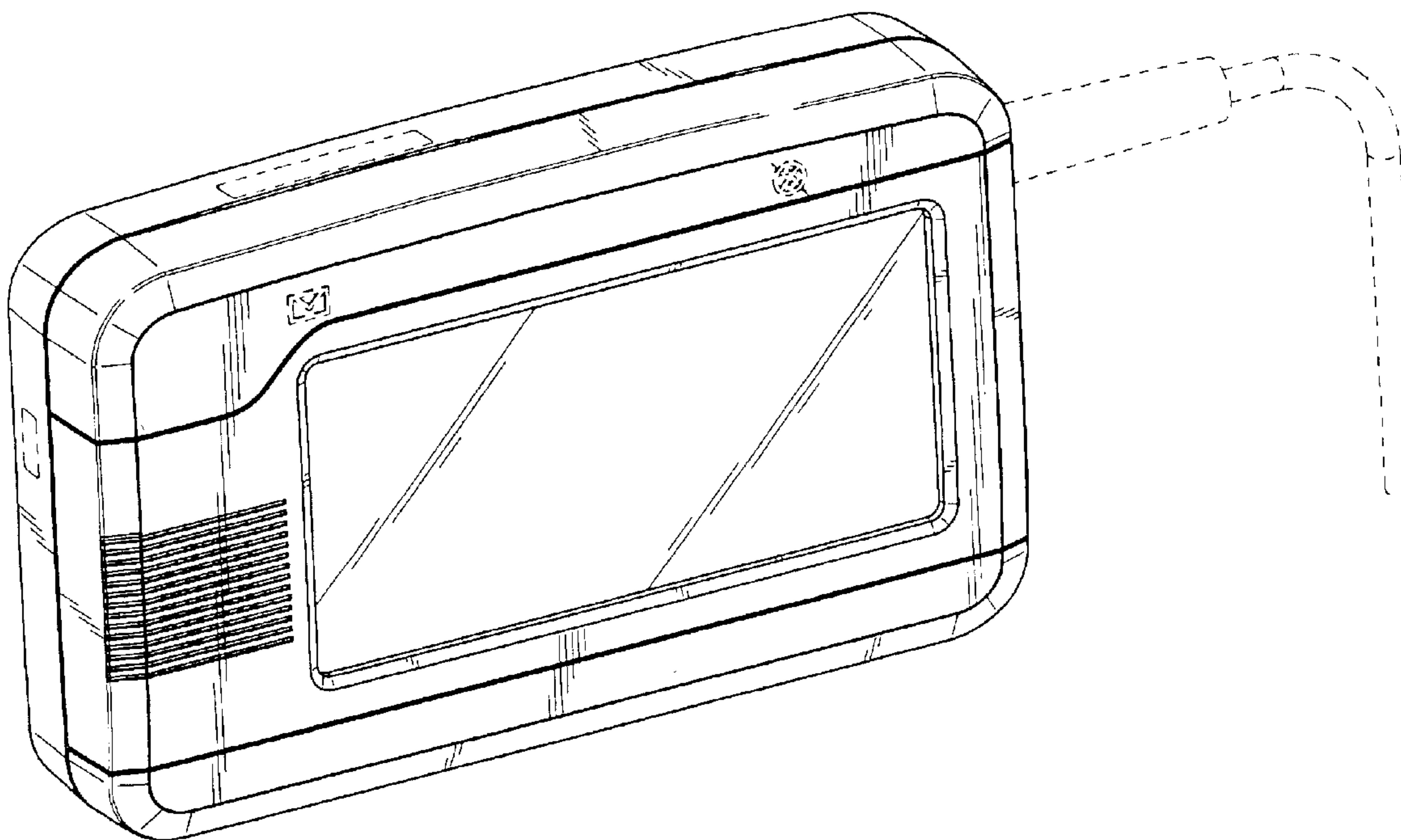
(57) **CLAIM**

The ornamental design for a driver interface unit, as shown
and described.

DESCRIPTION

FIG. 1 is a perspective view of a driver interface unit
showing our new design;
FIG. 2 is a front elevation thereof;
FIG. 3 is a bottom plan view thereof;
FIG. 4 is a rear elevation thereof;
FIG. 5 is a top plan view thereof;
FIG. 6 is a left side elevation thereof; and,
FIG. 7 is a right side elevation thereof.
Broken lines shown are for illustrative purposes only and
form no part of the claimed design.

1 Claim, 4 Drawing Sheets



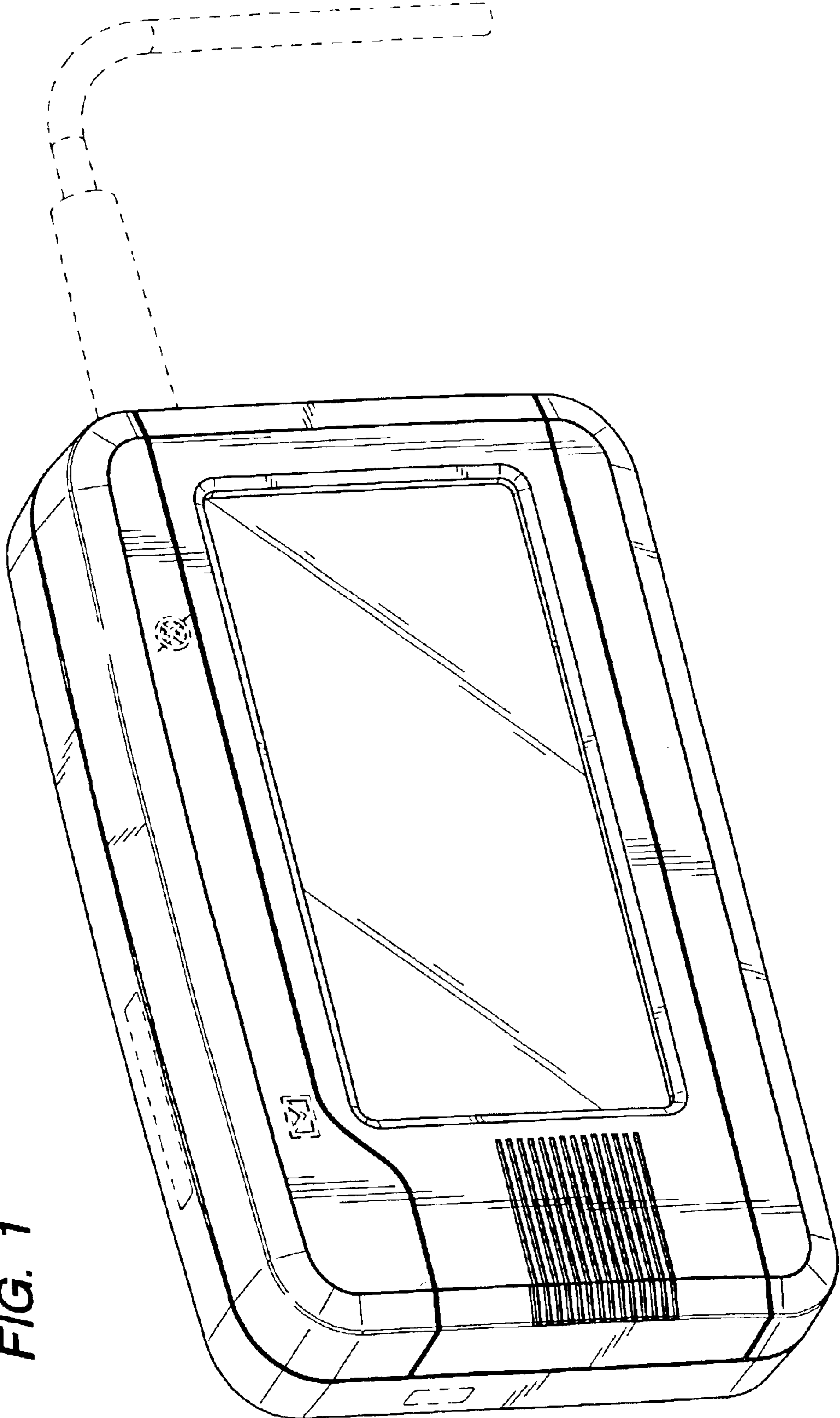


FIG. 1

FIG. 2

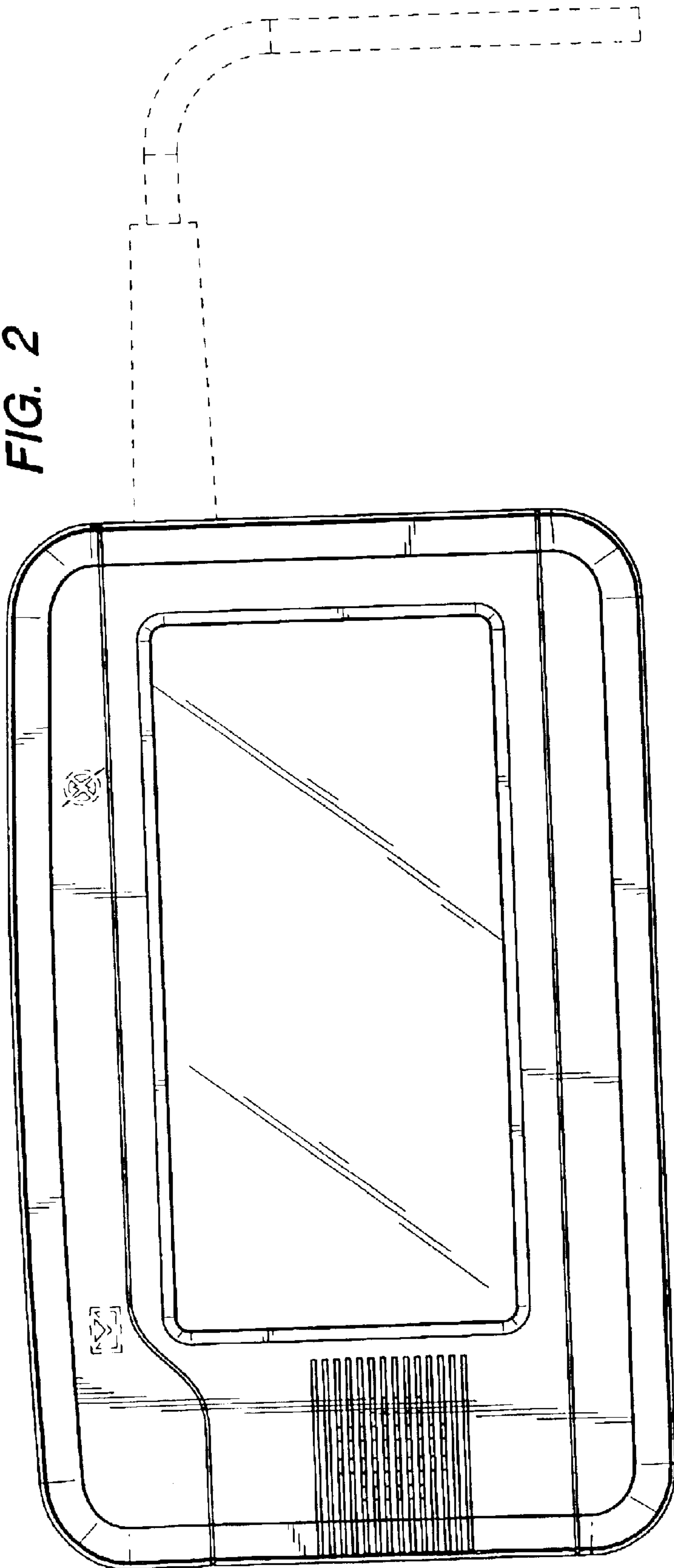
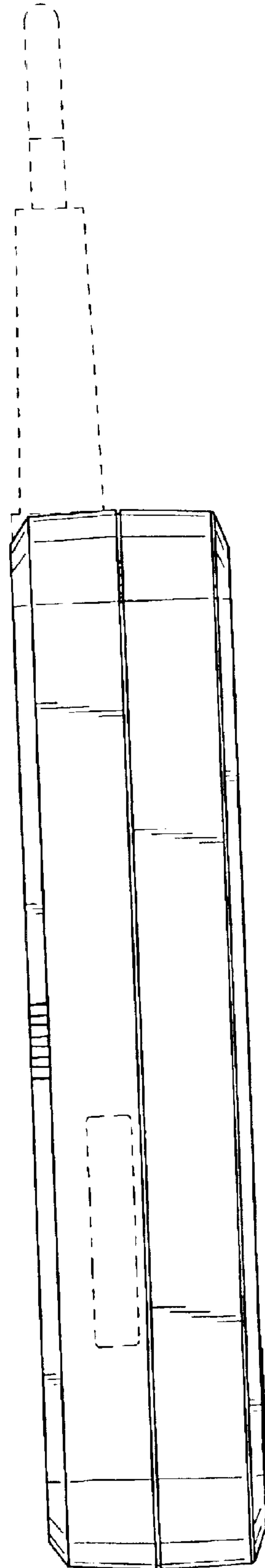


FIG. 3



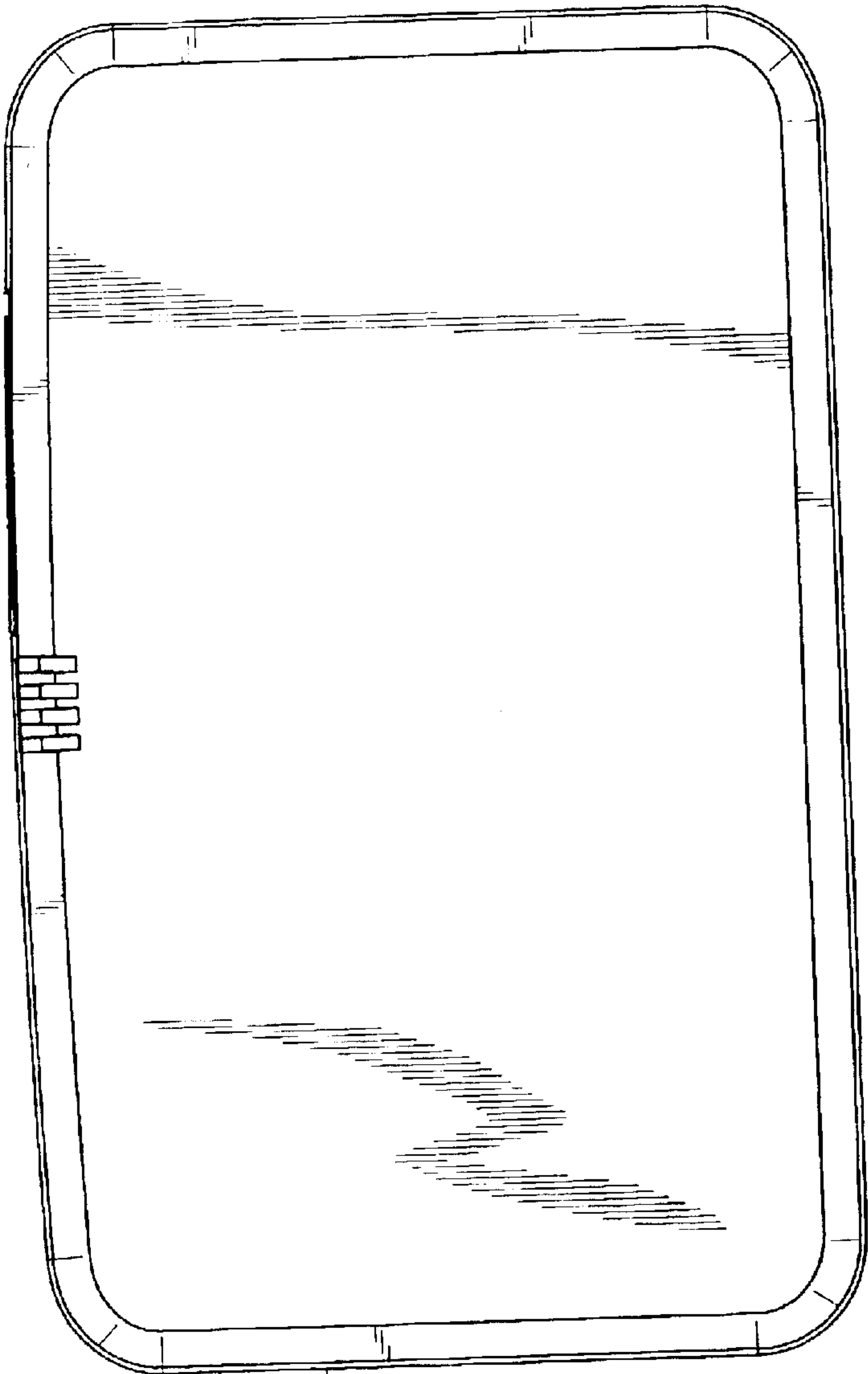


FIG. 4

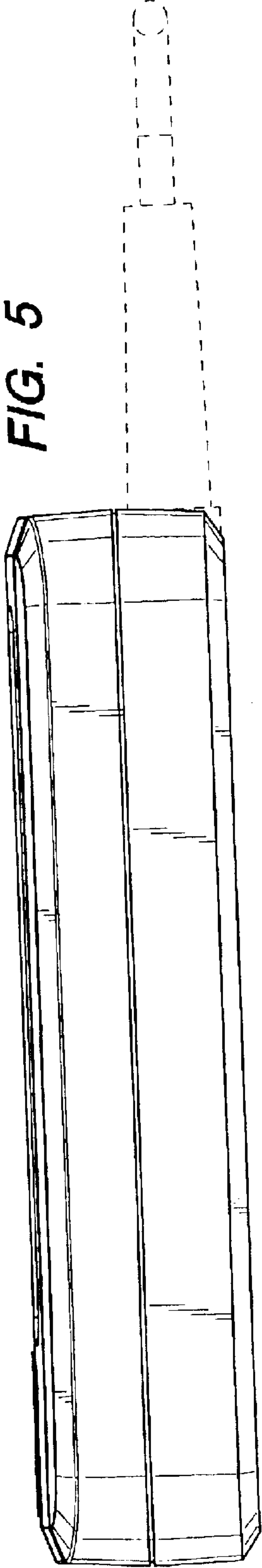


FIG. 5

FIG. 7

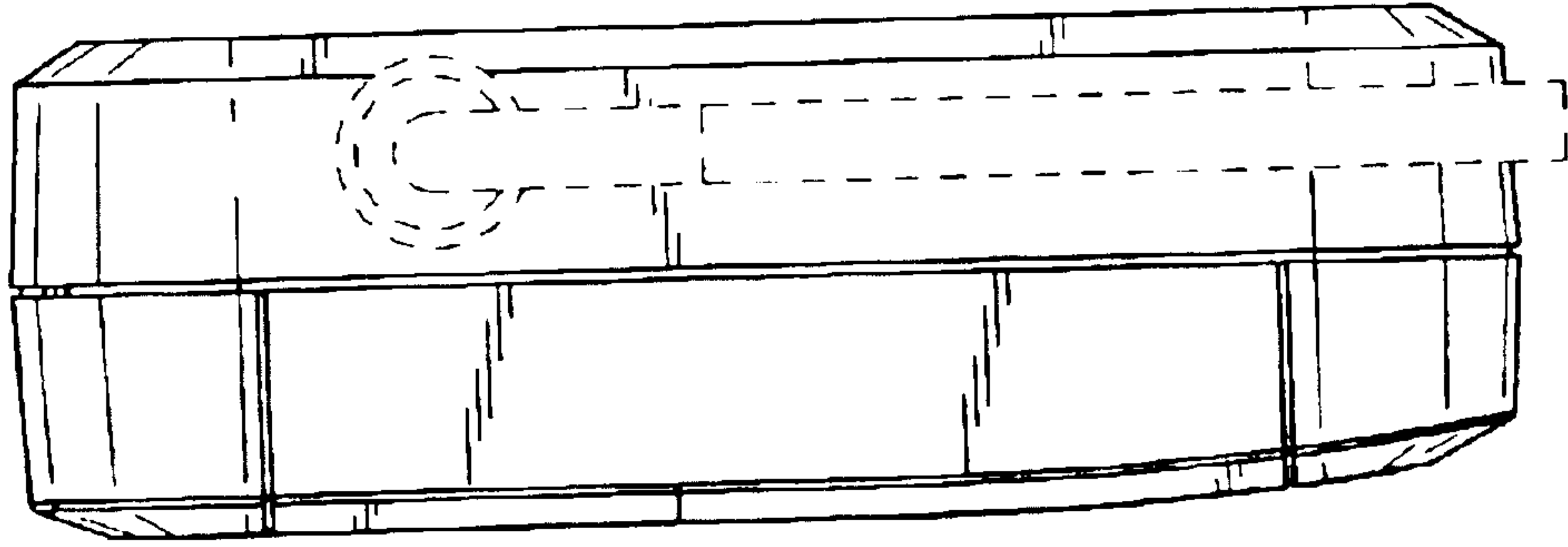


FIG. 6

