

US00D495321S1

(12) **United States Design Patent**
Ogren

(10) **Patent No.: US D495,321 S**

(45) **Date of Patent: ** Aug. 31, 2004**

(54) **TELECOMMUNICATIONS MODULE**

(75) **Inventor: Bruce Ogren, Edina, MN (US)**

(73) **Assignee: ADC Telecommunications, Inc., Eden Prairie, MN (US)**

(**) **Term: 14 Years**

(21) **Appl. No.: 29/171,996**

(22) **Filed: Dec. 3, 2002**

(51) **LOC (7) Cl. 14-03**

(52) **U.S. Cl. D14/240**

(58) **Field of Search D14/240-246, D14/217, 140, 299, 257, 301; D13/184; 333/109, 110; 439/717, 1, 74; 379/413.02, 347**

5,909,155 A 6/1999 Anderson et al.
5,926,076 A * 7/1999 Johnson et al. 333/109
5,955,930 A 9/1999 Anderson et al.
6,545,562 B2 4/2003 Loeffelholz et al.

OTHER PUBLICATIONS

Brochure, "ADC's RF Worx™ RF Distribution And Management Products," *ADC Telecommunications*, pp. 2-10 (Dec. 1996).

* cited by examiner

Primary Examiner—Charles A. Rademaker

Assistant Examiner—Cathy Smita

(74) *Attorney, Agent, or Firm*—Merchant & Gould P.C.

(57) **CLAIM**

The ornamental design for the telecommunications module, as shown and described.

(56) **References Cited**

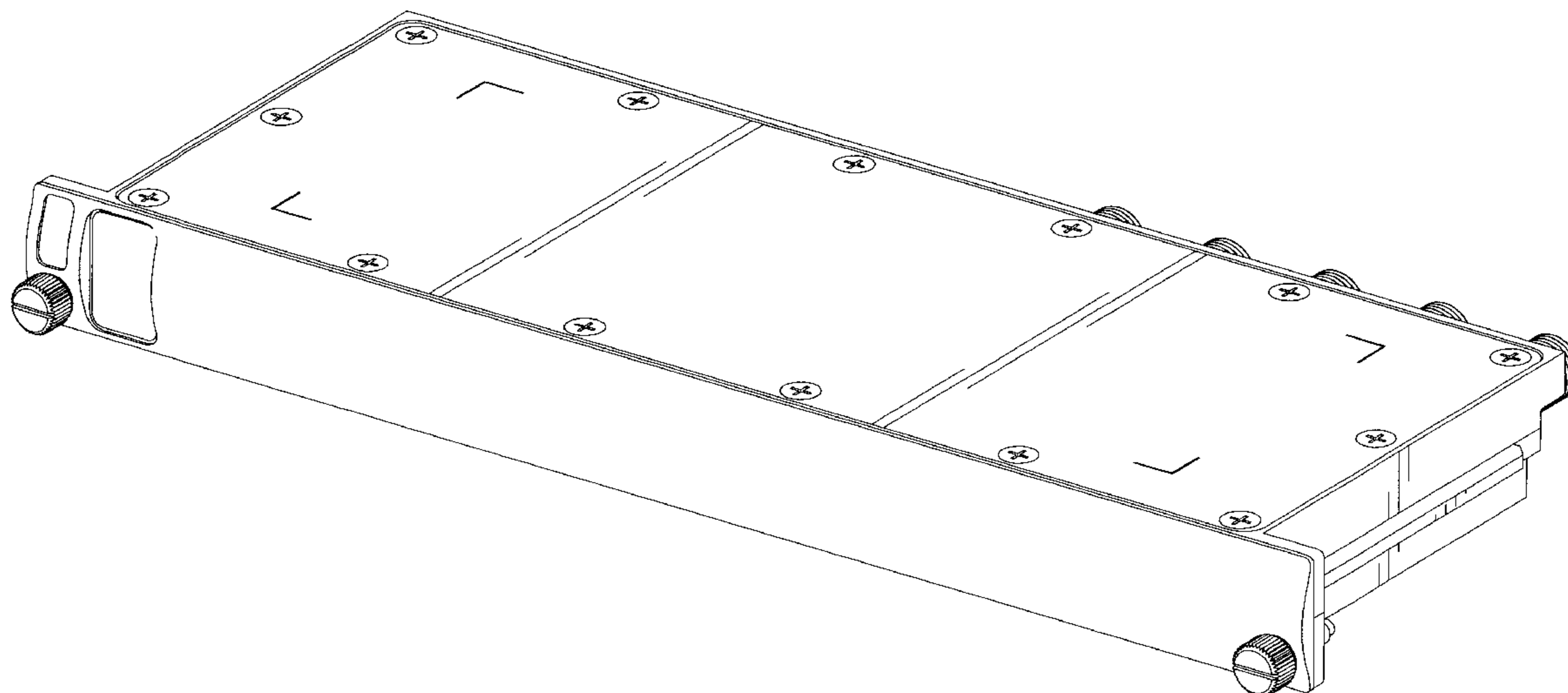
U.S. PATENT DOCUMENTS

3,177,302 A * 4/1965 Fingerle, Jr. 379/347
4,433,313 A * 2/1984 Saint et al. 333/109
4,749,968 A 6/1988 Burroughs
D318,279 S * 7/1991 Laiacona et al. D14/217
5,158,470 A 10/1992 Zarreii
5,326,285 A * 7/1994 Maros 439/717
5,348,491 A 9/1994 Louwagie et al.
5,592,545 A 1/1997 Ho et al.
5,638,035 A 6/1997 Romerein et al.
D404,018 S * 1/1999 Tucker et al. D13/184

DESCRIPTION

FIG. 1 is a front, perspective view of a telecommunications module showing my new design; FIG. 2 is a back, perspective view of the module of FIG. 1; FIG. 3 is a front elevational view of the module of FIG. 1; FIG. 4 is a back elevational view of the module of FIG. 1; FIG. 5 is a top, plan view of the module of FIG. 1; FIG. 6 is a bottom, plan view of the module of FIG. 1; FIG. 7 is a right end view of the module of FIG. 1; and, FIG. 8 is a left end view of the module of FIG. 1.

1 Claim, 7 Drawing Sheets



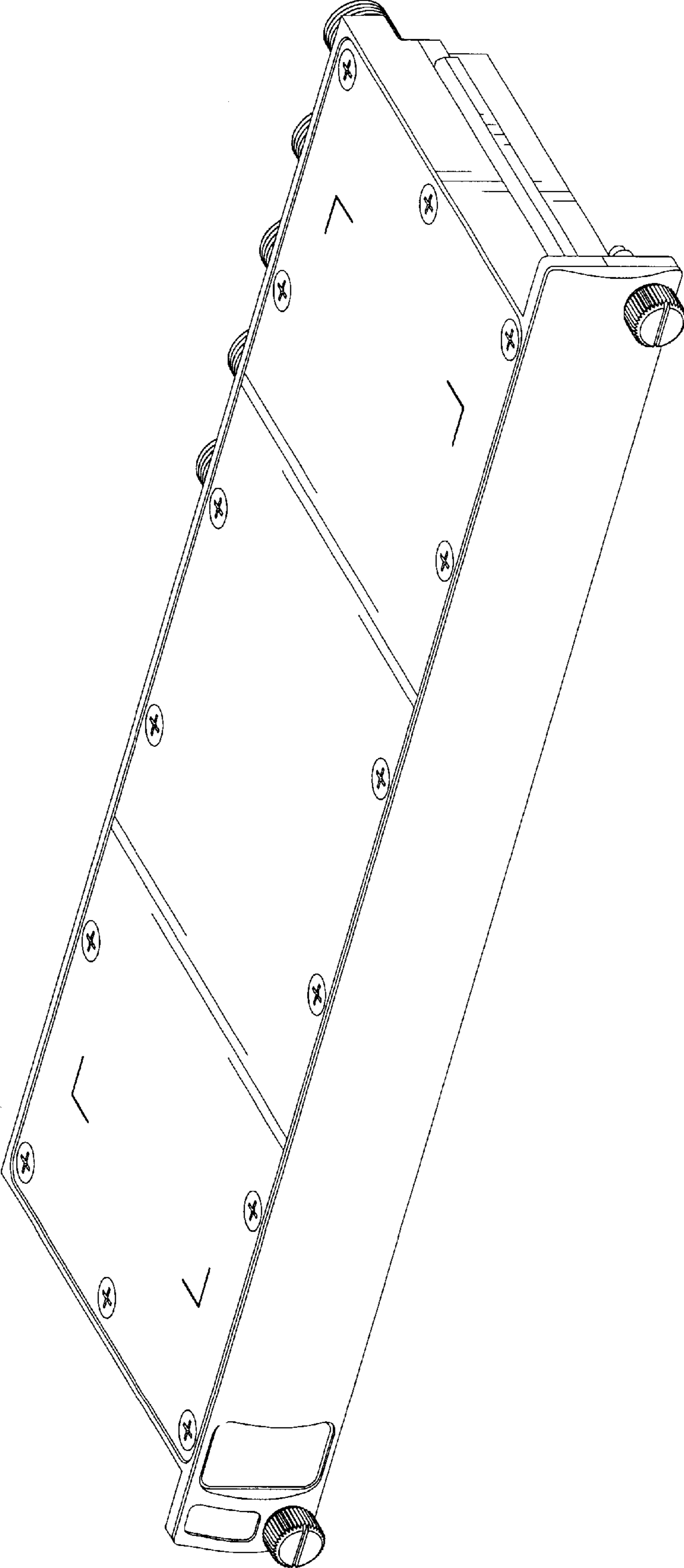


FIG. 1

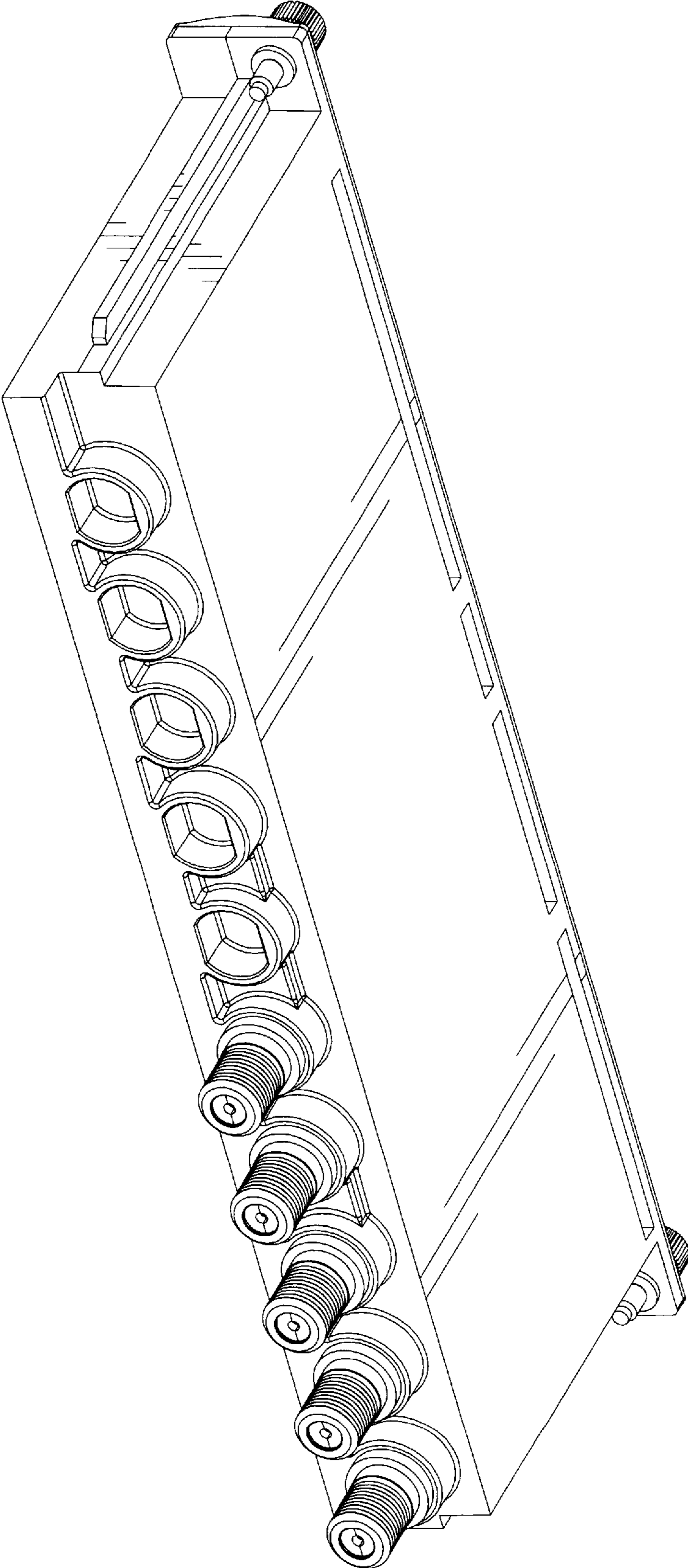


FIG. 2

FIG. 3

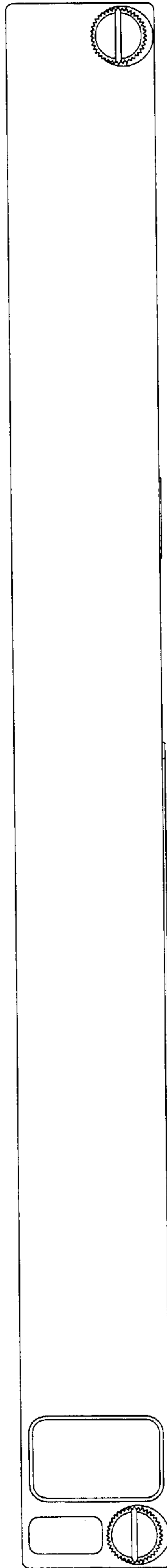
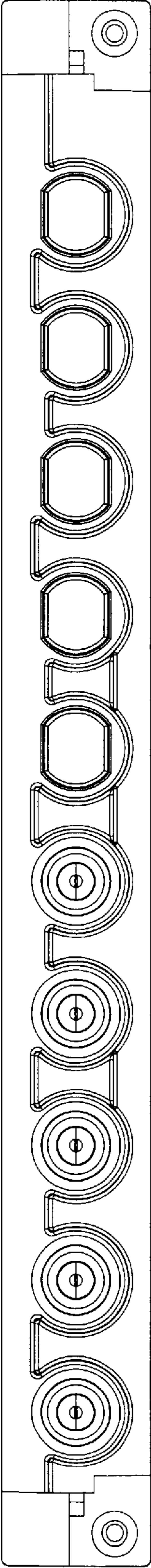


FIG. 4



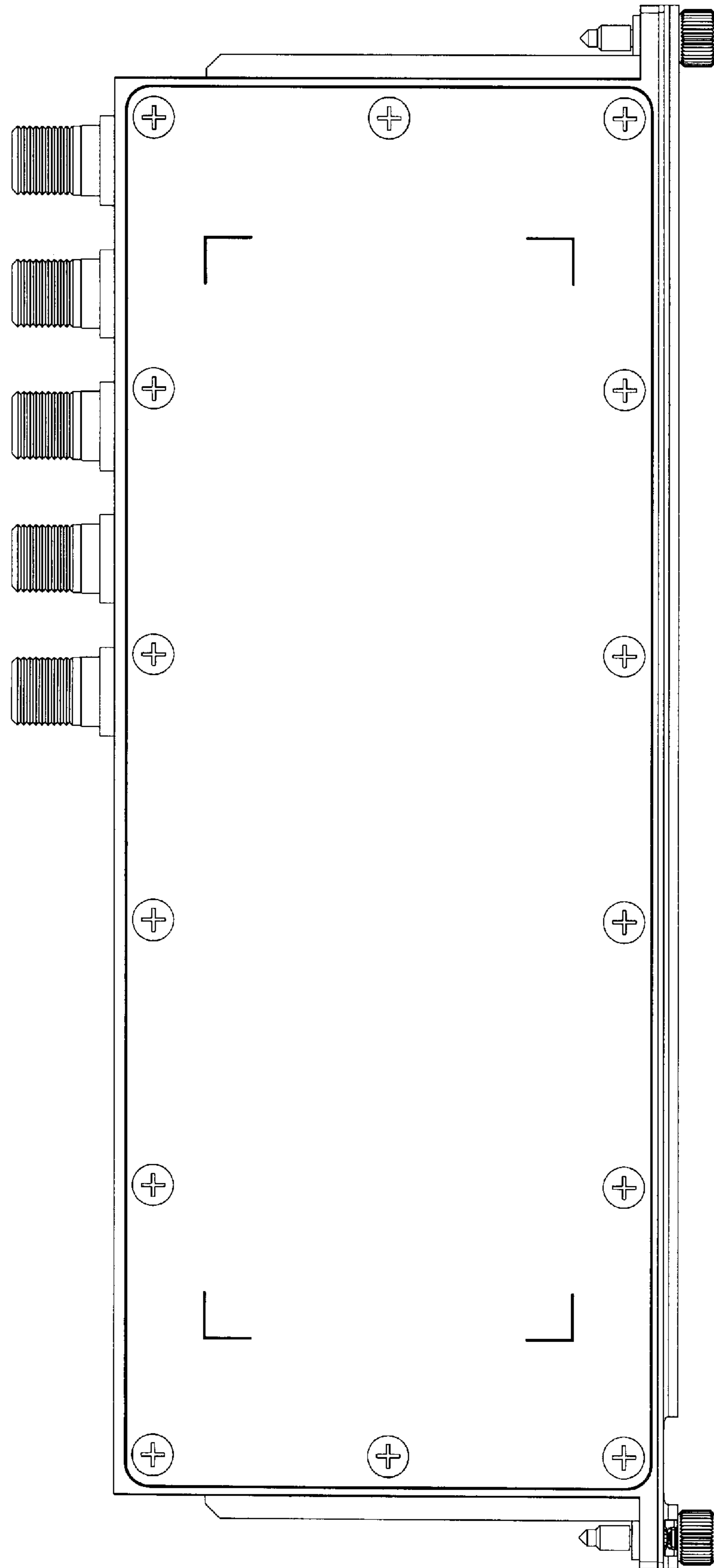


FIG. 5

FIG. 6

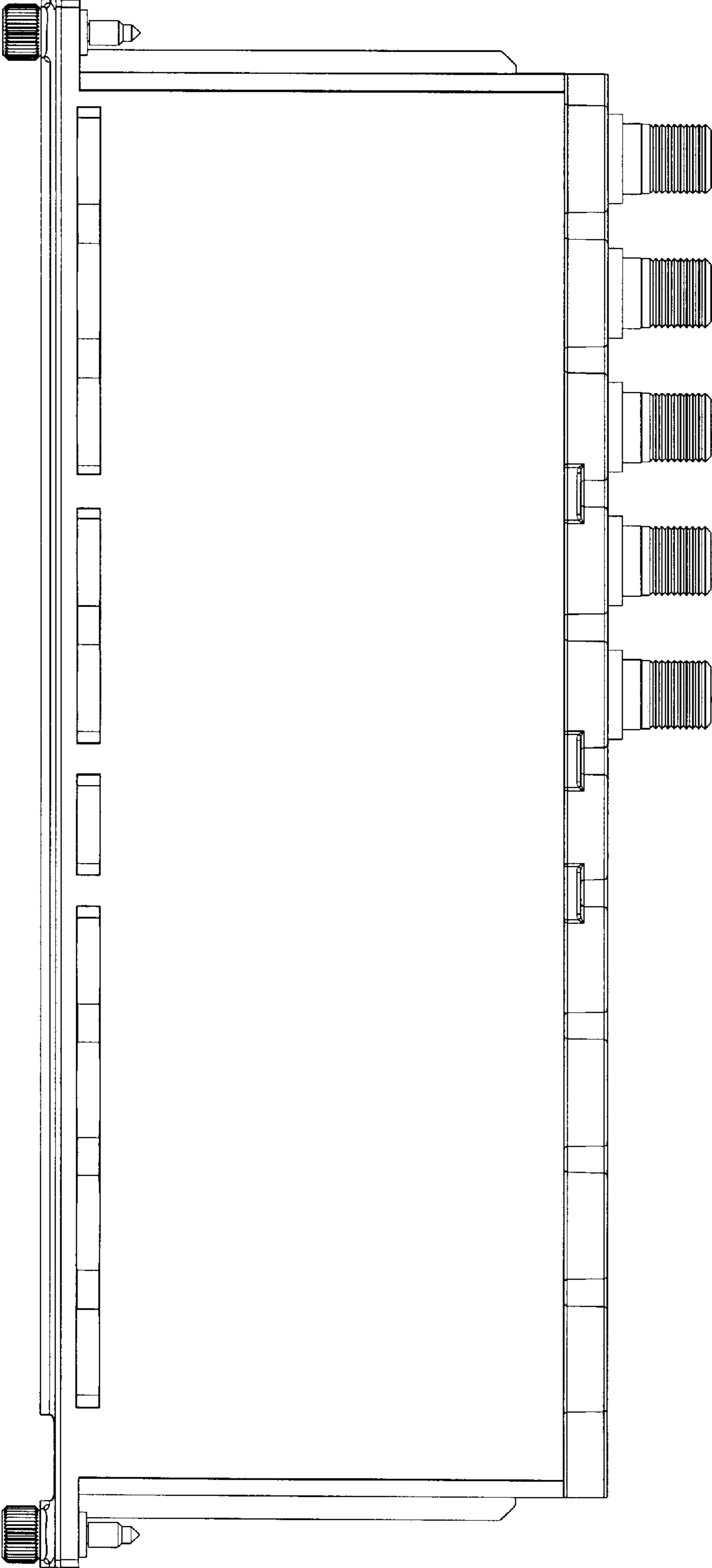


FIG. 7

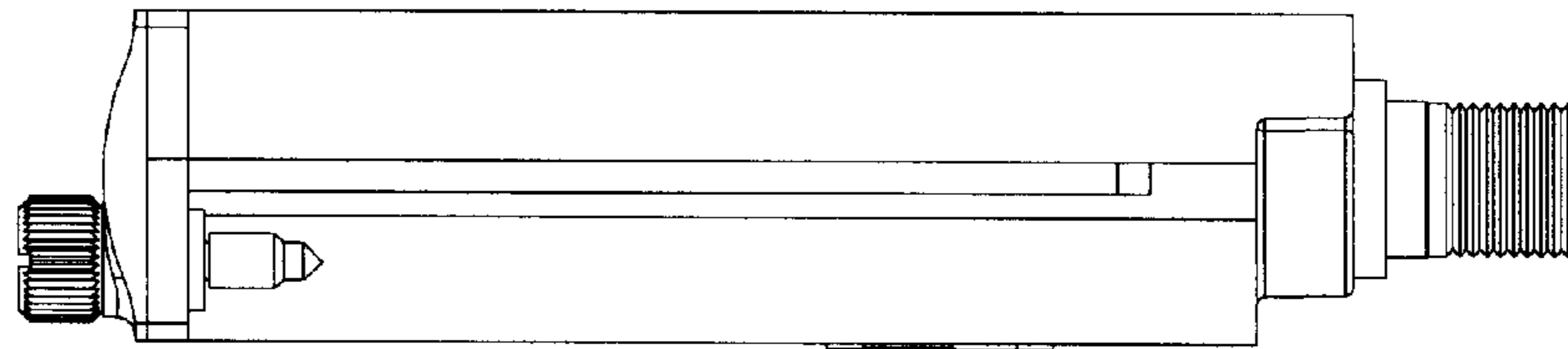


FIG. 8

