

US00D495318S1

(12) **United States Design Patent**
Dayan

(10) **Patent No.:** **US D495,318 S**

(45) **Date of Patent:** **** Aug. 31, 2004**

(54) **SPEAKER**

(75) **Inventor:** **Mervin A. Dayan, Oakhurst, NJ (US)**

(73) **Assignee:** **Roadmaster (USA) Corp., Eatontown, NJ (US)**

(**) **Term:** **14 Years**

(21) **Appl. No.:** **29/194,149**

(22) **Filed:** **Nov. 19, 2003**

(51) **LOC (7) Cl.** **14-01**

(52) **U.S. Cl.** **D14/214; D14/215**

(58) **Field of Search** D14/204, 207,
D14/209-216, 356, 172; 181/143-144,
147-148, 150, 157, 198-199, 151, 153;
381/300-302, 306, 333, 345, 361-364,
386-388

(56) **References Cited**

U.S. PATENT DOCUMENTS

D158,220 S * 4/1950 Sander D14/172

4,805,729 A * 2/1989 Wascom 181/144
D418,836 S * 1/2000 Matt et al. D14/196
D480,066 S * 9/2003 Martikainen D14/214

* cited by examiner

Primary Examiner—Nanda Bondade

(74) *Attorney, Agent, or Firm*—Wolf, Block, Schorr and Solis-Cohen, LLP; Robert F. Zielinski, Esq.; Richard C. Weinblatt, Esq.

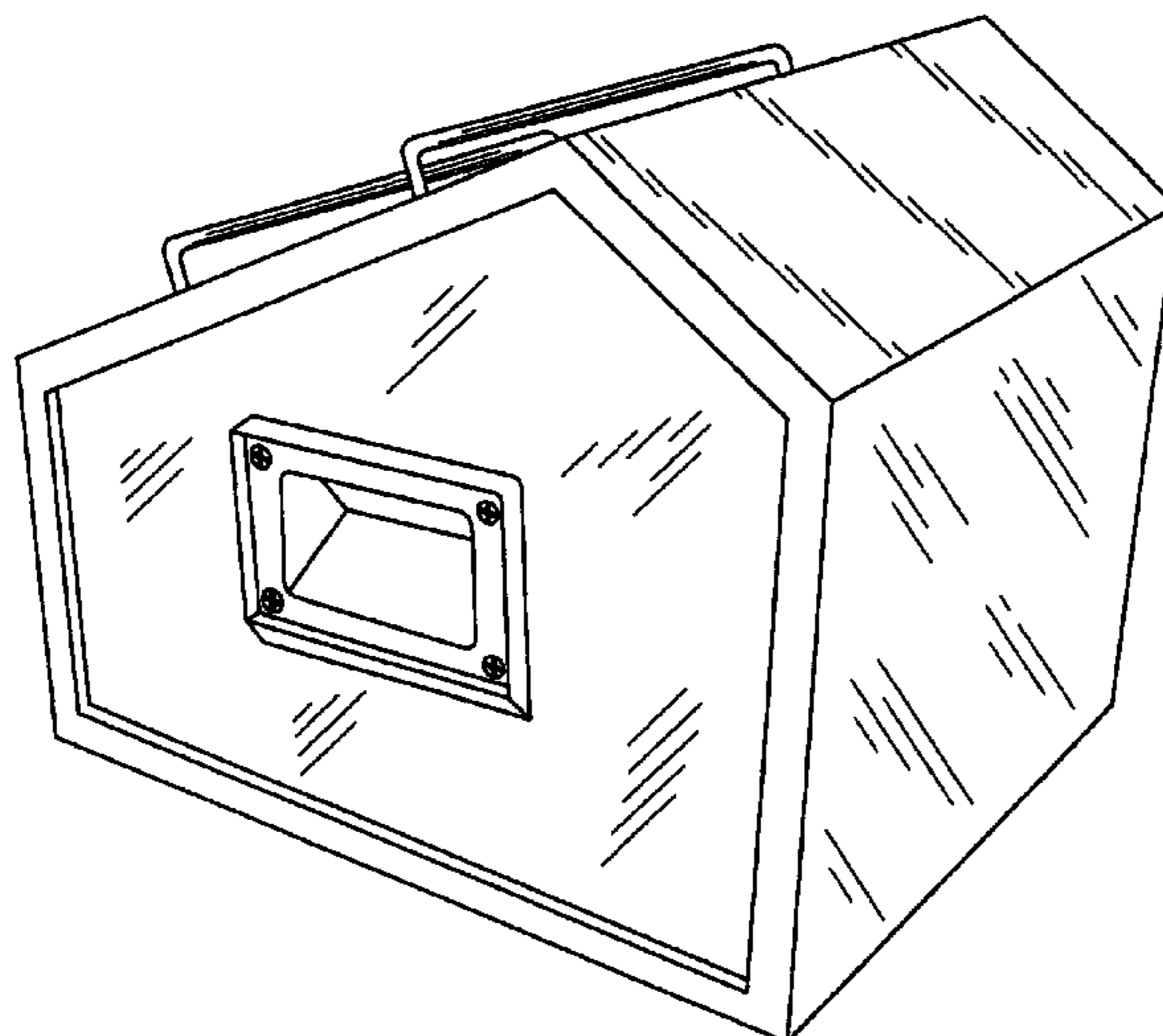
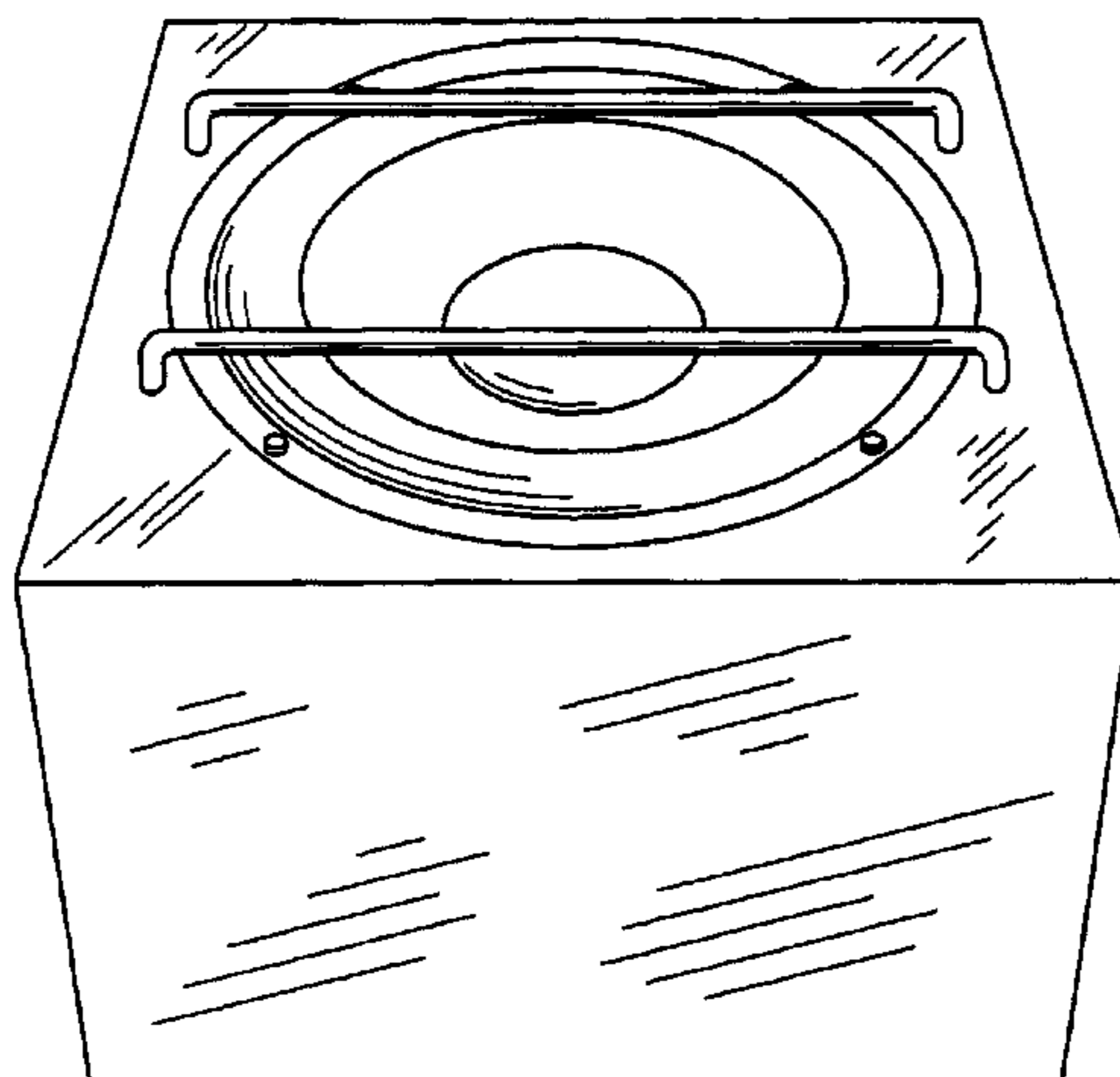
(57) **CLAIM**

The ornamental design for a speaker, as shown and described.

DESCRIPTION

FIG. 1 is a front perspective view of a speaker enclosure showing my new design;
FIG. 2 is a right side perspective view thereof;
FIG. 3 is a top perspective view thereof;
FIG. 4 is a rear perspective view thereof; and,
FIG. 5 is a left side perspective view thereof.

1 Claim, 5 Drawing Sheets



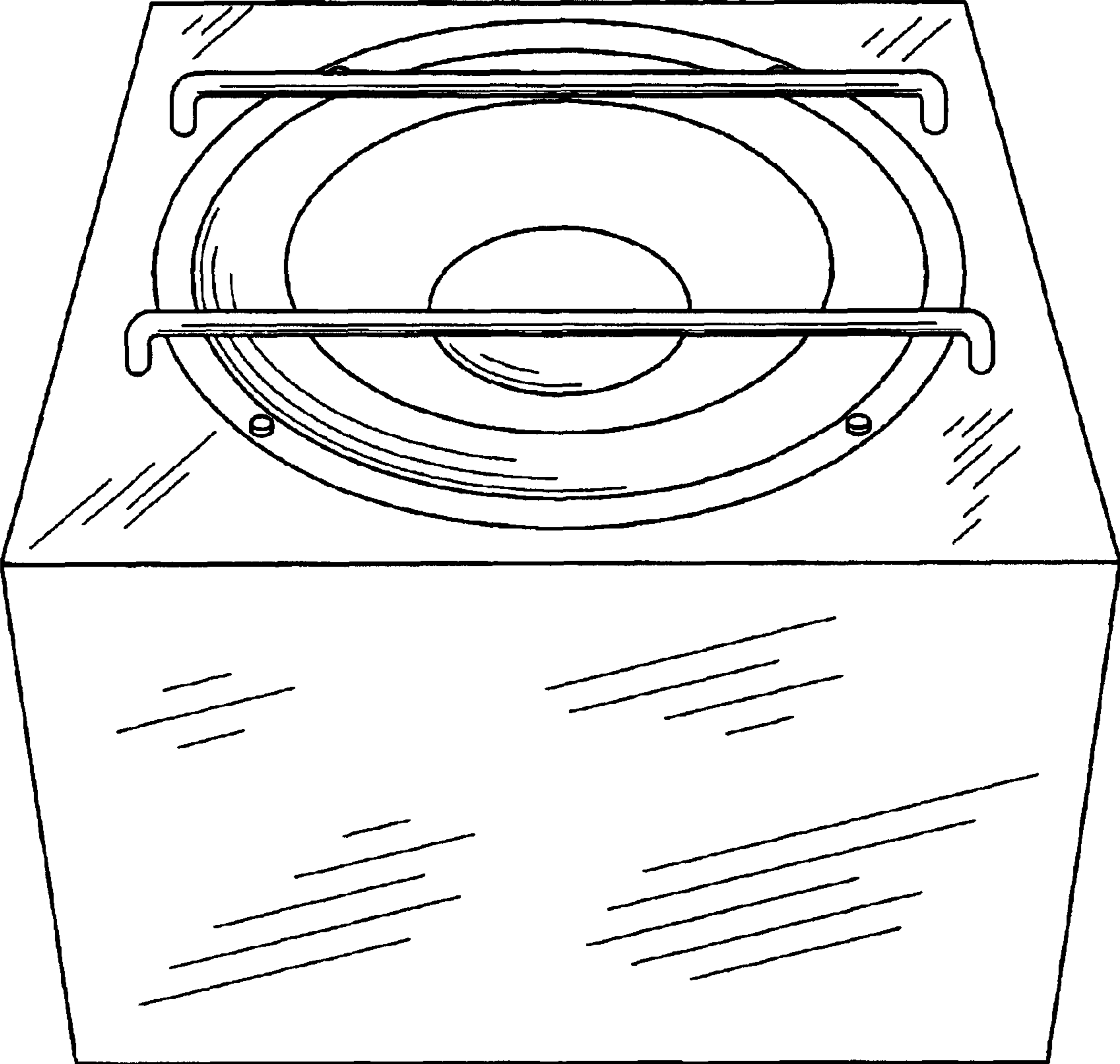


FIG. 1

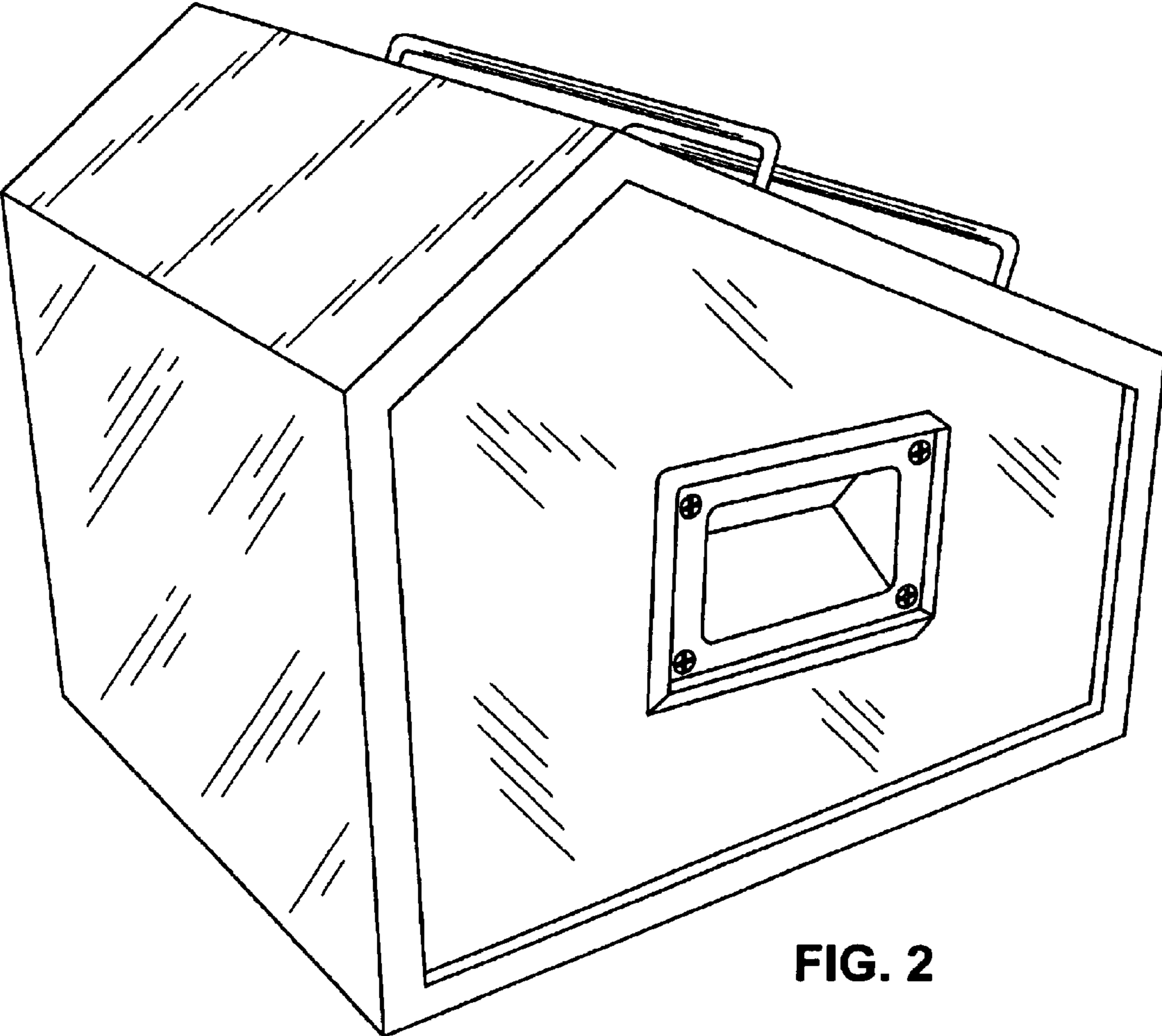


FIG. 2

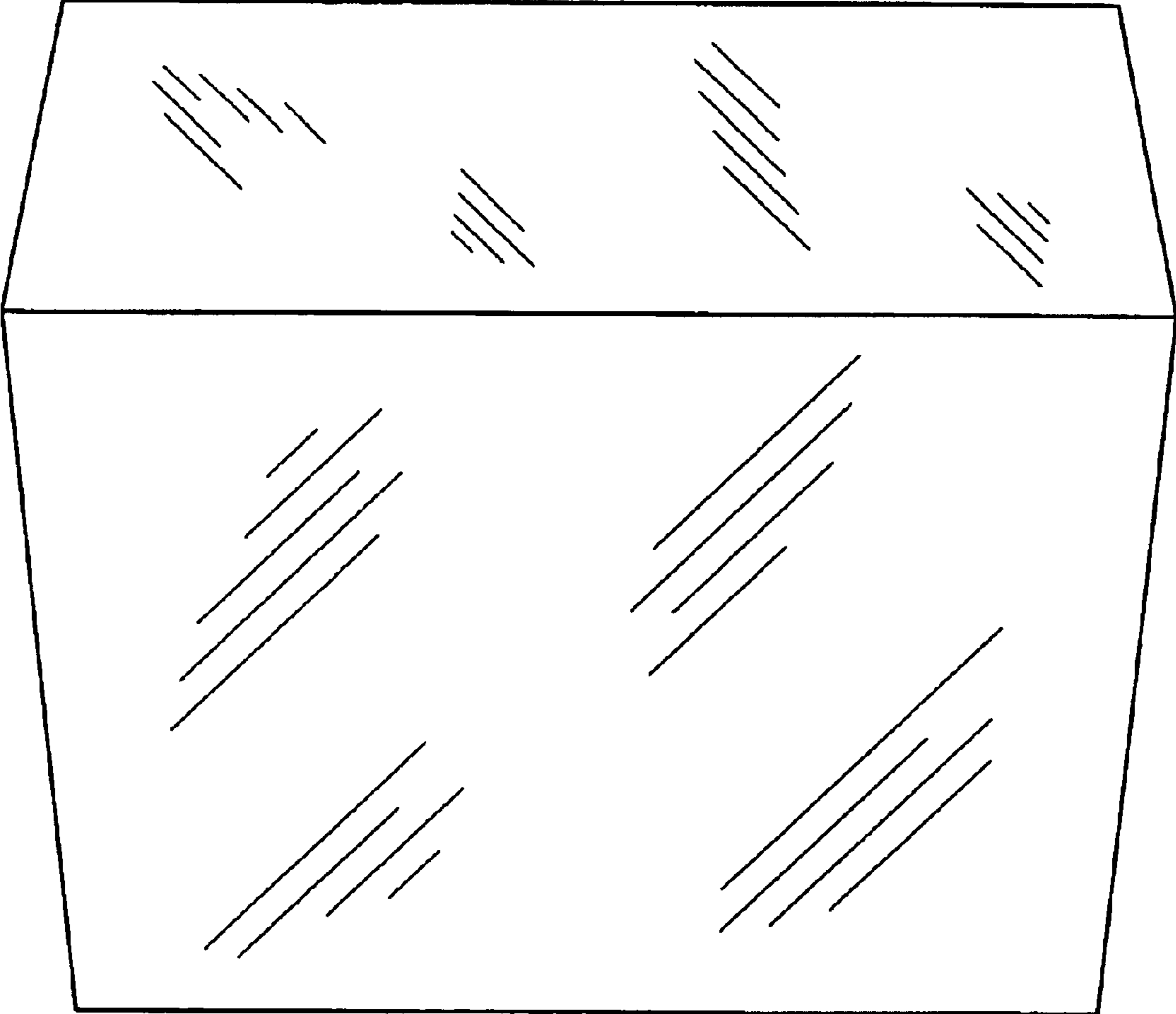


FIG. 3

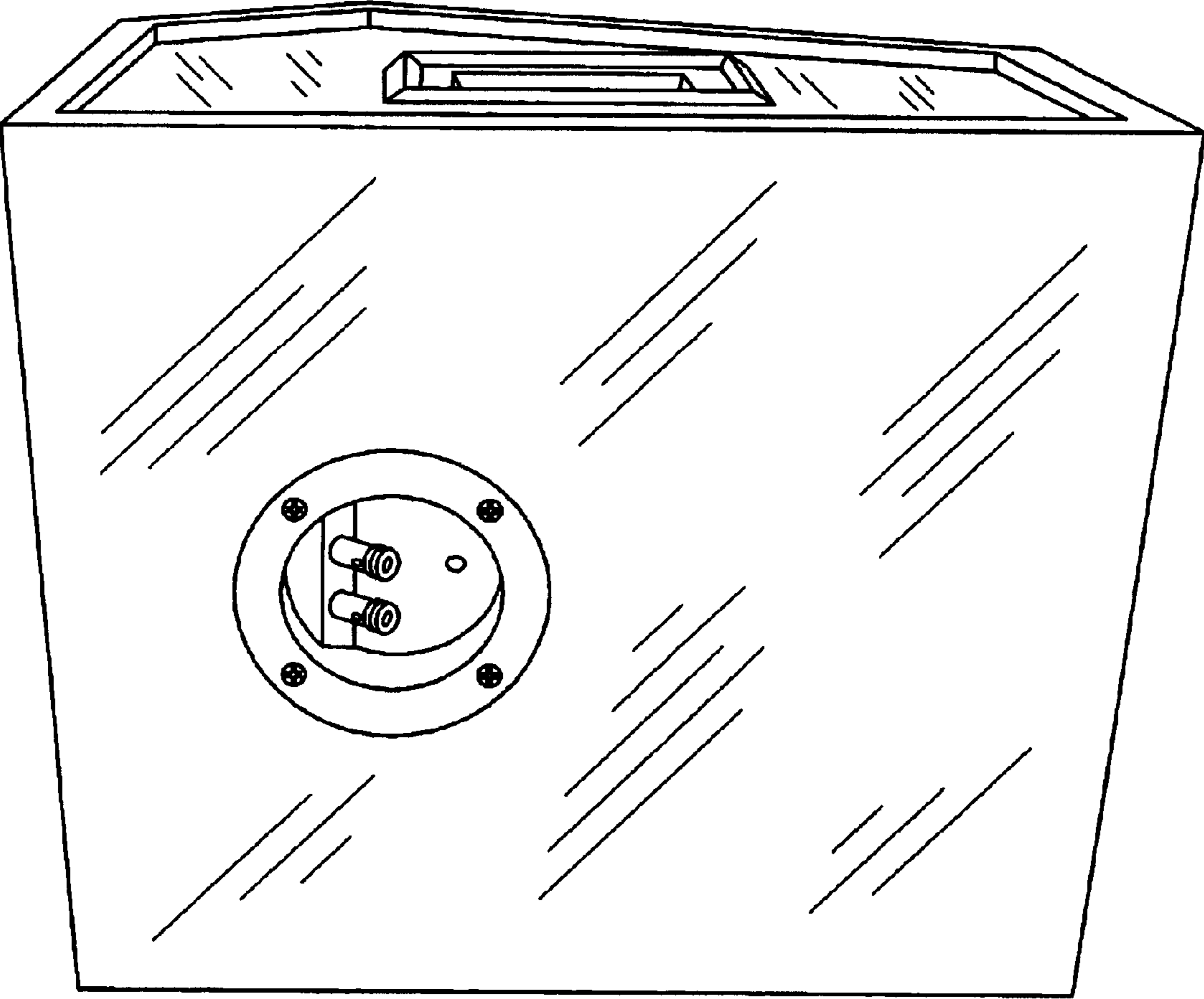


FIG. 4

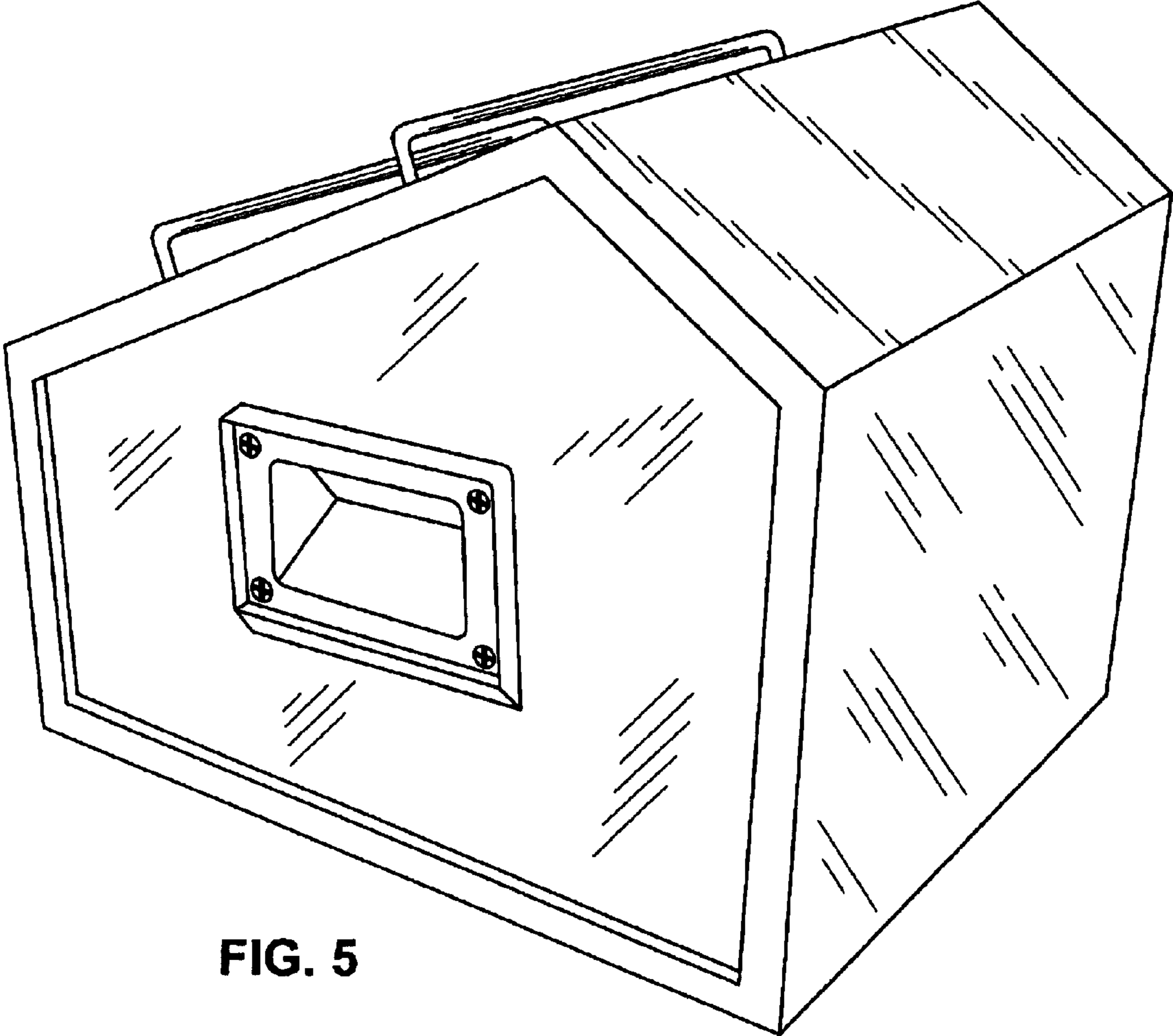


FIG. 5