

US00D495315S1

(12) **United States Design Patent** (10) **Patent No.:** **US D495,315 S**  
**Mizokawa et al.** (45) **Date of Patent:** **\*\* Aug. 31, 2004**

(54) **DIGITAL AUDIO DISC PLAYER FOR AN AUTOMOBILE**

(75) Inventors: **Hiroyuki Mizokawa, Yokohama (JP); Tomoo Hori, Yokohama (JP)**

(73) Assignee: **Matsushita Electric Industrial Co., Ltd., Osaka (JP)**

(\*\*) Term: **14 Years**

D450,678 S 11/2001 Mizokawa et al.  
D452,859 S \* 1/2002 Le Thellec ..... D14/258  
D453,156 S \* 1/2002 Le Thellec ..... D14/258  
D468,285 S 1/2003 Mizokawa  
D471,886 S 3/2003 Nishii et al.  
D471,887 S 3/2003 Nishii et al.  
D475,690 S 6/2003 Nose et al.  
D475,691 S 6/2003 Nishii et al.  
D477,298 S 7/2003 Hori et al.  
D480,076 S 9/2003 Nose et al.

**FOREIGN PATENT DOCUMENTS**

JP D1068940 5/2000  
JP D1126661 11/2001  
JP D1151953 9/2002  
JP D1153780 9/2002

\* cited by examiner

(21) Appl. No.: **29/198,770**

(22) Filed: **Feb. 4, 2004**

(30) **Foreign Application Priority Data**

Oct. 14, 2003 (JP) ..... 2003-030188

(51) **LOC (7) Cl.** ..... **14-01**

(52) **U.S. Cl.** ..... **D14/157**

(58) **Field of Search** ..... D14/135-136,  
D14/160-168, 188, 197-198, 156-157,  
257, 258; 455/100, 344, 346-351, 321;  
369/75.1, 75.2, 77.2

(56) **References Cited**

**U.S. PATENT DOCUMENTS**

D391,958 S 3/1998 Miyazawa et al.  
D400,529 S 11/1998 Kakizaki  
5,848,042 A \* 12/1998 Takahashi et al. .... 369/75.1  
5,862,468 A \* 1/1999 Kim ..... 455/321  
D407,704 S 4/1999 Ichijima et al.  
D430,552 S 9/2000 Nose  
D438,520 S 3/2001 Nose et al.  
D440,547 S 4/2001 Hori et al.  
D442,571 S 5/2001 Nose  
D445,775 S 7/2001 Hori et al.  
D446,510 S 8/2001 Hori et al.  
D446,781 S 8/2001 Hori et al.  
D448,014 S 9/2001 Hori et al.

*Primary Examiner*—Nanda Bondade  
(74) *Attorney, Agent, or Firm*—Brinks Hofer Gilson & Lione

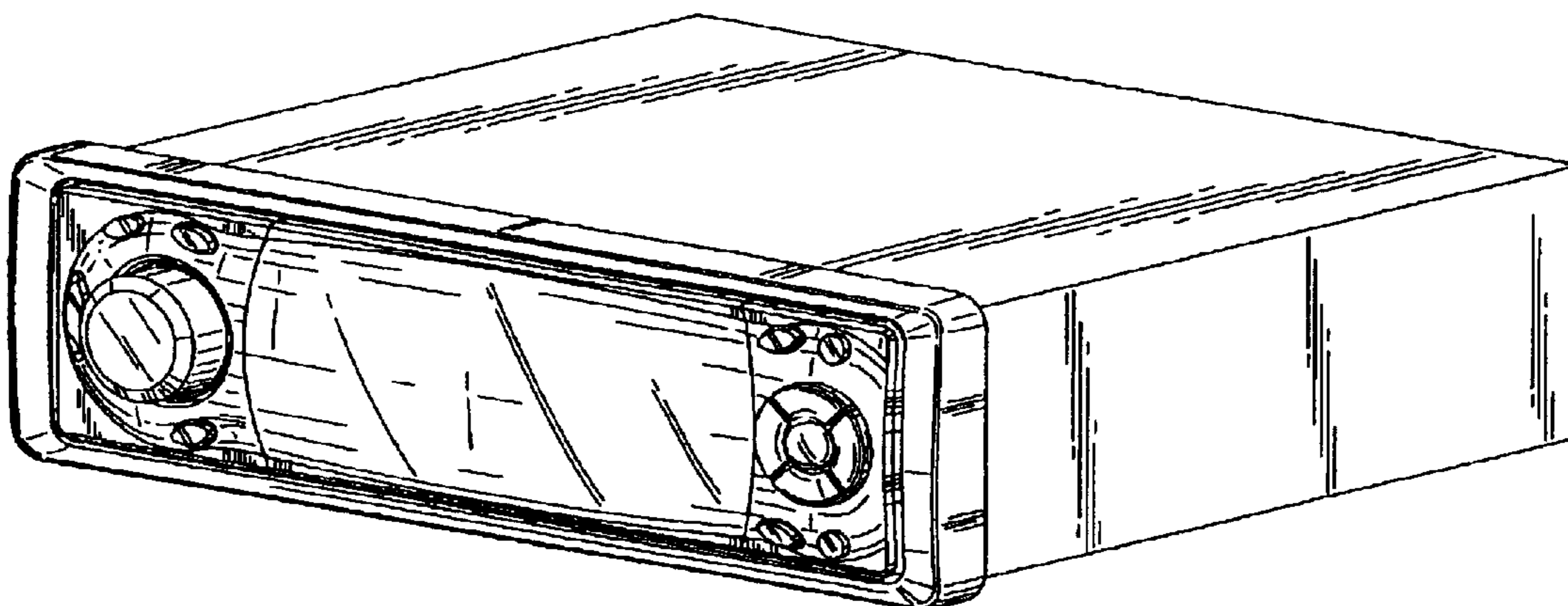
(57) **CLAIM**

The ornamental design for a digital audio disc player for an automobile, as shown and described.

**DESCRIPTION**

FIG. 1 is a top perspective view of a digital audio disc player for an automobile of the present invention;  
FIG. 2 is a front view thereof;  
FIG. 3 is a first side view thereof;  
FIG. 4 is a top view thereof;  
FIG. 5 is a second side view thereof;  
FIG. 6 is a bottom view thereof;  
FIG. 7 is a rear view thereof; and,  
FIG. 8 is a top perspective view thereof, wherein the faceplate is in an open position.

**1 Claim, 4 Drawing Sheets**



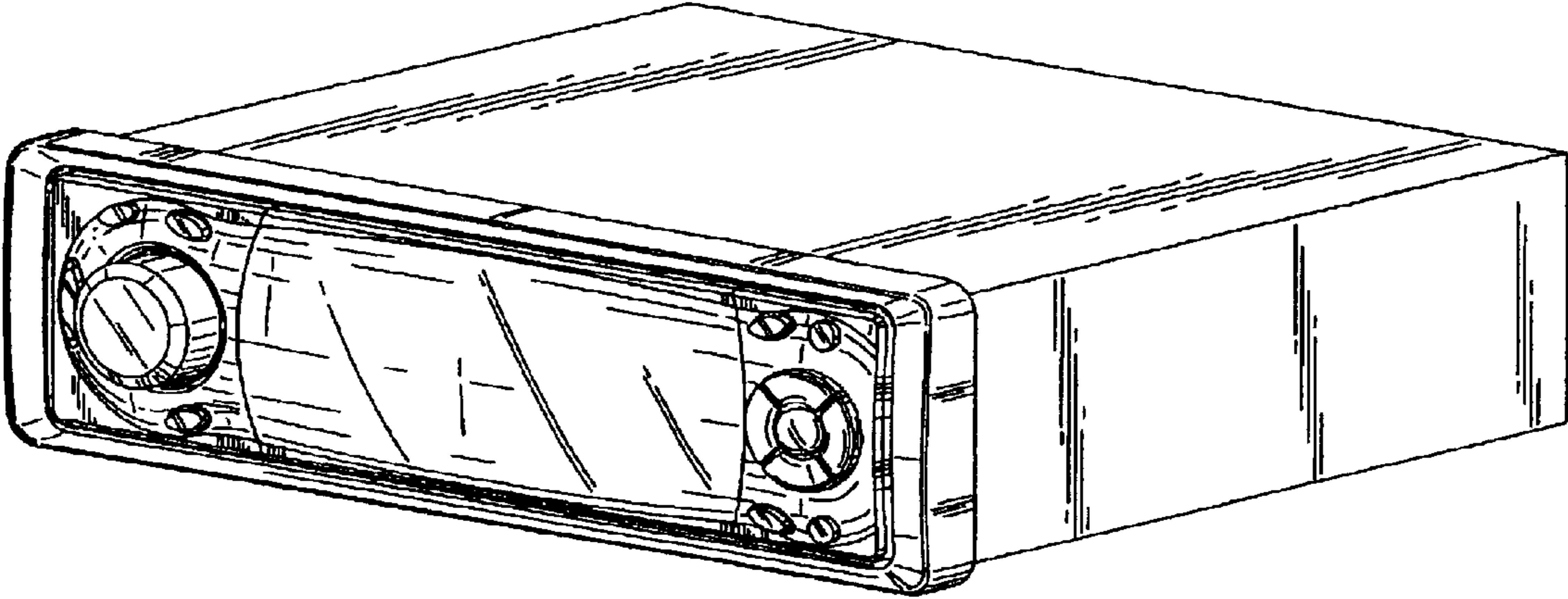


FIG. 1

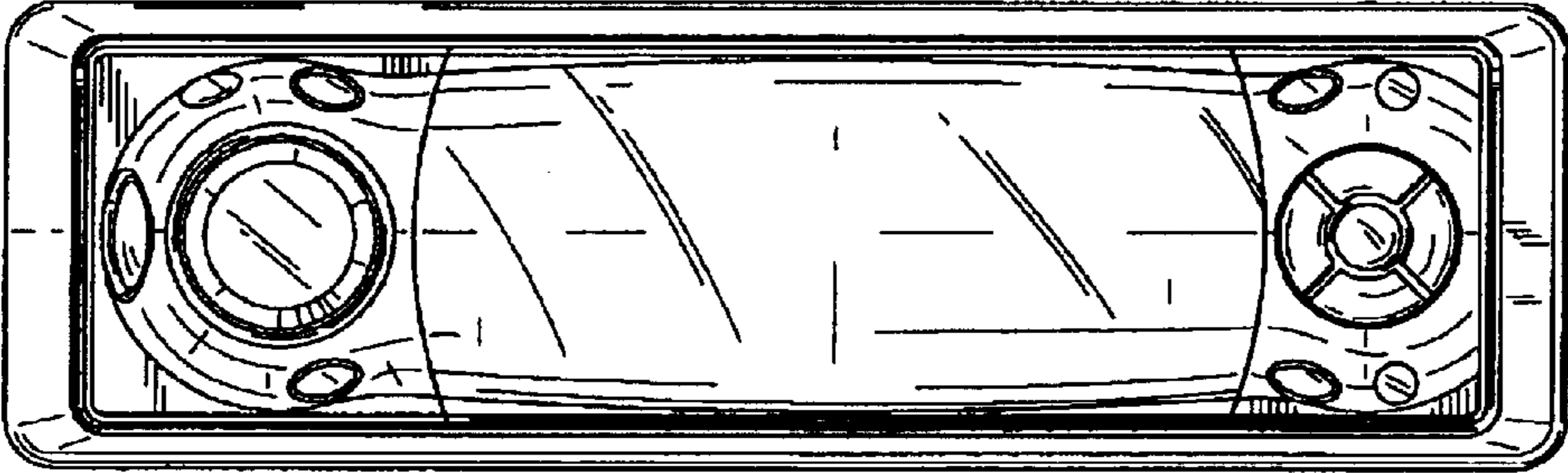


FIG. 2

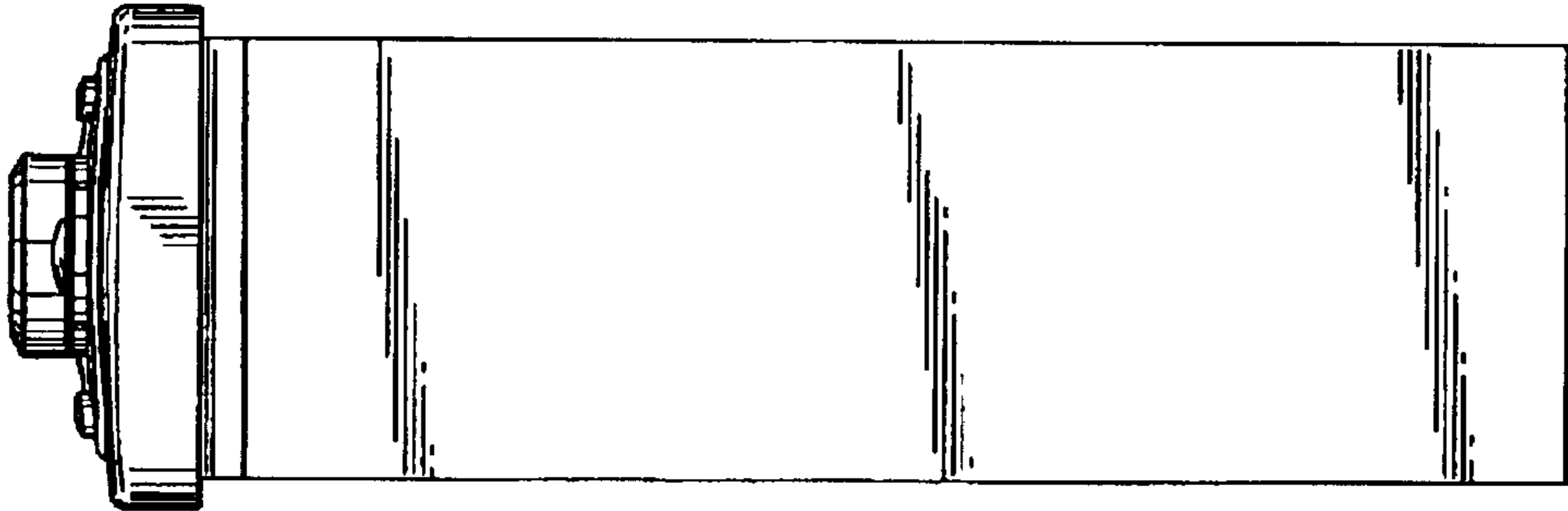


FIG. 3

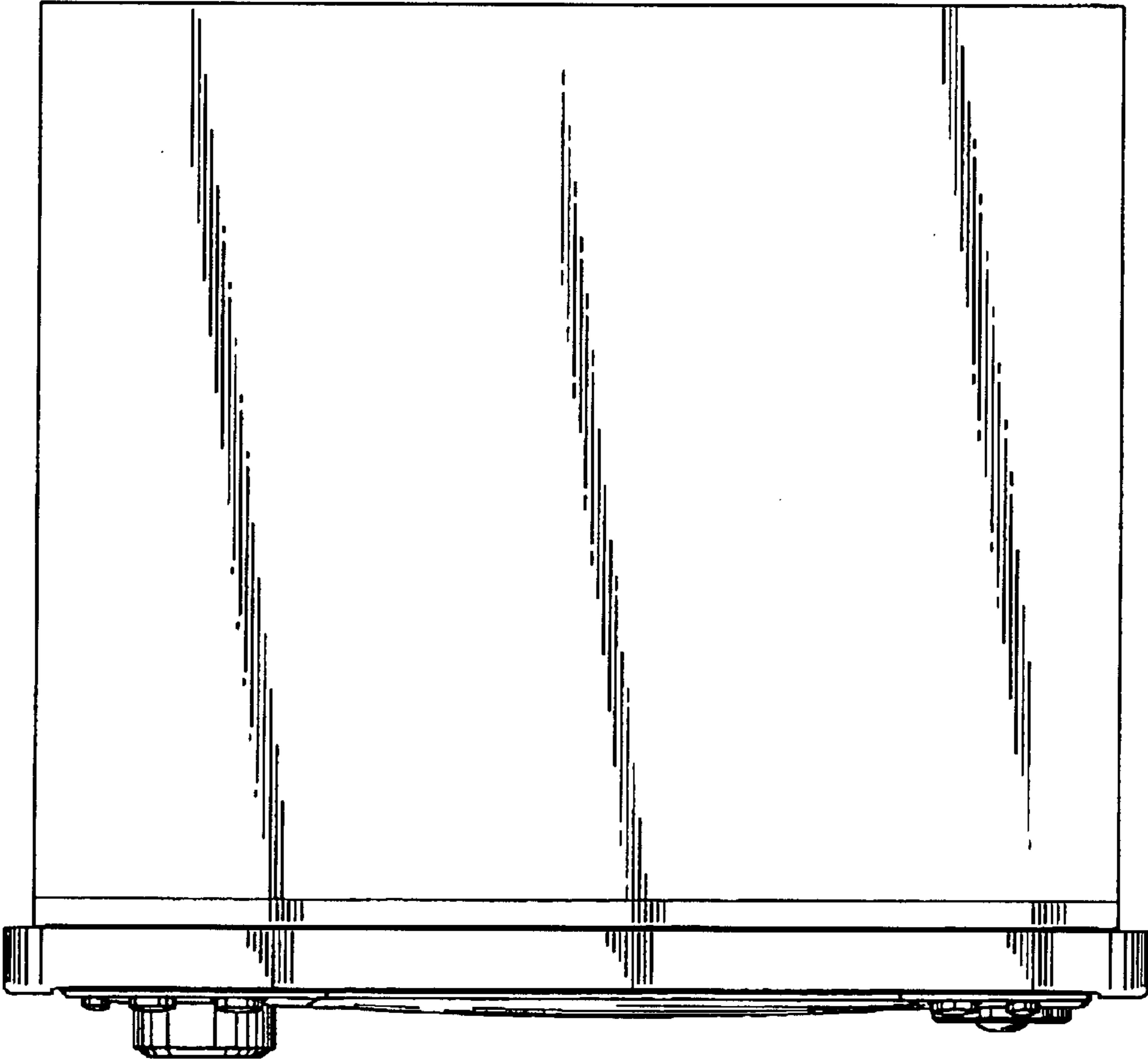


FIG. 4

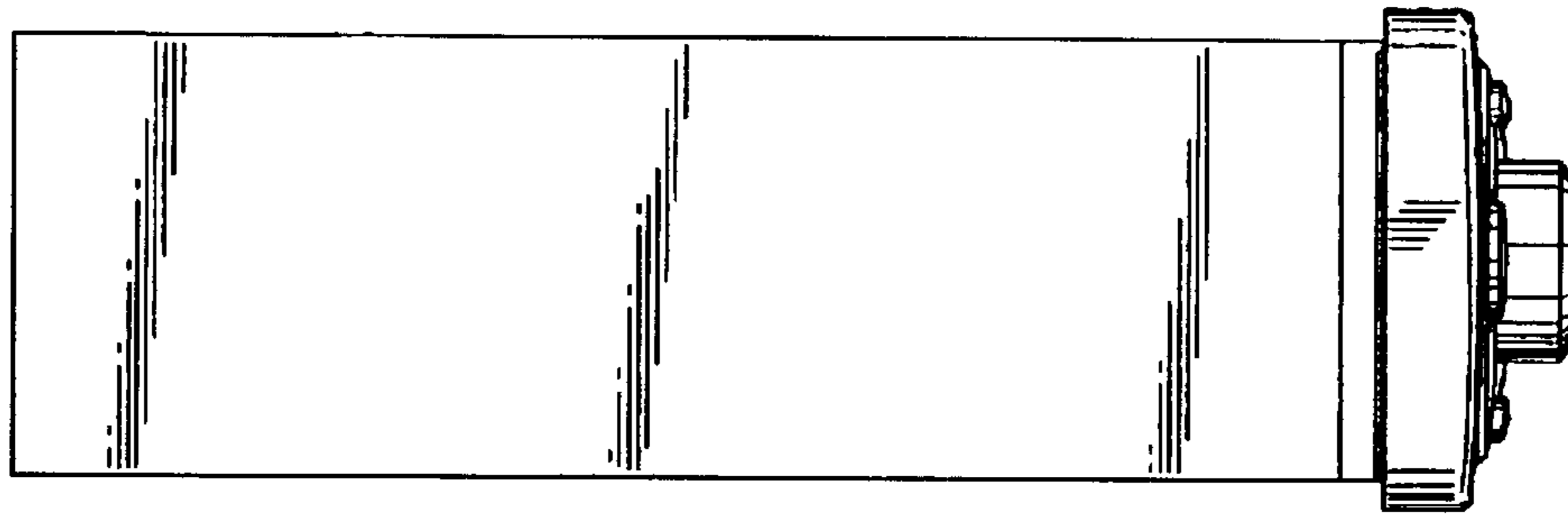


FIG. 5

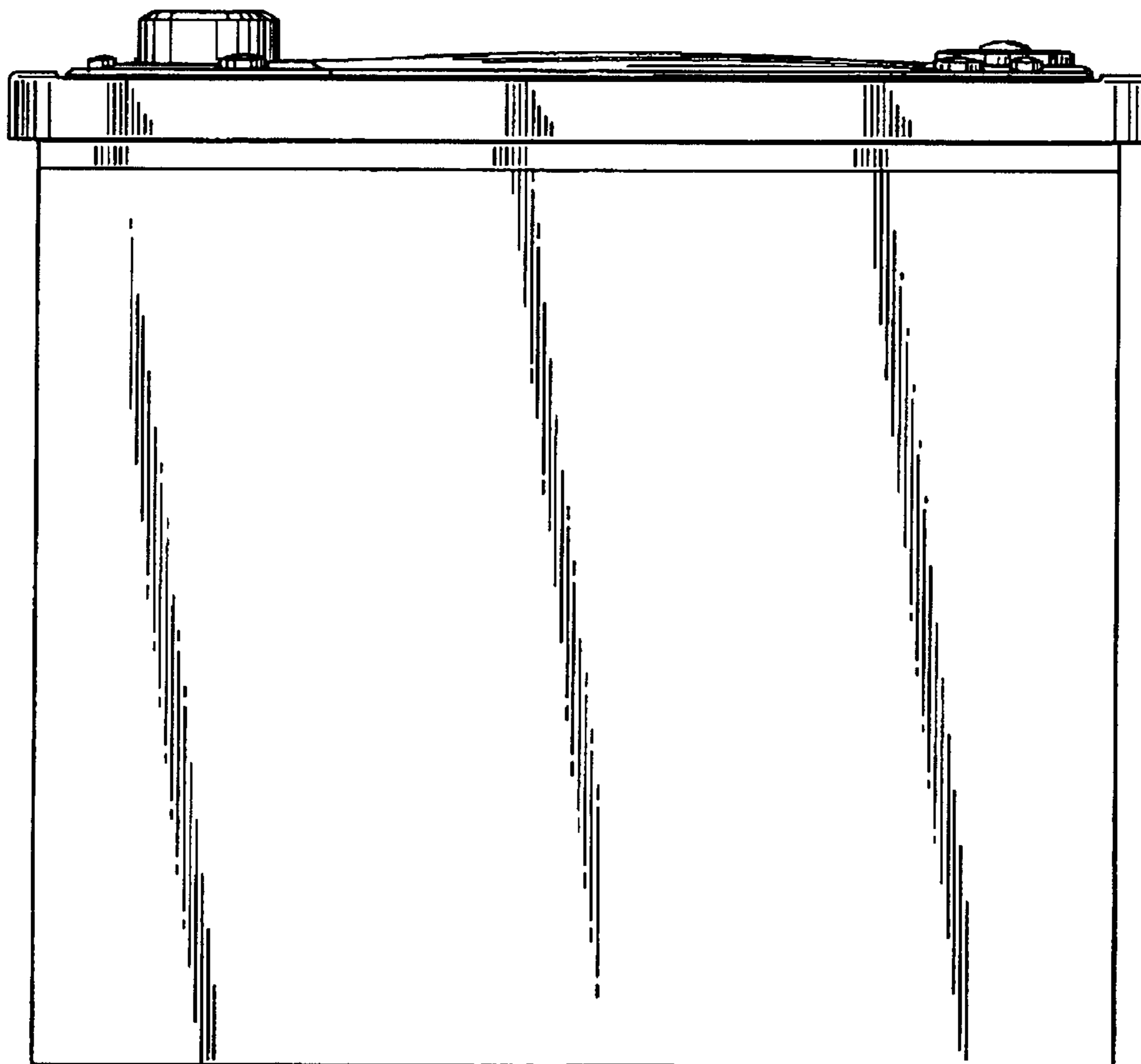


FIG. 6

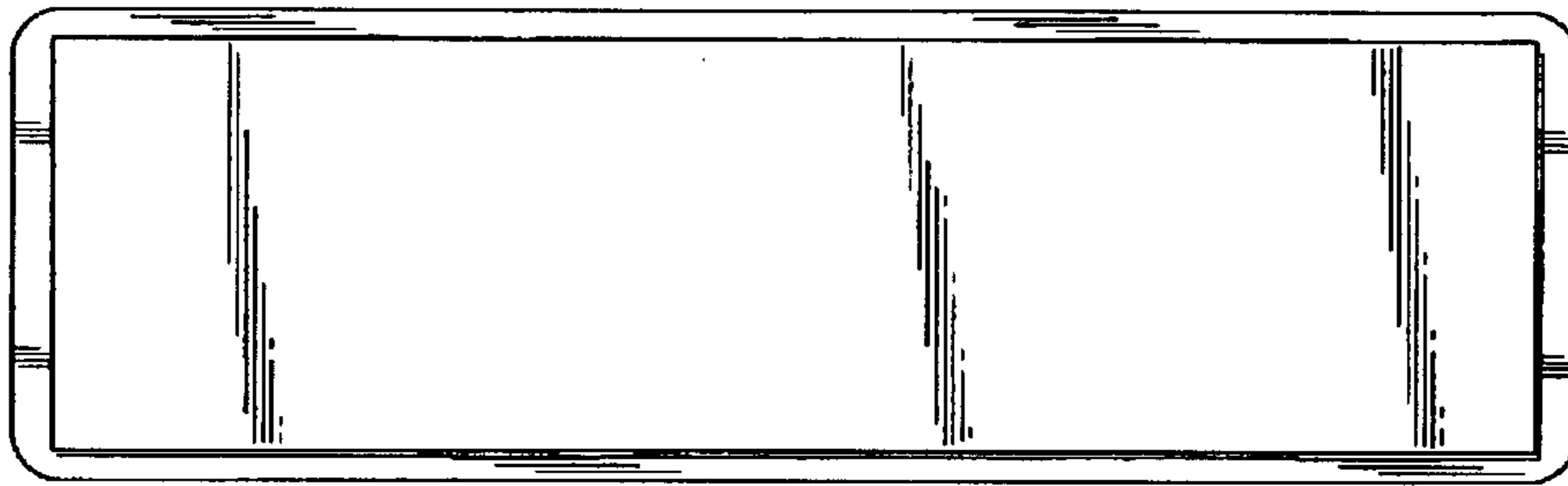


FIG. 7

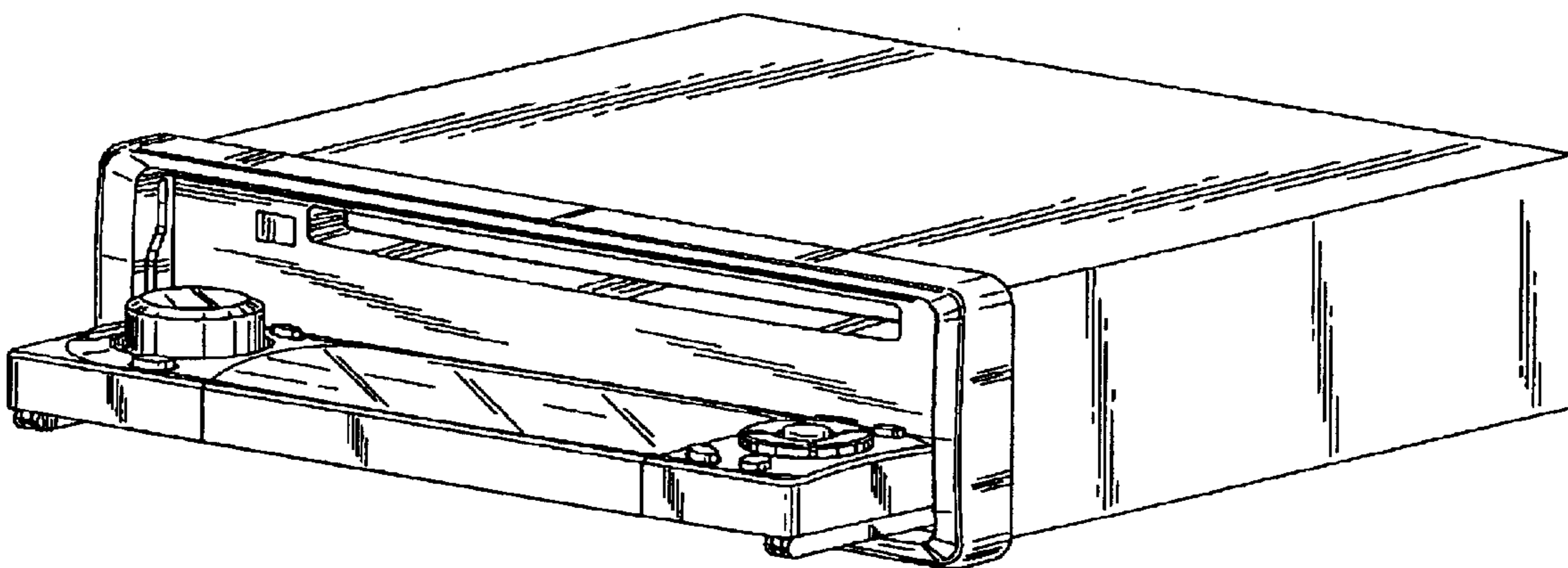


FIG. 8