

US00D495311S1

(12) **United States Design Patent**  
**Taniguchi et al.**

(10) **Patent No.:** **US D495,311 S**

(45) **Date of Patent:** **\*\* Aug. 31, 2004**

(54) **SWITCHING APPARATUS FOR TELEPHONE SET AND DATA TRANSMISSION**

(75) Inventors: **Eiichi Taniguchi**, Kanagawa (JP);  
**Shinsuke Miura**, Kanagawa (JP);  
**Masaki Kato**, Tokyo (JP)

(73) Assignee: **NEC Infrontia Corporation**, Kawasaki (JP)

(\*\*) Term: **14 Years**

(21) Appl. No.: **29/176,992**

(22) Filed: **Mar. 4, 2003**

(30) **Foreign Application Priority Data**

Sep. 5, 2002 (JP) ..... 2002-023987

(51) **LOC (7) Cl.** ..... **14-03**

(52) **U.S. Cl.** ..... **D14/140.1**

(58) **Field of Search** ..... D14/240, 349,  
D14/353, 140, 140.1, 218; D13/184, 147;  
379/900, 902, 434, 419, 268, 269; 455/550-575

(56) **References Cited**

**U.S. PATENT DOCUMENTS**

- D395,048 S \* 6/1998 Kobayashi ..... D14/240
- D406,823 S \* 3/1999 Dorr et al. .... D14/353
- D410,654 S \* 6/1999 Taniguchi ..... D14/240
- D461,798 S \* 8/2002 Nagase ..... D14/240

- D461,799 S \* 8/2002 Nagase ..... D14/240
- D461,800 S \* 8/2002 Nagase ..... D14/240
- D463,794 S \* 10/2002 Hung ..... D14/240
- D469,087 S \* 1/2003 Sue et al. .... D14/349

**FOREIGN PATENT DOCUMENTS**

- GB 2084151 \* 4/1999
- GB 3011713 \* 1/2003
- GB 3011010 \* 7/2003

\* cited by examiner

*Primary Examiner*—Charles Rademaker

(74) *Attorney, Agent, or Firm*—Sughrue Mion, PLLC

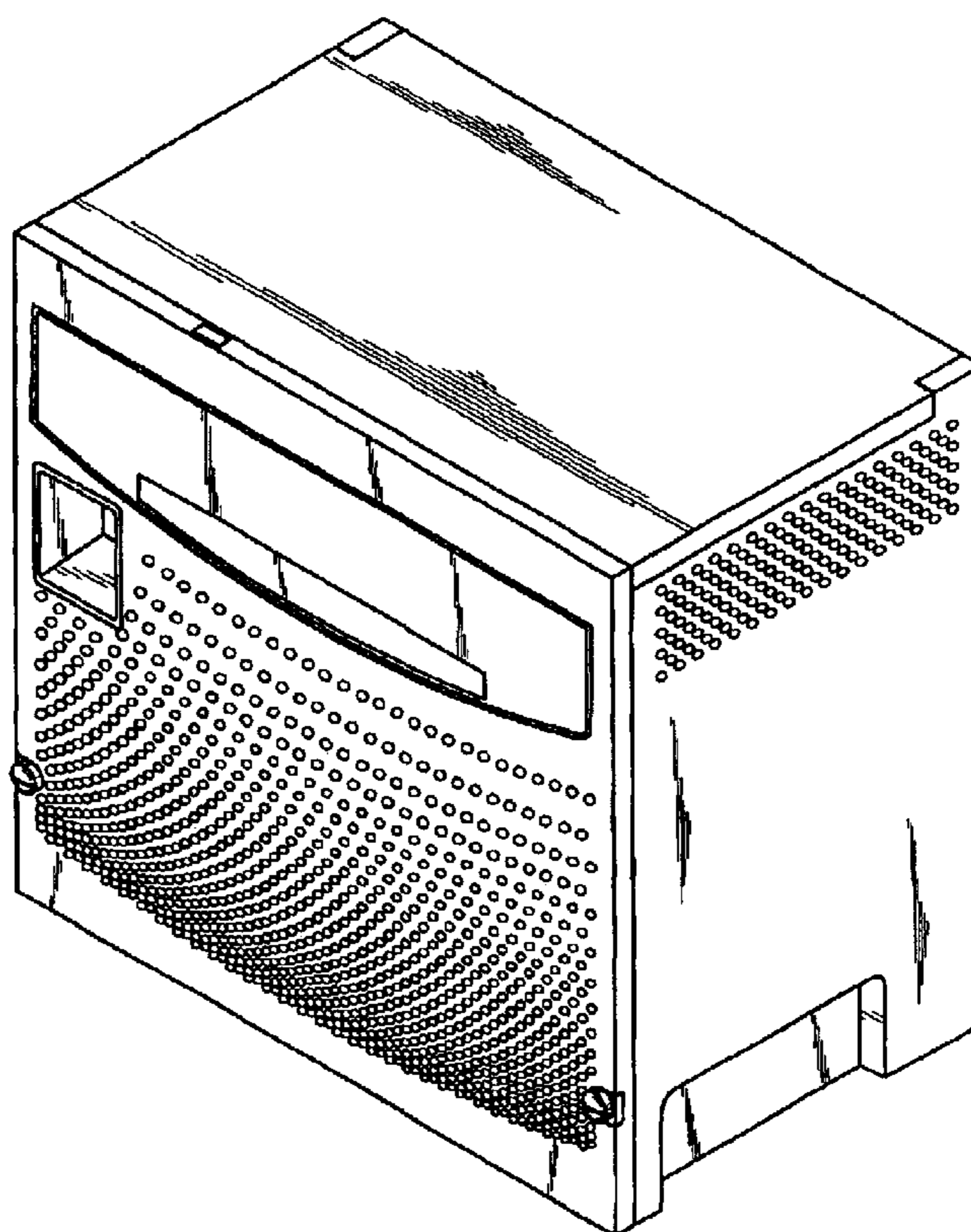
(57) **CLAIM**

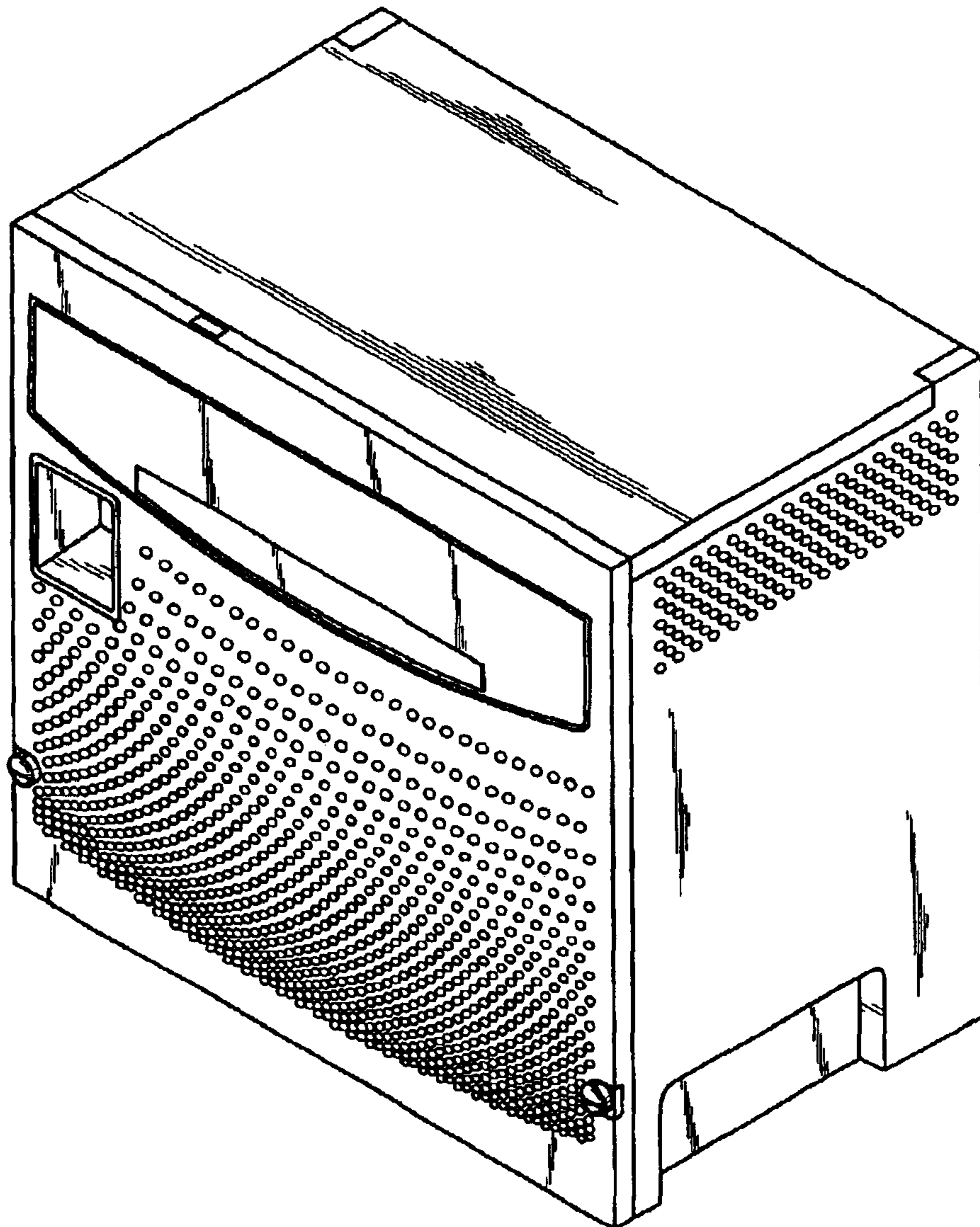
The ornamental design for a switching apparatus for telephone set and data transmission, as shown.

**DESCRIPTION**

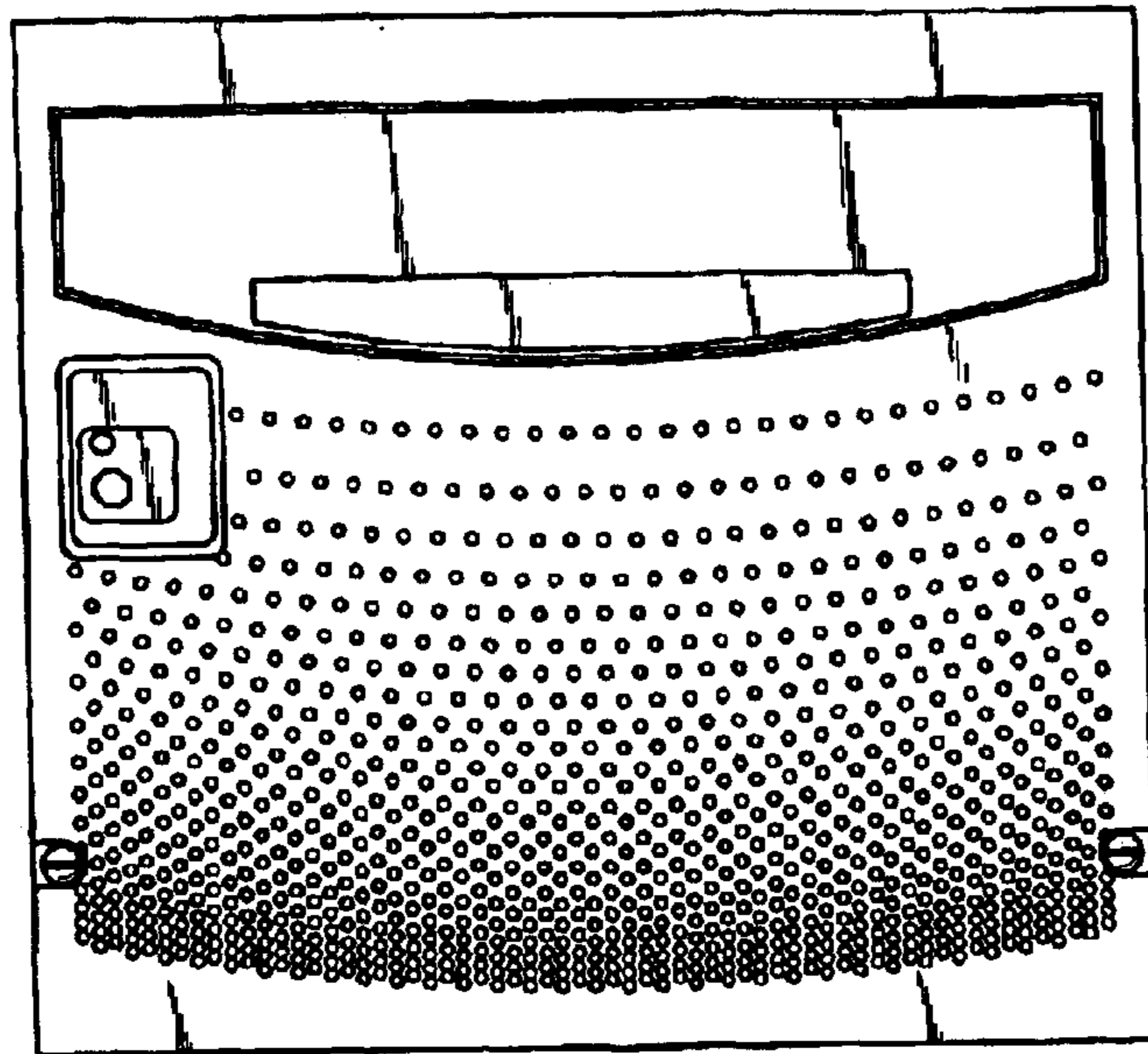
FIG. 1 is a perspective view of the top, front and right side of a switching apparatus for telephone set and data transmission showing our new design;  
 FIG. 2 is a front elevational view thereof;  
 FIG. 3 is a rear elevational view thereof;  
 FIG. 4 is a left side elevational view thereof;  
 FIG. 5 is a right side elevational view thereof;  
 FIG. 6 is a top plan view thereof; and,  
 FIG. 7 is a bottom plan view thereof.

**1 Claim, 4 Drawing Sheets**

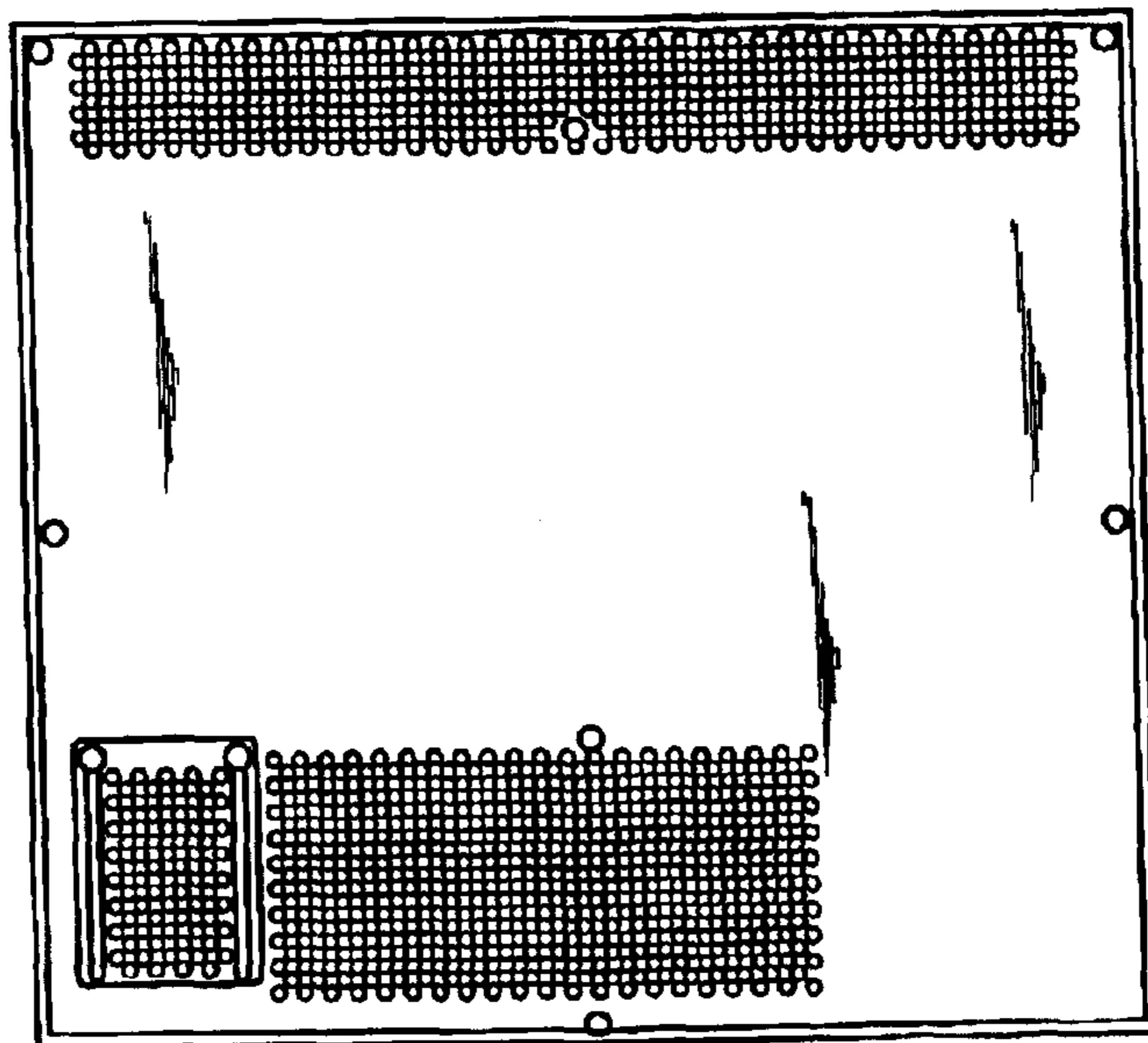




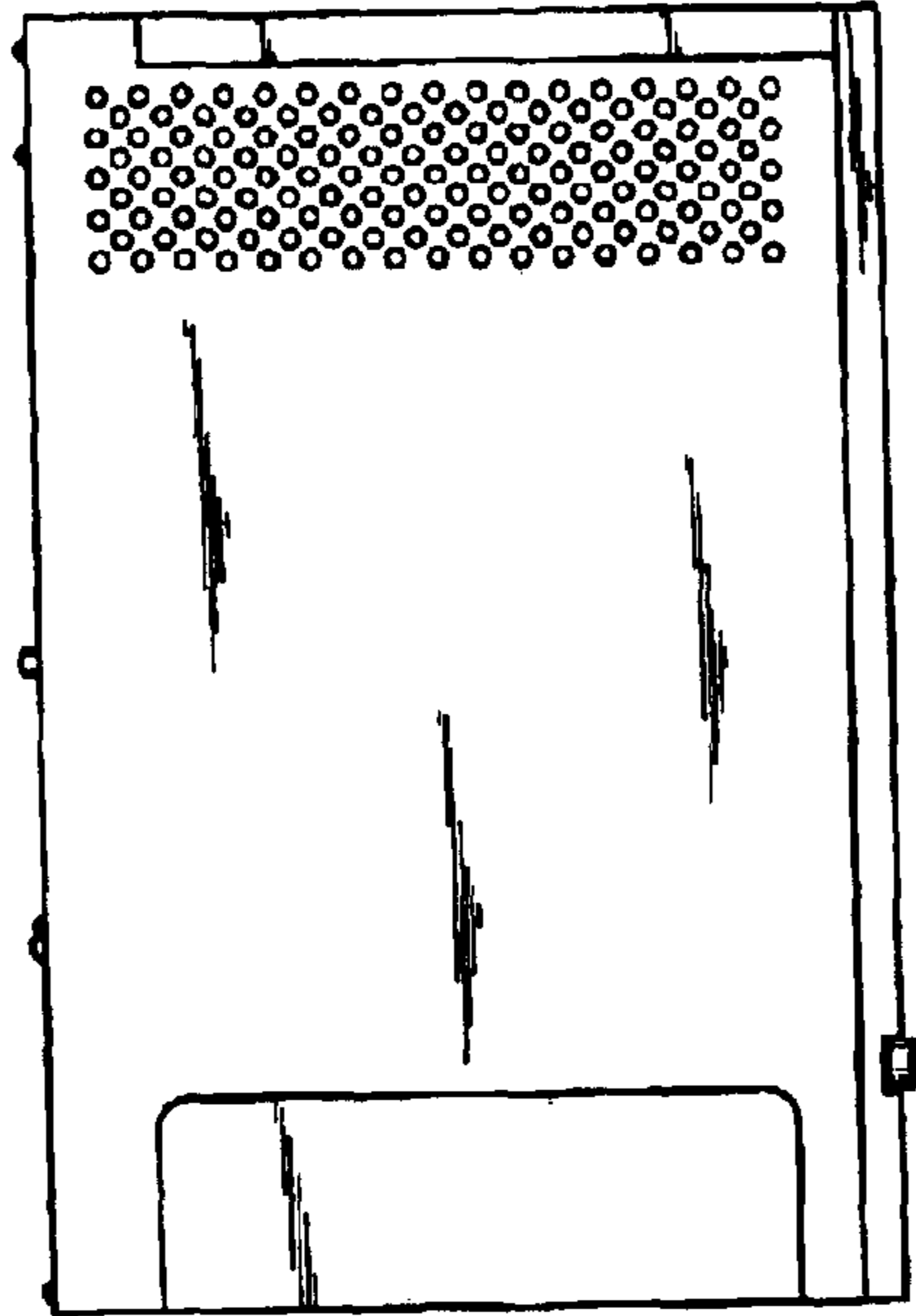
*Fig. 1*



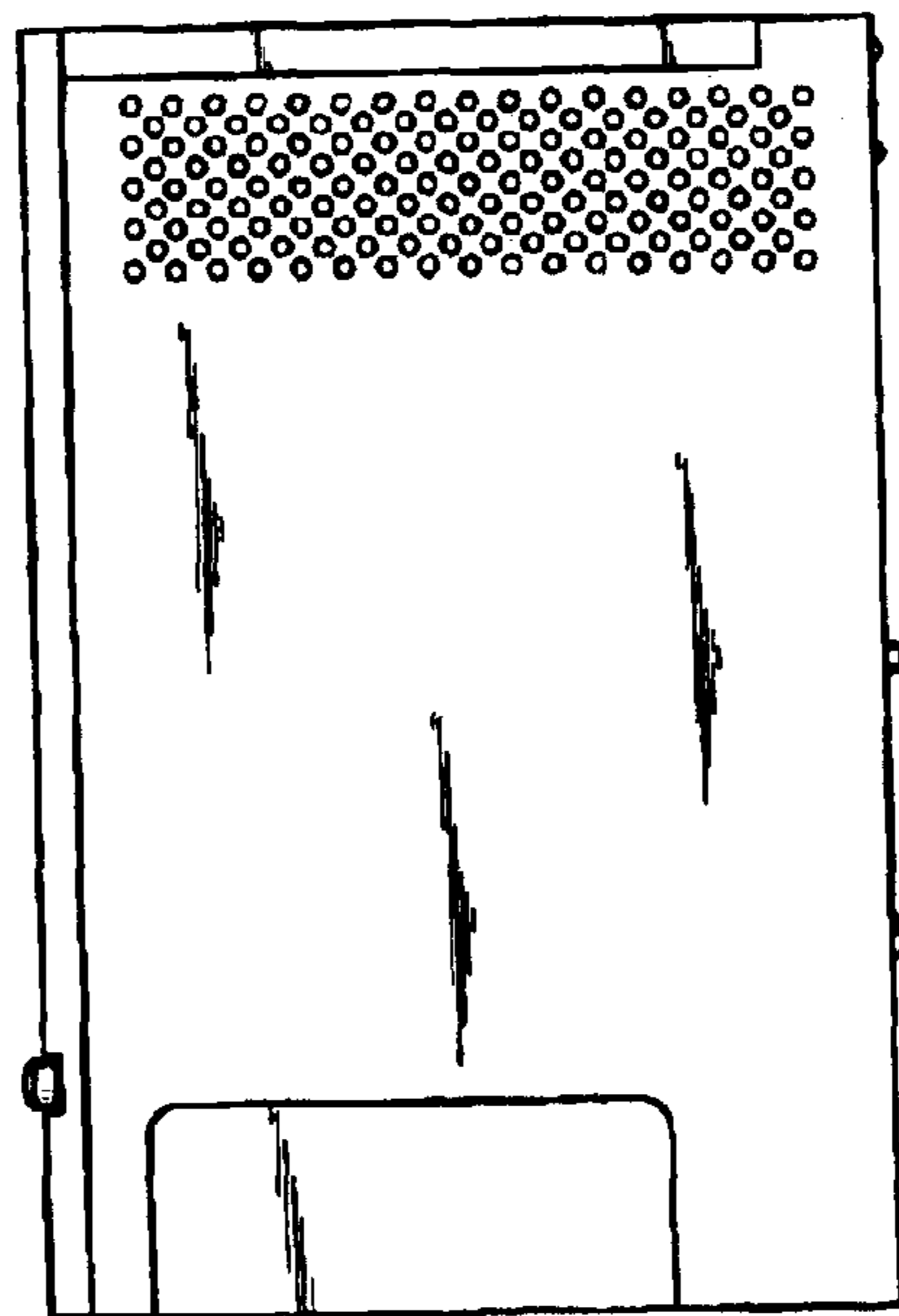
*Fig. 2*



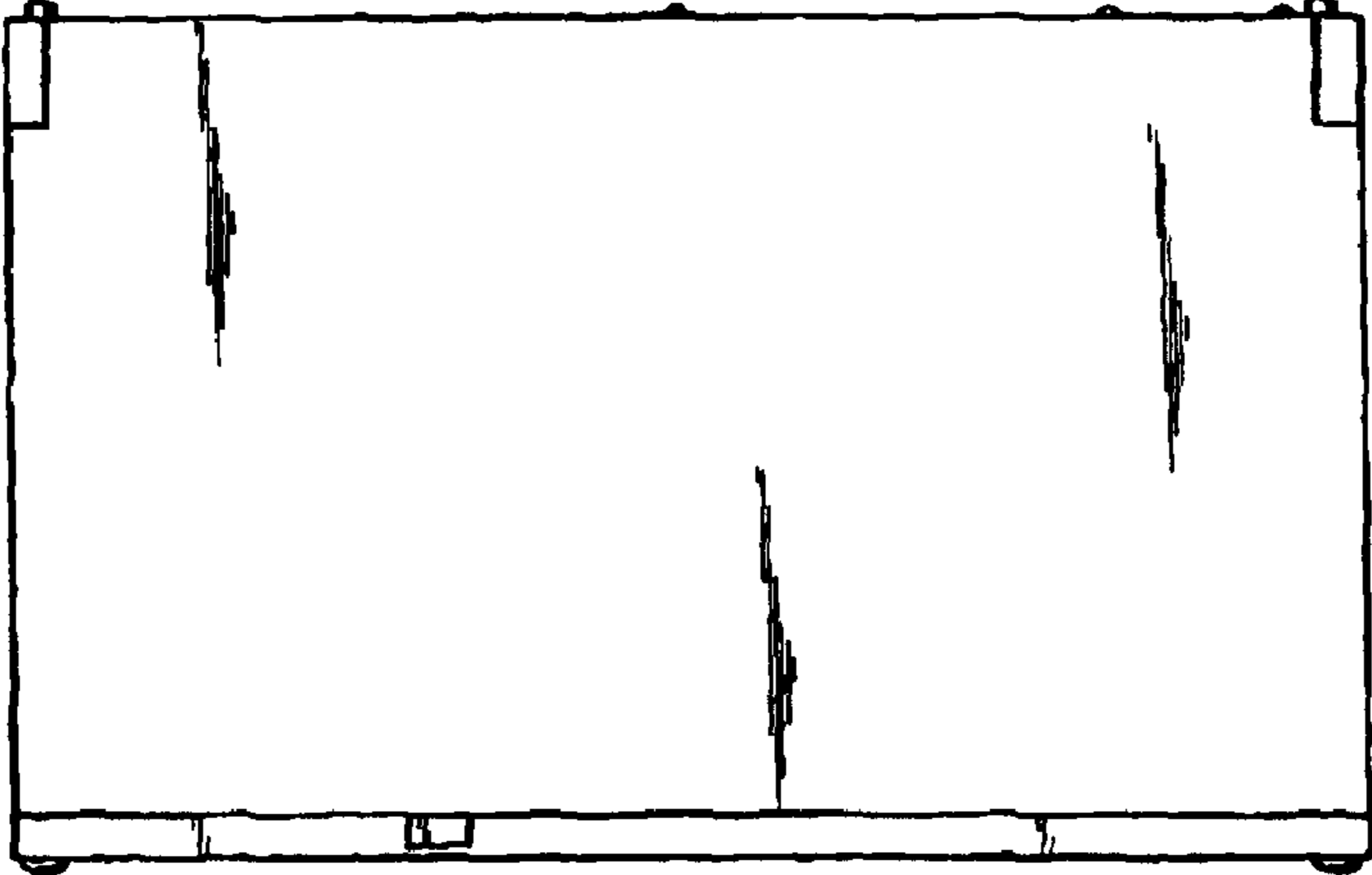
*Fig. 3*



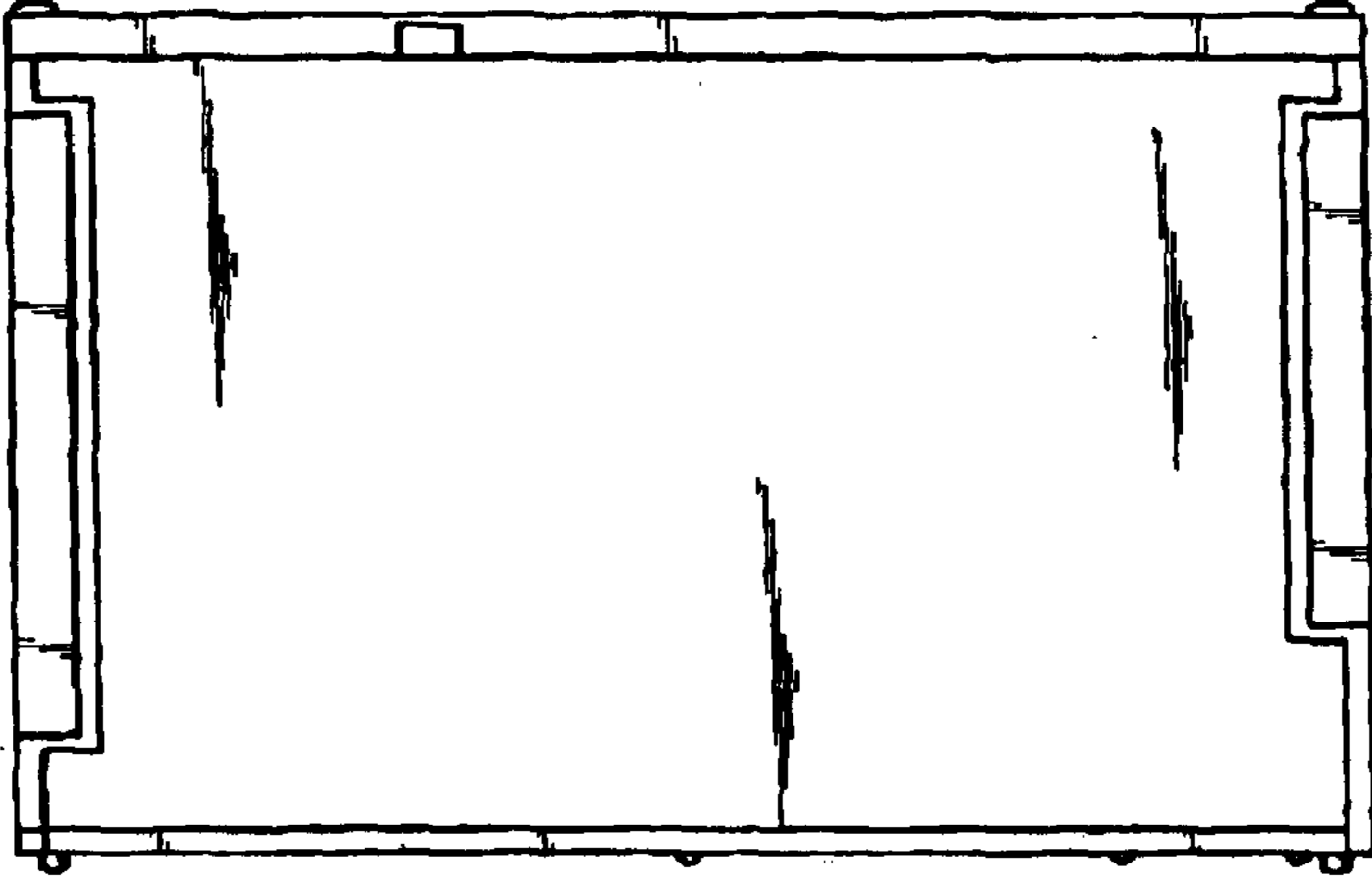
*Fig. 4*



*Fig. 5*



*Fig. 6*



*Fig. 7*