



US00D495306S1

(12) **United States Design Patent** (10) **Patent No.:** **US D495,306 S**  
**Fletcher et al.** (45) **Date of Patent:** **\*\* Aug. 31, 2004**

- (54) **DISPLAY STATION AND THREE-DIMENSIONAL DISPLAY CEILING**
- (75) Inventors: **Tim Fletcher**, Raleigh, NC (US);  
**Suresh Balu**, Chapel Hill, NC (US);  
**Raymond L. Idaszak**, Apex, NC (US)
- (73) Assignee: **Elumens Corporation**, Durham, NC (US)
- (\*\*) Term: **14 Years**
- (21) Appl. No.: **29/180,635**
- (22) Filed: **Apr. 28, 2003**
- (51) **LOC (7) Cl.** ..... **14-03**
- (52) **U.S. Cl.** ..... **D14/125**
- (58) **Field of Search** ..... D14/125-136;  
348/51, 52-60, 121-124; 345/716; 353/94

(56) **References Cited**

**U.S. PATENT DOCUMENTS**

D132,985 S	7/1942	Lyons	.....	D6/449
3,311,017 A	3/1967	Eckholm	.....	D16/221
D241,214 S	8/1976	Szucs	.....	D6/428
D252,244 S	7/1979	Edson	.....	D6/473
D258,784 S	4/1981	Edson	.....	D6/473
D261,449 S	10/1981	Edson	.....	D6/473
5,394,198 A	2/1995	Janow	.....	348/744
5,502,481 A	3/1996	Deetinger et al.	.....	348/51
5,611,174 A *	3/1997	Hayashi	.....	353/94
D389,680 S	1/1998	Moore	.....	D6/511
D394,002 S	5/1998	Morelli	.....	D6/472
5,746,599 A *	5/1998	Lechner	.....	348/123
5,762,413 A *	6/1998	Colucci et al.	.....	353/122
D405,981 S	2/1999	Alexander et al.	.....	D6/426
6,034,717 A	3/2000	Deetinger et al.	.....	348/51
D436,469 S	1/2001	Idaszak et al.	.....	D6/480
D440,794 S	4/2001	Zobel, Jr. et al.	.....	D6/449
6,530,667 B1 *	3/2003	Idaszak et al.	.....	345/716

\* cited by examiner

*Primary Examiner*—Raphael Barkai  
(74) *Attorney, Agent, or Firm*—Myers Bigel Sibley & Sajovec

(57) **CLAIM**

The ornamental design for a display station and a three-dimensional display ceiling, as shown and described.

**DESCRIPTION**

FIG. 1 is a front perspective view of a display station showing our new design;

FIG. 2 is a front elevational view of the display station of FIG. 1;

FIG. 3 is a left side elevational view of the display station of FIG. 1, the right side elevational view being a mirror image thereof;

FIG. 4 is a rear elevational view of the display station of FIG. 1;

FIG. 5 is a bottom plan view of the display station of FIG. 1; however, the bottommost surface of the display station does not form part of the claimed invention;

FIG. 6 is a top plan view of the display station of FIG. 1;

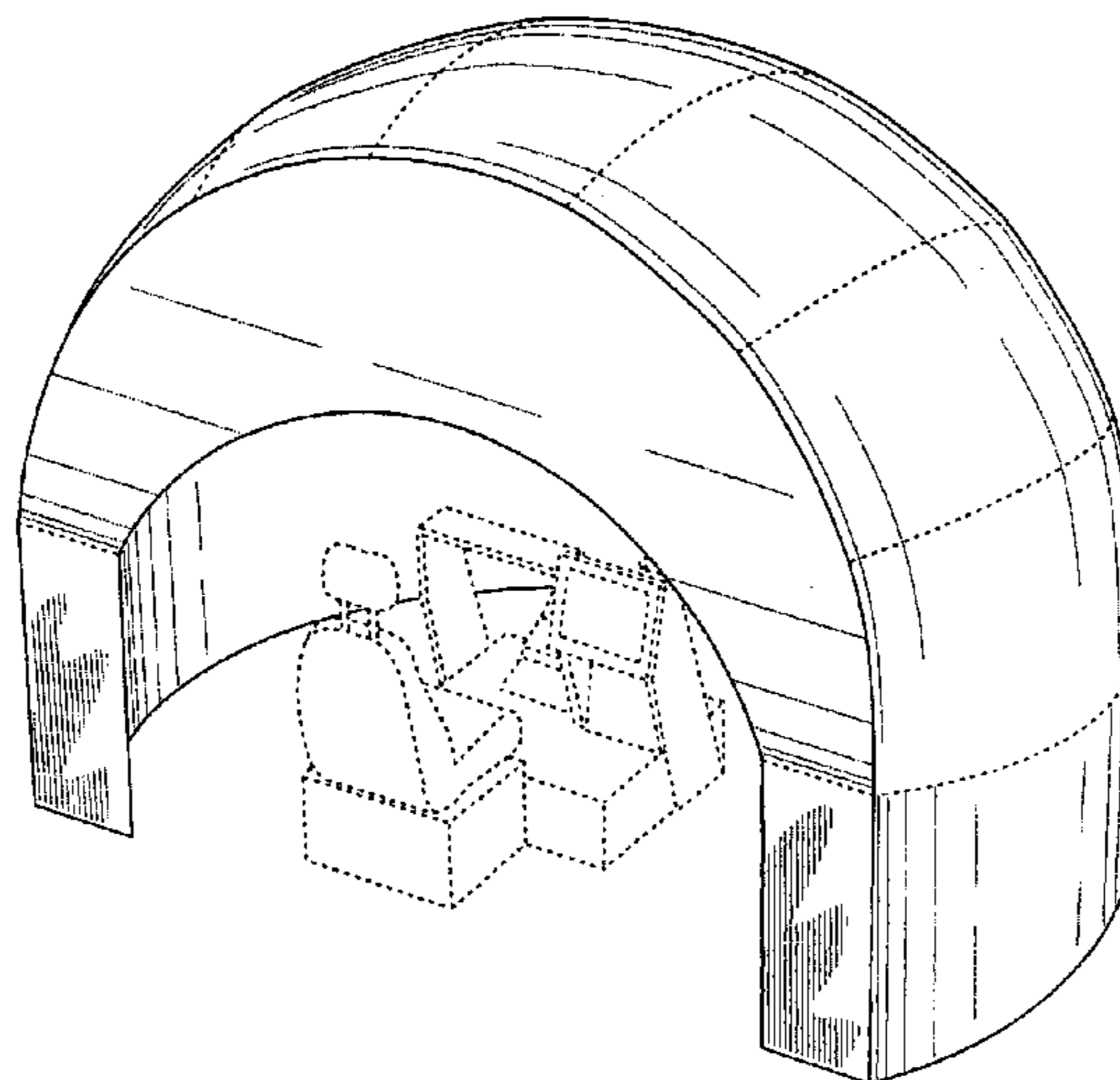
FIG. 7 is a right side sectional view taken along the line 7—7 of FIG. 2 to further show the interior of the display station of FIG. 1;

FIG. 8 is a right side sectional view of a three-dimensional display ceiling showing our new design, wherein exemplary projected optics that may be projected on the three-dimensional display ceiling are indicated by dashed arrows; and,

FIG. 9 is a bottom plan view of the three-dimensional display ceiling of FIG. 8.

The broken lines in the drawings are provided to illustrate the environment of the claimed invention and do not form a part of the claimed invention. The internal portions of the display station illustrated with cross-sectional hatching in the drawings also do not form a part of the claimed invention.

**1 Claim, 5 Drawing Sheets**



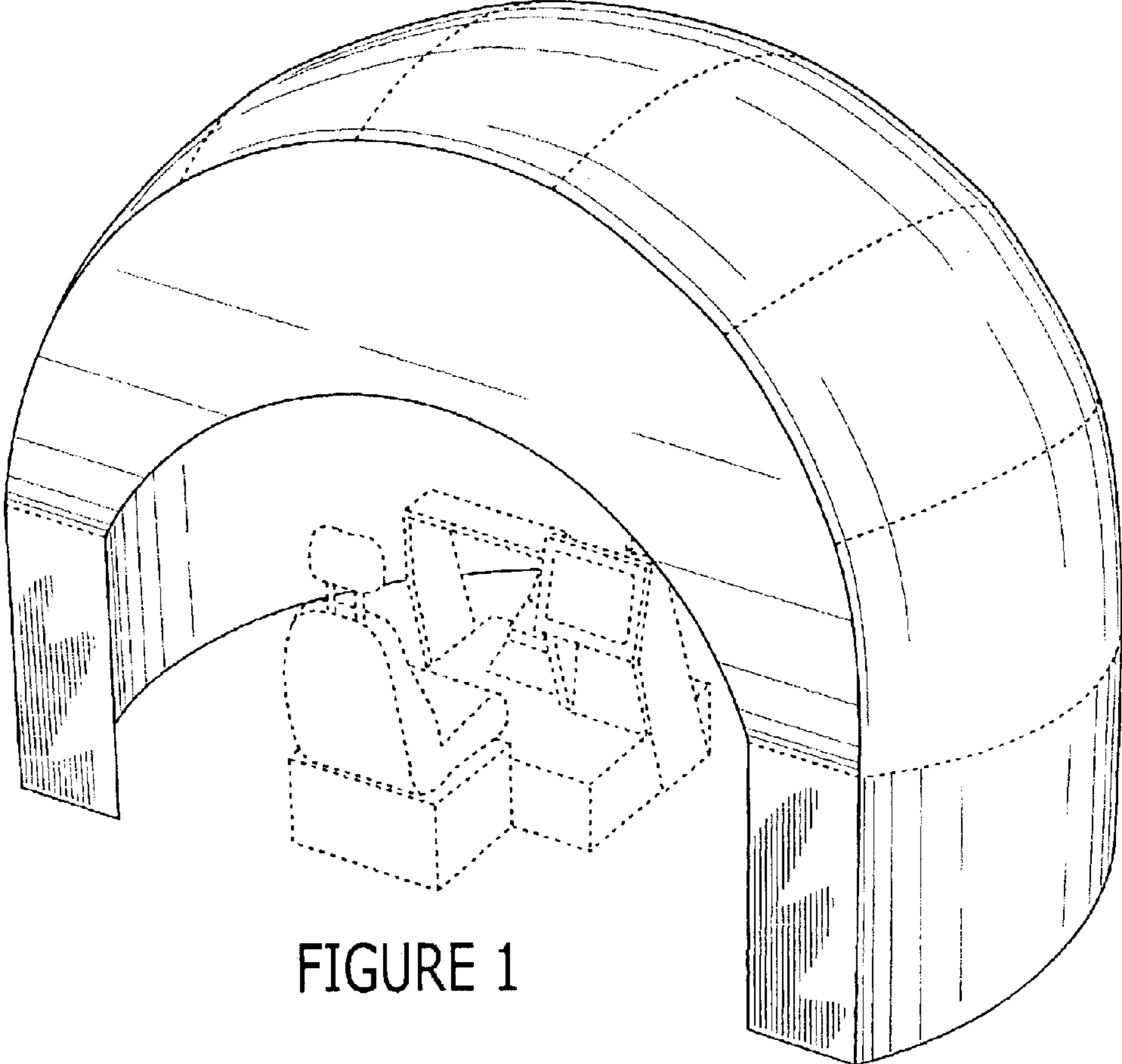


FIGURE 1

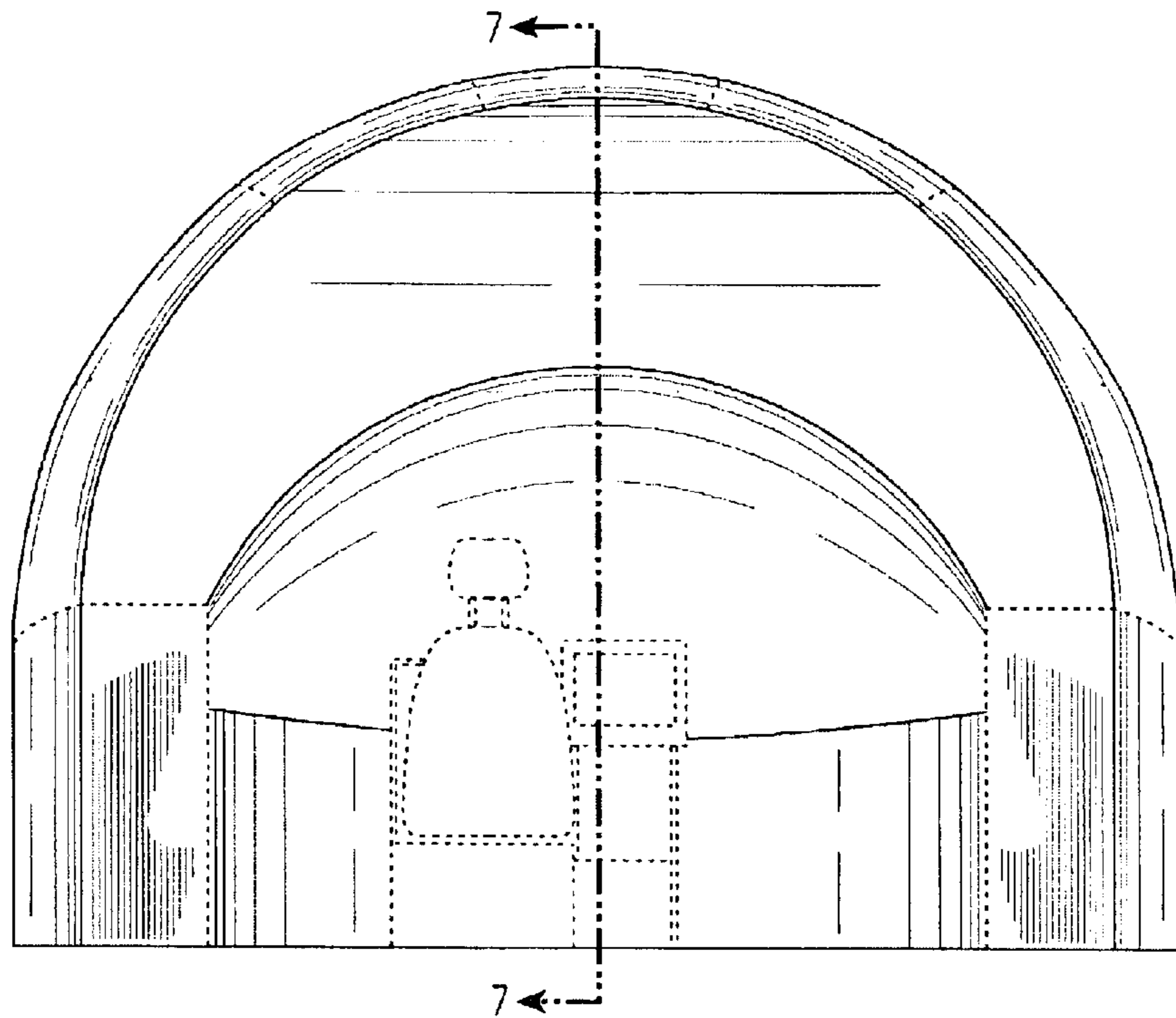


FIGURE 2

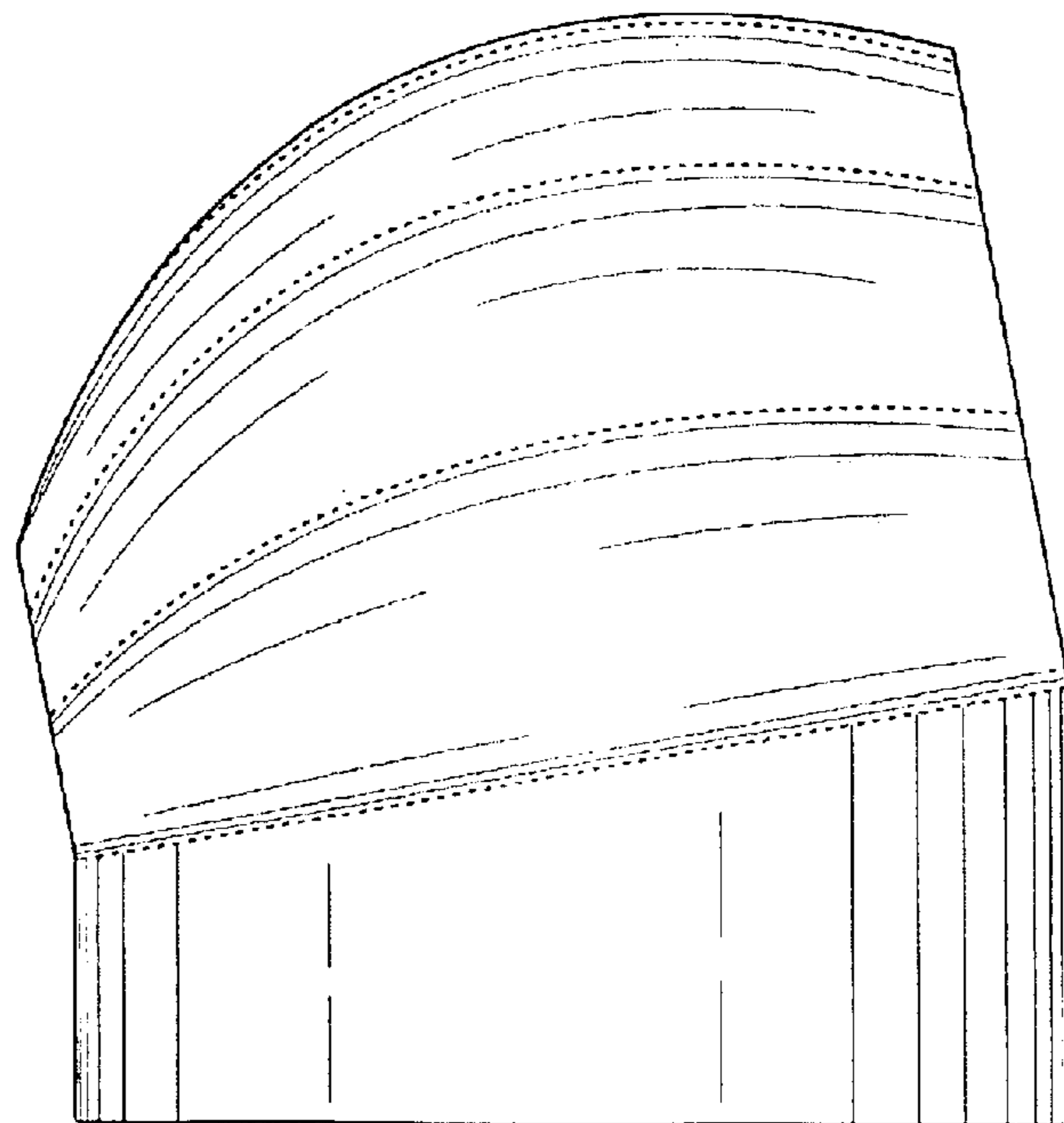


FIGURE 3

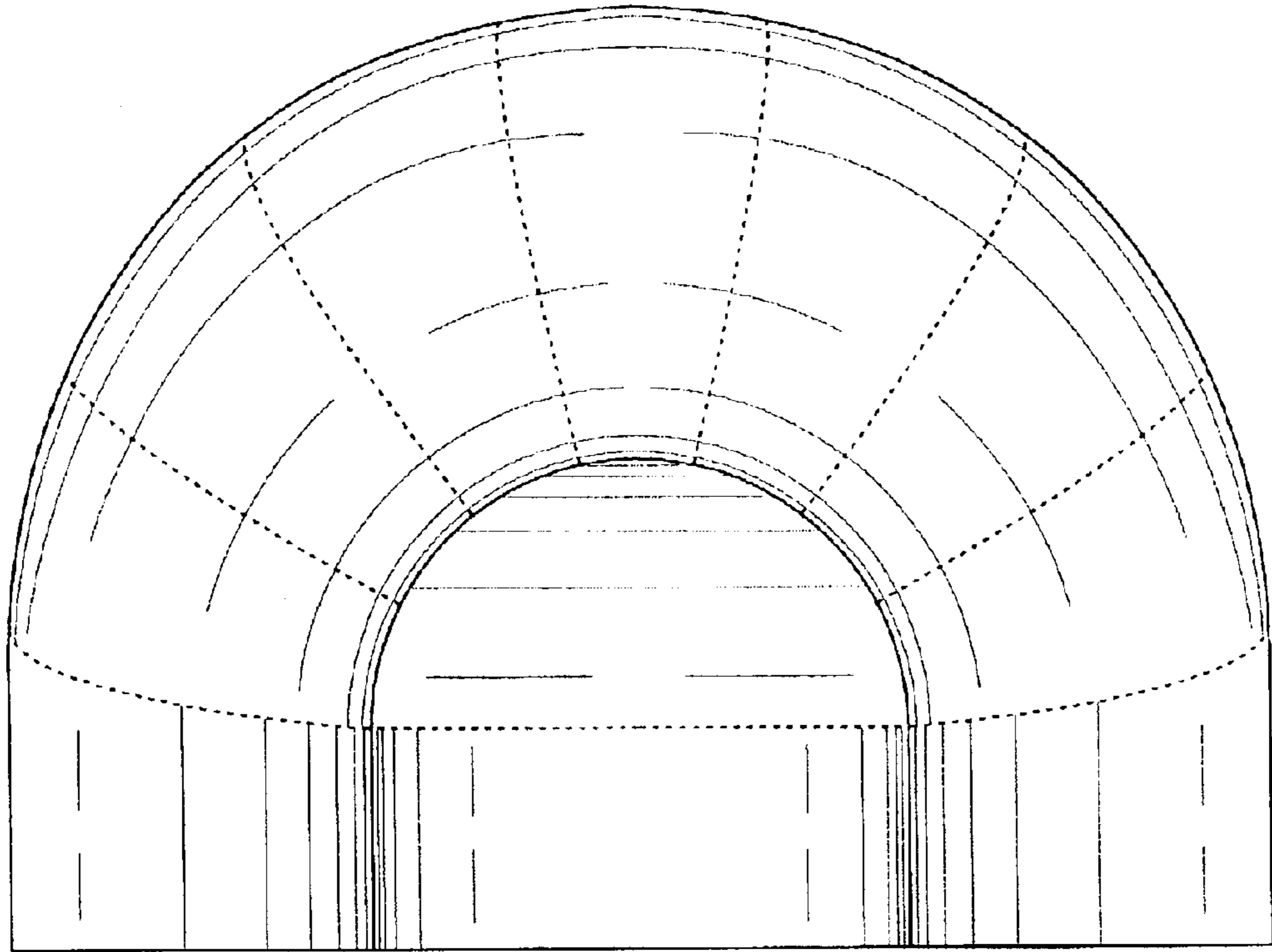


FIGURE 4

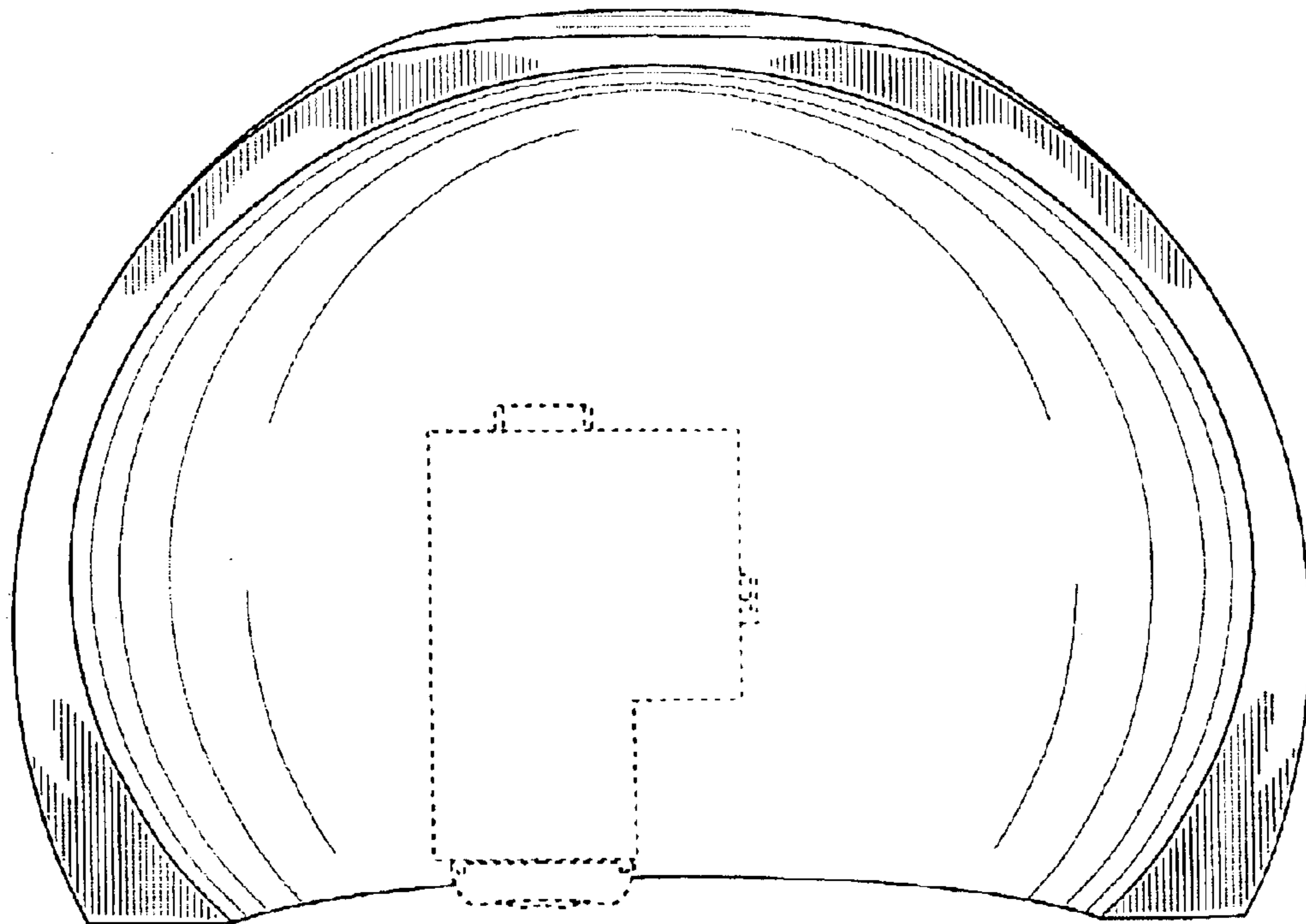


FIGURE 5

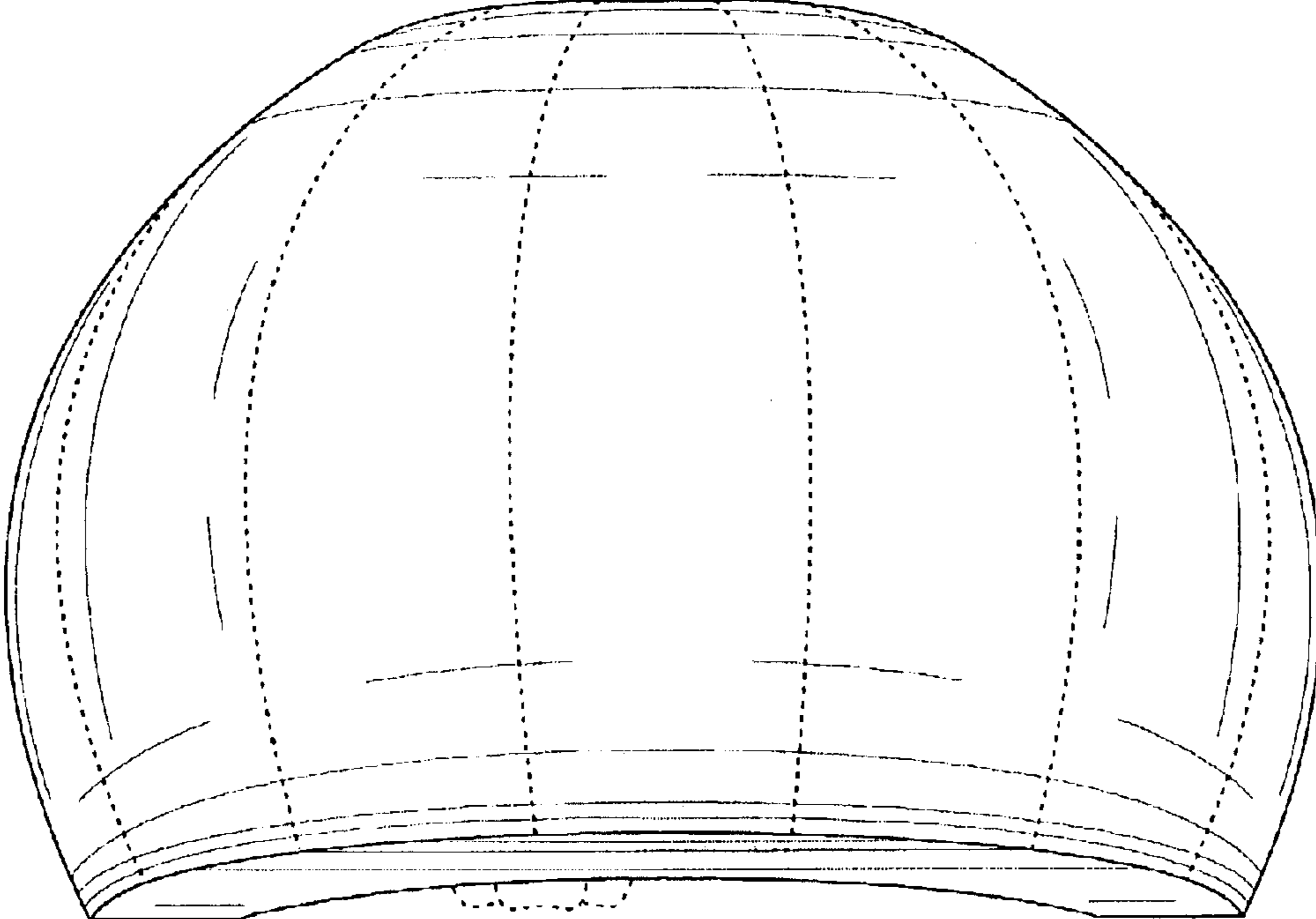


FIGURE 6

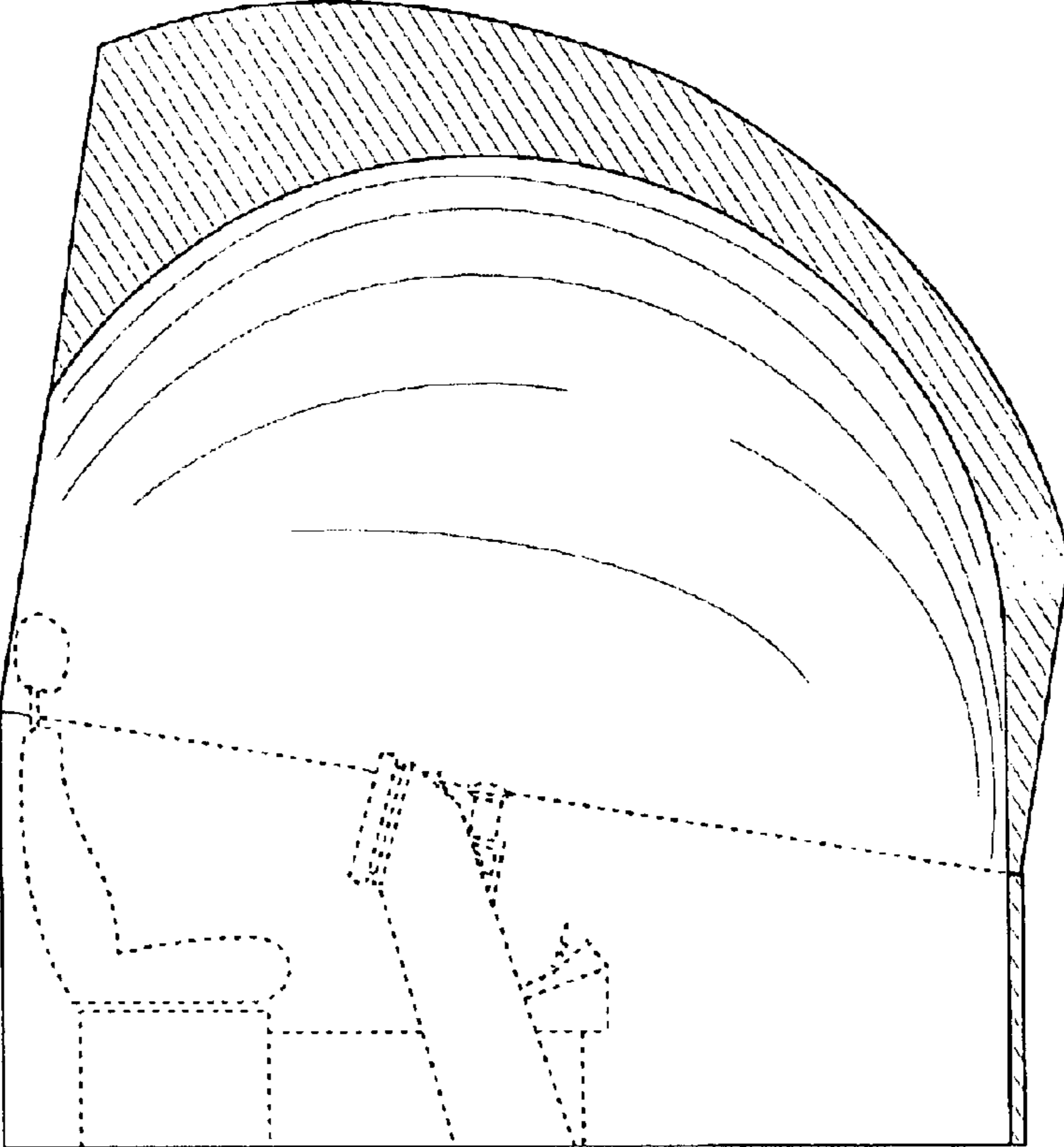


FIGURE 7

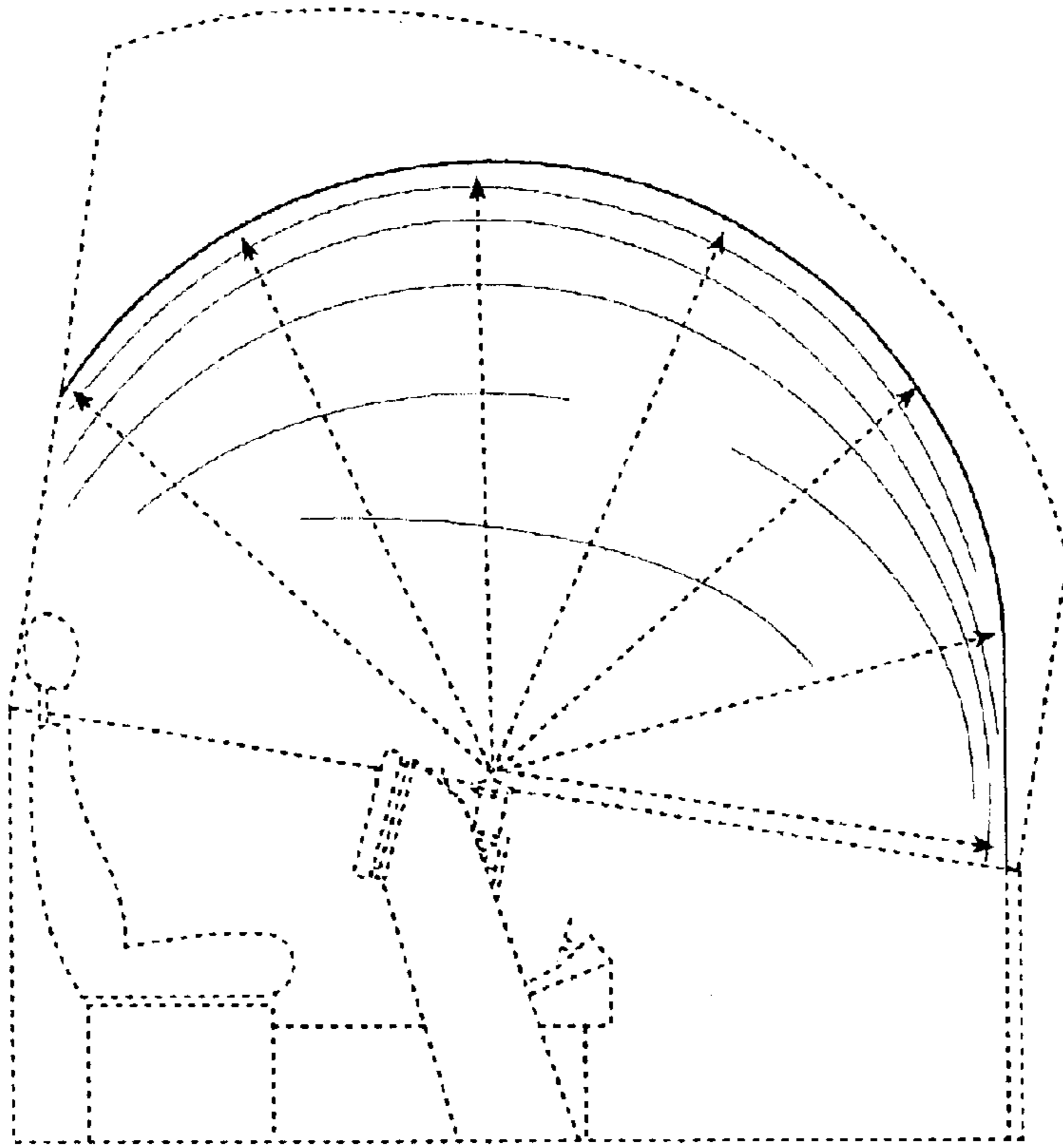


FIGURE 8

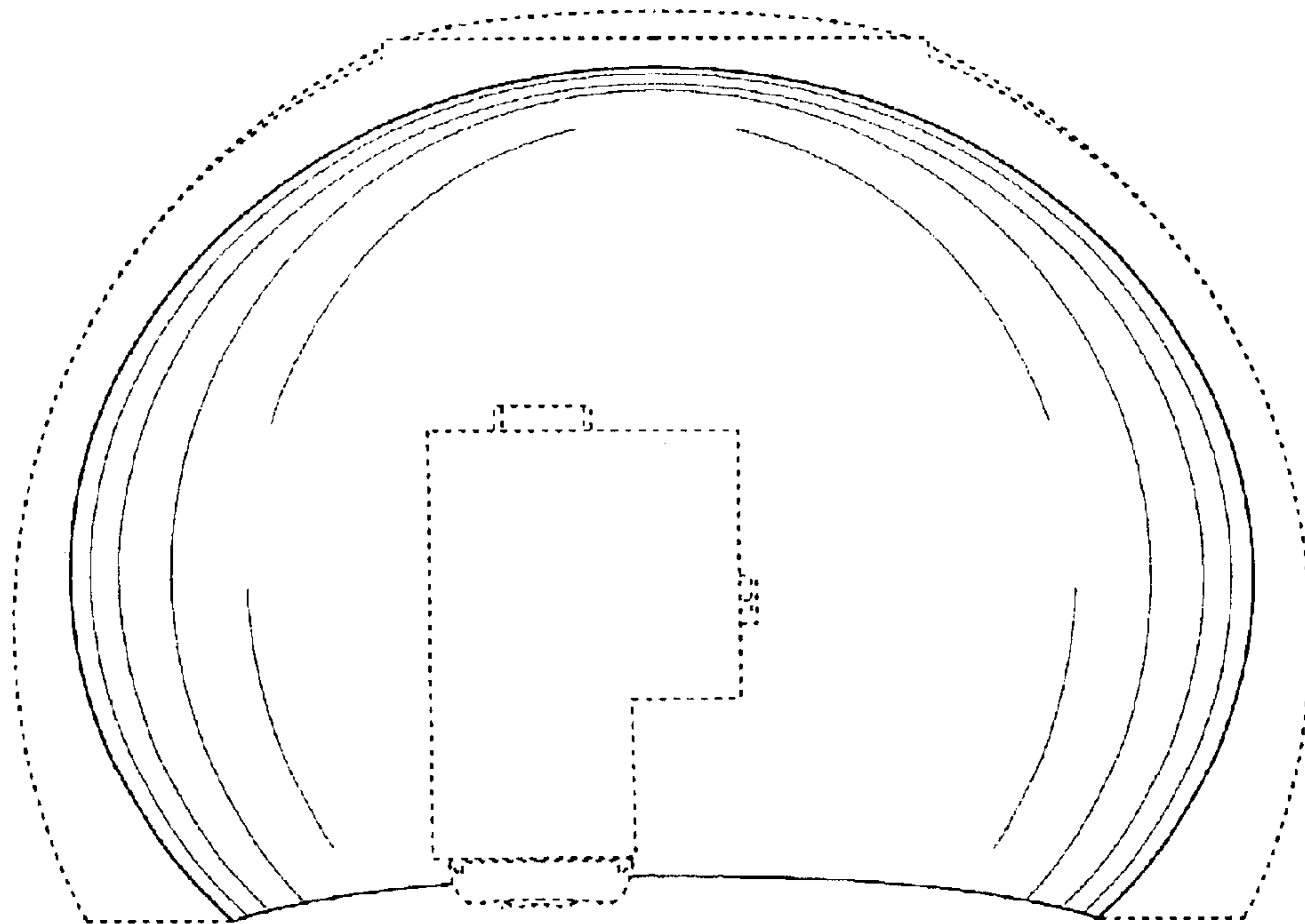


FIGURE 9

UNITED STATES PATENT AND TRADEMARK OFFICE  
**CERTIFICATE OF CORRECTION**

PATENT NO. : Des. 495,306 S  
DATED : August 31, 2004  
INVENTOR(S) : Fletcher et al.

Page 1 of 1

It is certified that error appears in the above-identified patent and that said Letters Patent is hereby corrected as shown below:

Title page,

Item [56], **References Cited**, FOREIGN PATENT DOCUMENTS, please add  
-- JP 07080096 3/1995 --

Signed and Sealed this

First Day of February, 2005

A handwritten signature in black ink on a dotted background. The signature reads "Jon W. Dudas" in a cursive style.

JON W. DUDAS

*Director of the United States Patent and Trademark Office*