

US00D495304S1

(12) **United States Design Patent**
Kim et al.

(10) **Patent No.: US D495,304 S**

(45) **Date of Patent: ** Aug. 31, 2004**

(54) **LIGHT-EMITTING DIODE**

(75) Inventors: **Chang Wook Kim**, Kyungki-do (KR);
Jung Kyu Park, Kyungki-do (KR)

(73) Assignee: **Samsung Electro-Mechanics Co., Ltd.**
(KR)

(**) Term: **14 Years**

(21) Appl. No.: **29/196,061**

(22) Filed: **Dec. 19, 2003**

(30) **Foreign Application Priority Data**

Nov. 10, 2003 (KR) 30-2003-0031735

(51) **LOC (7) Cl. 13-03**

(52) **U.S. Cl. D13/180**

(58) **Field of Search** D13/180, 182;
D10/104; 257/80, 88, 89, 98, 100, 433;
313/493, 500; 361/820; 362/246, 800; 439/557,
620; 345/83

(56) **References Cited**

U.S. PATENT DOCUMENTS

RE36,614 E * 3/2000 Lumbar et al. 313/500
D432,095 S * 10/2000 Seeger et al. D13/182
D437,798 S * 2/2001 Kiba et al. D10/104

D439,351 S * 3/2001 Kiba et al. D26/37
6,386,733 B1 * 5/2002 Ohkohdo et al. 362/249
6,459,130 B1 * 10/2002 Arndt et al. 257/432
D471,166 S * 3/2003 Oshio et al. D13/182
D477,579 S * 7/2003 Suenaga D13/180
6,586,721 B2 * 7/2003 Estevez-Garcia 250/221
2003/0136968 A1 * 7/2003 Fjelstad 257/82

* cited by examiner

Primary Examiner—Philip S. Hyder

Assistant Examiner—Selina Sikder

(74) *Attorney, Agent, or Firm*—Webb Ziesenheim Logsdon
Orkin & Hanson, P.C.

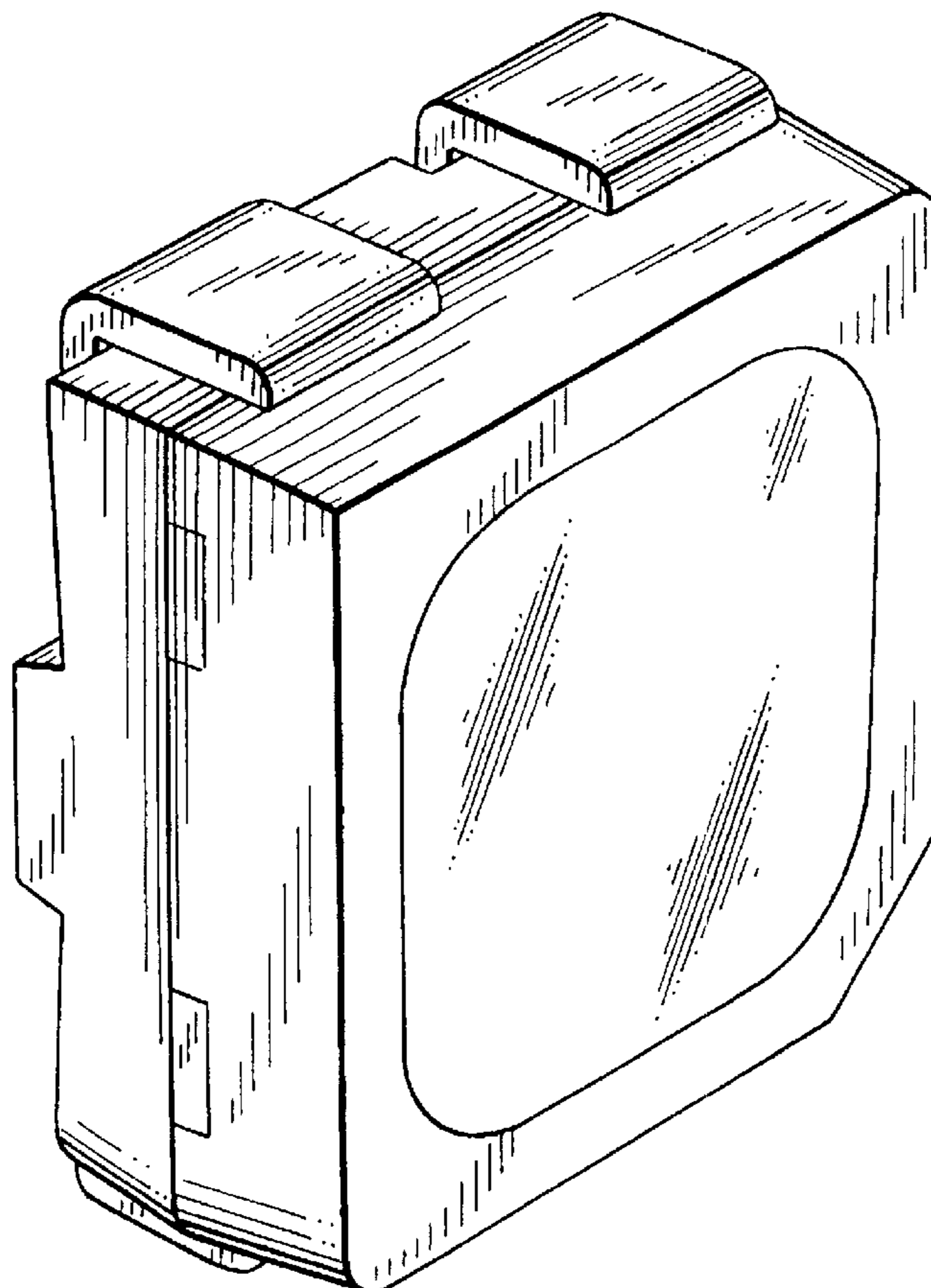
(57) **CLAIM**

The ornamental design for a light-emitting diode, as shown
and described.

DESCRIPTION

FIG. 1 is a perspective view of a light-emitting diode of the
invention;
FIG. 2 is a front view thereof;
FIG. 3 is a rear view thereof;
FIG. 4 is a left side view thereof;
FIG. 5 is a right side view thereof;
FIG. 6 is a top plan view thereof; and,
FIG. 7 is a bottom view thereof.

1 Claim, 5 Drawing Sheets



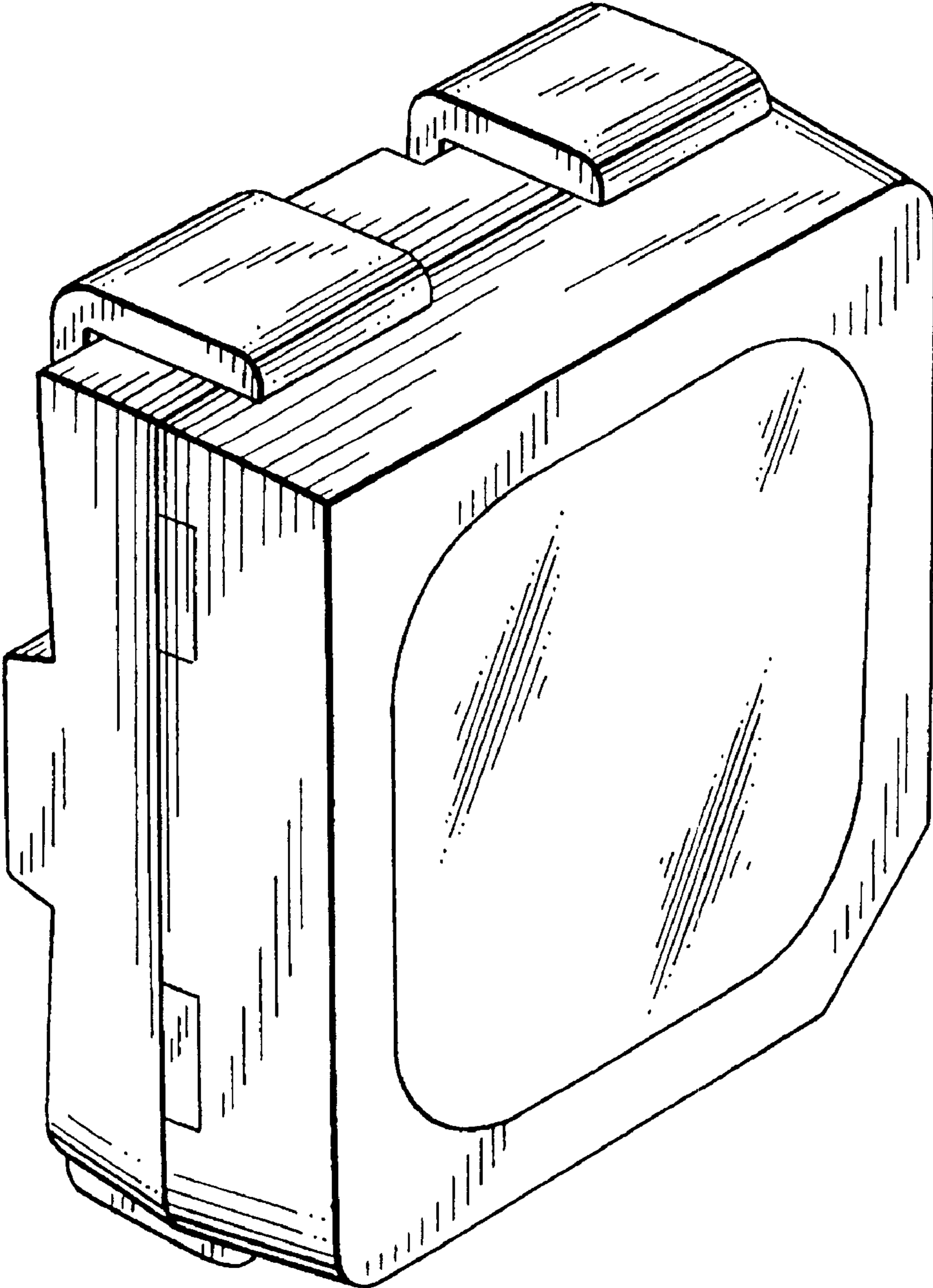


FIG. 1

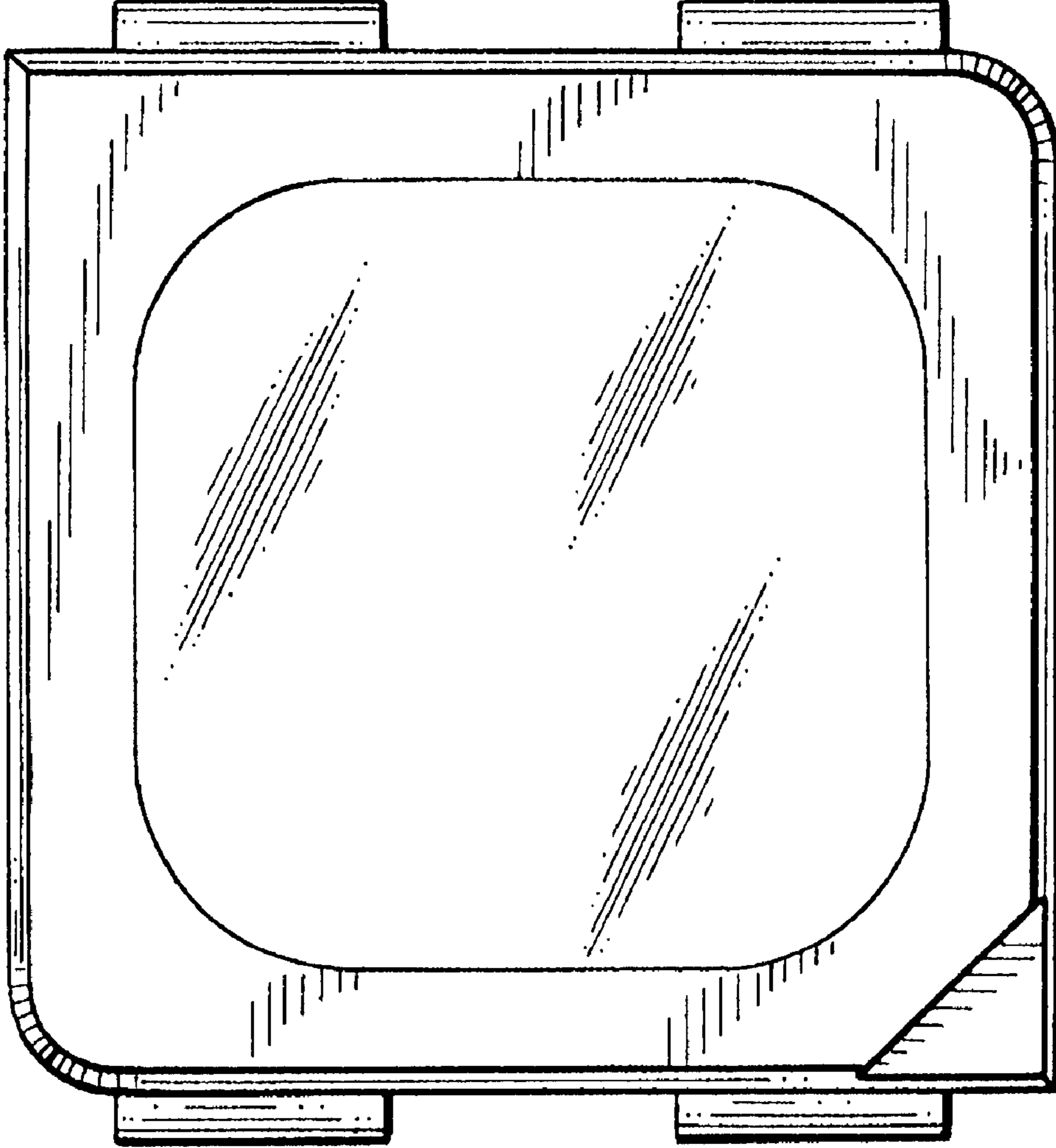


FIG. 2

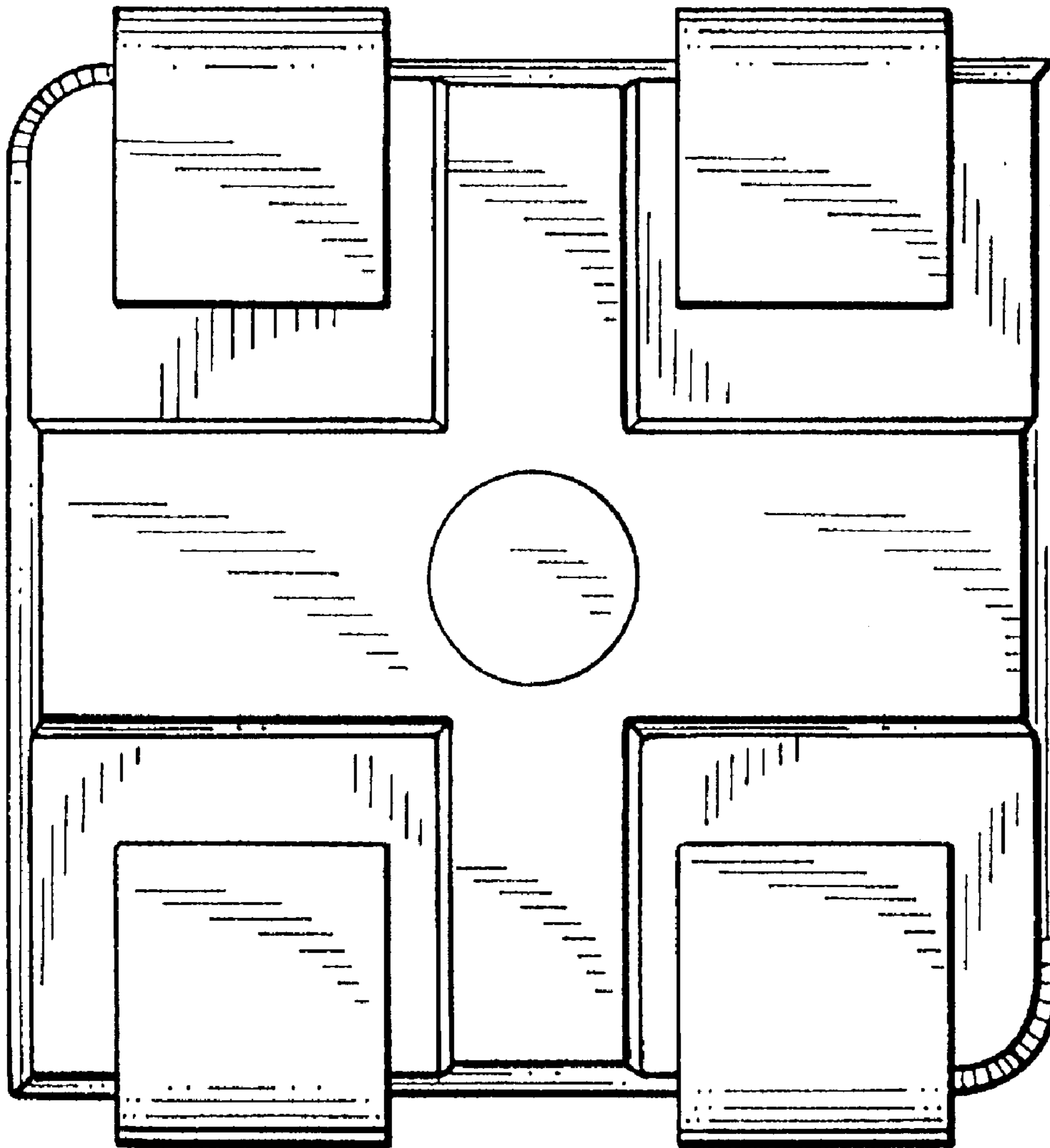


FIG. 3

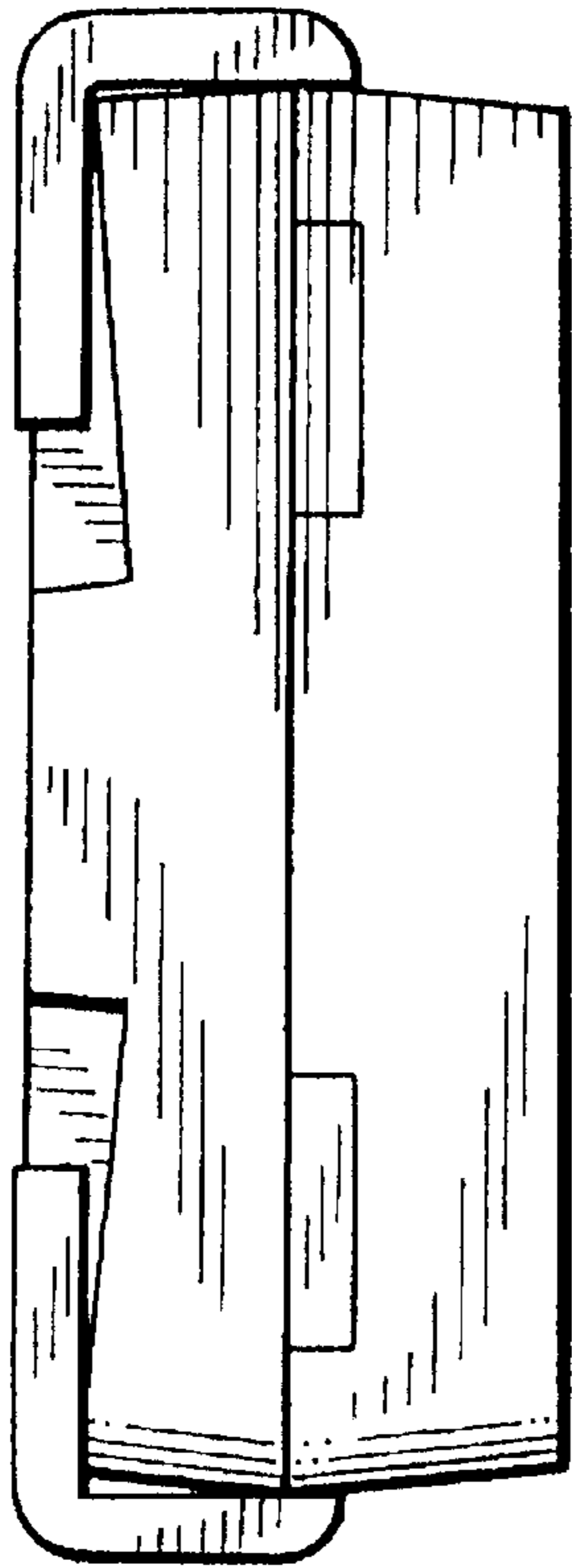


FIG. 4

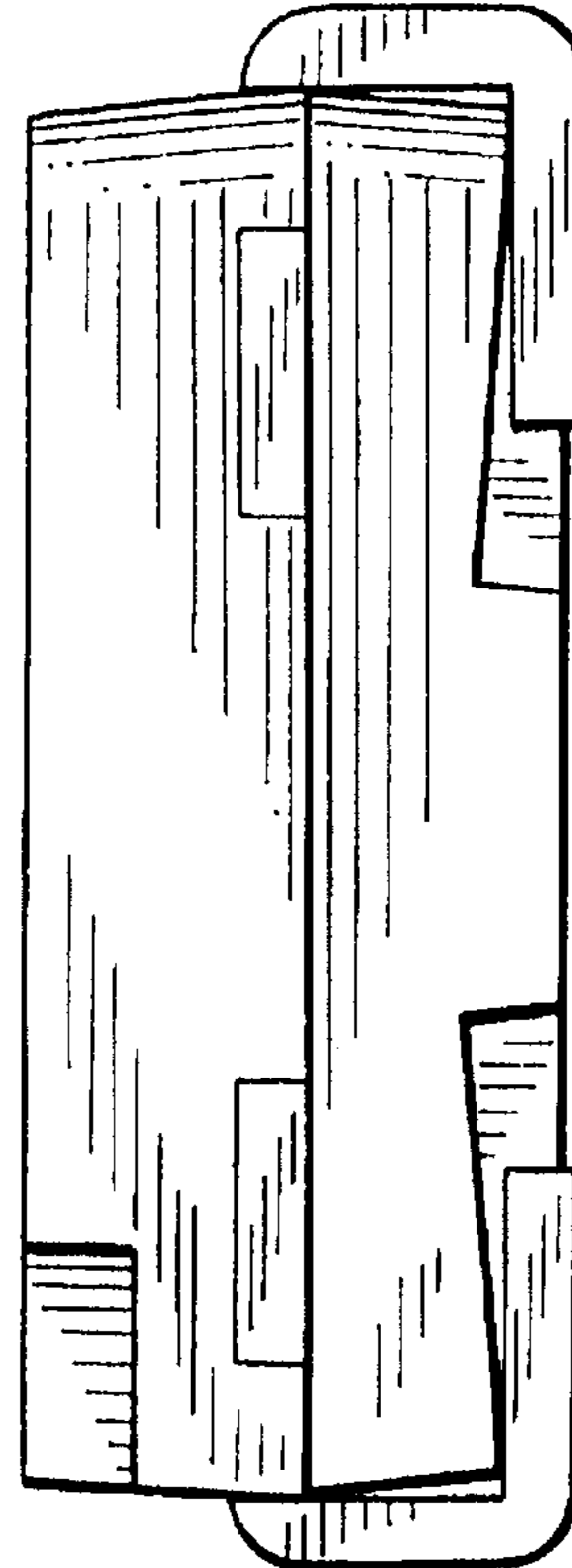


FIG. 5

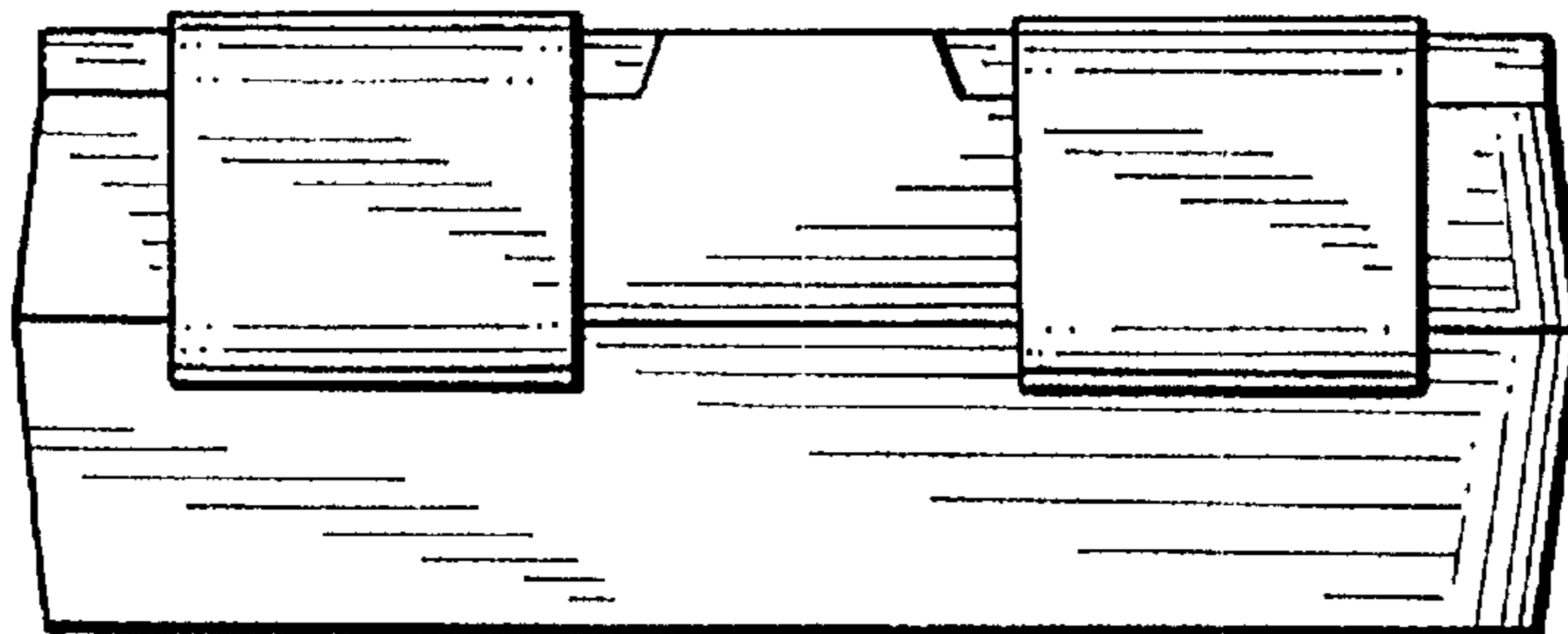


FIG. 6

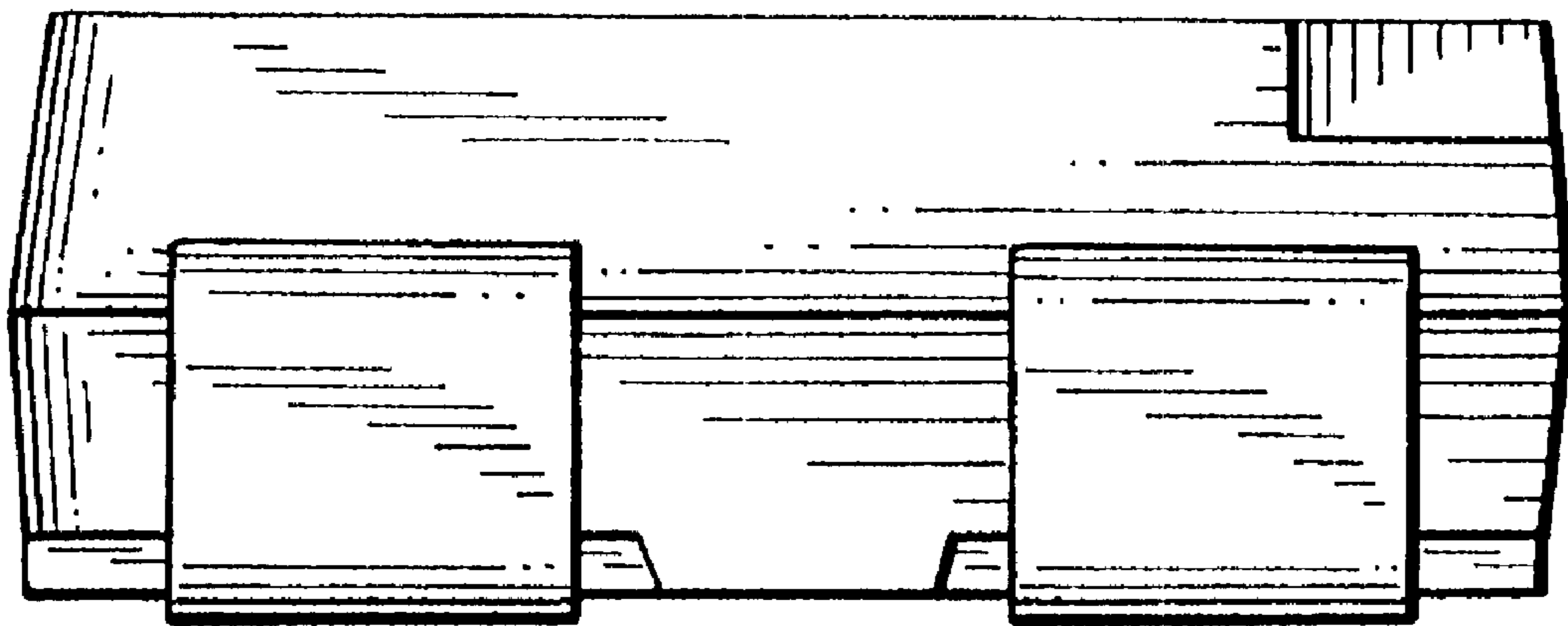


FIG. 7

UNITED STATES PATENT AND TRADEMARK OFFICE
CERTIFICATE OF CORRECTION

PATENT NO. : Des. 495,304 S
APPLICATION NO. : 29/196061
DATED : August 31, 2004
INVENTOR(S) : Kim et al.

Page 1 of 1

It is certified that error appears in the above-identified patent and that said Letters Patent is hereby corrected as shown below:

On the title page: Item [56], References Cited, add the following:

-- FOREIGN PATENT DOCUMENTS
KR 30-0294490-7 02/2003 --

Signed and Sealed this

Fourth Day of September, 2007

A handwritten signature in black ink on a light gray dotted background. The signature reads "Jon W. Dudas" in a cursive style.

JON W. DUDAS

Director of the United States Patent and Trademark Office