



US00D495302S1

(12) **United States Design Patent**  
**Fujita et al.**

(10) **Patent No.:** **US D495,302 S**  
(45) **Date of Patent:** **\*\* Aug. 31, 2004**

(54) **PHOTOELECTRIC SWITCH**

(75) Inventors: **Kizuku Fujita**, Kyoto (JP); **Toshinori Sato**, Kyoto (JP); **Shinichiro Iura**, Kyoto (JP); **Yoshinori Kawai**, Kyoto (JP)

(73) Assignee: **Omron Corporation**, Kyoto (JP)

(\*\*) Term: **14 Years**

(21) Appl. No.: **29/174,328**

(22) Filed: **Jan. 16, 2003**

(30) **Foreign Application Priority Data**

Aug. 30, 2002 (JP) ..... 2002-023442

(51) **LOC (7) Cl.** ..... **13-03**

(52) **U.S. Cl.** ..... **D13/165**

(58) **Field of Search** ..... D13/158, 165,  
D13/169, 171, 174; 250/201.1, 206, 221,  
239, 222.1

(56) **References Cited**

**U.S. PATENT DOCUMENTS**

D313,397 S \* 1/1991 Willcox ..... D13/158  
5,003,169 A \* 3/1991 Sakaguchi et al. .... 250/221  
5,900,622 A \* 5/1999 Ogura et al. .... 250/208.1  
D453,147 S \* 1/2002 Sato et al. .... D13/165

\* cited by examiner

*Primary Examiner*—Philip S. Hyder

*Assistant Examiner*—Selina Sikder

(74) *Attorney, Agent, or Firm*—Dickstein Shapiro; Morin & Oskinsky LLP

(57) **CLAIM**

The ornamental design for a photoelectric switch, as shown and described.

**DESCRIPTION**

FIG. 1 is a front view showing our new design for a photoelectric switch;

FIG. 2 is a rear view of the photoelectric switch of FIG. 1;

FIG. 3 is a plan view of the photoelectric switch of FIG. 1;

FIG. 4 is a bottom view of the photoelectric switch of FIG. 1;

FIG. 5 is a right side view of the photoelectric switch of FIG. 1;

FIG. 6 is a left side view of the photoelectric switch of FIG. 1;

FIG. 7 is an enlarged perspective view of the claimed portion of the photoelectric switch of FIG. 1;

FIG. 8 is an enlarged plan view of the portion of the photoelectric switch in the box labeled 8 of FIG. 3;

FIG. 9 is an enlarged front view of the photoelectric switch of FIG. 1 with the cover closed;

FIG. 10 is an enlarged plan view of the photoelectric switch of FIG. 1 with the cover closed;

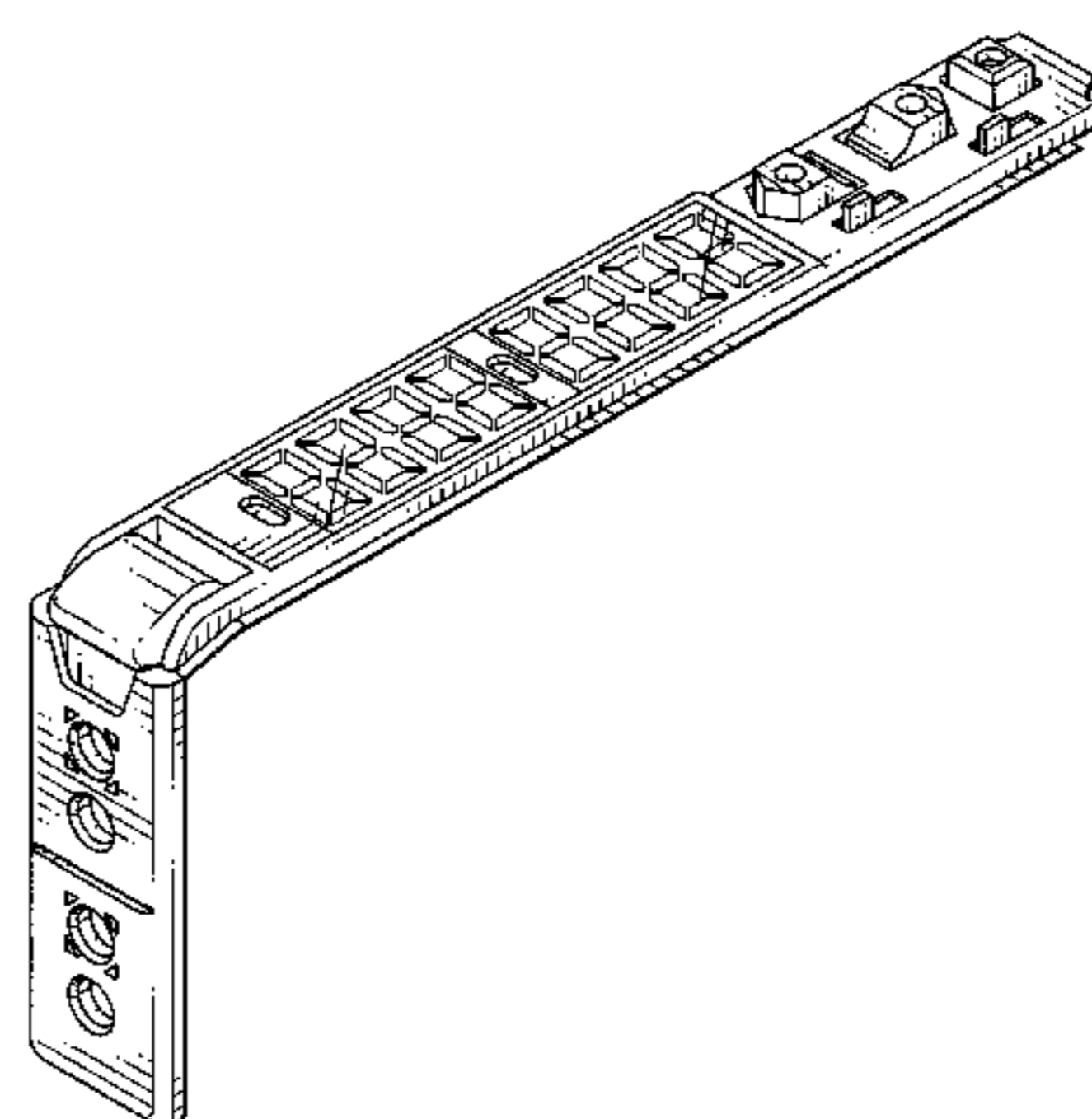
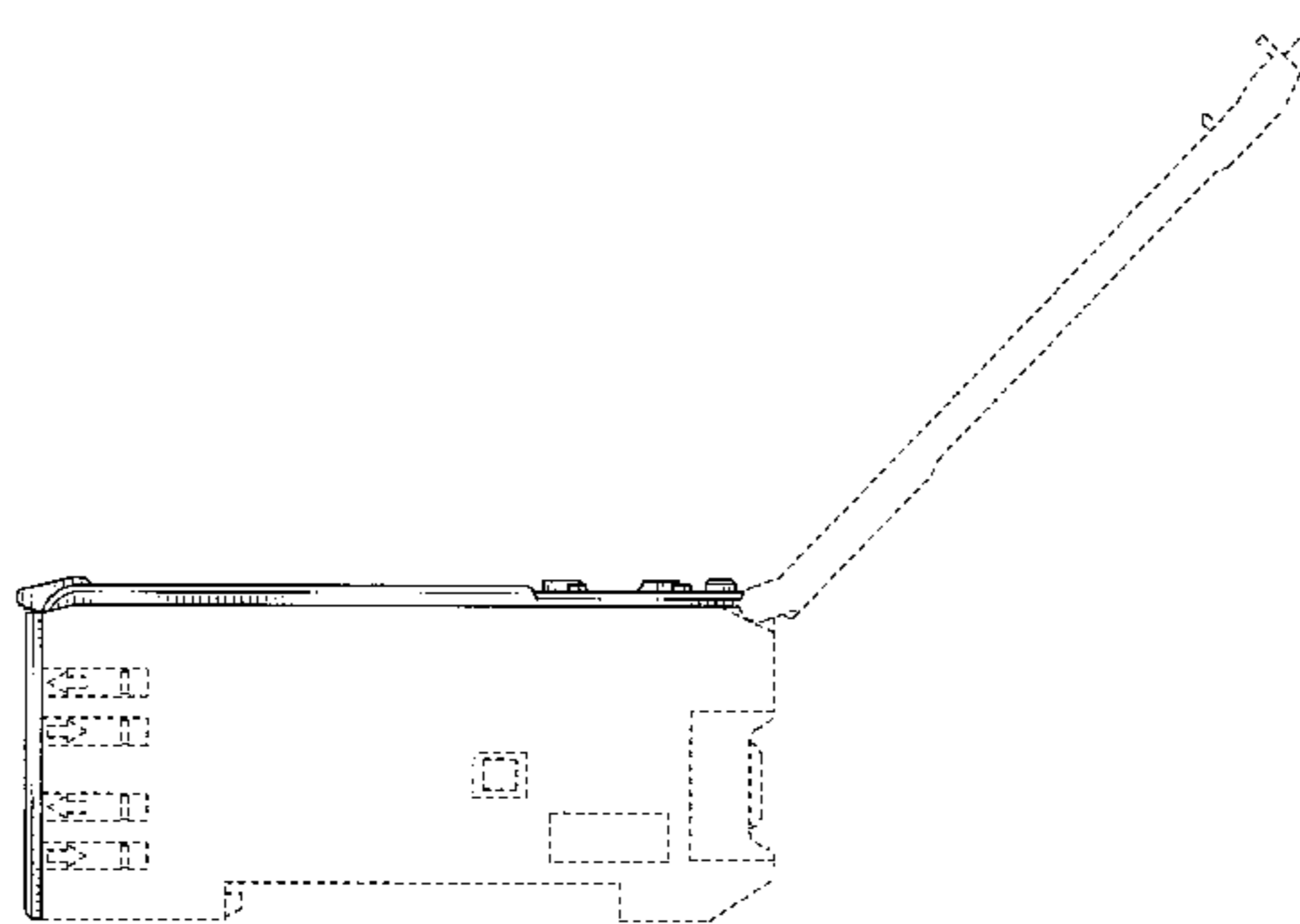
FIG. 11 is an enlarged bottom view of the photoelectric switch of FIG. 1 with the cover closed;

FIG. 12 is an enlarged right side view of the photoelectric switch of FIG. 1 with the cover closed; and,

FIG. 13 is an enlarged left side view of the photoelectric switch of FIG. 1 with the cover closed.

The broken lines represent environmental structure which is not a part of the claimed design.

**1 Claim, 9 Drawing Sheets**



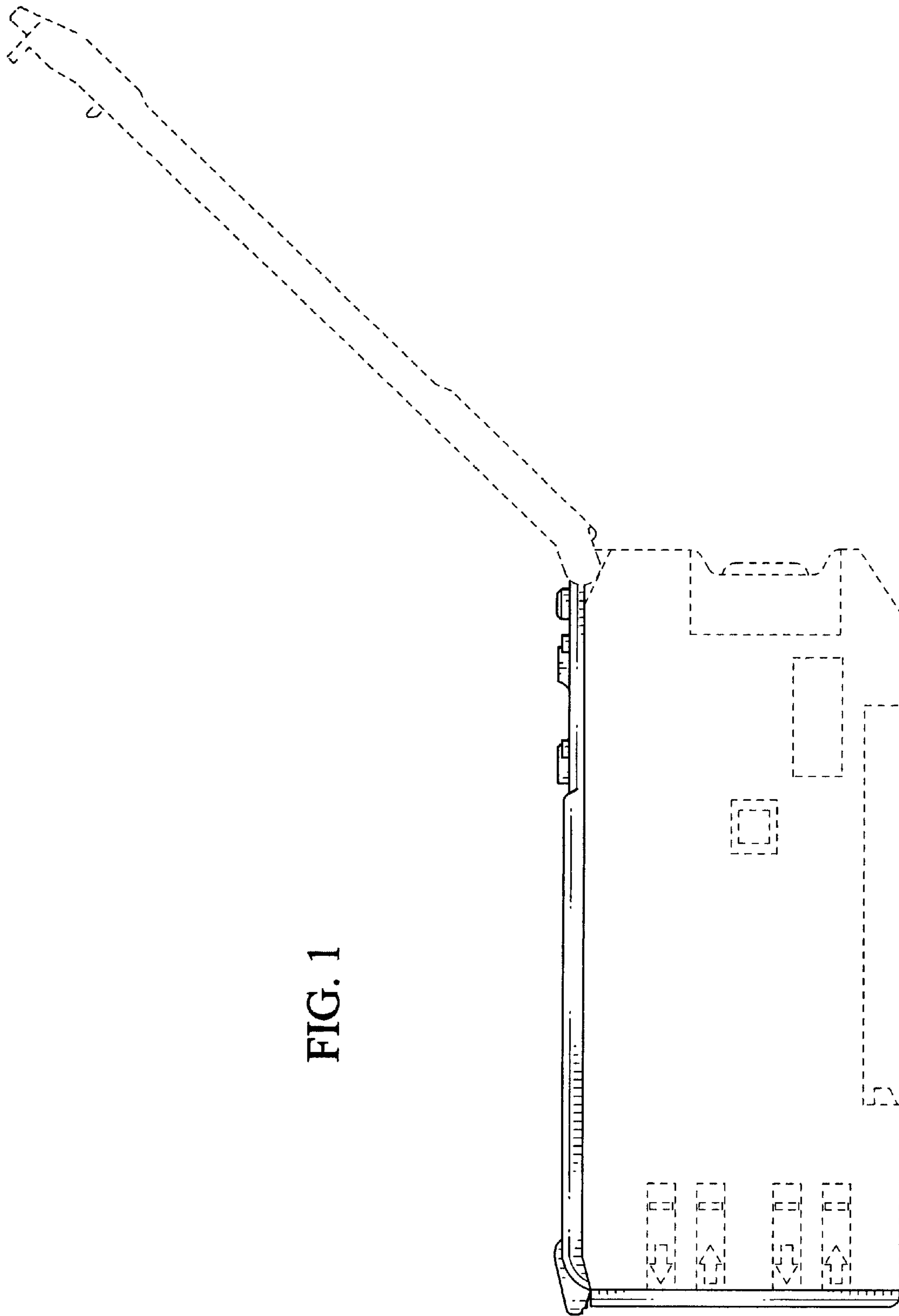


FIG. 1

FIG. 2

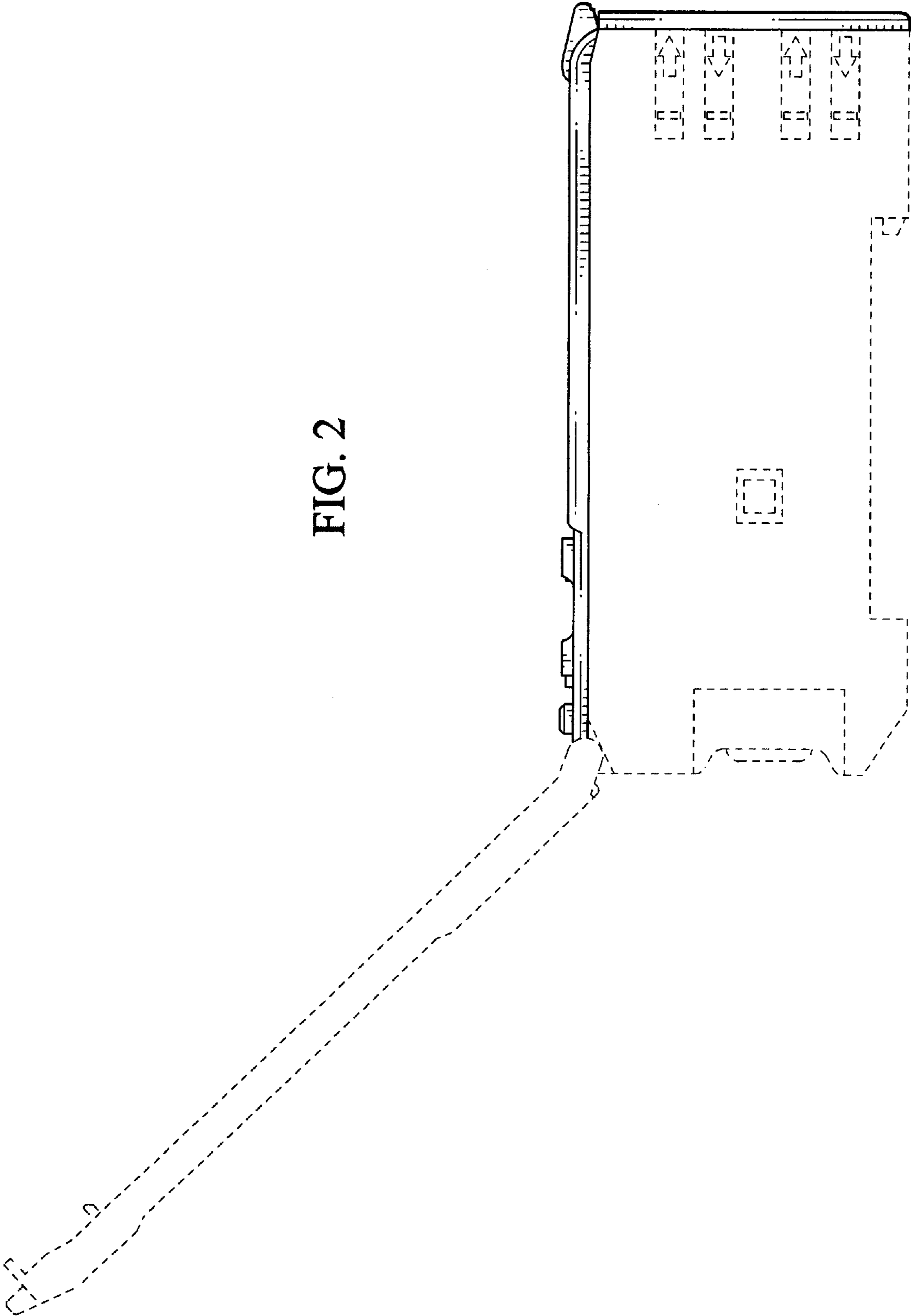


FIG. 3

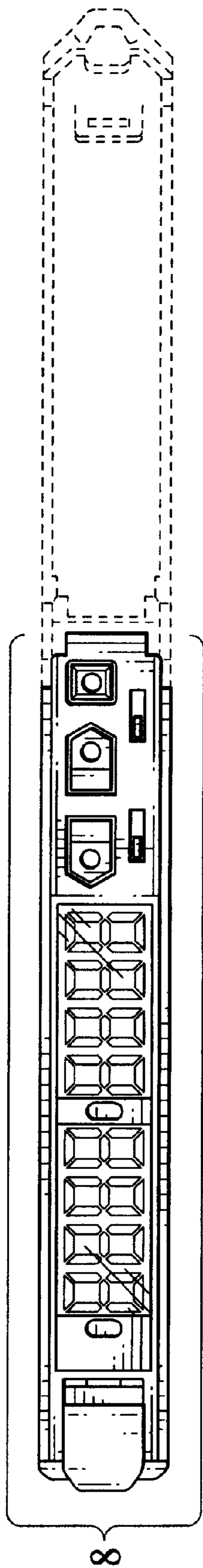


FIG. 4

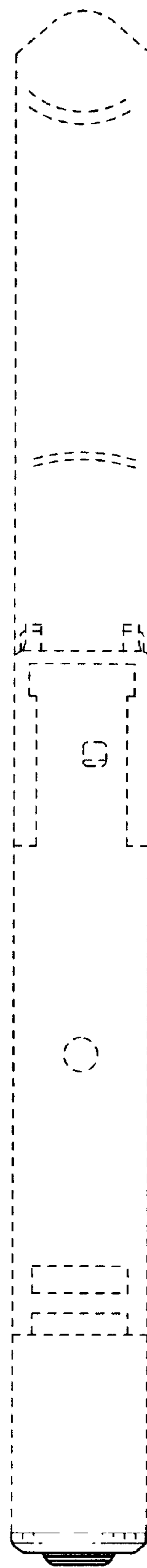


FIG. 5

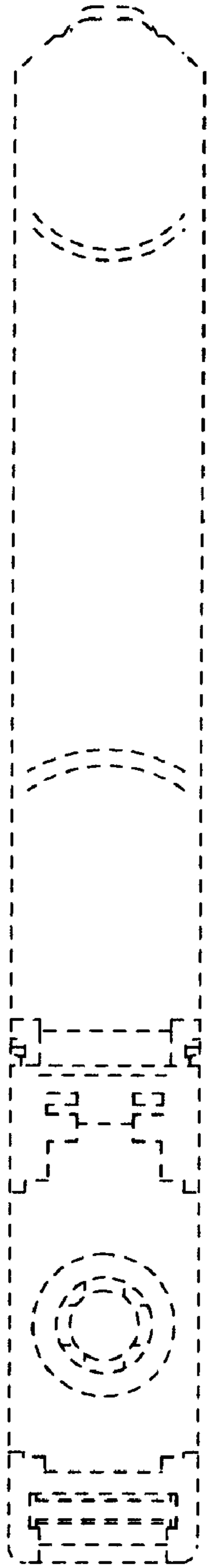
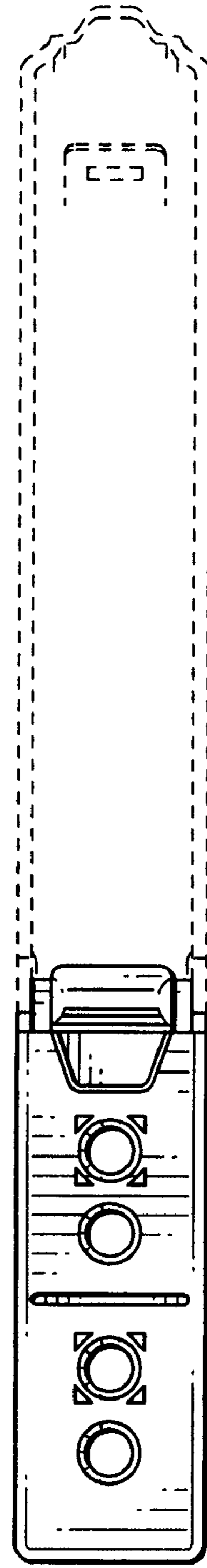


FIG. 6



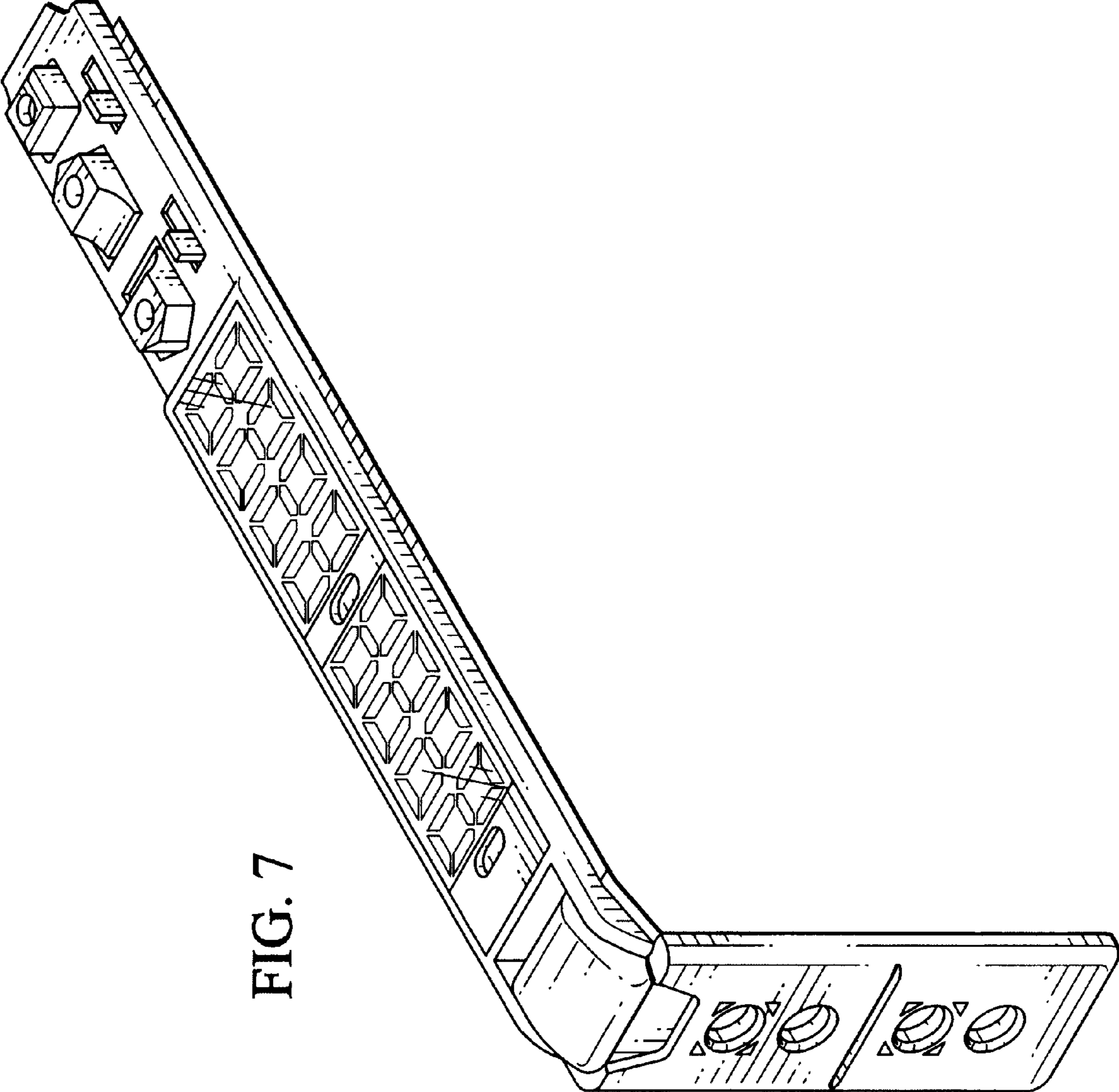


FIG. 7

FIG. 8

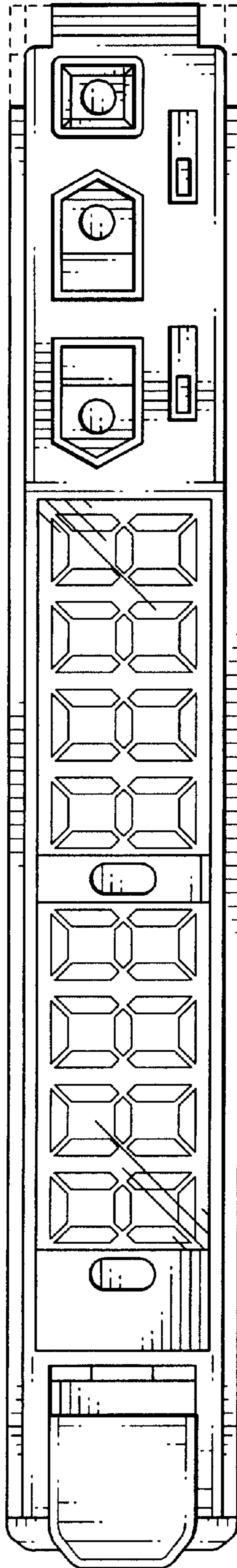


FIG. 9

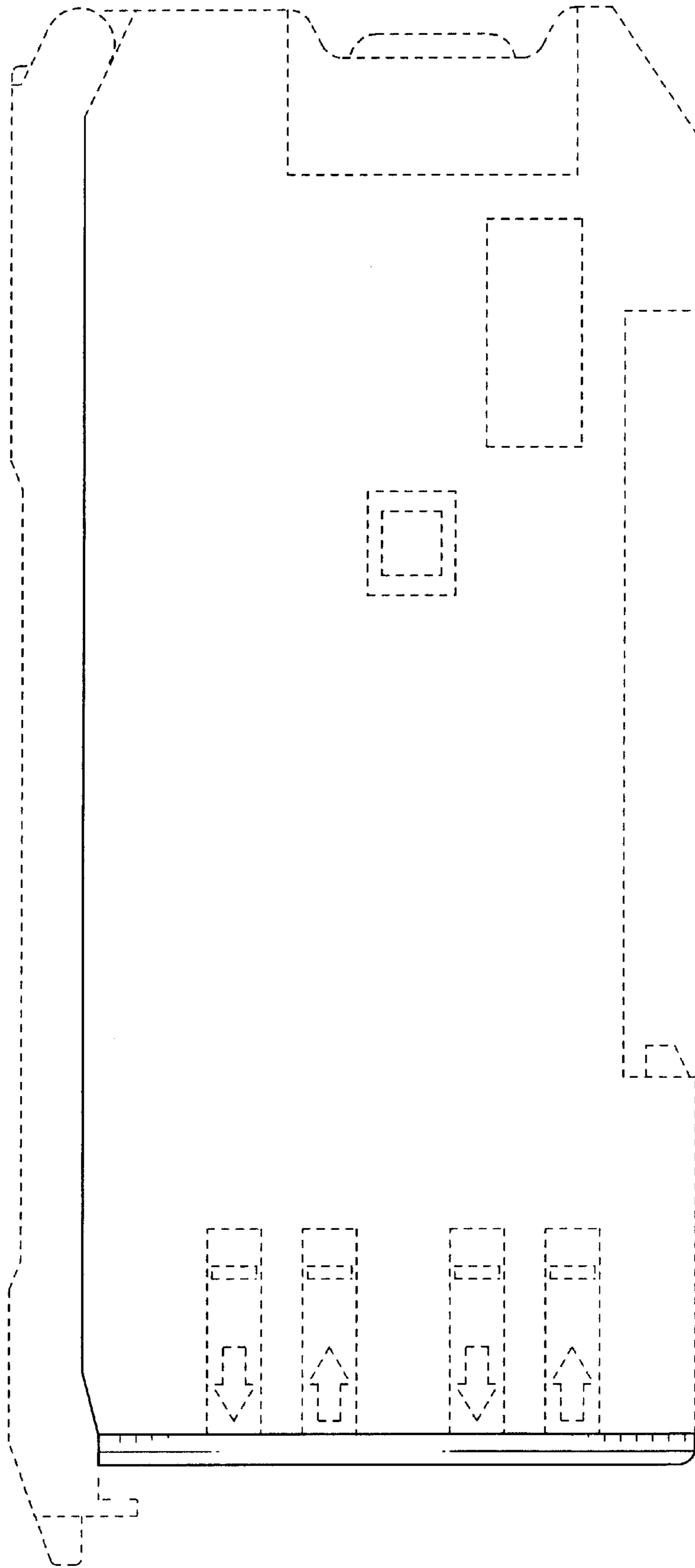




FIG. 10

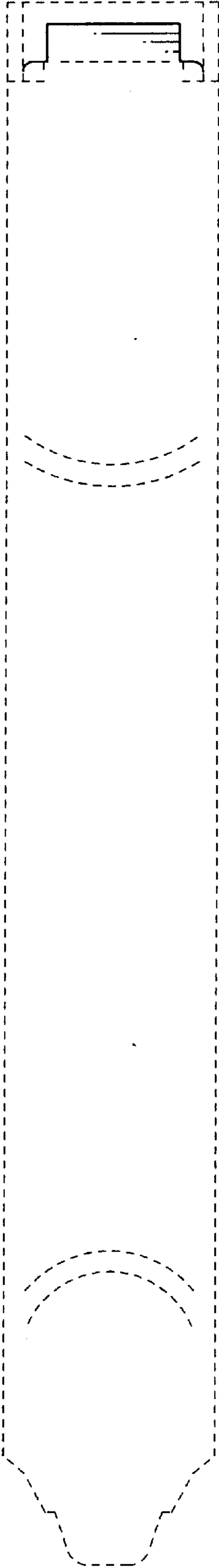


FIG. 11



FIG. 13

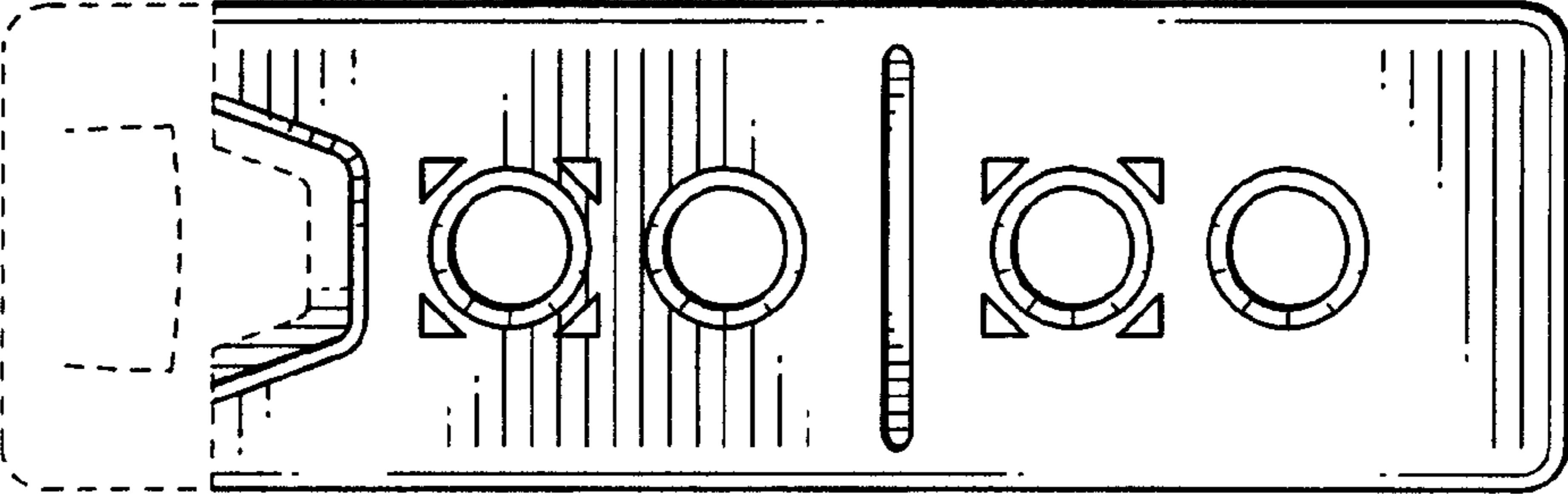


FIG. 12

