

US00D495300S1

(12) **United States Design Patent**
Huang

(10) **Patent No.:** **US D495,300 S**

(45) **Date of Patent:** **** Aug. 31, 2004**

(54) **CONNECTOR**

D468,693 S * 1/2003 Kuo D13/147
6,688,903 B2 * 2/2004 Kakinoki et al. 439/362

(76) **Inventor:** **George Ying-Liang Huang**, 8F, No.
435, Rei-Kuang Rd, Nei-Hu Dist, Taipei
City (TW)

* cited by examiner

(**) **Term:** **14 Years**

Primary Examiner—Prabhakar Deshmukh
Assistant Examiner—Selina Sikder
(74) *Attorney, Agent, or Firm*—Frommer Lawrence &
Haug, LLP; Ronald R. Santucci

(21) **Appl. No.:** **29/195,618**

(22) **Filed:** **Dec. 15, 2003**

(57) **CLAIM**

(51) **LOC (7) Cl.** **13-03**

The ornamental design for connector, as shown and described.

(52) **U.S. Cl.** **D13/147**

(58) **Field of Search** D13/133, 146,
D13/147; D14/256, 433; 361/119, 818;
439/246, 247, 345, 357, 358, 352, 359,
362, 368, 488–491, 465, 573, 606–608,
610, 638, 654, 660, 676

DESCRIPTION

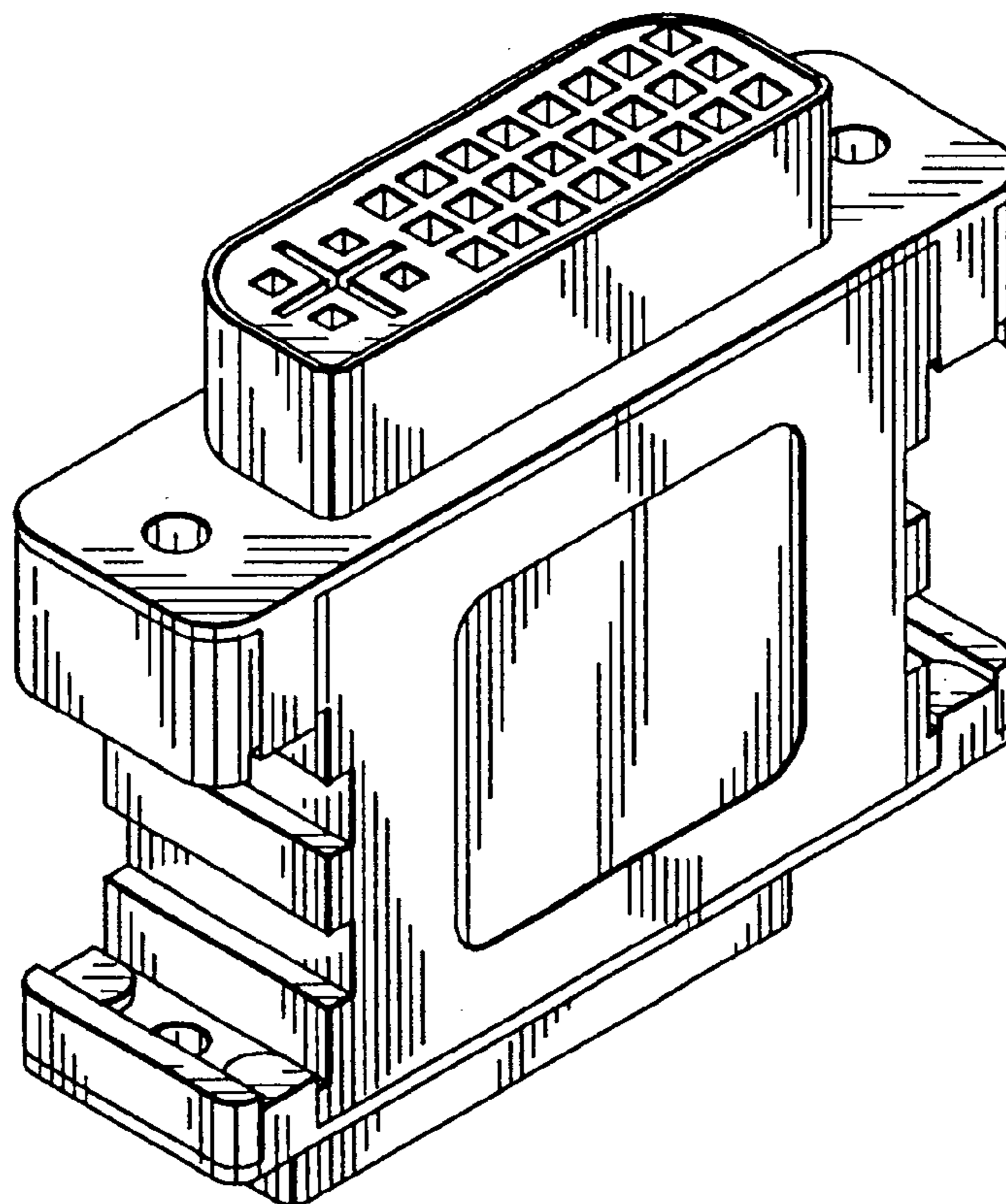
(56) **References Cited**

U.S. PATENT DOCUMENTS

4,862,311 A * 8/1989 Rust et al. 361/119
D319,431 S * 8/1991 Constien D13/184
D333,460 S * 2/1993 Huang D13/147
D388,768 S * 1/1998 Cheng D13/147
6,287,148 B1 * 9/2001 Huang 439/610
6,343,957 B1 * 2/2002 Kuo et al. 439/638
6,439,916 B1 * 8/2002 Kuo 439/362

FIG. 1 is a perspective view of connector showing my new design;
FIG. 2 is a front elevational view thereof;
FIG. 3 is a rear elevational view thereof;
FIG. 4 is a left side elevational view thereof;
FIG. 5 is a right side elevational view thereof;
FIG. 6 is a top plan view thereof;
FIG. 7 is a bottom plan view thereof; and,
FIG. 8 is another perspective view in use wherein the broken line showing of the environment is for illustrative purpose only and forms no part of the claimed design.

1 Claim, 5 Drawing Sheets



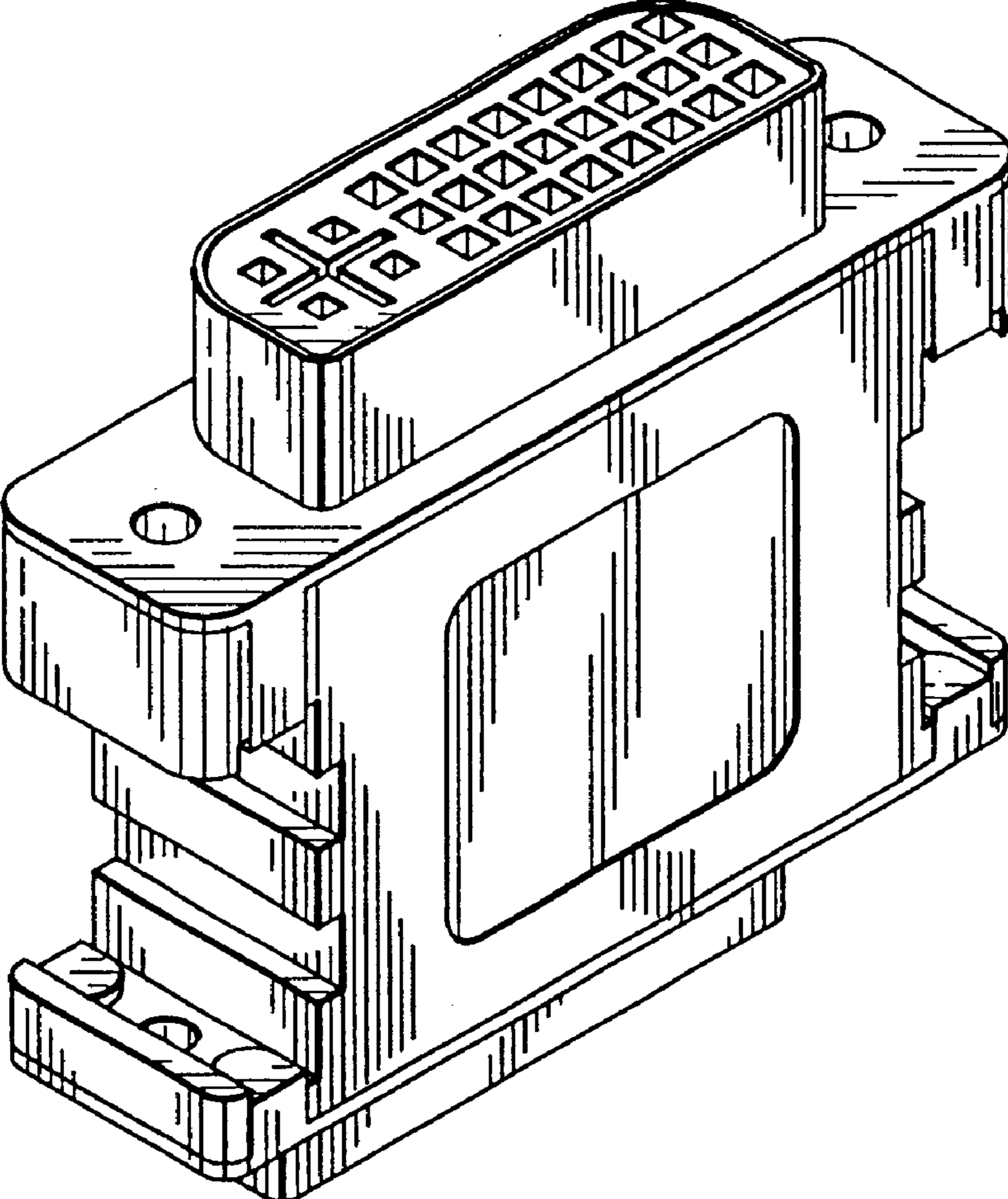


FIG. 1

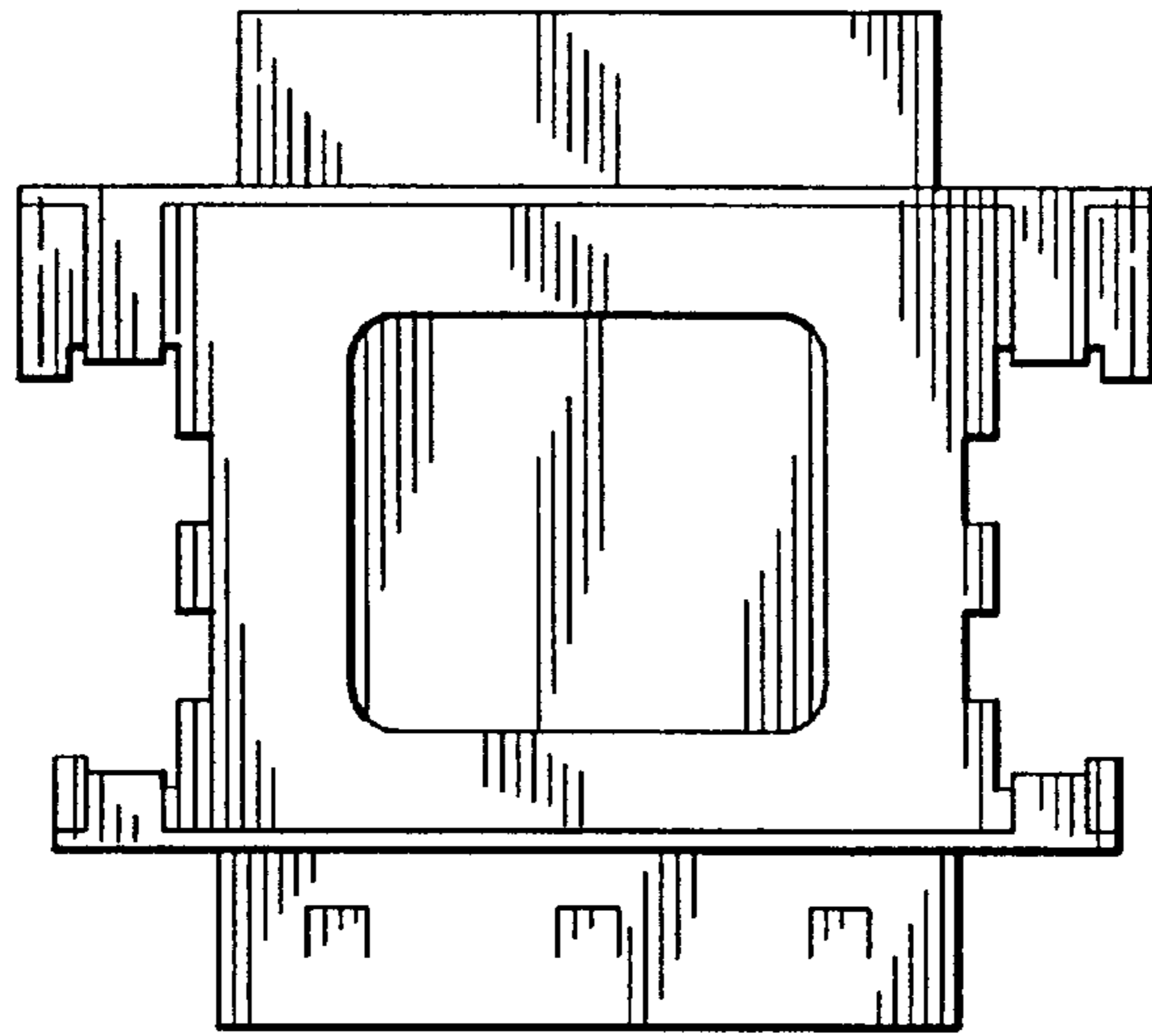


FIG. 2

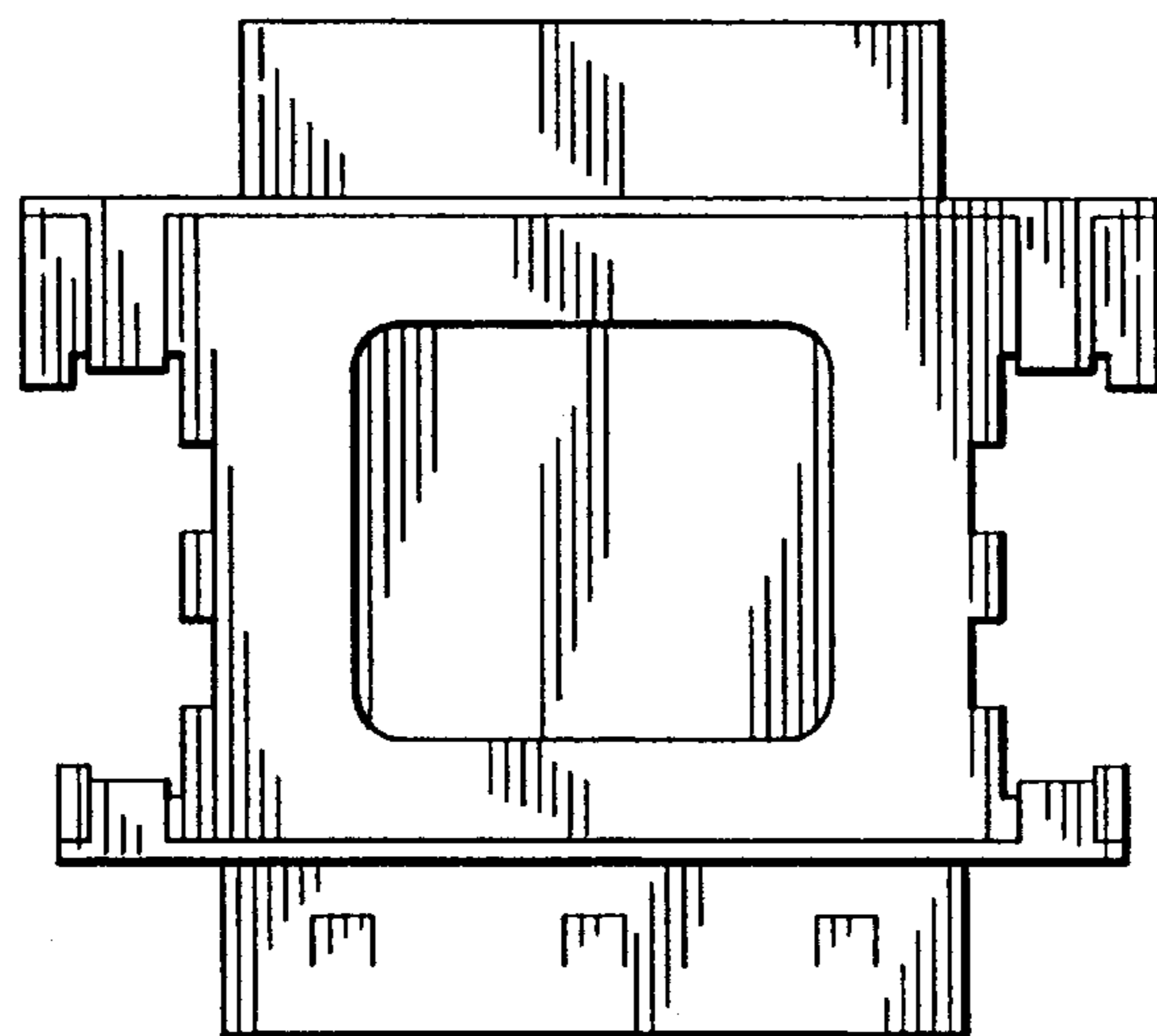


FIG. 3

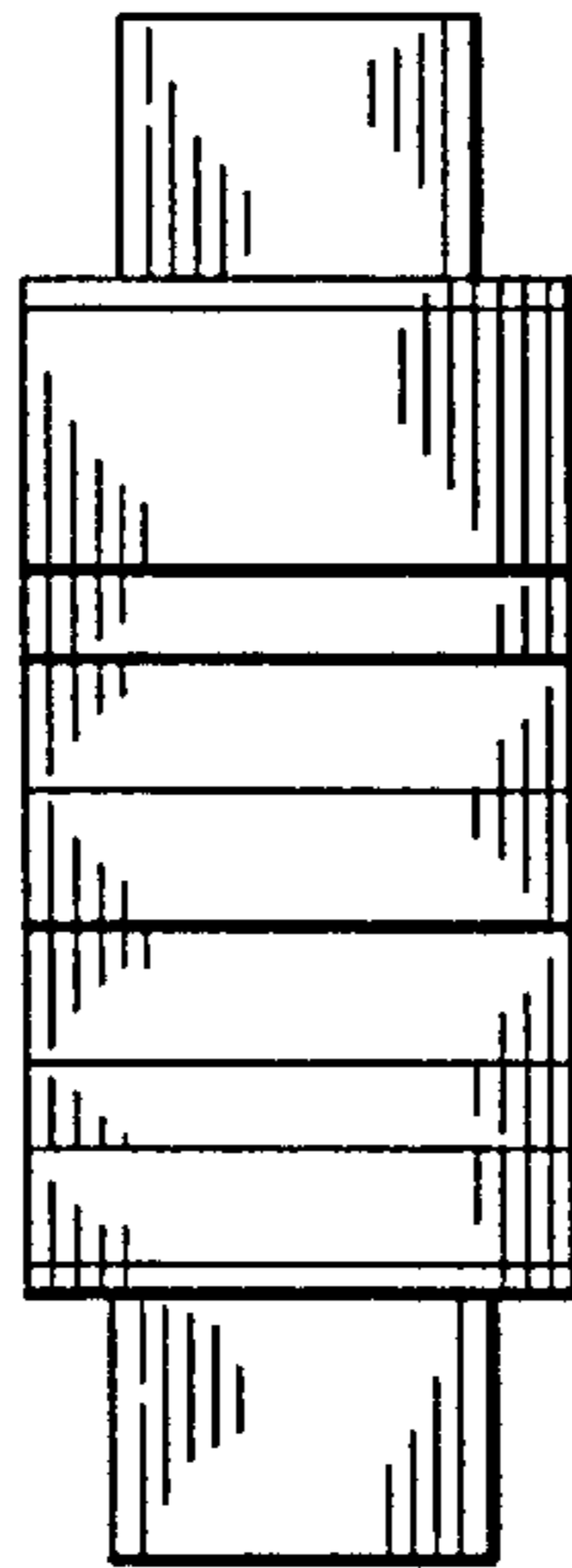


FIG. 4

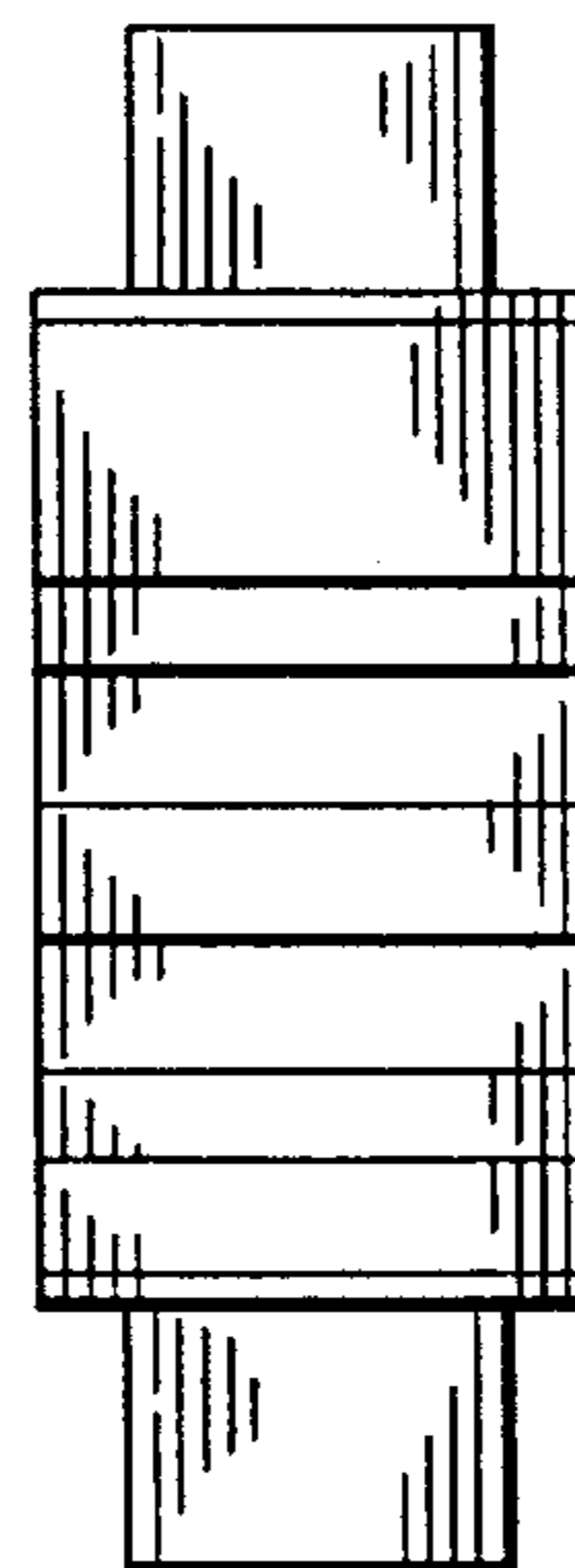


FIG. 5

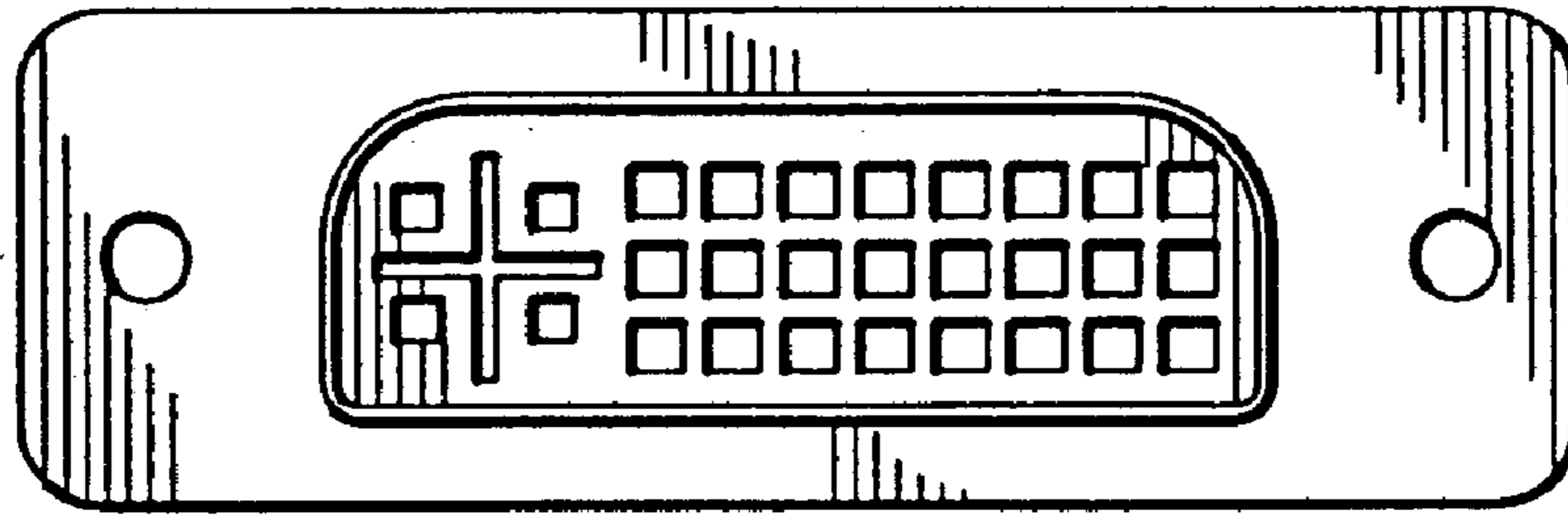


FIG. 6

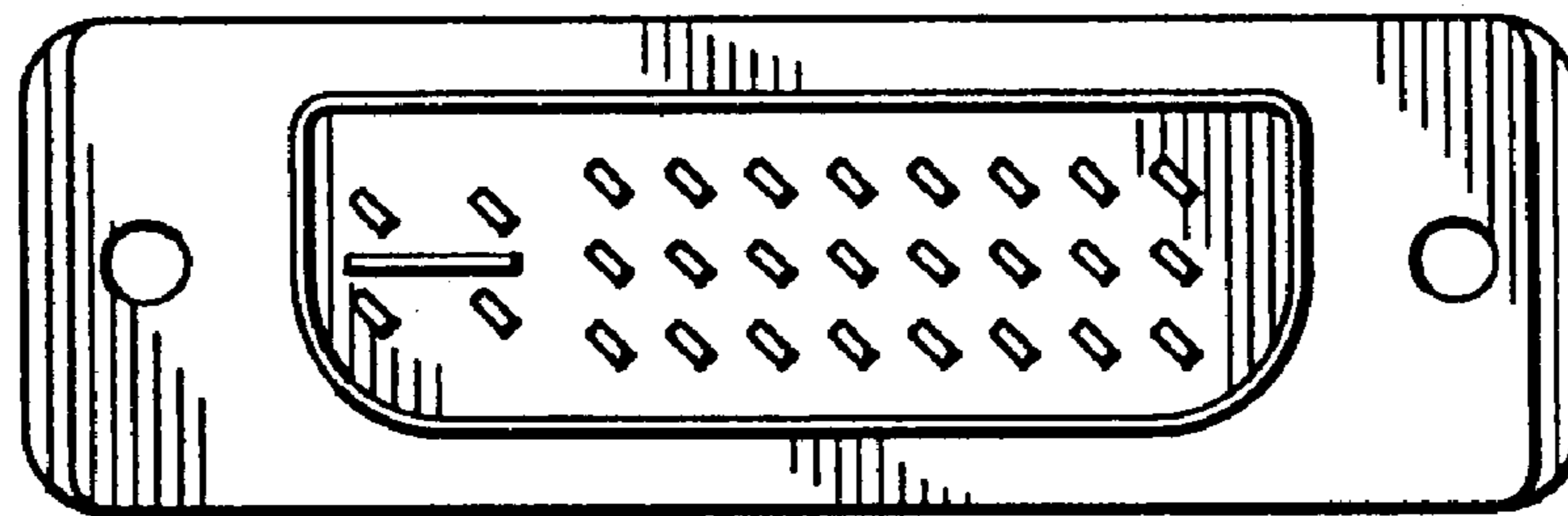
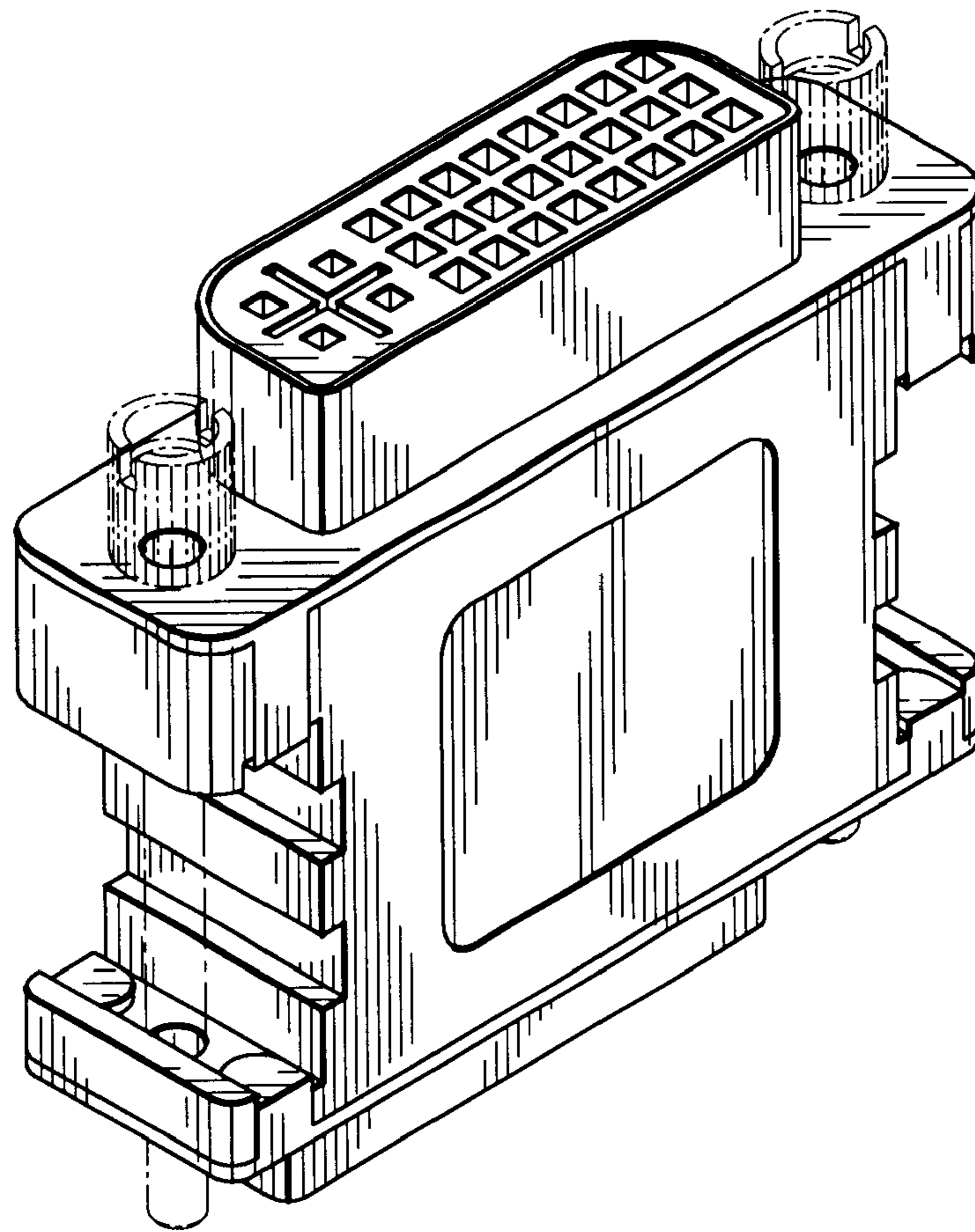


FIG. 7



F I G. 8