

US00D495289S1

(12) **United States Design Patent**  
**Kataoka**

(10) **Patent No.:** **US D495,289 S**

(45) **Date of Patent:** **\*\* Aug. 31, 2004**

(54) **WHEEL**

(75) **Inventor:** **Tatsuya Kataoka, Ota (JP)**

(73) **Assignee:** **Y. Kataoka Corporation, Torrance, CA (US)**

(\*\*) **Term:** **14 Years**

(21) **Appl. No.:** **29/197,035**

(22) **Filed:** **Jan. 9, 2004**

(51) **LOC (7) Cl.** ..... **12-16**

(52) **U.S. Cl.** ..... **D12/211**

(58) **Field of Search** ..... D12/204–213;  
301/37.101, 64.101, 65

D451,463 S	*	12/2001	Murkett et al.	.....	D12/209
D456,333 S	*	4/2002	Pollmann	.....	D12/211
D459,688 S	*	7/2002	Wiesinger	.....	D12/211
D459,689 S	*	7/2002	Hieke	.....	D12/211
D466,854 S	*	12/2002	Kern	.....	D12/211
D469,049 S		1/2003	Kataoka	.....	D12/209
D469,728 S		2/2003	Kataoka	.....	D12/209
D481,342 S		10/2003	Se Kang	.....	D12/209
D481,343 S		10/2003	Se Kang	.....	D12/209
D481,347 S		10/2003	Se Kang	.....	D12/211
D481,348 S		10/2003	Se Kang	.....	D12/211
D486,437 S	*	2/2004	Hieke	.....	D12/211
D487,418 S	*	3/2004	Hieke	.....	D12/211

\* cited by examiner

*Primary Examiner*—Stacia Cadmus

(74) *Attorney, Agent, or Firm*—Park & Sutton LLP; John K. Park

(56) **References Cited**

**U.S. PATENT DOCUMENTS**

D275,665 S	*	9/1984	de Vries	.....	D12/211
D392,611 S	*	3/1998	Echazabal et al.	.....	D12/211
D403,289 S		12/1998	Watanabe	.....	D12/209
D409,552 S	*	5/1999	Chung	.....	D12/211
D418,794 S		1/2000	Chung	.....	D12/209
D423,442 S		4/2000	Hussaini et al.	.....	D12/209
D427,130 S	*	6/2000	Johnson	.....	D12/211
D429,681 S	*	8/2000	Cullen	.....	D12/211
D433,373 S		11/2000	Hussaini et al.	.....	D12/209
D433,375 S		11/2000	Fitzgerald	.....	D12/209
D447,993 S	*	9/2001	Neeper	.....	D12/211

(57) **CLAIM**

The ornamental design for a wheel, as shown and described.

**DESCRIPTION**

FIG. 1 is a perspective view of a wheel showing my new design; and,

FIG. 2 is a front elevational view of FIG. 1.

The broken line showing of environment is for illustrative purposes only and forms no part of the claimed design.

**1 Claim, 2 Drawing Sheets**

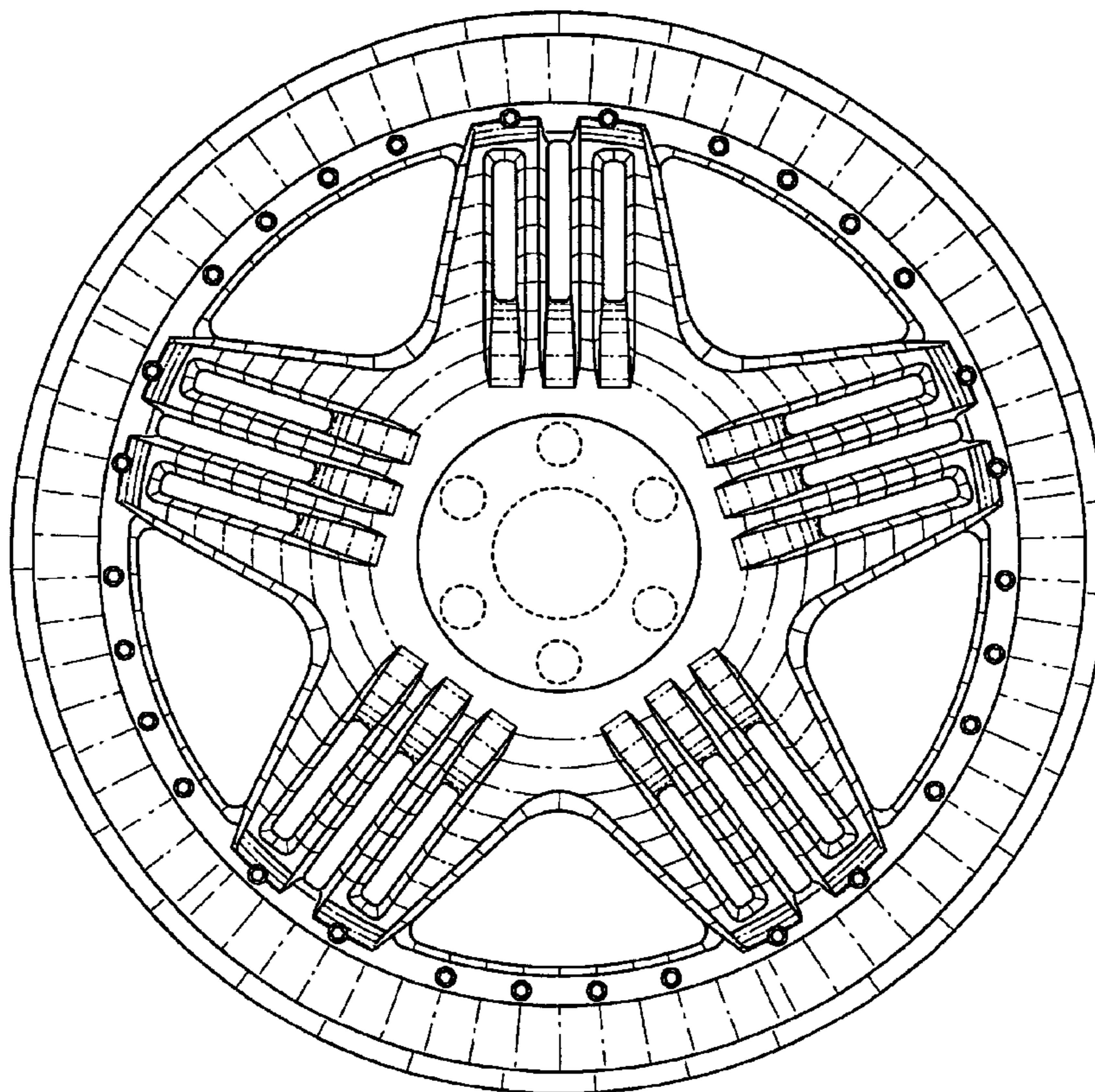


FIG. 1

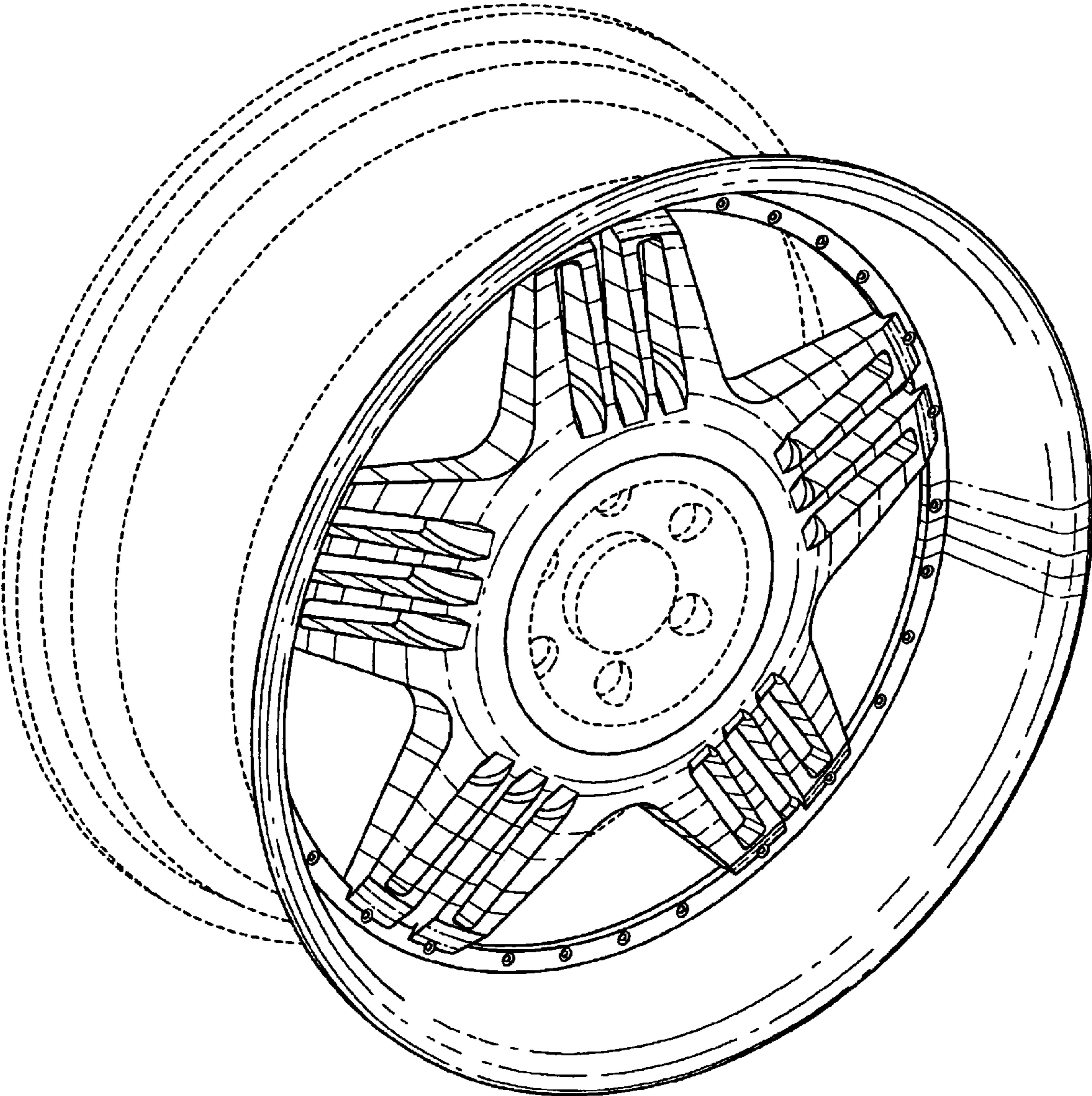


FIG. 2

