



US00D495287S1

(12) **United States Design Patent**
Wang

(10) **Patent No.:** **US D495,287 S**

(45) **Date of Patent:** **** Aug. 31, 2004**

(54) **DISK WHEEL COVER**

(76) **Inventor:** **Chu-Li Wang**, No. 149, (Room 9,
10/F.) Lin SEn Road, Sec. 1, Tainan
(TW)

(**) **Term:** **14 Years**

(21) **Appl. No.:** **29/197,890**

(22) **Filed:** **Jan. 22, 2004**

(51) **LOC (7) Cl.** **12-16**

(52) **U.S. Cl.** **D12/209**

(58) **Field of Search** D12/204-213;
301/37.101, 64.101, 65

(56) **References Cited**

U.S. PATENT DOCUMENTS

D371,761 S	*	7/1996	Abbott	D12/209
D442,531 S	*	5/2001	Brintouch	D12/204
D444,438 S	*	7/2001	Brintouch	D12/209
D444,756 S	*	7/2001	Brintouch	D12/209
D451,872 S	*	12/2001	Arellano	D12/209
D451,873 S	*	12/2001	Donikoglu	D12/209
D454,528 S	*	3/2002	Brown et al.	D12/209
D455,698 S	*	4/2002	Chung	D12/209

D461,439 S	*	8/2002	Hodges	D12/209
D464,010 S	*	10/2002	Chung	D12/211
D469,051 S	*	1/2003	Brintouch	D12/209
D471,504 S	*	3/2003	Laengerer	D12/211
D477,557 S	*	7/2003	Iacovelli et al.	D12/211

* cited by examiner

Primary Examiner—Stacia Cadmus

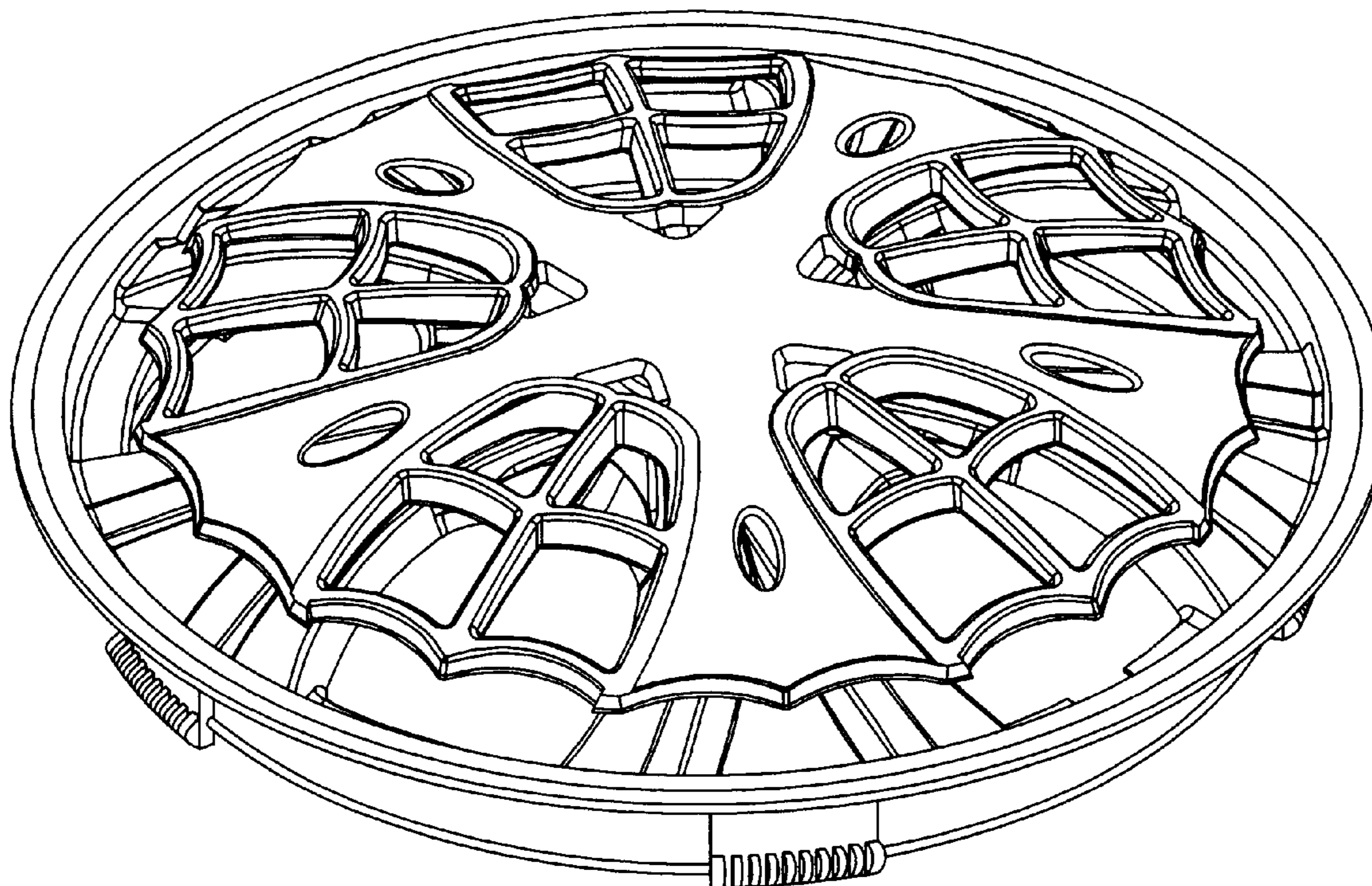
(57) **CLAIM**

The ornamental design for a disk wheel cover, as shown and described.

DESCRIPTION

FIG. 1 is a perspective view of a disk wheel cover showing my new design;
 FIG. 2 is a right side elevational view thereof;
 FIG. 3 is a top plan view thereof;
 FIG. 4 is a front elevational view thereof;
 FIG. 5 is a bottom plan view thereof;
 FIG. 6 is a left side elevational view thereof; and,
 FIG. 7 is a rear elevational view; and,
 FIG. 8 is a perspective view thereof under separation only for illustrative purposes.

1 Claim, 6 Drawing Sheets



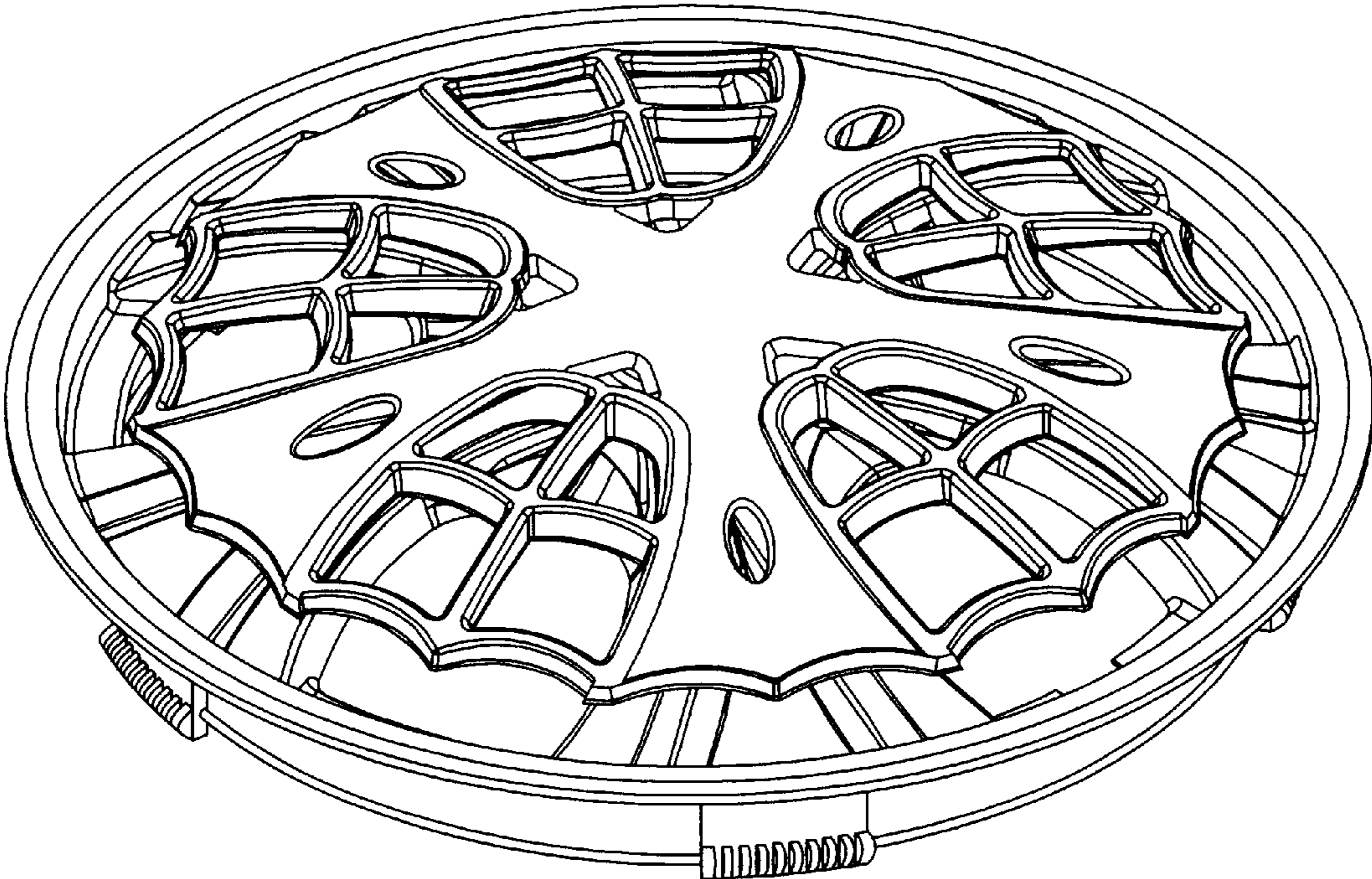


FIG. 1

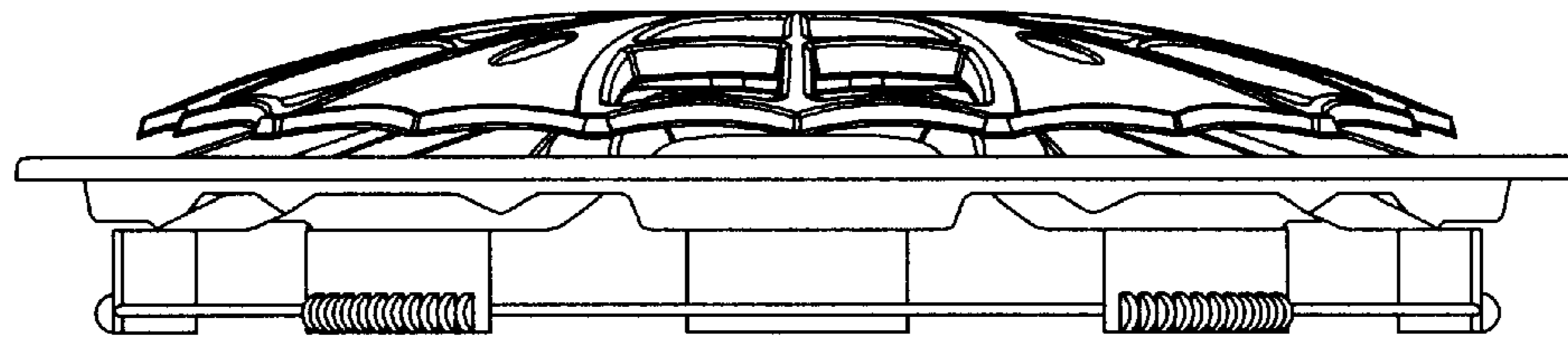


FIG. 2

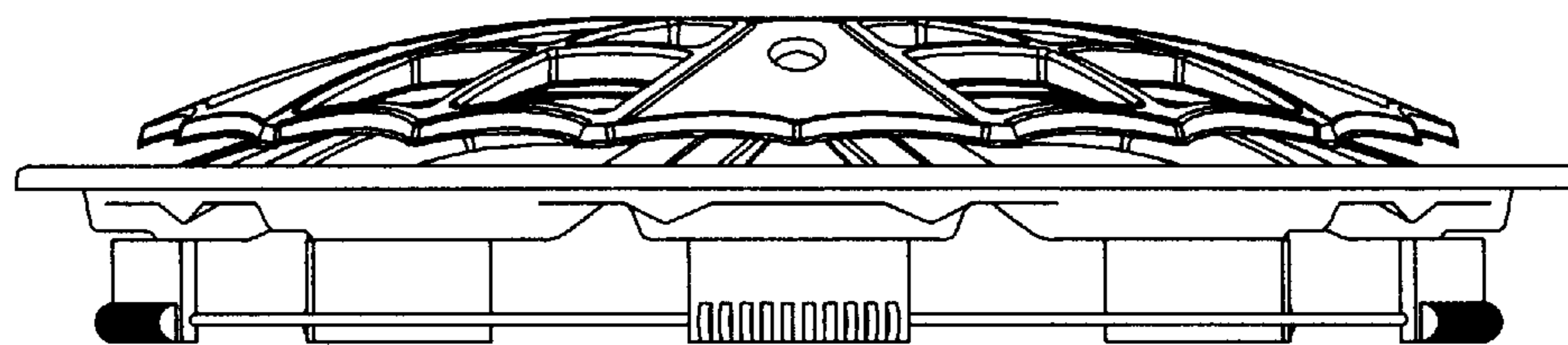


FIG. 3

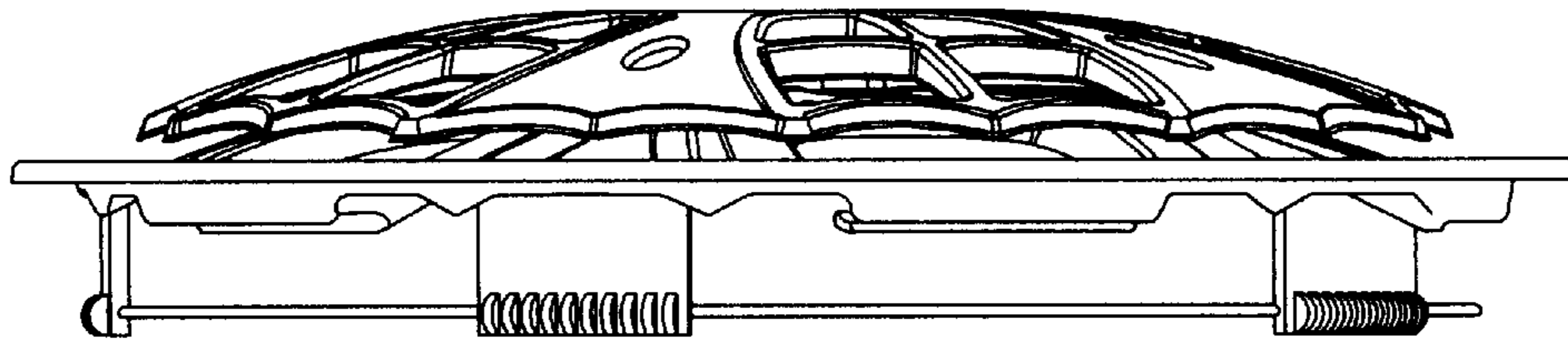


FIG. 4

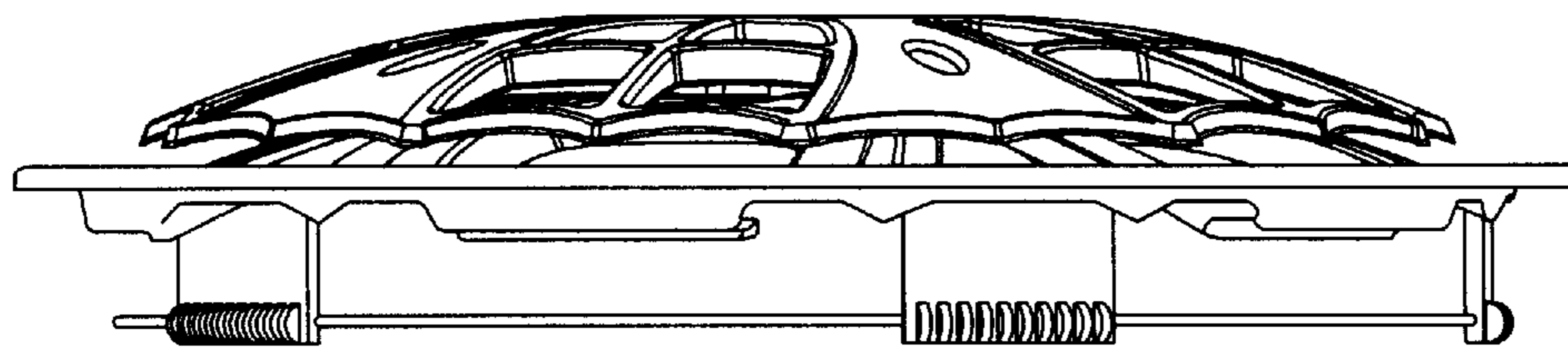


FIG. 5



FIG. 6

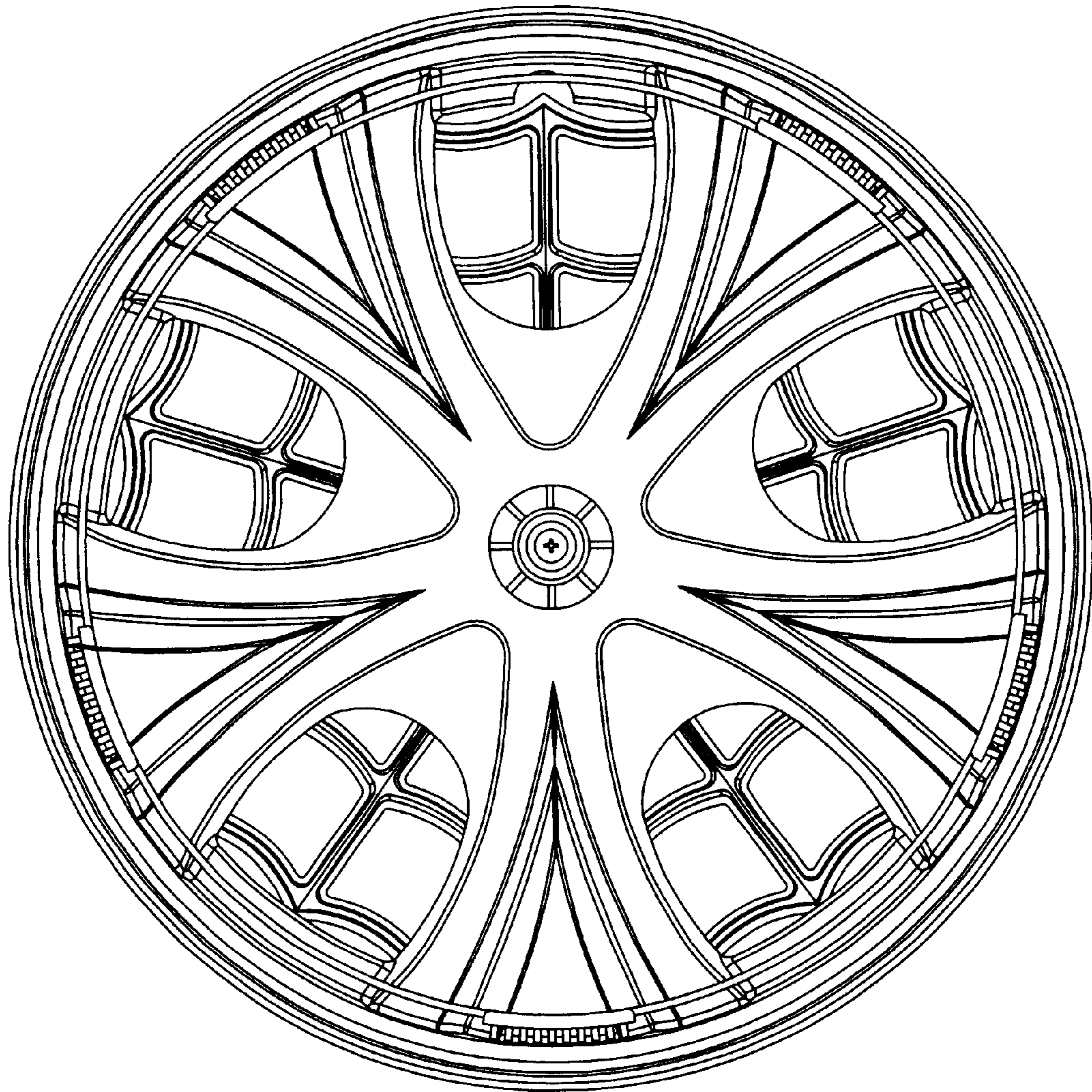


FIG. 7

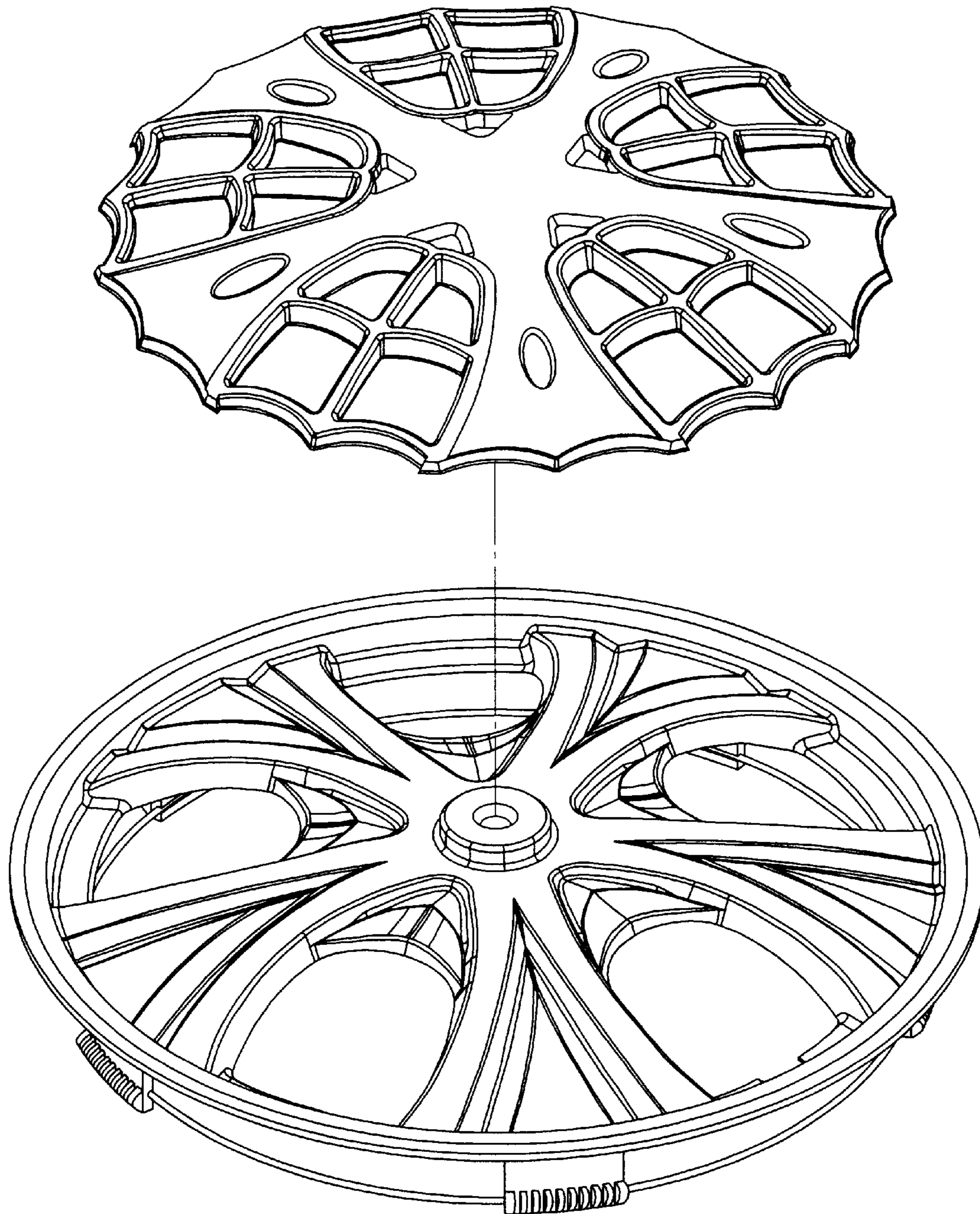


FIG. 8