

US00D495286S1

(12) **United States Design Patent**  
**Chung**

(10) **Patent No.:** **US D495,286 S**

(45) **Date of Patent:** **\*\* Aug. 31, 2004**

(54) **AUTOMOTIVE WHEEL**

(75) **Inventor:** **Suny Chung**, Yorba Linda, CA (US)

(73) **Assignee:** **MKW Alloy Inc**, City of Industry, CA (US)

(\*\*) **Term:** **14 Years**

(21) **Appl. No.:** **29/197,728**

(22) **Filed:** **Jan. 21, 2004**

(51) **LOC (7) Cl.** ..... **12-16**

(52) **U.S. Cl.** ..... **D12/209**

(58) **Field of Search** ..... D12/204-213;  
301/37.101, 64.101, 65

(56) **References Cited**

**U.S. PATENT DOCUMENTS**

D396,681 S	*	8/1998	Boyer	.....	D12/209
D403,289 S	*	12/1998	Watanabe	.....	D12/209
D407,052 S	*	3/1999	Kelley	.....	D12/209
D444,756 S	*	7/2001	Brintouch	.....	D12/209

D449,028 S	*	10/2001	Weidhase	.....	D12/209
D451,872 S	*	12/2001	Arellano	.....	D12/209
D454,528 S	*	3/2002	Brown et al.	.....	D12/209
D472,864 S	*	4/2003	Kataoka	.....	D12/209
D480,342 S	*	10/2003	Wang	.....	D12/209
D486,769 S	*	2/2004	Gallert	.....	D12/209

\* cited by examiner

*Primary Examiner*—Stacia Cadmus

(57) **CLAIM**

The ornamental design for an automotive wheel, as shown and described.

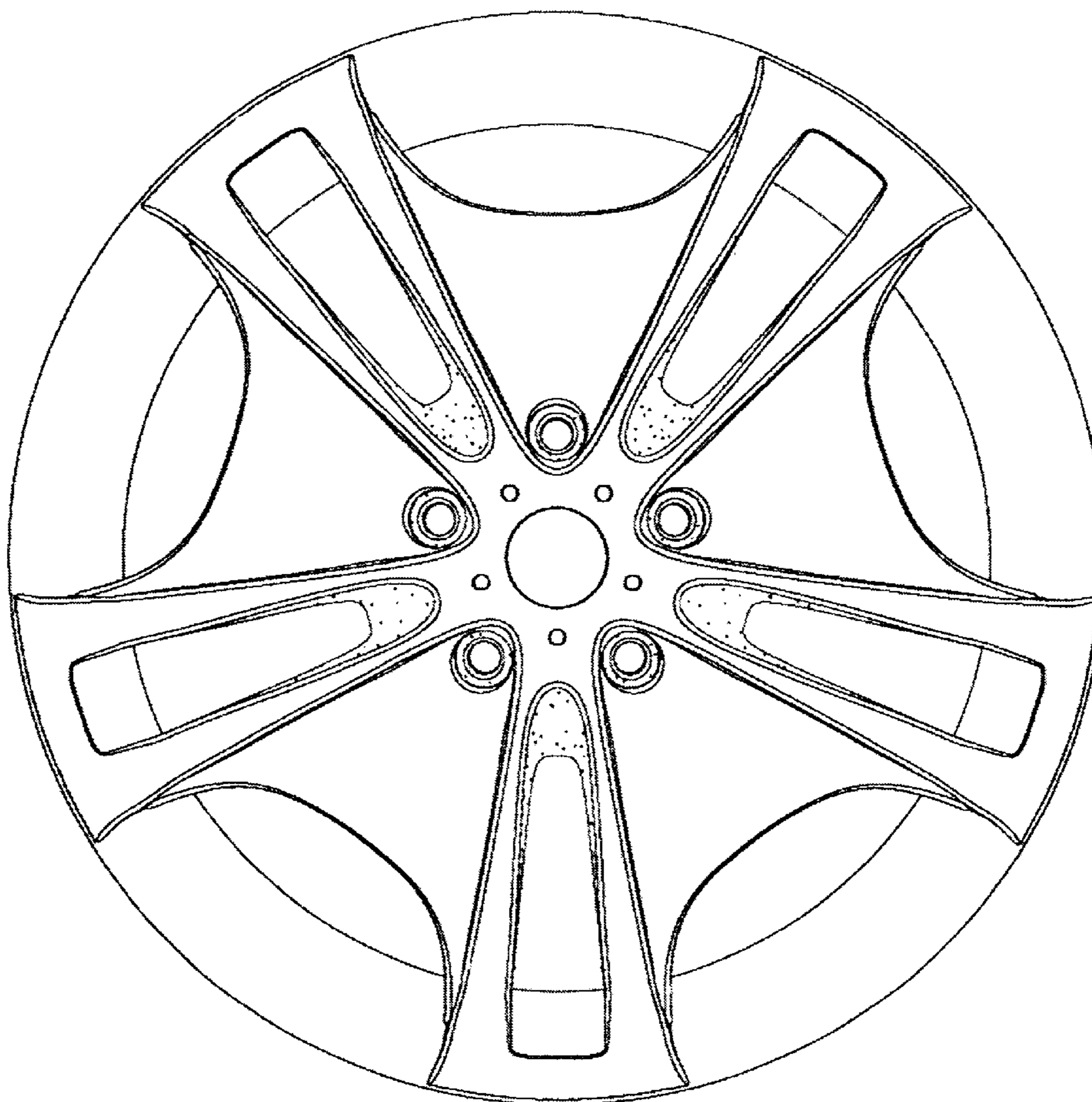
**DESCRIPTION**

FIG. 1 is an oblique view of the automotive wheel of the instant invention; and,

FIG. 2 is a front elevation view of the automotive wheel of the instant invention.

The broken line showing of environment is for illustrative purposed and forms no part of the claimed design.

**1 Claim, 2 Drawing Sheets**



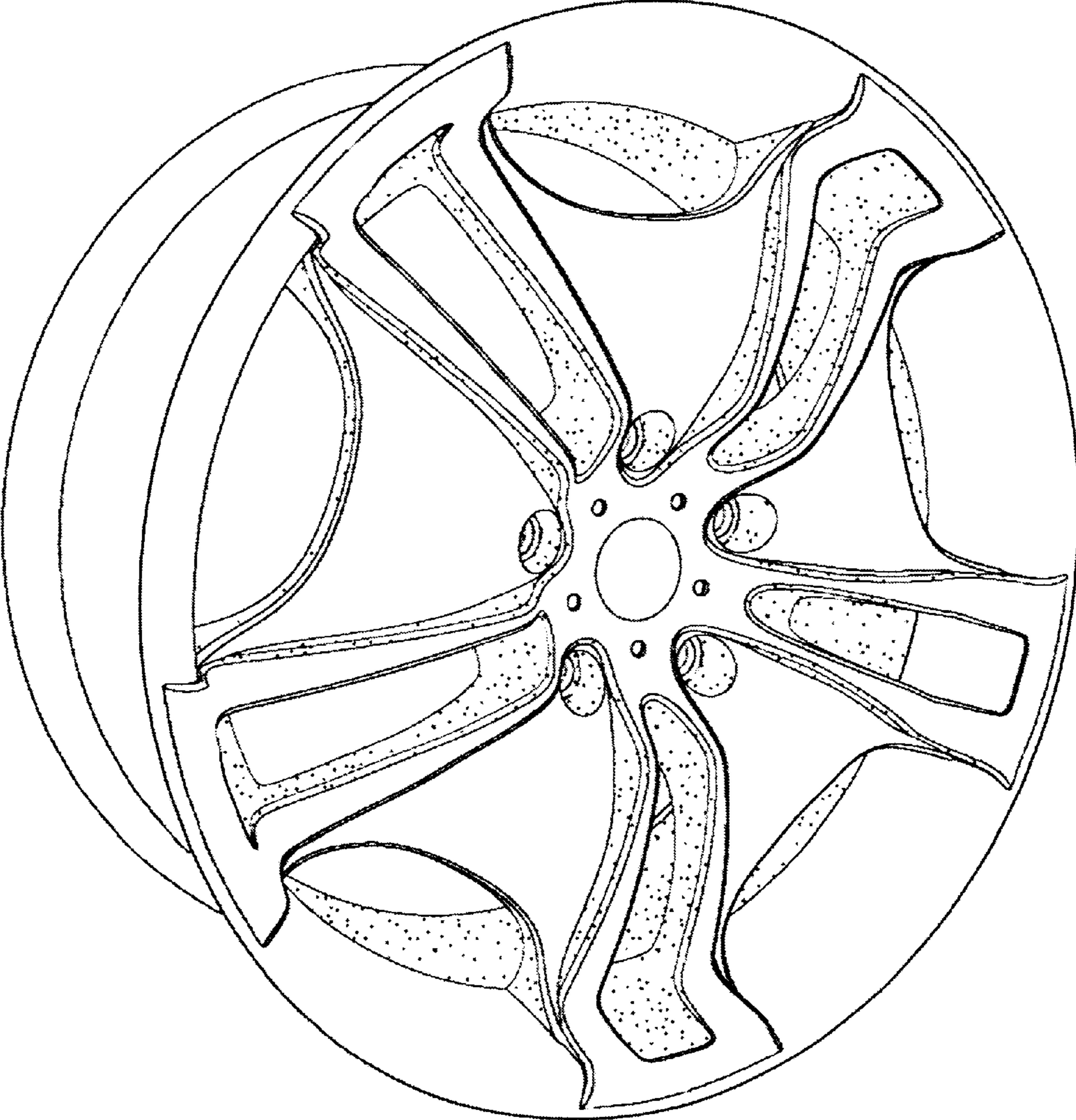


FIGURE 1

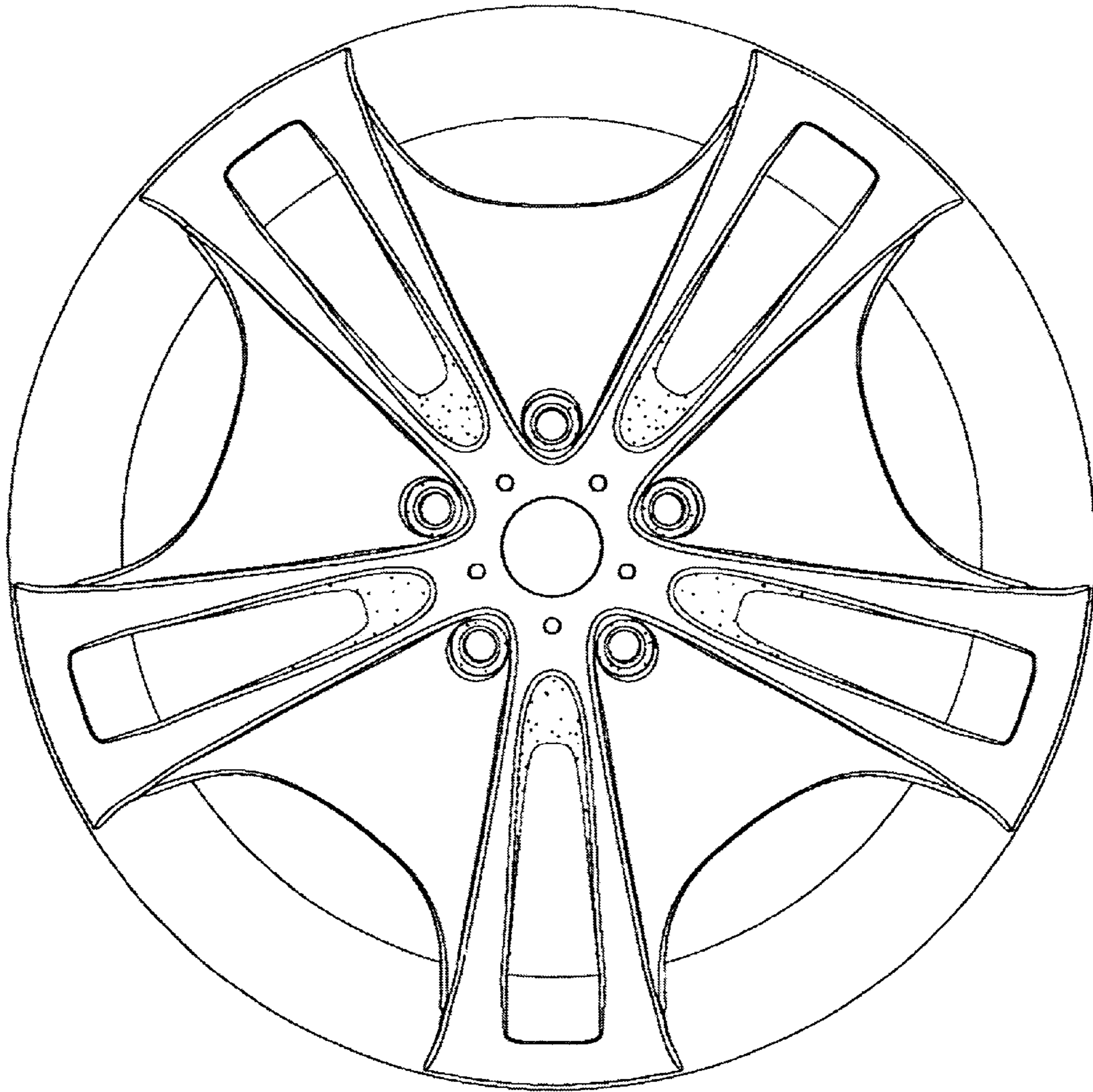


FIGURE 2