

US00D495285S1

(12) **United States Design Patent**
Phillips

(10) **Patent No.:** **US D495,285 S**

(45) **Date of Patent:** **** Aug. 31, 2004**

(54) **WHEEL**

(75) **Inventor:** **Thomas Evan Phillips, San Jose, CA (US)**

(73) **Assignee:** **SJCA Wheels, Incorporated, San Jose, CA (US)**

(**) **Term:** **14 Years**

(21) **Appl. No.:** **29/197,220**

(22) **Filed:** **Jan. 13, 2004**

(51) **LOC (7) Cl.** **12-16**

(52) **U.S. Cl.** **D12/209**

(58) **Field of Search** D12/204-213;
301/37.101, 64.101, 65

D467,857 S	*	12/2002	Chung	D12/209
D469,049 S		1/2003	Kataoka	D12/209
D469,728 S		2/2003	Kataoka	D12/209
D471,500 S	*	3/2003	Kataoka	D12/209
D475,670 S	*	6/2003	Chung	D12/209
D477,265 S	*	7/2003	Chung	D12/211
D480,343 S	*	10/2003	Oh	D12/209
D480,346 S	*	10/2003	Kataoka	D12/209
D481,342 S		10/2003	Kang	D12/209
D481,343 S		10/2003	Kang	D12/209
D481,347 S		10/2003	Kang	D12/211
D481,348 S		10/2003	Kang	D12/211
D488,116 S	*	4/2004	Chung	D12/209
D488,762 S	*	4/2004	Cahyono	D12/209

* cited by examiner

Primary Examiner—Stacia Cadmus

(74) *Attorney, Agent, or Firm*—Park & Sutton LLP; John K. Park

(56) **References Cited**

U.S. PATENT DOCUMENTS

D403,289 S	12/1998	Watanabe	D12/209
D418,794 S	1/2000	Chung	D12/209
D423,442 S	4/2000	Hussaini et al.	D12/209
D433,373 S	11/2000	Hussaini et al.	D12/209
D433,375 S	11/2000	Fitzgerald	D12/209
D445,082 S	* 7/2001	Chung	D12/211
D456,331 S	* 4/2002	Chung	D12/209
D457,849 S	* 5/2002	Kataoka	D12/209
D460,037 S	* 7/2002	Takechi	D12/211
D461,442 S	* 8/2002	Kataoka	D12/211

(57) **CLAIM**

The ornamental design for a wheel, as shown and described.

DESCRIPTION

FIG. 1 is a perspective view of a wheel showing my new design; and,

FIG. 2 is a front elevational view of FIG. 1.

The broken line showing of environment is for illustrative purposes only and forms no part of the claimed design.

1 Claim, 2 Drawing Sheets

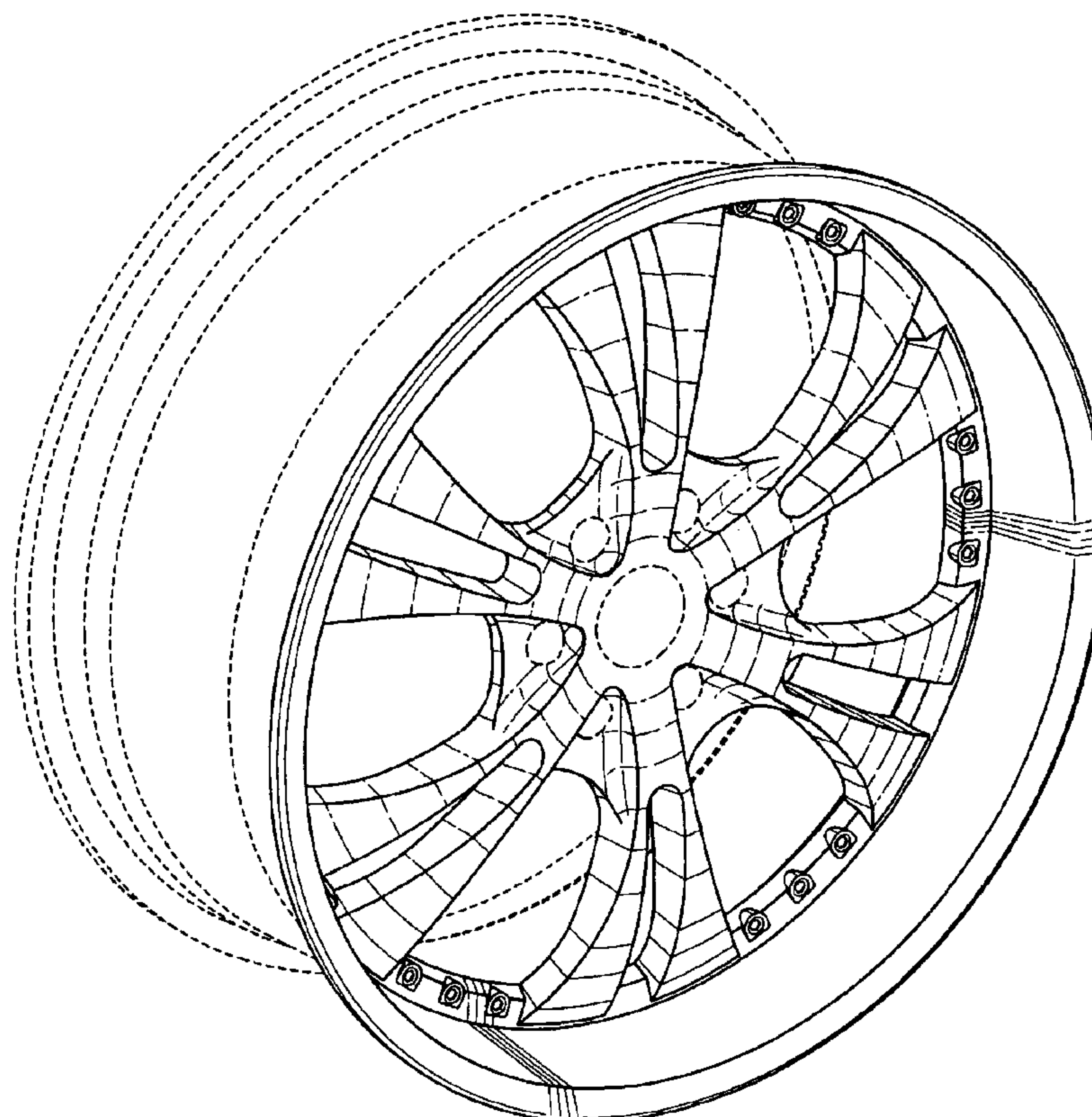


Fig. 1

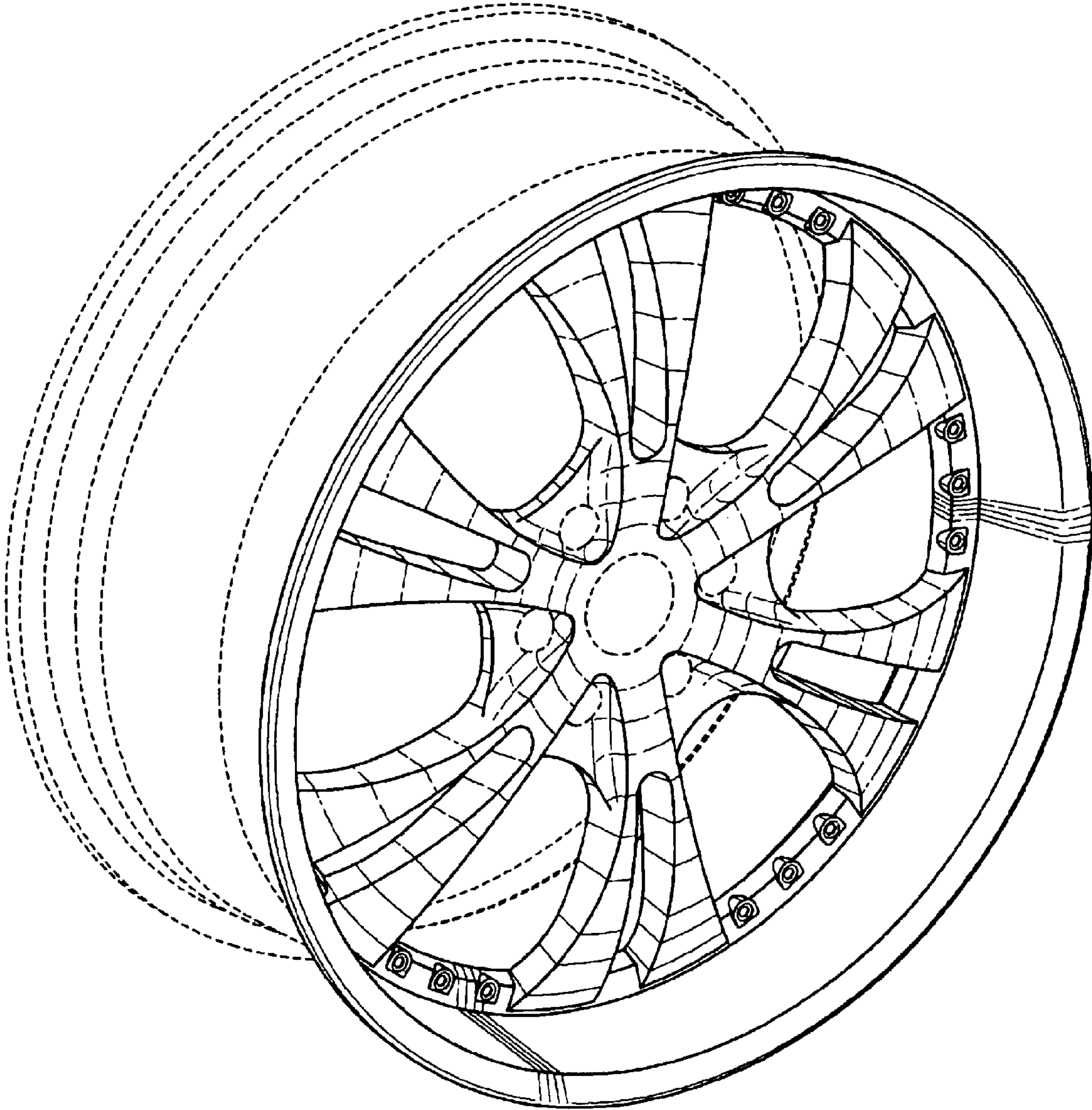


Fig. 2

