

US00D495282S1

(12) **United States Design Patent**
Everett

(10) **Patent No.:** **US D495,282 S**

(45) **Date of Patent:** **** Aug. 31, 2004**

(54) **BRAKE SHOE FOR A BICYCLE**

(57) **CLAIM**

(76) **Inventor:** **Richard C. Everett**, 225 Sunshine La.,
West Linn, OR (US) 97068

The ornamental design for a brake shoe for a bicycle, as shown and described.

(**) **Term:** **14 Years**

DESCRIPTION

(21) **Appl. No.:** **29/182,726**

FIG. 1 is a perspective view of a brake shoe for a bicycle showing my new design;

(22) **Filed:** **Jun. 2, 2003**

FIG. 2 is a left side view of the brake shoe for a bicycle as depicted in FIG. 1;

(51) **LOC (7) Cl.** **12-16**

FIG. 3 is a right side view of the brake shoe for a bicycle as depicted in FIG. 1;

(52) **U.S. Cl.** **D12/180**

(58) **Field of Search** D12/180; 188/24.11-24.22,
188/250 R, 73.1

FIG. 4 is a back view of the brake shoe for a bicycle as depicted in FIG. 1;

(56) **References Cited**

FIG. 5 is a front view of the brake shoe for a bicycle as depicted in FIG. 1;

U.S. PATENT DOCUMENTS

FIG. 6 is a top view of the brake shoe for a bicycle as depicted in FIG. 1; and,

D432,471 S * 10/2000 Takizawa D12/180

D436,334 S * 1/2001 Takizawa D12/180

FIG. 7 is a bottom view of the brake shoe for a bicycle as depicted in FIG. 1.

* cited by examiner

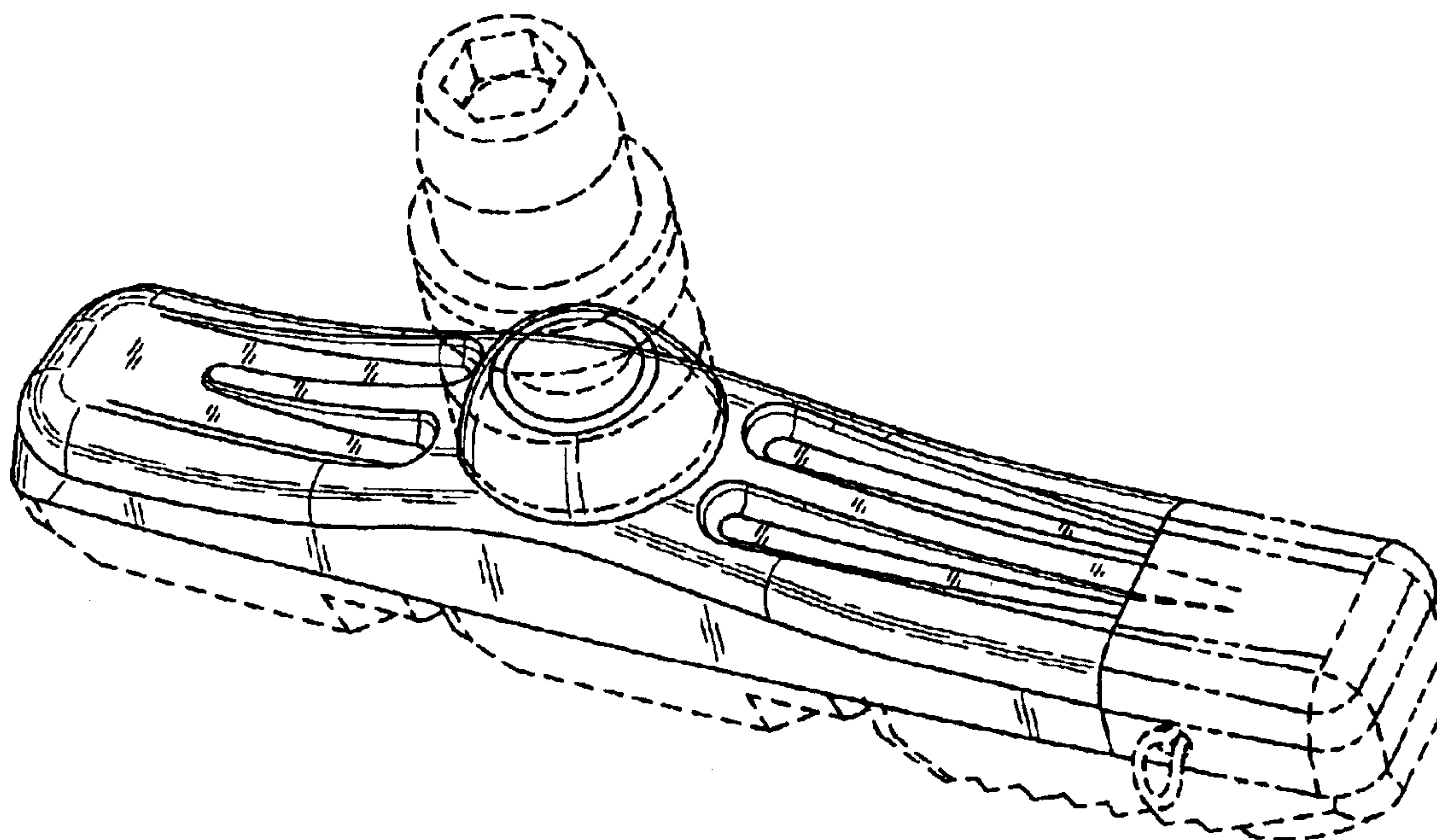
The broken lines shown in FIGS. 1-7 are for illustrative purposes only and form no part of the claimed design.

Primary Examiner—Alan P. Douglas

Assistant Examiner—Linda Brooks

(74) *Attorney, Agent, or Firm*—Edward E. Roberts

1 Claim, 3 Drawing Sheets



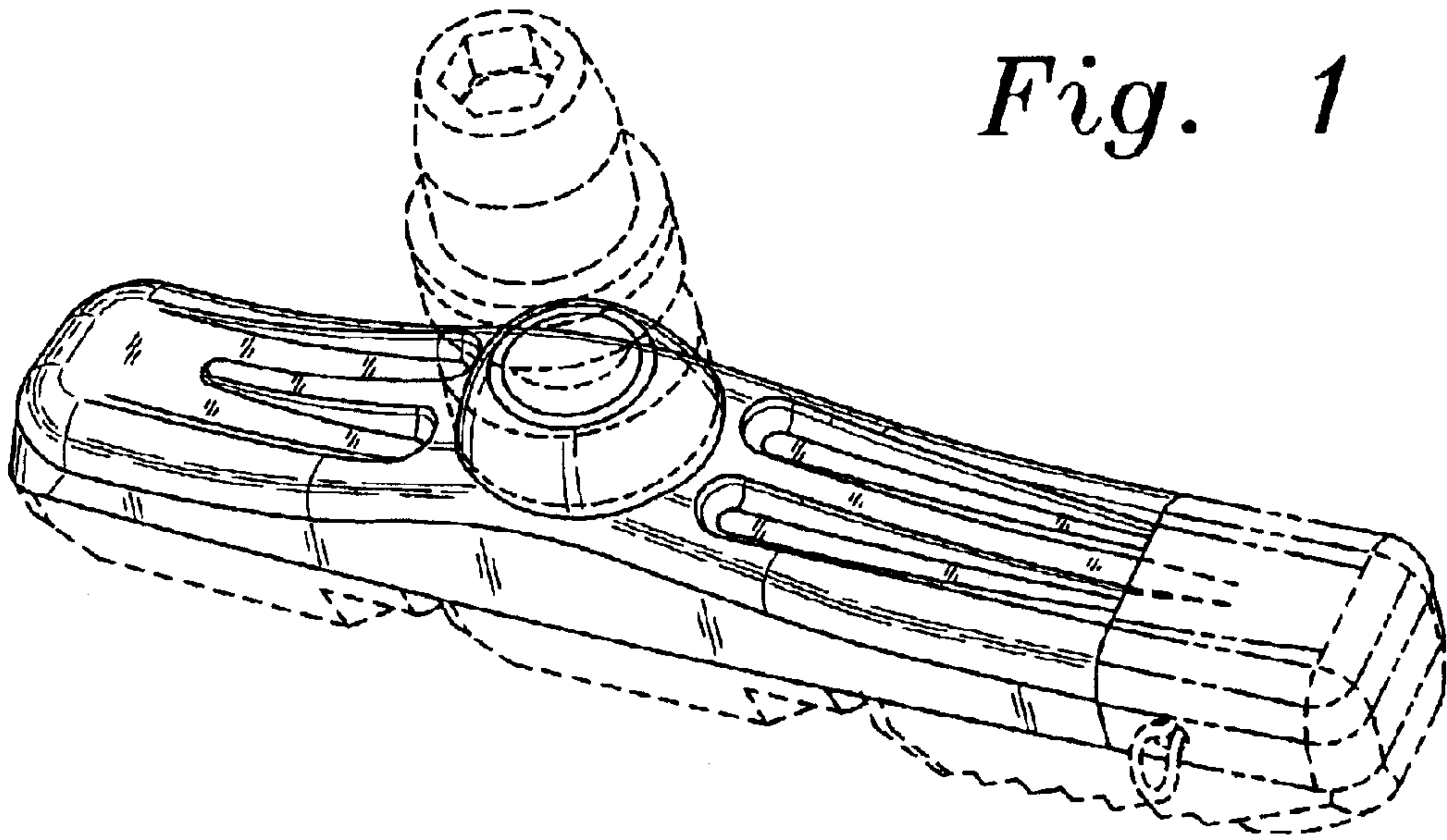


Fig. 1

Fig. 4

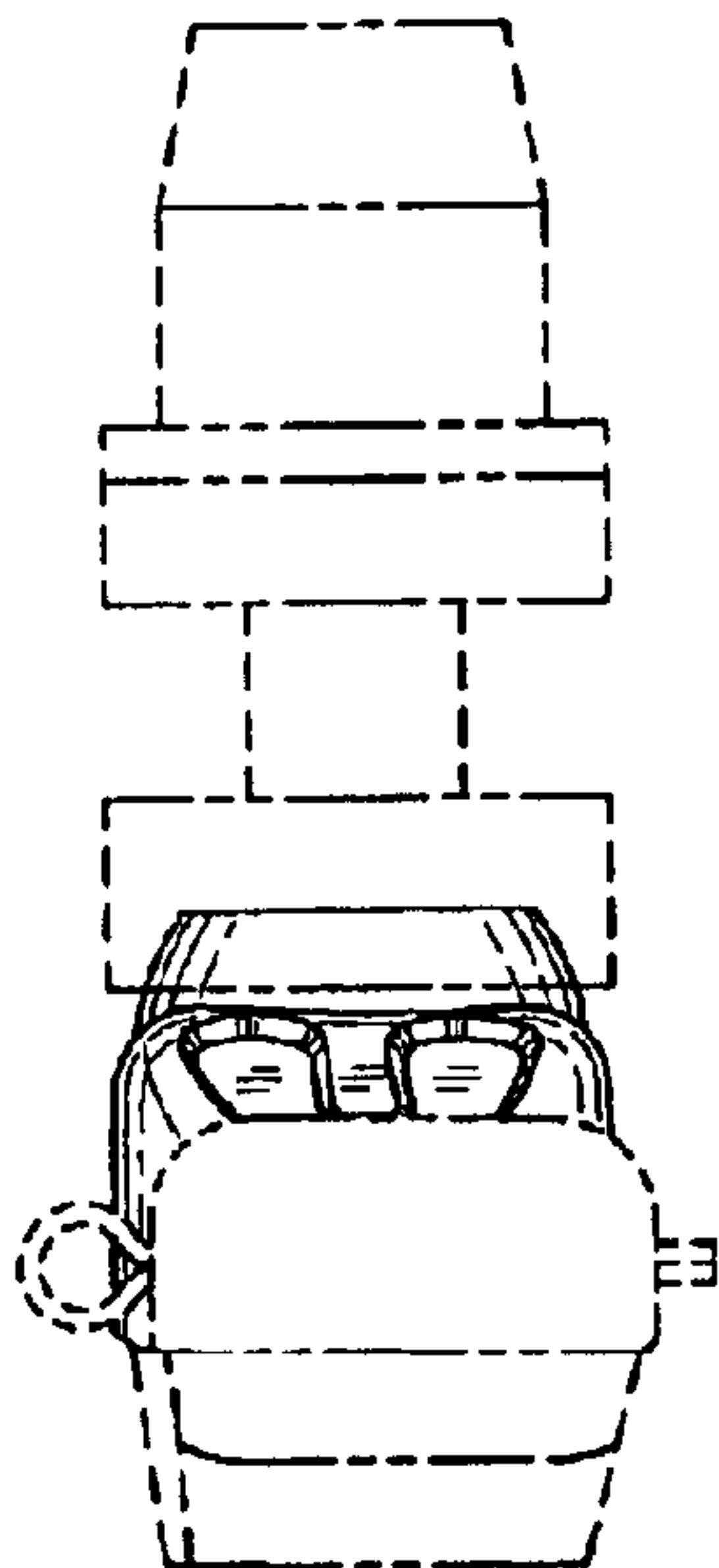


Fig. 5

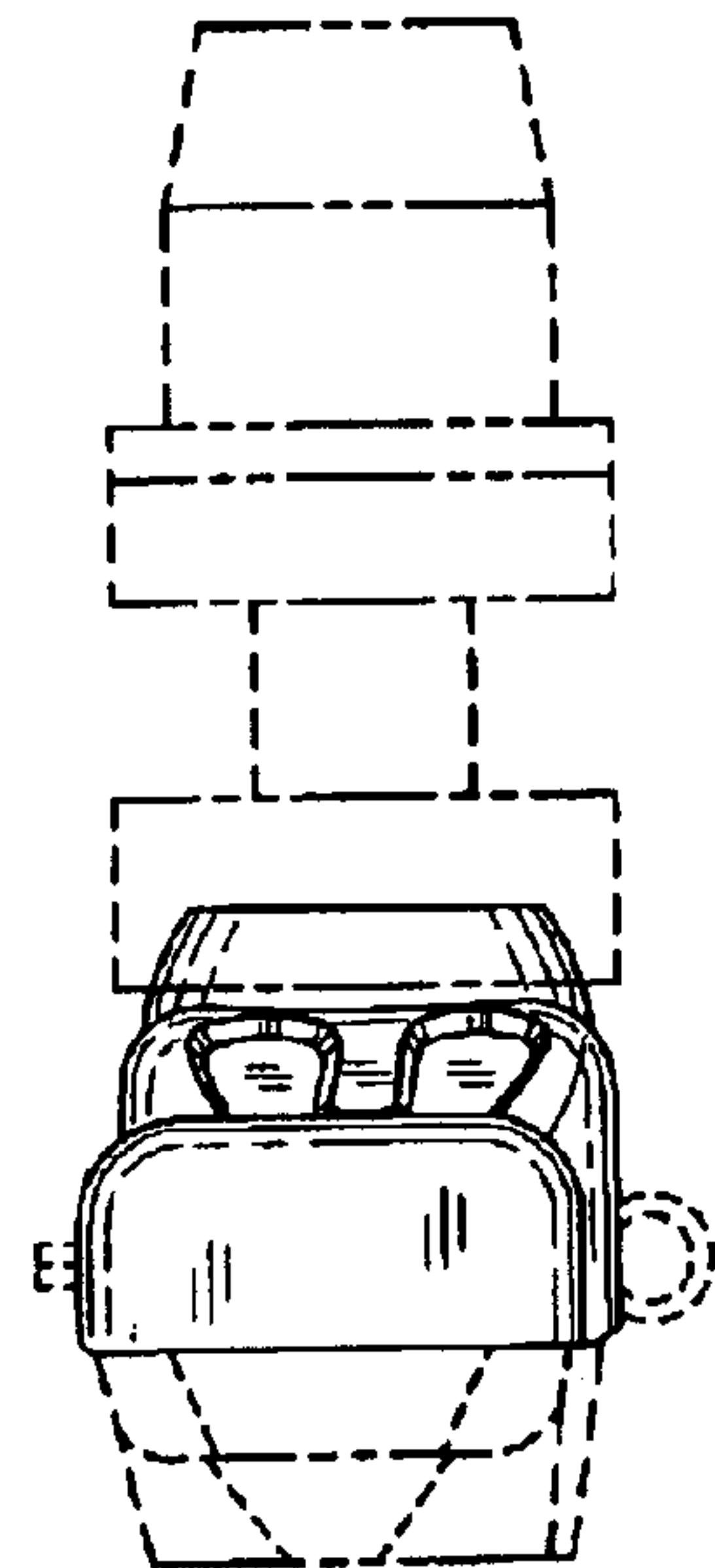


Fig. 2

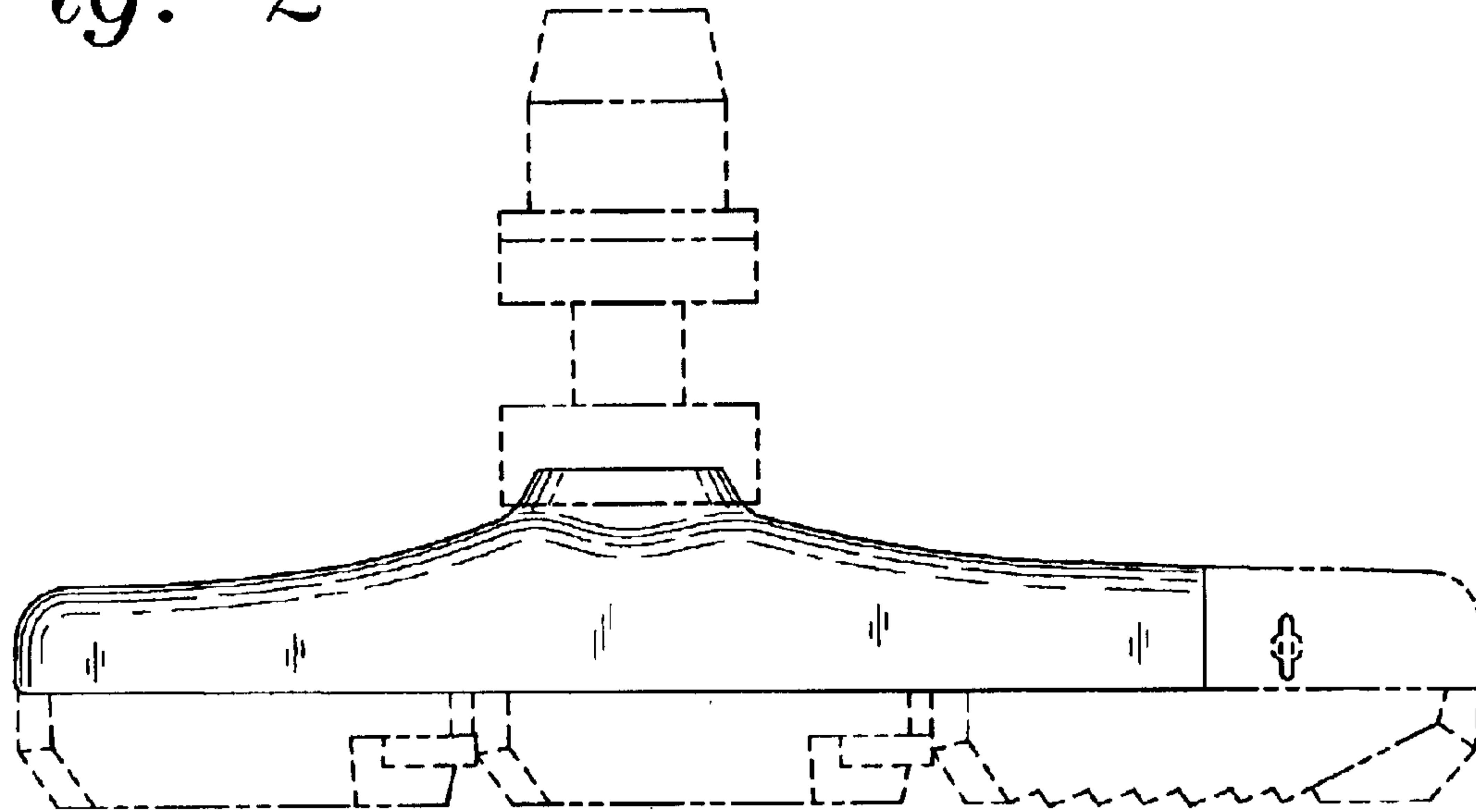


Fig. 3

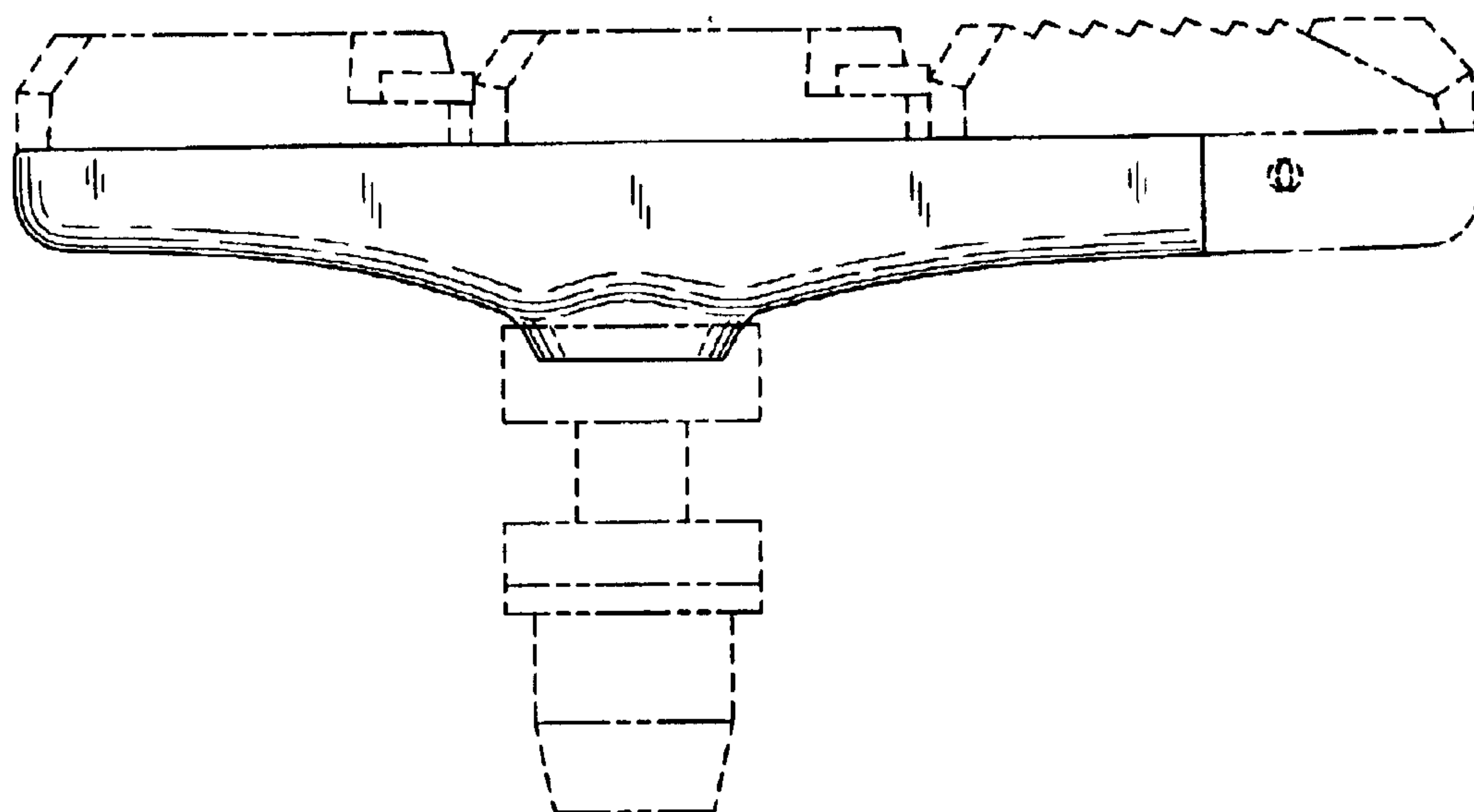


Fig. 6

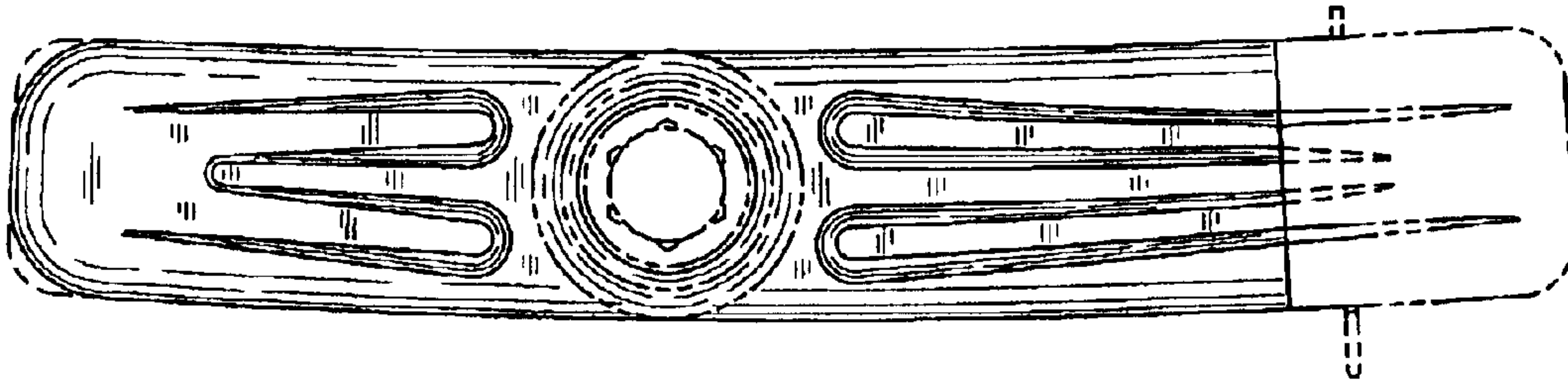


Fig. 7

