

US00D495278S1

(12) **United States Design Patent** (10) **Patent No.:** **US D495,278 S**
Kroeker et al. (45) **Date of Patent:** **** Aug. 31, 2004**

(54) **SHOCK ABSORBER MOUNTING**
 (76) Inventors: **Kent L. Kroeker**, 29422 MacTan Rd.,
 Valley Center, CA (US) 92082; **Victor**
Ortiz, 625 Corvina St., Imperial Beach,
 CA (US) 91932

(**) Term: **14 Years**

(21) Appl. No.: **29/198,562**

(22) Filed: **Feb. 2, 2004**

(51) **LOC (7) Cl.** **12-16**

(52) **U.S. Cl.** **D12/159**

(58) **Field of Search** D12/159-160,
 D12/400, 110, 111, 114, 117; D15/138;
 267/220, 218, 64.16-64.17, 67-68, 135-136,
 34; 280/668, 673, 124.106, 124.161, 124.155;
 188/318, 285, 274, 266.6

5,941,508 A 8/1999 Murata et al.
 6,079,526 A 6/2000 Nezu et al.
 6,135,498 A 10/2000 Vlahovic
 D434,707 S * 12/2000 Bauer D12/159
 D435,236 S * 12/2000 Hanlon et al. D12/159
 6,213,263 B1 4/2001 De Frenne
 6,334,517 B1 1/2002 De Frenne
 6,416,061 B1 7/2002 French et al.
 6,428,024 B1 8/2002 Heyring et al.
 6,572,089 B2 6/2003 Zietsch
 2002/0093168 A1 7/2002 Hibbert
 2003/0020252 A1 1/2003 Stanfield
 2003/0102646 A1 6/2003 Gloceri et al.
 2003/0116895 A1 6/2003 Lancz

* cited by examiner

Primary Examiner—Stacia Cadmus

(57) **CLAIM**

The ornamental design for a shock absorber mounting, as shown and described.

(56) **References Cited**

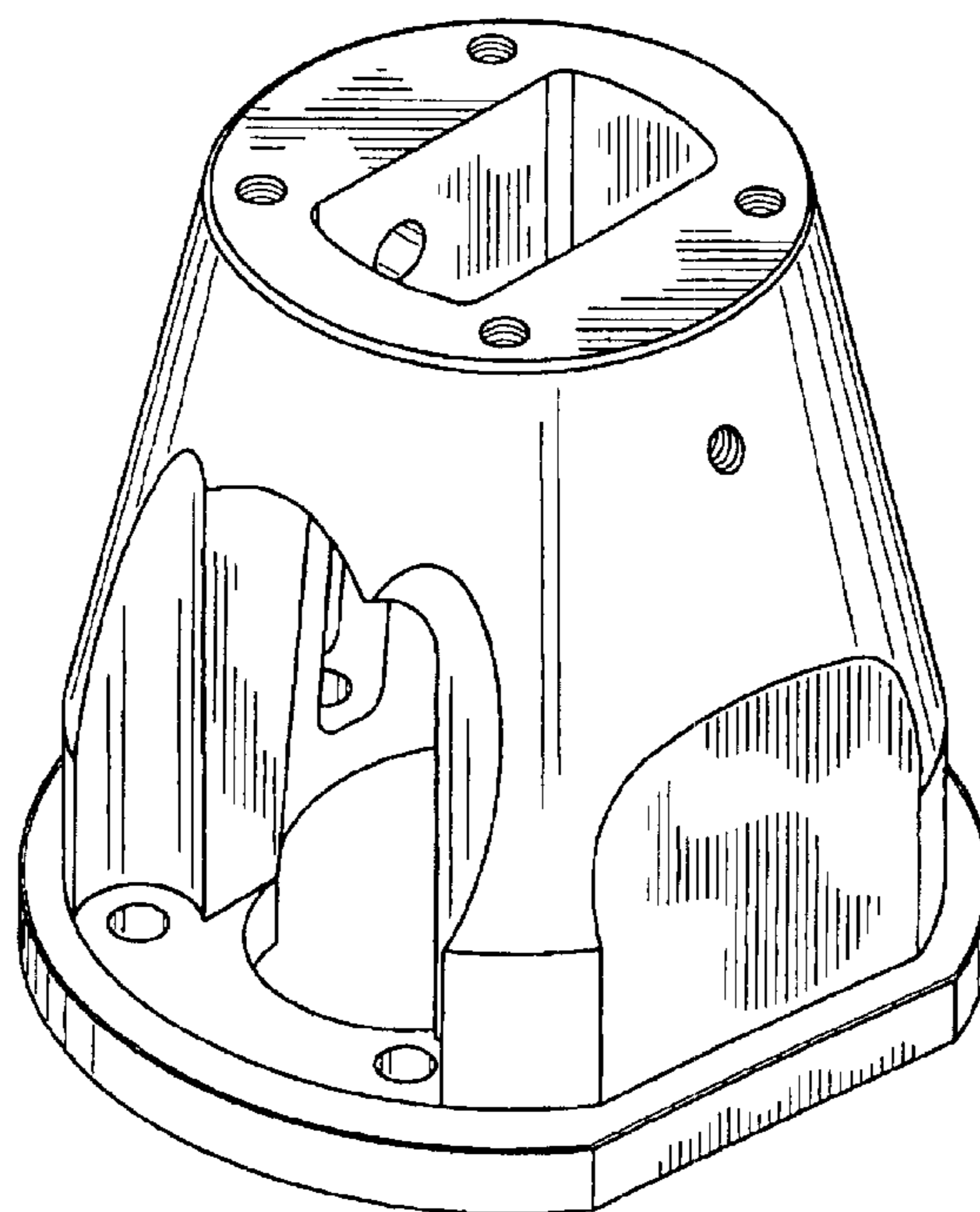
U.S. PATENT DOCUMENTS

D239,377 S * 3/1976 Castelli et al. D12/159
 4,210,344 A 7/1980 Curnutt
 D277,952 S * 3/1985 Nakano et al. D12/159
 4,616,810 A 10/1986 Richardson et al.
 4,877,262 A 10/1989 Tanahashi et al.
 5,133,573 A 7/1992 Kijima et al.
 5,220,983 A 6/1993 Furrer et al.
 D346,781 S * 5/1994 Homme D12/159
 5,344,124 A 9/1994 Runkel
 5,392,886 A 2/1995 Drummond
 5,431,383 A 7/1995 Fujimoto et al.
 5,456,517 A 10/1995 Kalian et al.
 5,785,344 A 7/1998 Vandewal et al.
 D399,462 S * 10/1998 Toffolo et al. D12/159

DESCRIPTION

FIG. 1 is a front view of a shock absorber mounting showing my new design;
 FIG. 2 is a right side view of the shock absorber mounting;
 FIG. 3 is a left side view of the shock absorber mounting;
 FIG. 4 is a bottom view of the shock absorber mounting;
 FIG. 5 is a top view of the shock absorber mounting;
 FIG. 6 is a perspective view of the shock absorber mounting;
 and,
 FIG. 7 is a reduced right side environmental view of the shock absorber mounting.
 The dotted lines are for example only and form no part of the claimed invention.

1 Claim, 5 Drawing Sheets



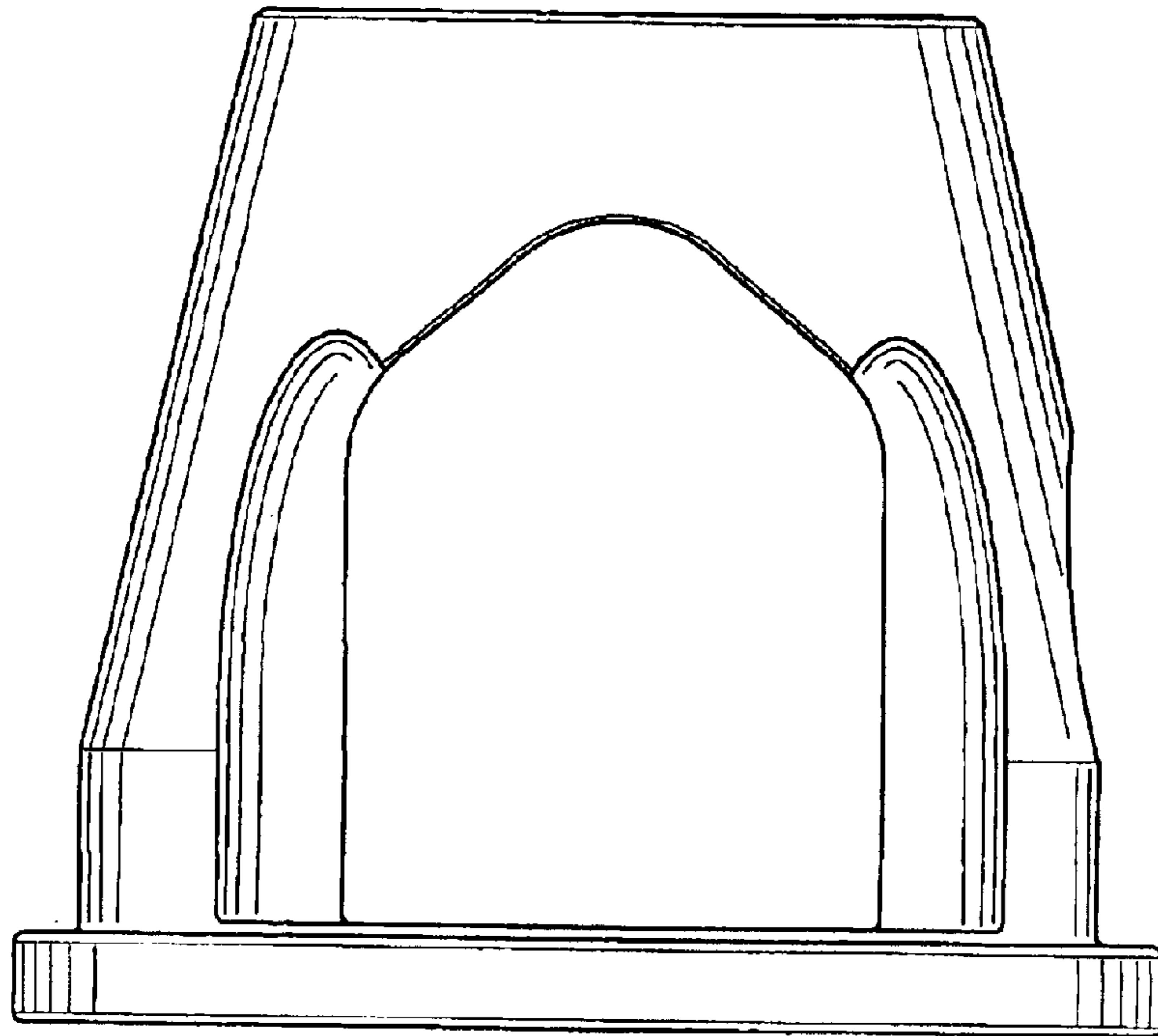


FIG. 1

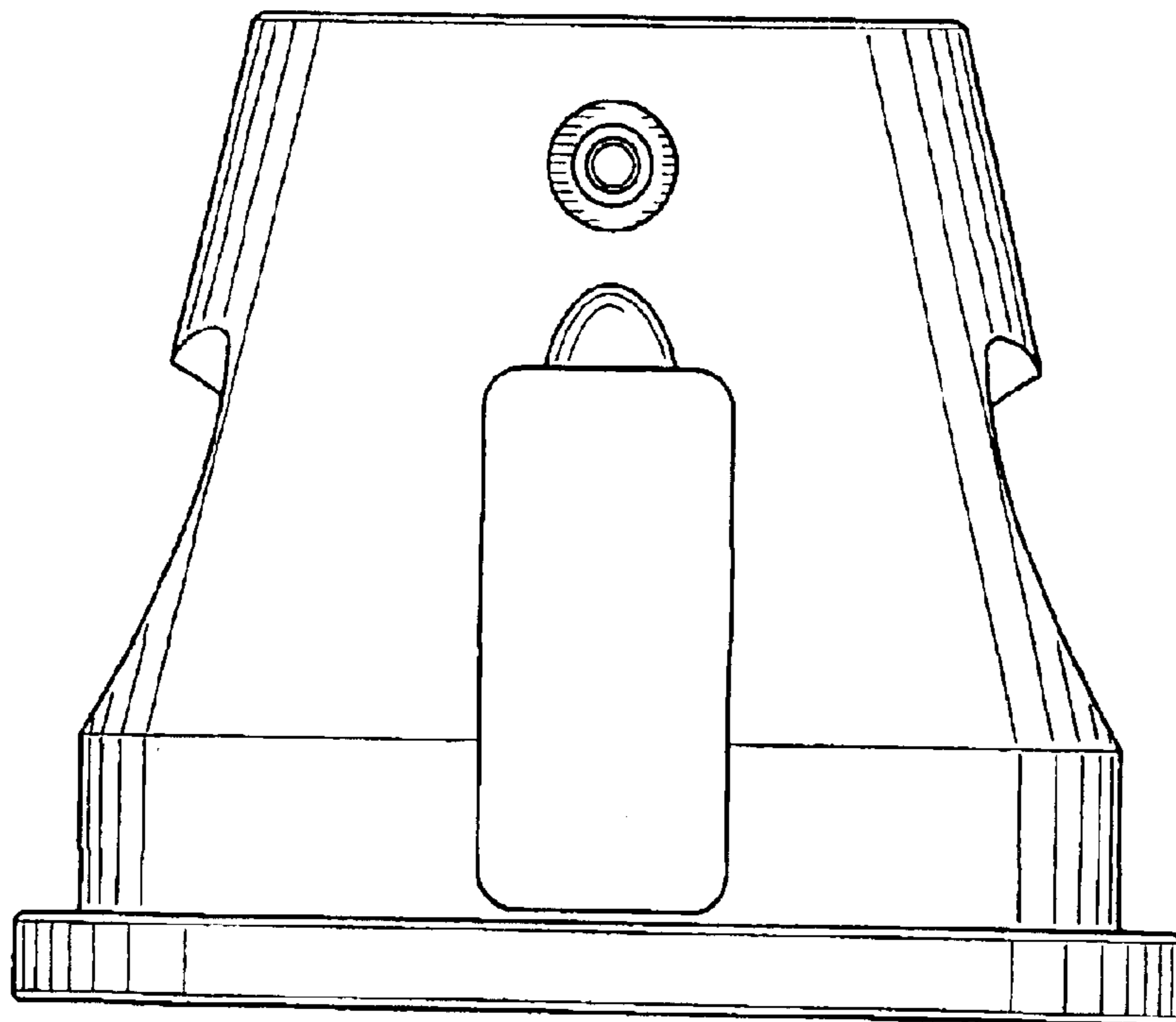


FIG. 2

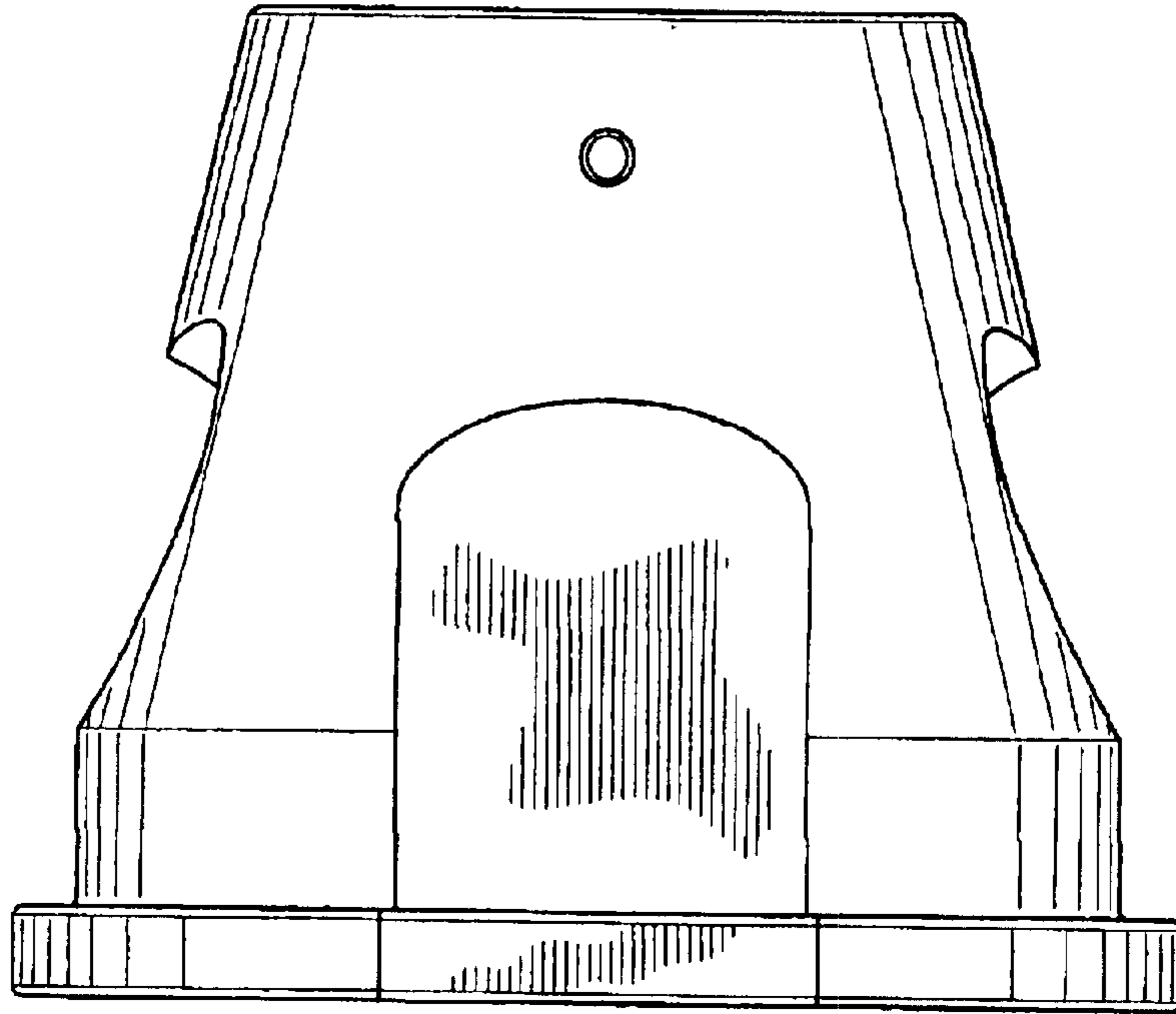


FIG.3

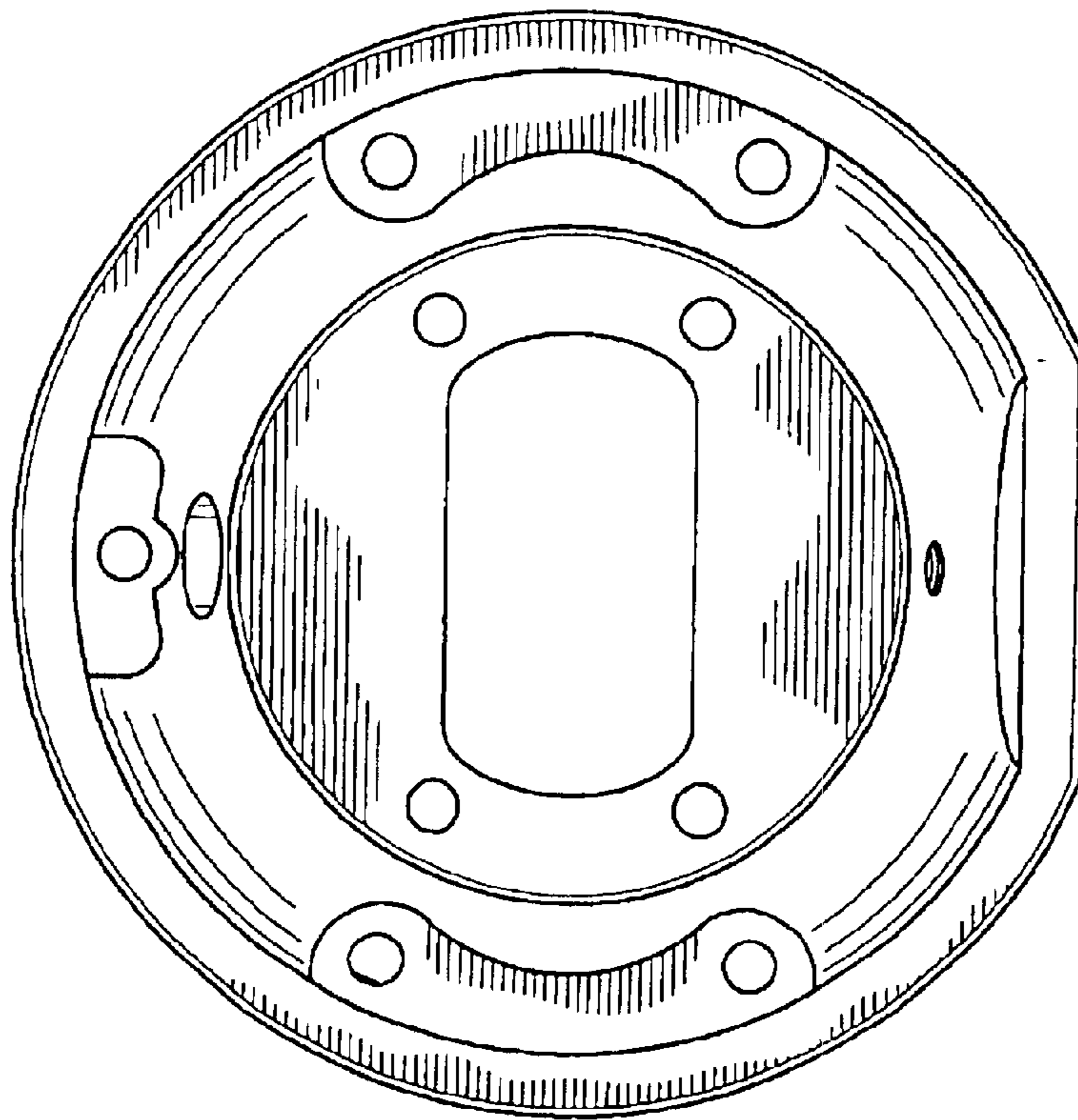


FIG.4

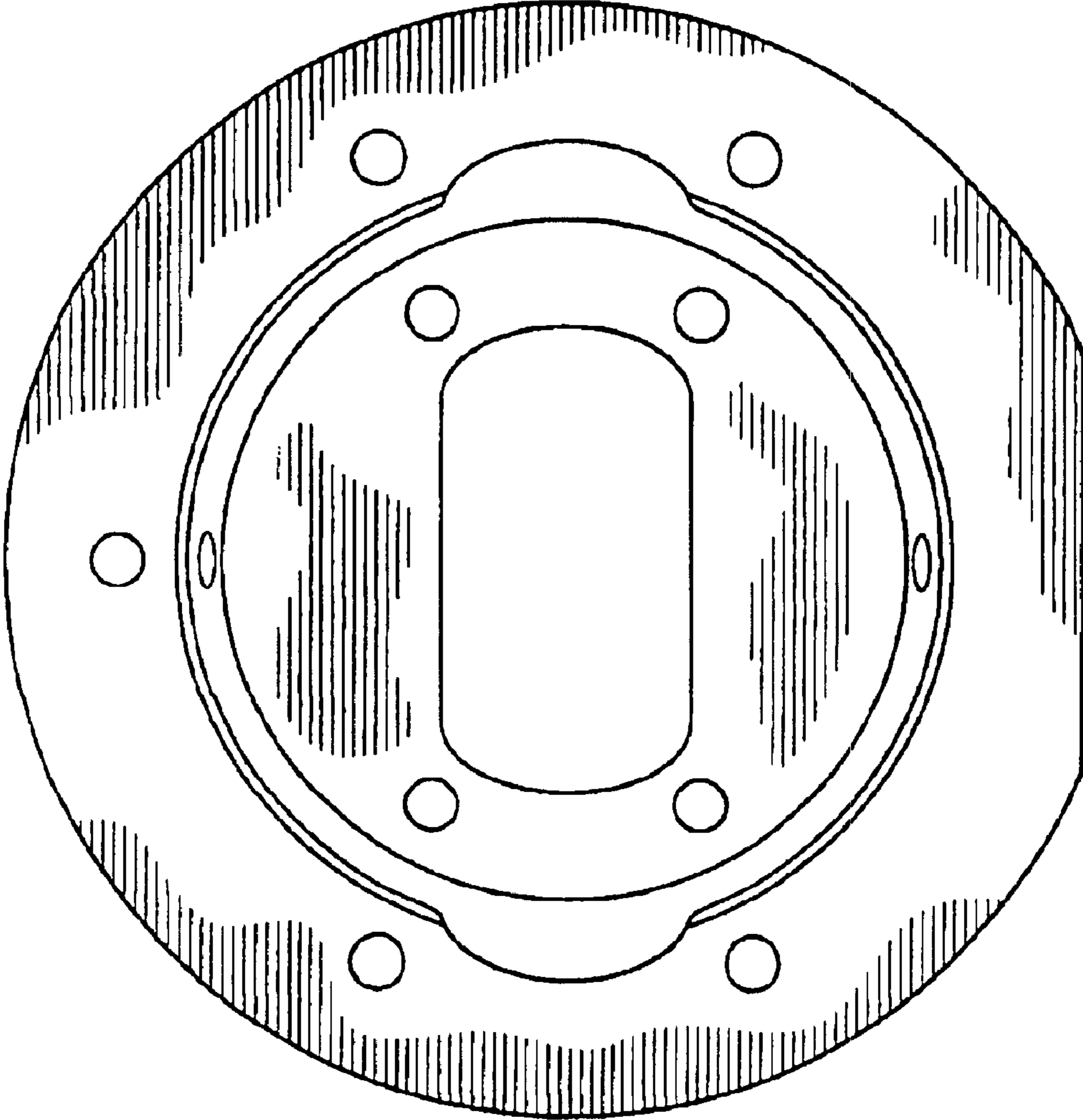


FIG.5

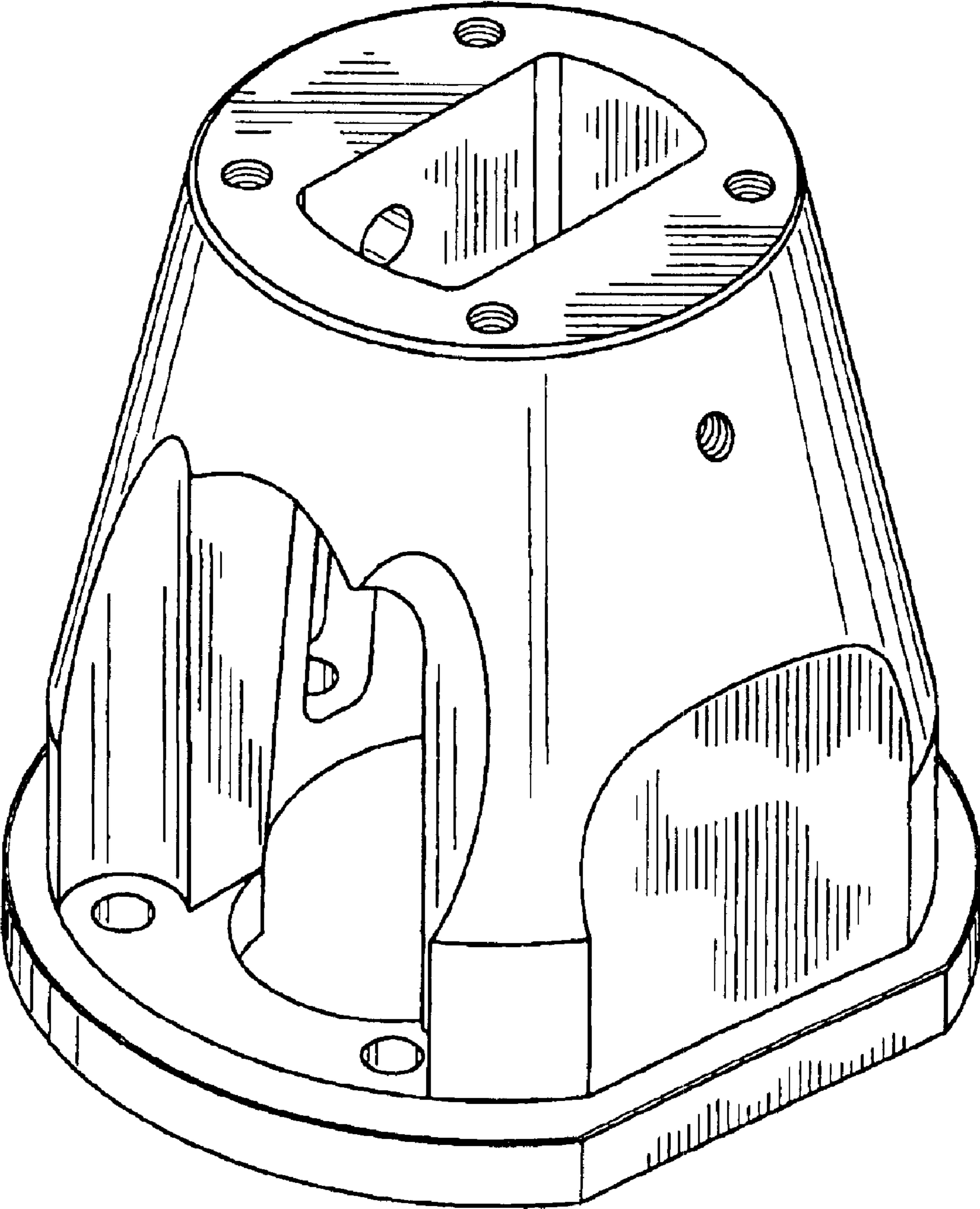


FIG. 6

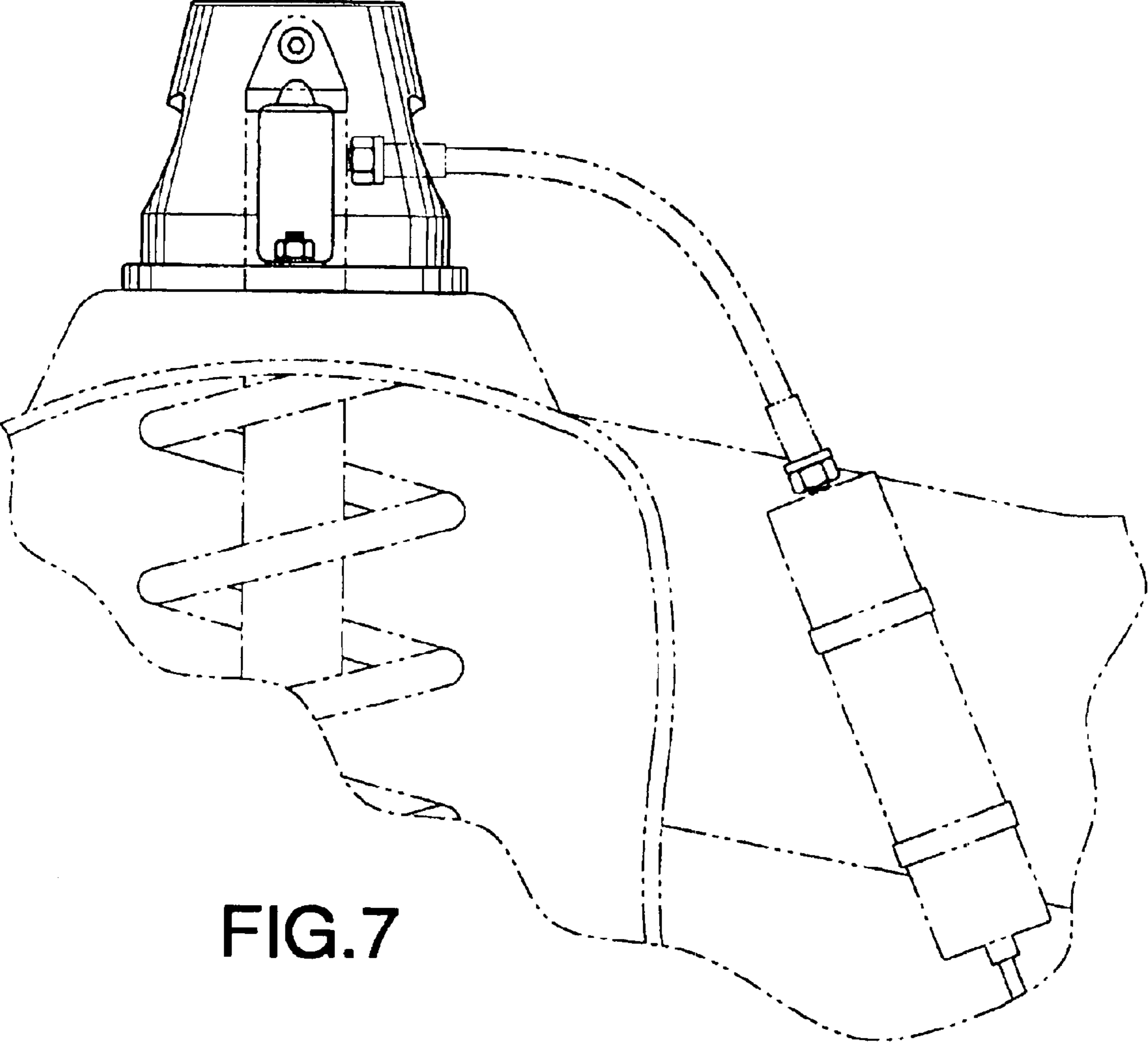


FIG.7