

US00D495271S1

(12) **United States Design Patent**  
**Lai**

(10) **Patent No.:** **US D495,271 S**

(45) **Date of Patent:** **\*\* Aug. 31, 2004**

(54) **ORNAMENT IN LUMP-LIKE FORM**

(76) **Inventor:** **Hou-Sheng Lai**, No.202-3, Pao-Pu Road, Chang Hua City (TW)

(\*\*) **Term:** **14 Years**

(21) **Appl. No.:** **29/187,734**

(22) **Filed:** **Aug. 7, 2003**

(51) **LOC (7) Cl.** ..... **11-02**

(52) **U.S. Cl.** ..... **D11/131; D19/96**

(58) **Field of Search** ..... D11/43, 45, 75, D11/79, 80, 89, 90, 117, 121, 131, 157; D19/95-97; D20/10, 12, 15, 19; D16/100, 101, 130, 134, 135-137; D6/300-314; 428/7, 13, 14, 542.2, 542.4, 542.6; 40/661, 454, 594, 358, 720-722, 725, 737, 738, 743; 359/798, 804, 807, 831; 63/1.14, 1.16, 18, 21, 23, 32, 33, 40

(56) **References Cited**

**U.S. PATENT DOCUMENTS**

470,222 A \* 3/1892 Townsend ..... 40/358  
D138,560 S \* 8/1944 Morehead ..... D6/309  
2,917,856 A \* 12/1959 Soloff ..... 428/13  
D193,143 S \* 7/1962 Sadek ..... D6/301  
D214,137 S \* 5/1969 Bright ..... D16/135

3,811,677 A \* 5/1974 Saladrigas ..... 273/118 R  
3,822,782 A \* 7/1974 Ringle et al. .... 206/0.83  
D283,690 S \* 5/1986 McCollum ..... D11/157  
D344,968 S \* 3/1994 Dowd ..... D16/137  
D455,366 S \* 4/2002 Basha ..... D11/79  
D472,930 S \* 4/2003 Bump ..... D19/62

**OTHER PUBLICATIONS**

Steuben Glass 1979-1980, pp. 58-59: "Punty Cube".\*

\* cited by examiner

*Primary Examiner*—Philip S. Hyder

*Assistant Examiner*—C. Tuttle

(74) *Attorney, Agent, or Firm*—Troxell Law Office PLLC

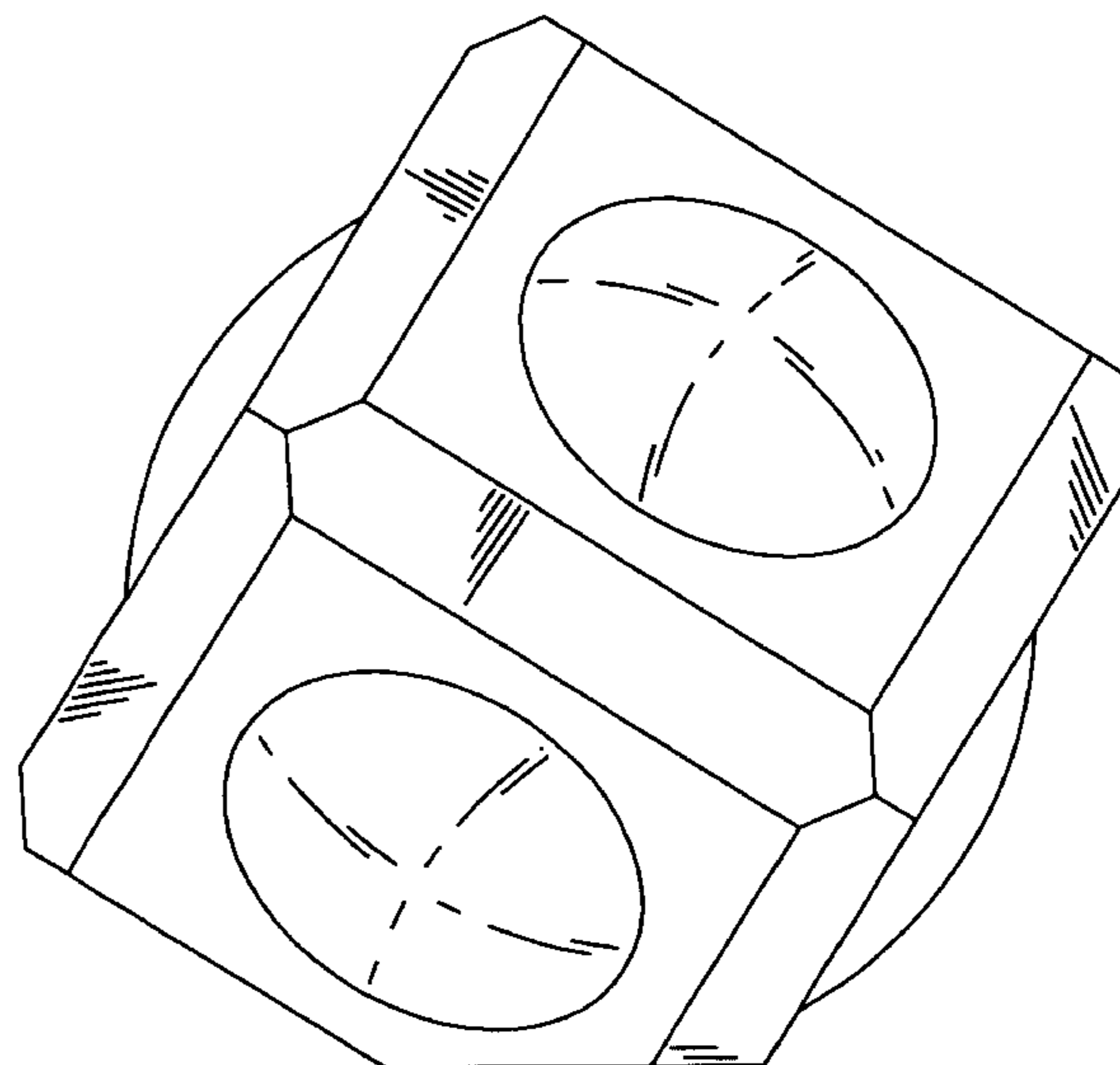
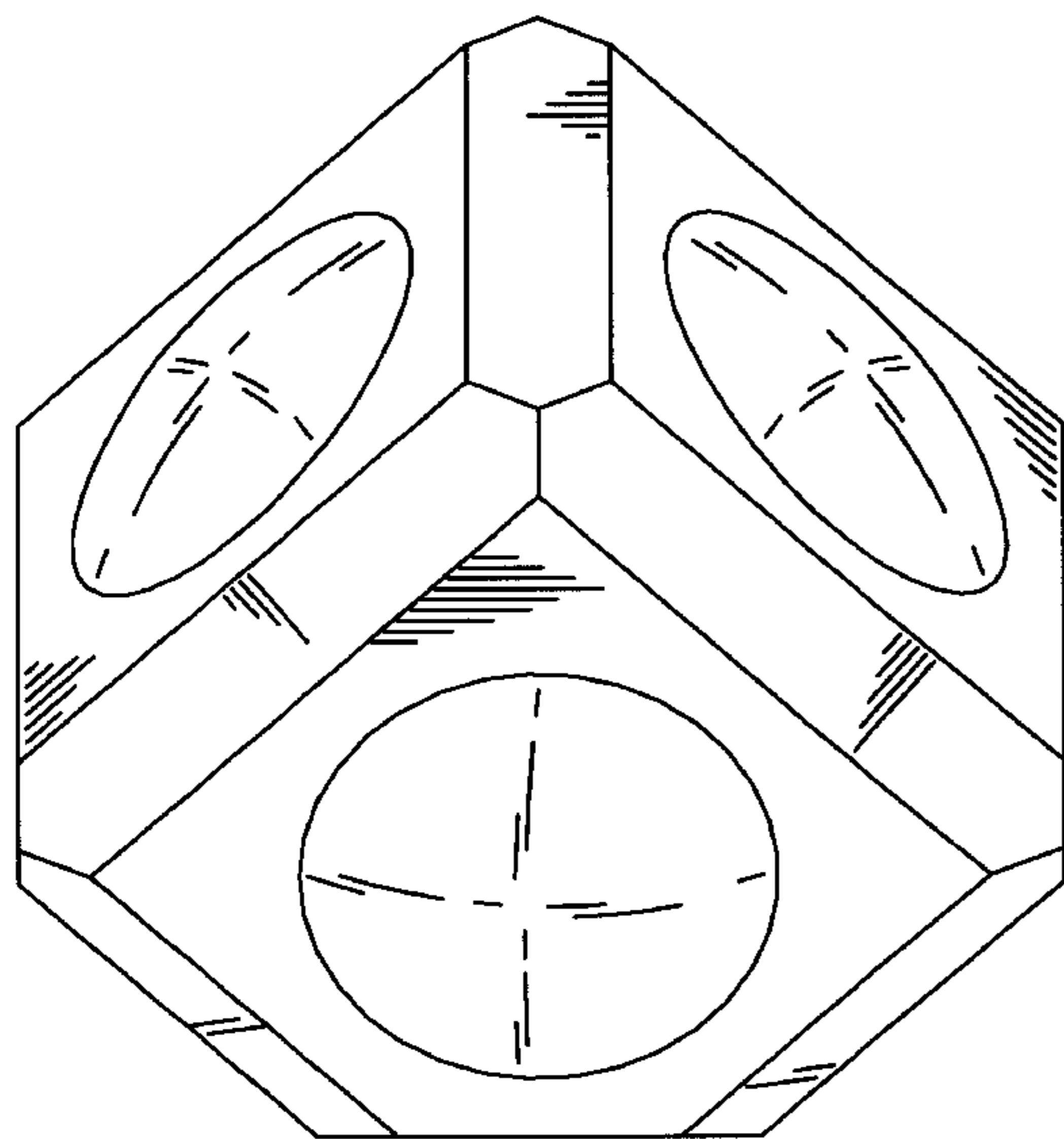
(57) **CLAIM**

The ornamental design for ornament in lump-like form, as shown and described.

**DESCRIPTION**

FIG. 1 is a front elevational view showing my new design; FIG. 2 is a rear elevational view thereof; FIG. 3 is a left side elevational view thereof; FIG. 4 is a right side elevational view thereof; FIG. 5 is a top plan view thereof; FIG. 6 is a bottom plan view thereof; and, FIG. 7 is a top and rear perspective view thereof.

**1 Claim, 4 Drawing Sheets**



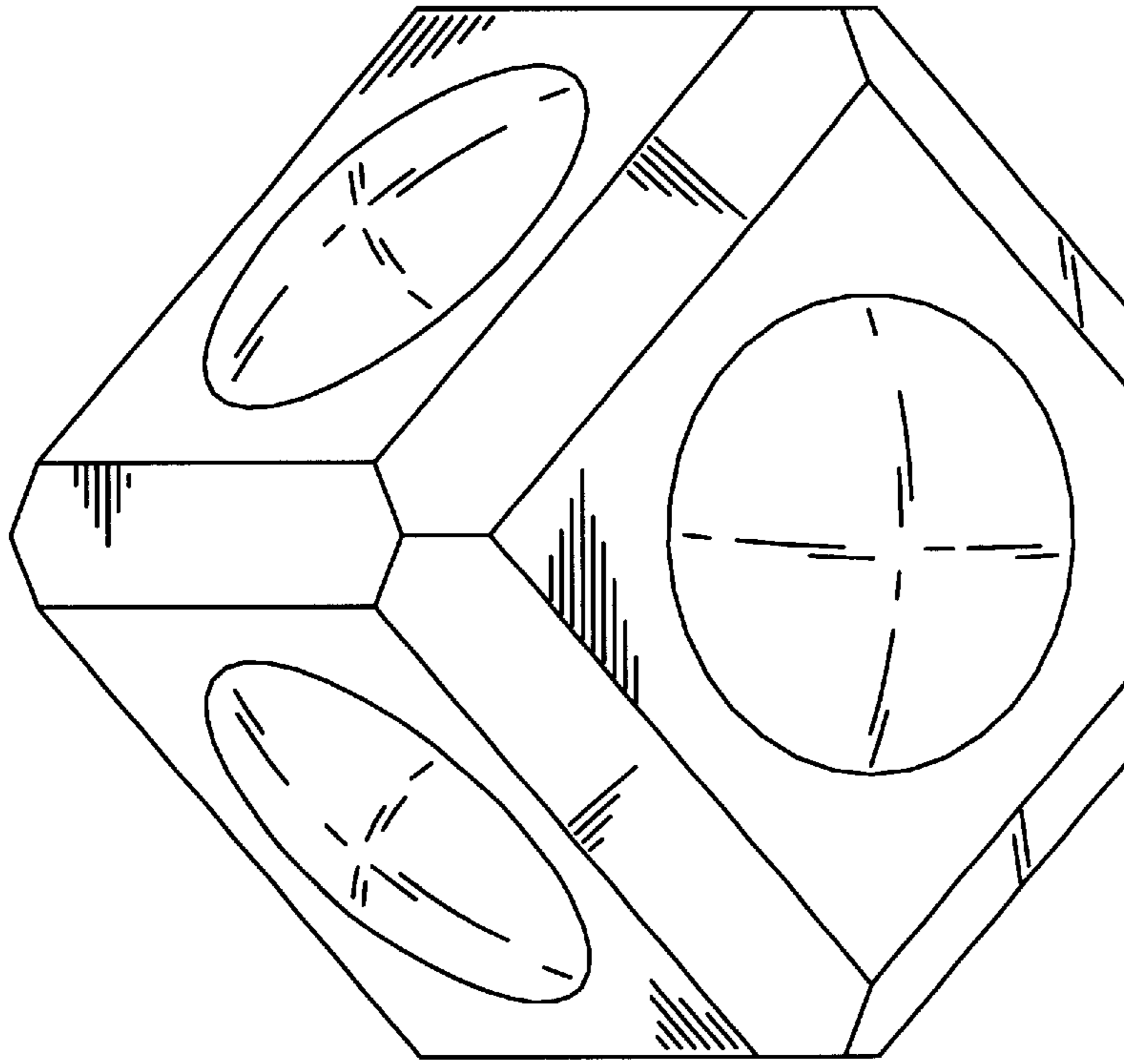


Fig. 1

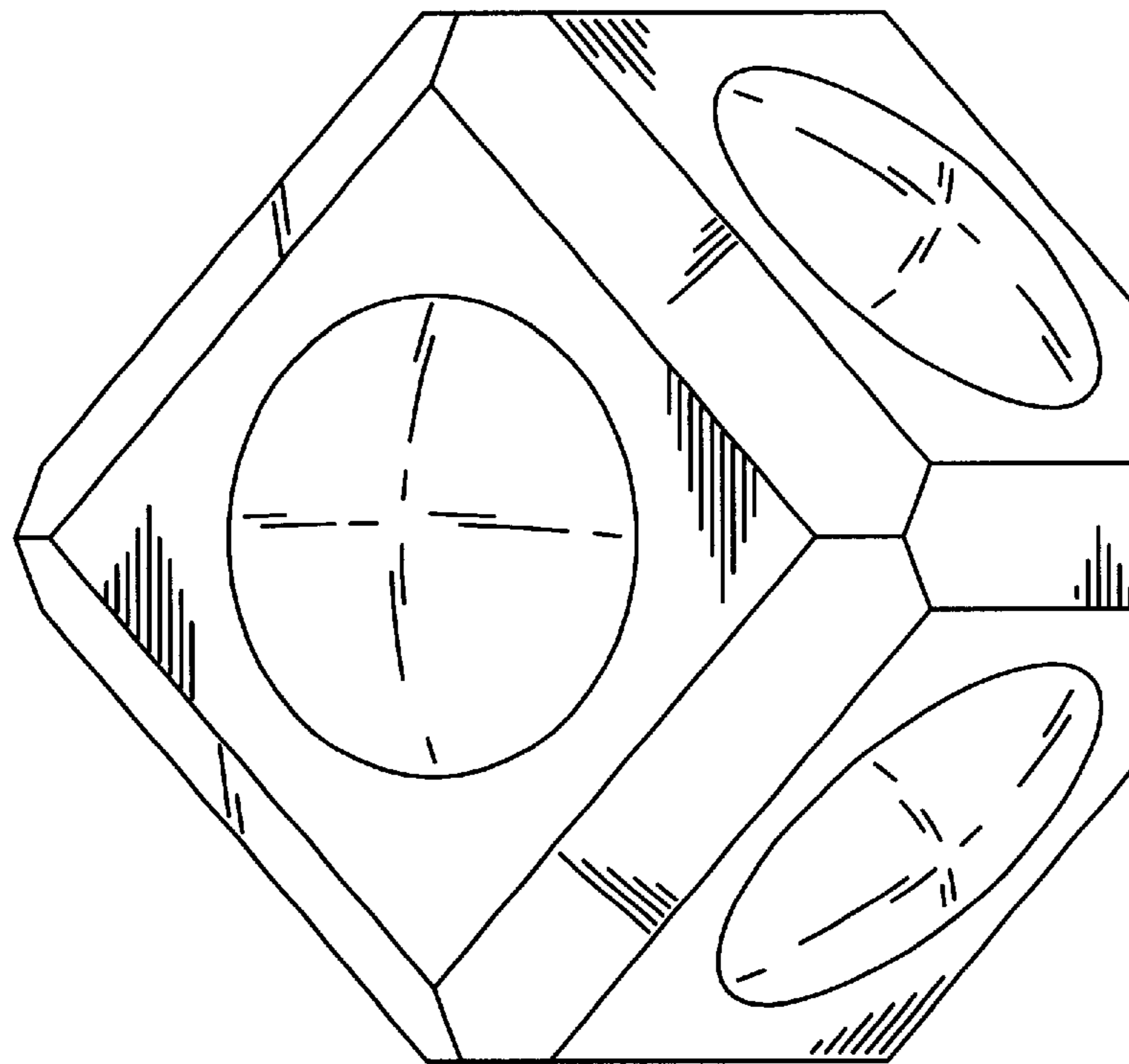


Fig. 2

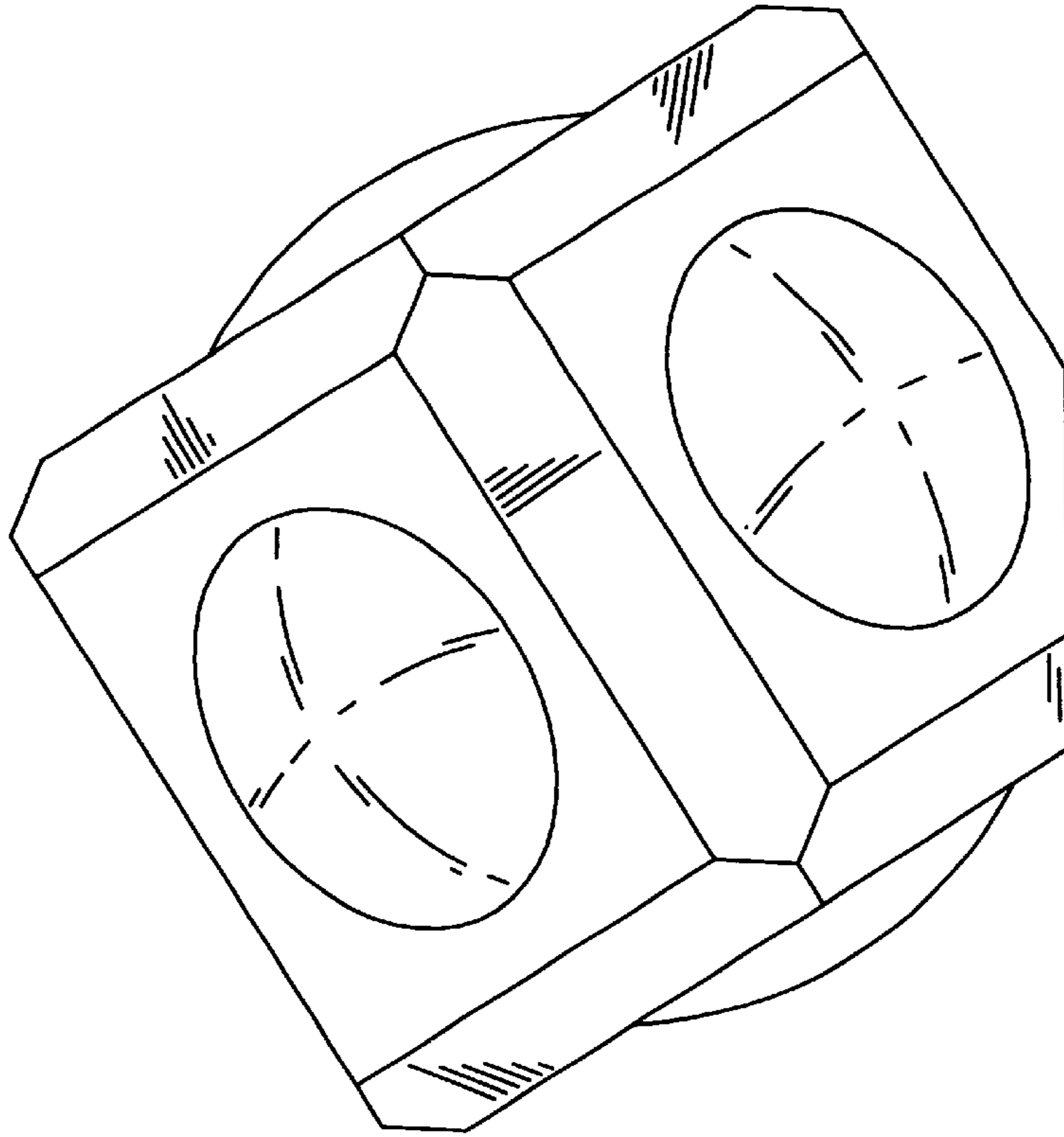


Fig. 4

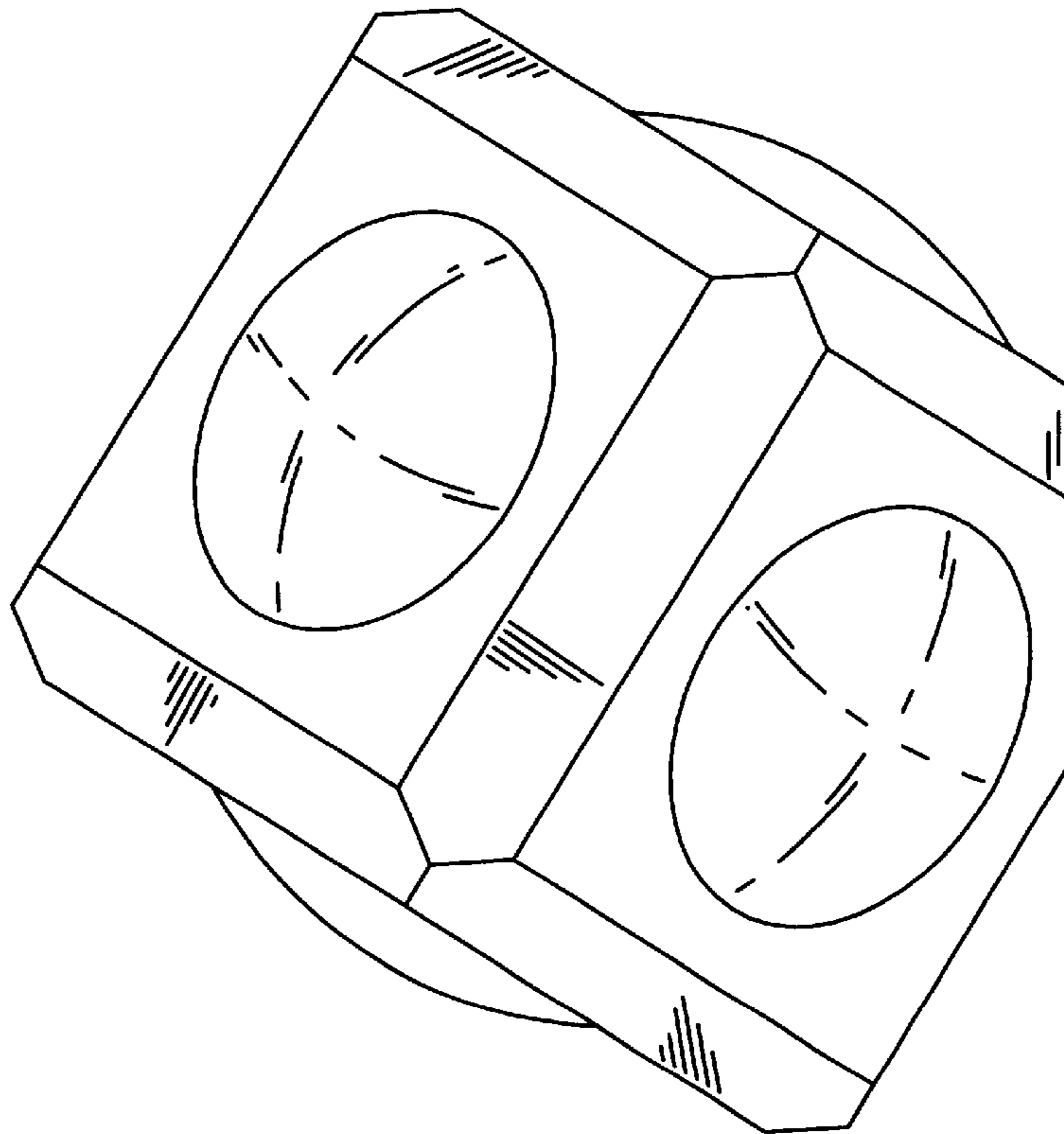


Fig. 3

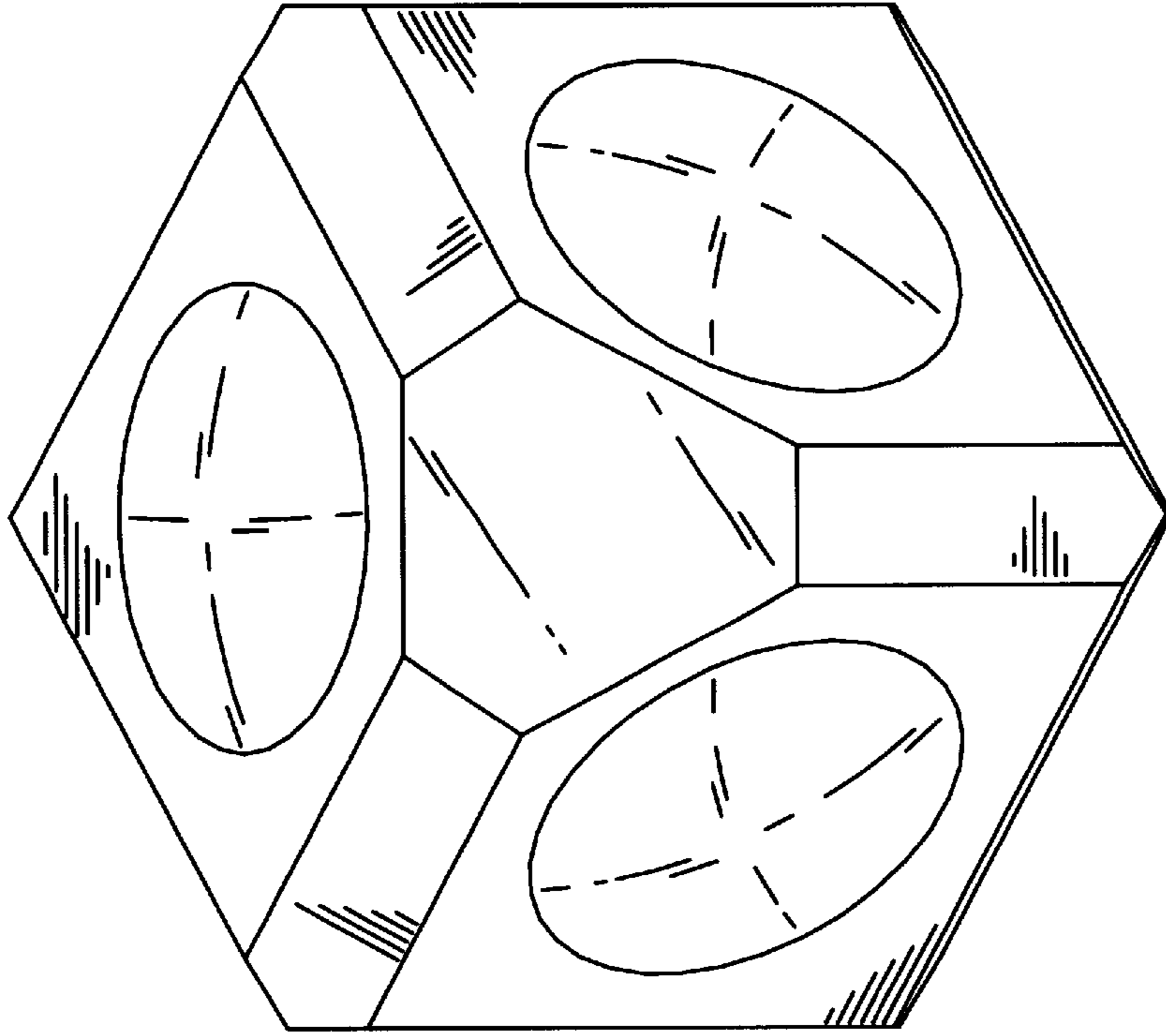


Fig. 6

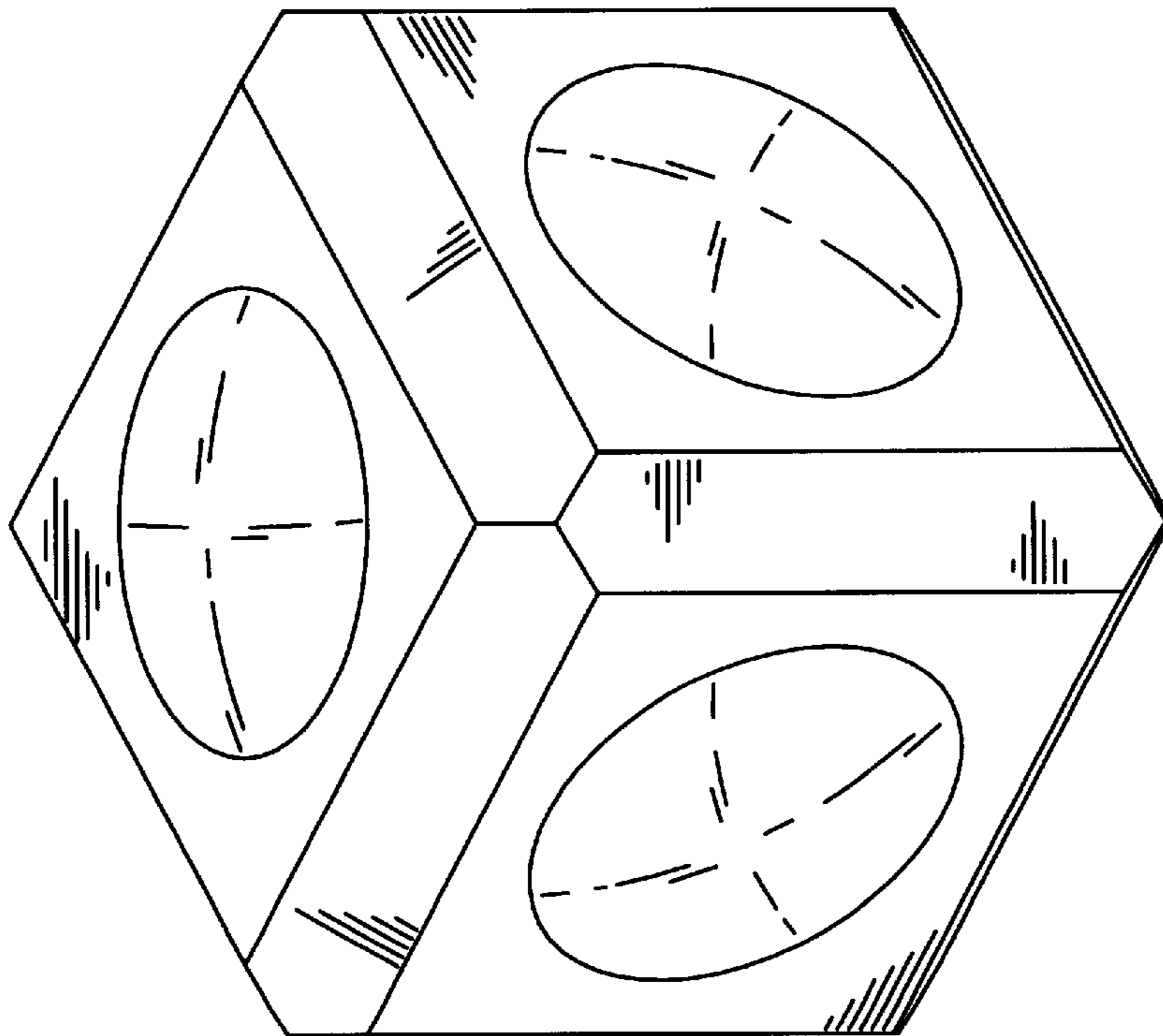


Fig. 5

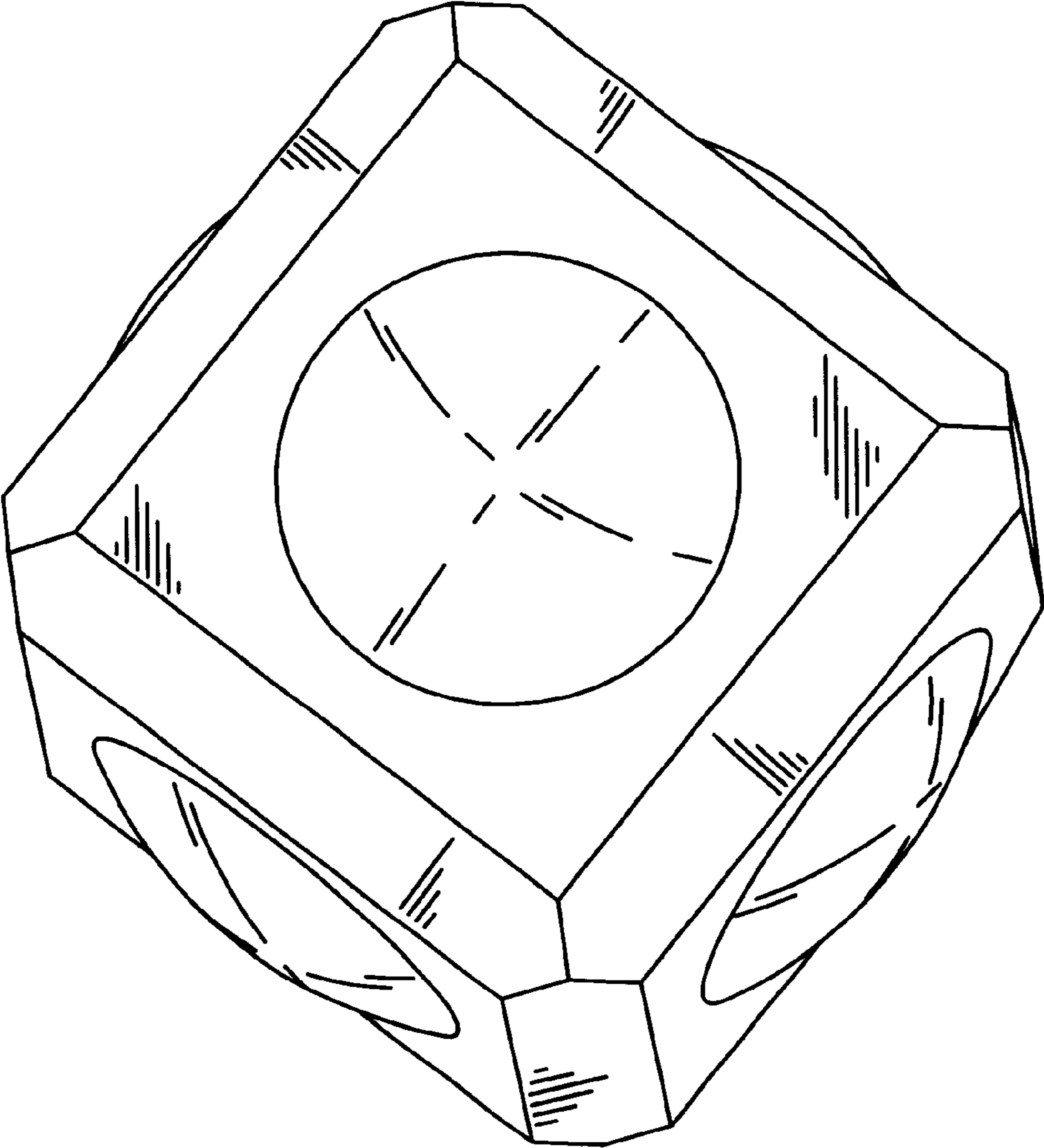


Fig. 7