

US00D495265S1

(12) **United States Design Patent**
Kim

(10) **Patent No.:** **US D495,265 S**
(45) **Date of Patent:** **** Aug. 31, 2004**

(54) **LOWER BODY OF FLOAT GAUGE HEAD**

(75) **Inventor:** **Young Rae Kim**, Kyoungki-do (KR)

(73) **Assignee:** **Dymco Co., Ltd.**, Kyoungki-do (KR)

(**) **Term:** **14 Years**

(21) **Appl. No.:** **29/188,374**

(22) **Filed:** **Aug. 18, 2003**

(30) **Foreign Application Priority Data**

Feb. 14, 2003 (KR) 30-2003-0003899

(51) **LOC (7) Cl.** **10-04**

(52) **U.S. Cl.** **D10/101**

(58) **Field of Search** D10/101, 103;
73/322, 322.5, 309, 290 R, 305-307

(56) **References Cited**

U.S. PATENT DOCUMENTS

D313,949 S * 1/1991 Fekete D10/101
D399,444 S * 10/1998 Ross, Jr. D10/103

6,041,650 A * 3/2000 Swindler et al. 73/317
6,089,086 A * 7/2000 Swindler et al. 73/317
6,170,328 B1 * 1/2001 Ross et al. 73/305
2003/0106371 A1 * 6/2003 Housey et al. 73/317

* cited by examiner

Primary Examiner—Antoine D. Davis

(74) *Attorney, Agent, or Firm*—Darby & Darby

(57) **CLAIM**

The ornamental design for an lower body of float gauge head, as shown and described.

DESCRIPTION

FIG. 1 is a perspective view of a lower body of float gauge head, showing my new design;
FIG. 2 is a front elevational view thereof;
FIG. 3 is a rear elevational view thereof;
FIG. 4 is a left side elevational view thereof;
FIG. 5 is a right side elevational view thereof;
FIG. 6 is a top plan view thereof; and,
FIG. 7 is a bottom plan view thereof.

1 Claim, 4 Drawing Sheets

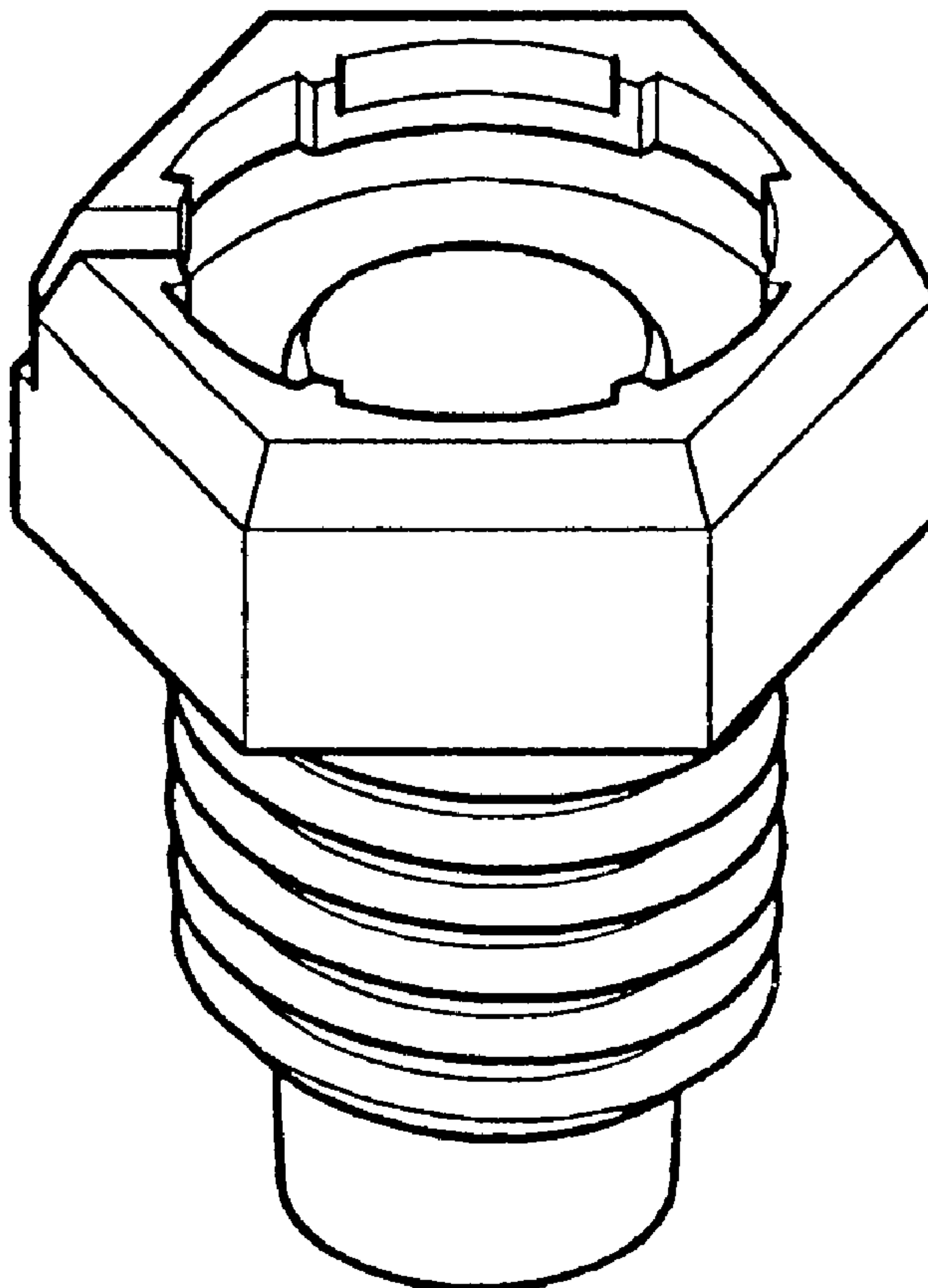


FIG. 1

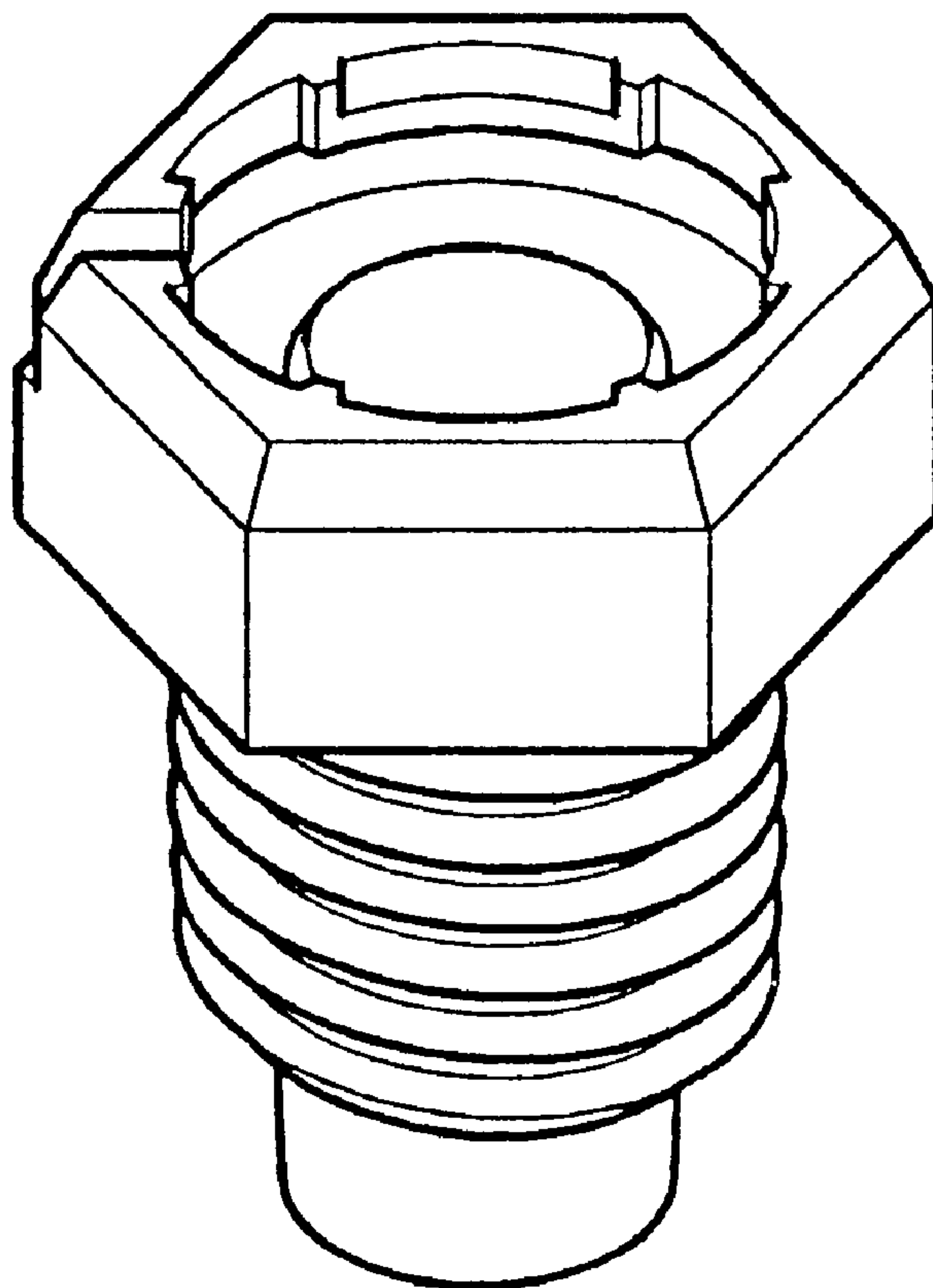


FIG. 2

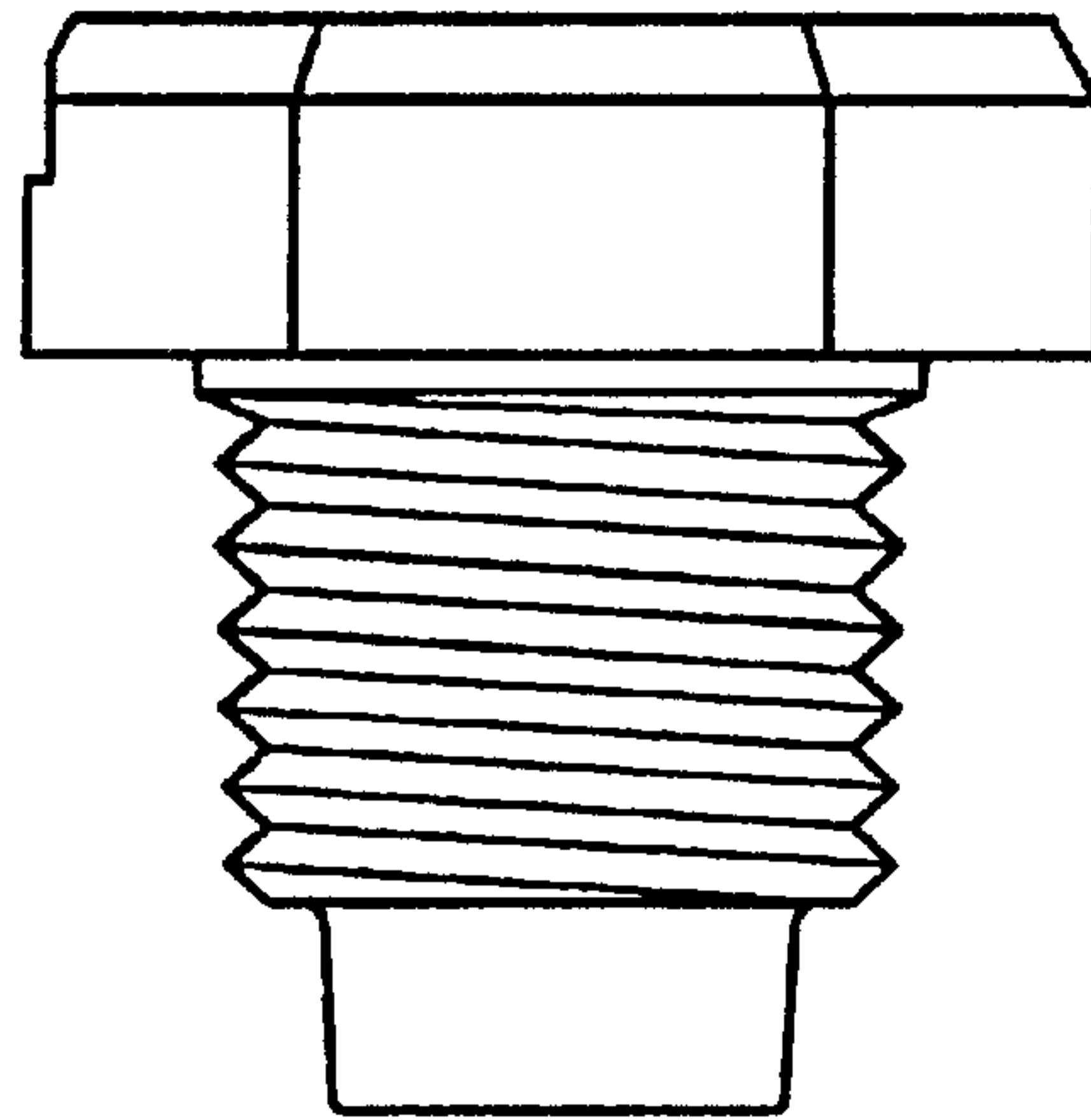


FIG. 3

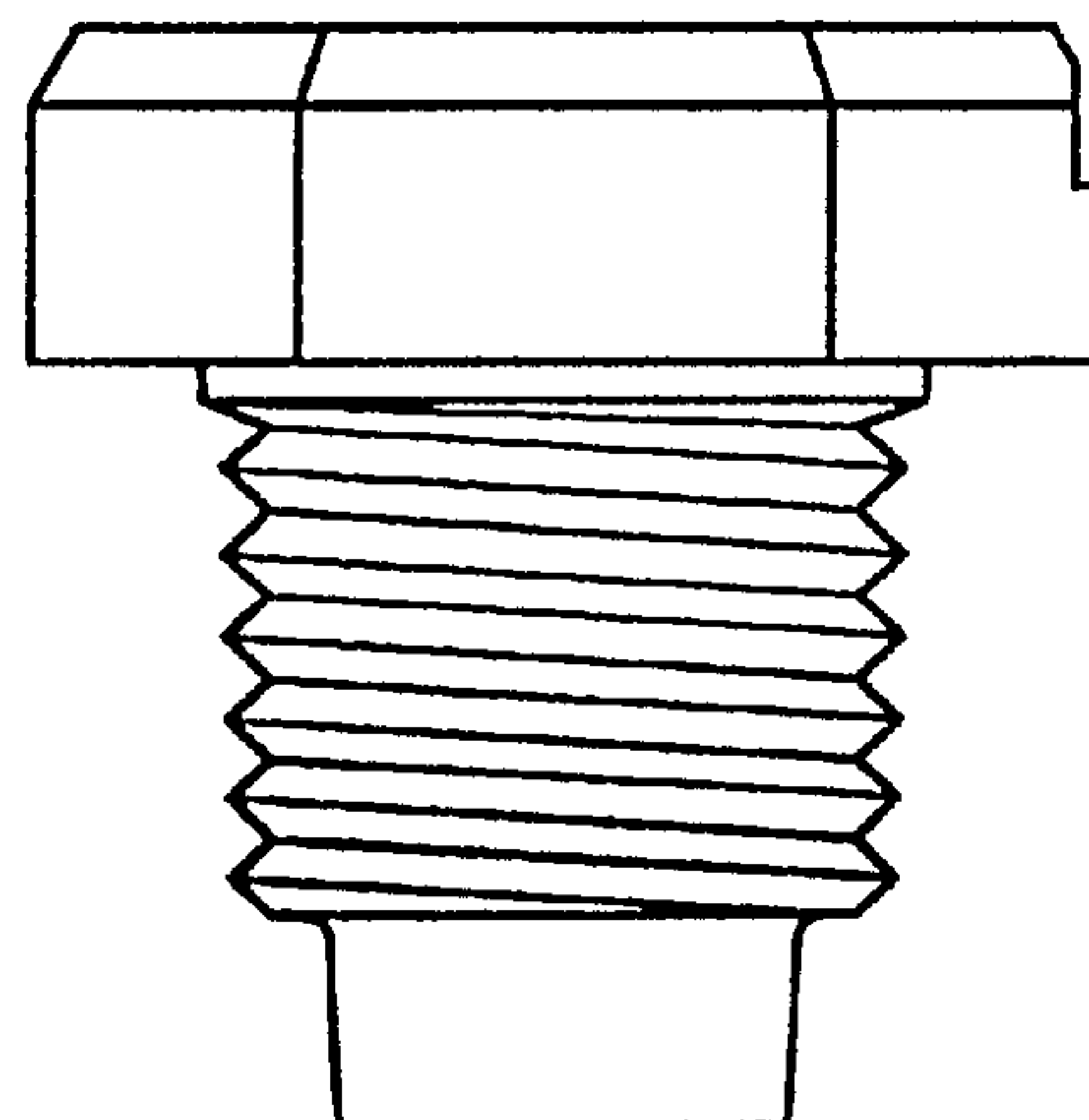


FIG. 4

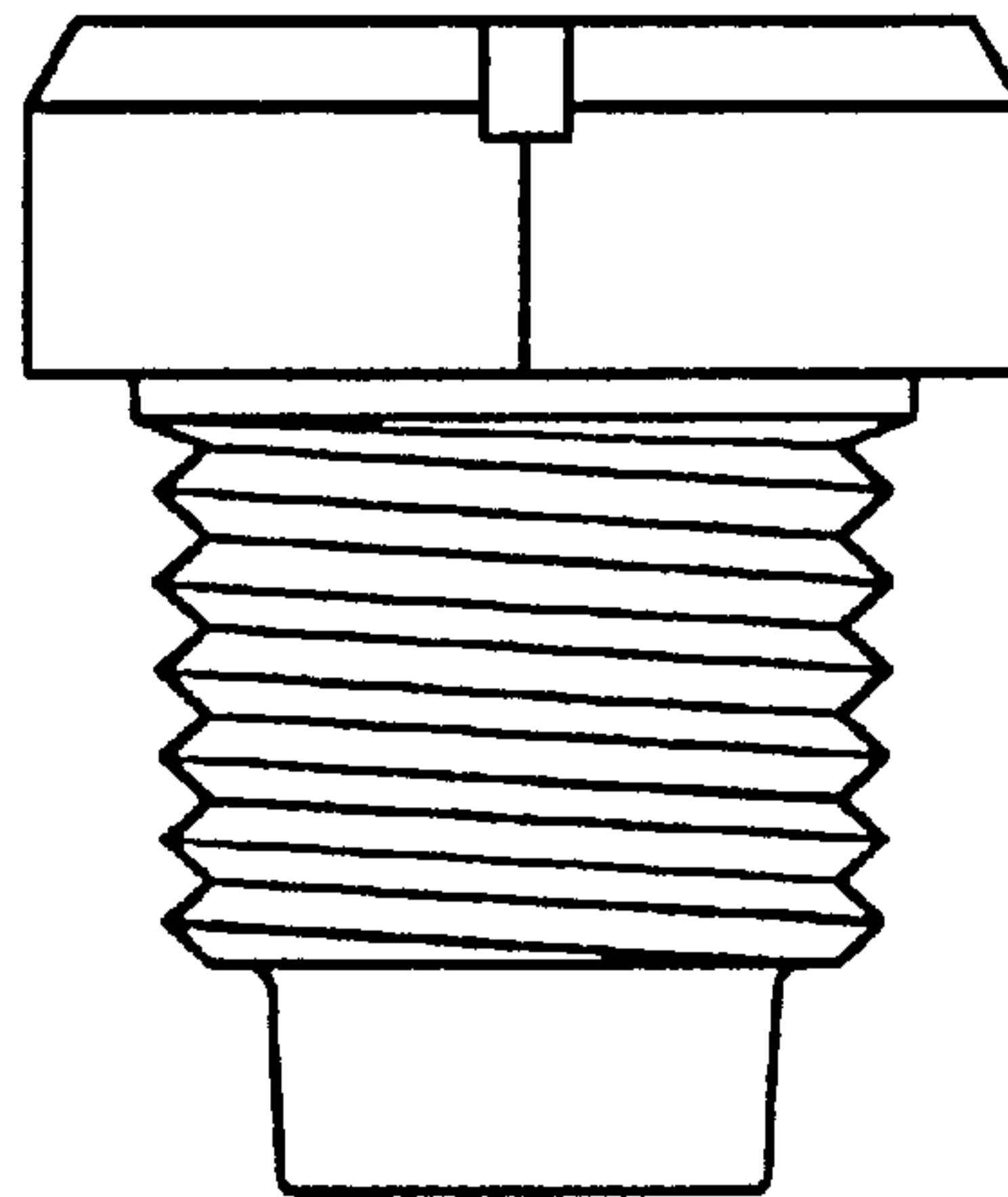


FIG. 5

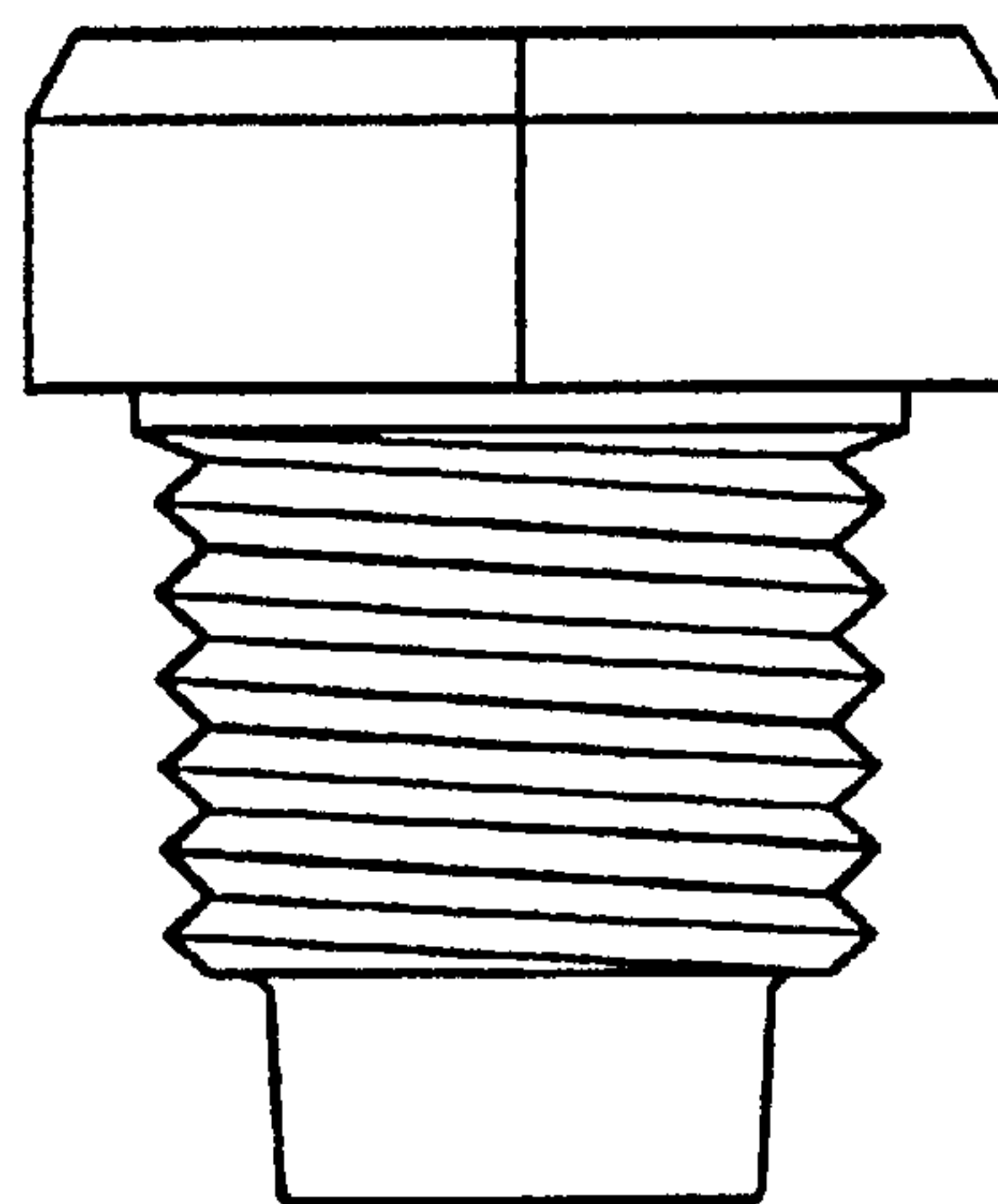


FIG. 6

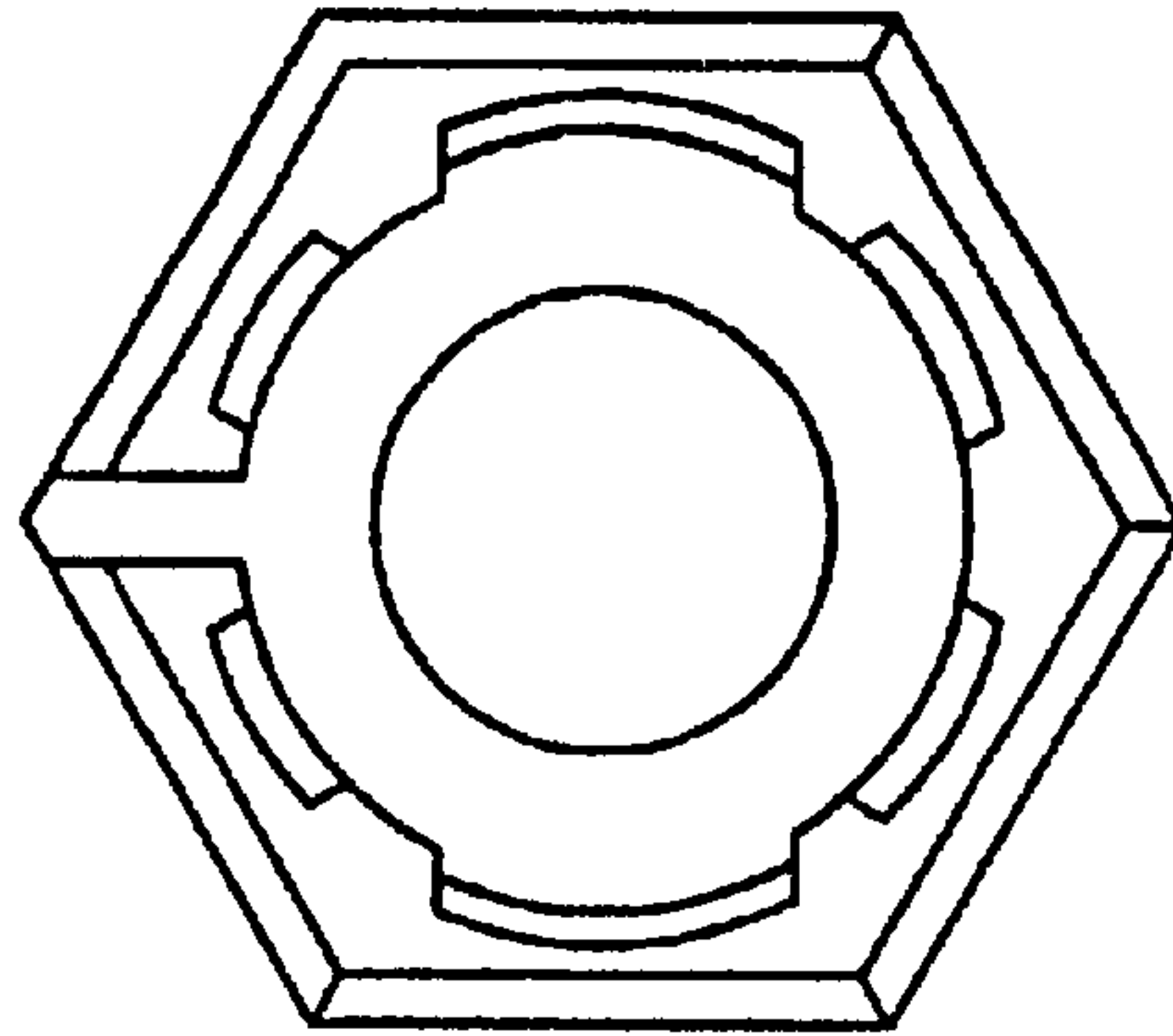
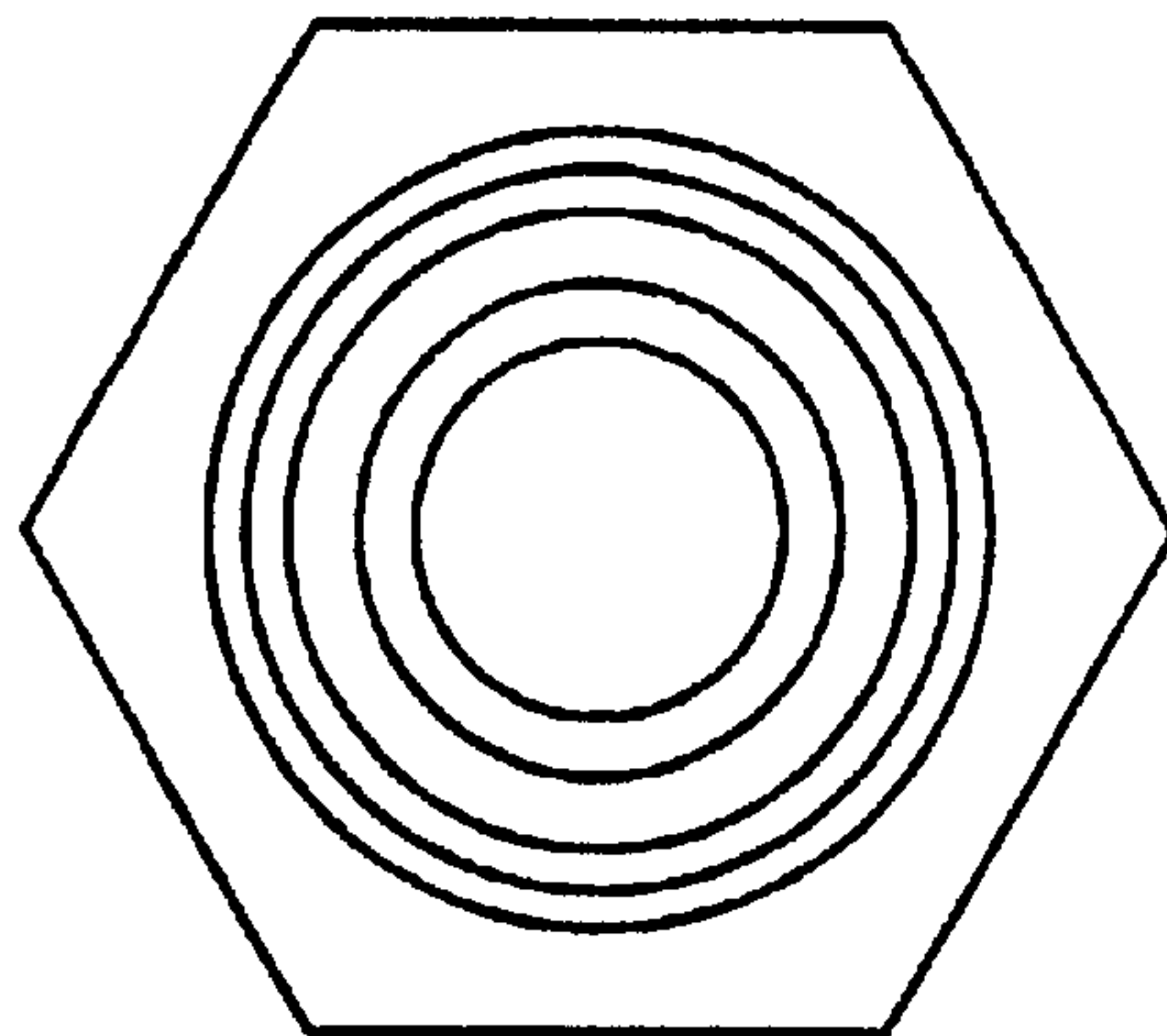


FIG. 7



UNITED STATES PATENT AND TRADEMARK OFFICE
CERTIFICATE OF CORRECTION

PATENT NO. : Des. 495,265 S
APPLICATION NO. : 29/188374
DATED : August 31, 2004
INVENTOR(S) : Young R. Kim

Page 1 of 1

It is certified that error appears in the above-identified patent and that said Letters Patent is hereby corrected as shown below:


On the Title Page, Item (22)

In the Filing Date:

Delete "August 18, 2003" and substitute -- August 14, 2003 --.

Signed and Sealed this

Eighteenth Day of September, 2007

A handwritten signature in black ink on a light gray dotted background. The signature reads "Jon W. Dudas" in a cursive style.

JON W. DUDAS

Director of the United States Patent and Trademark Office