

US00D495264S1

(12) **United States Design Patent**
Chudek et al.

(10) **Patent No.:** **US D495,264 S**
(45) **Date of Patent:** **** Aug. 31, 2004**

(54) **PICK UP RULER**

(75) Inventors: **Chris Chudek**, Atlanta, GA (US);
Marta Phillips, Fairfield, CT (US)

(73) Assignee: **Acme United Corporation**, Fairfield,
CT (US)

(**) Term: **14 Years**

(21) Appl. No.: **29/187,531**

(22) Filed: **Aug. 1, 2003**

(51) **LOC (7) Cl.** **10-04**

(52) **U.S. Cl.** **D10/71**

(58) **Field of Search** D10/71; 33/484-485

(56) **References Cited**

U.S. PATENT DOCUMENTS

566,195	A	*	8/1896	Smith	33/485
2,307,892	A	*	1/1943	Lowther	33/382
2,543,476	A	*	2/1951	Southern	33/484
D317,575	S	*	6/1991	Ramsey	D10/71
D338,635	S	*	8/1993	Spindler et al.	D10/64

D340,060	S	*	10/1993	Emerich	D15/141
5,615,488	A	*	4/1997	Brady	33/484
5,842,402	A	*	12/1998	Collier	83/745
6,314,653	B1	*	11/2001	Iso	33/484

* cited by examiner

Primary Examiner—Antoine D. Davis

(74) *Attorney, Agent, or Firm*—Ohlandt, Greeley, Ruggiero
& Perle, LLP

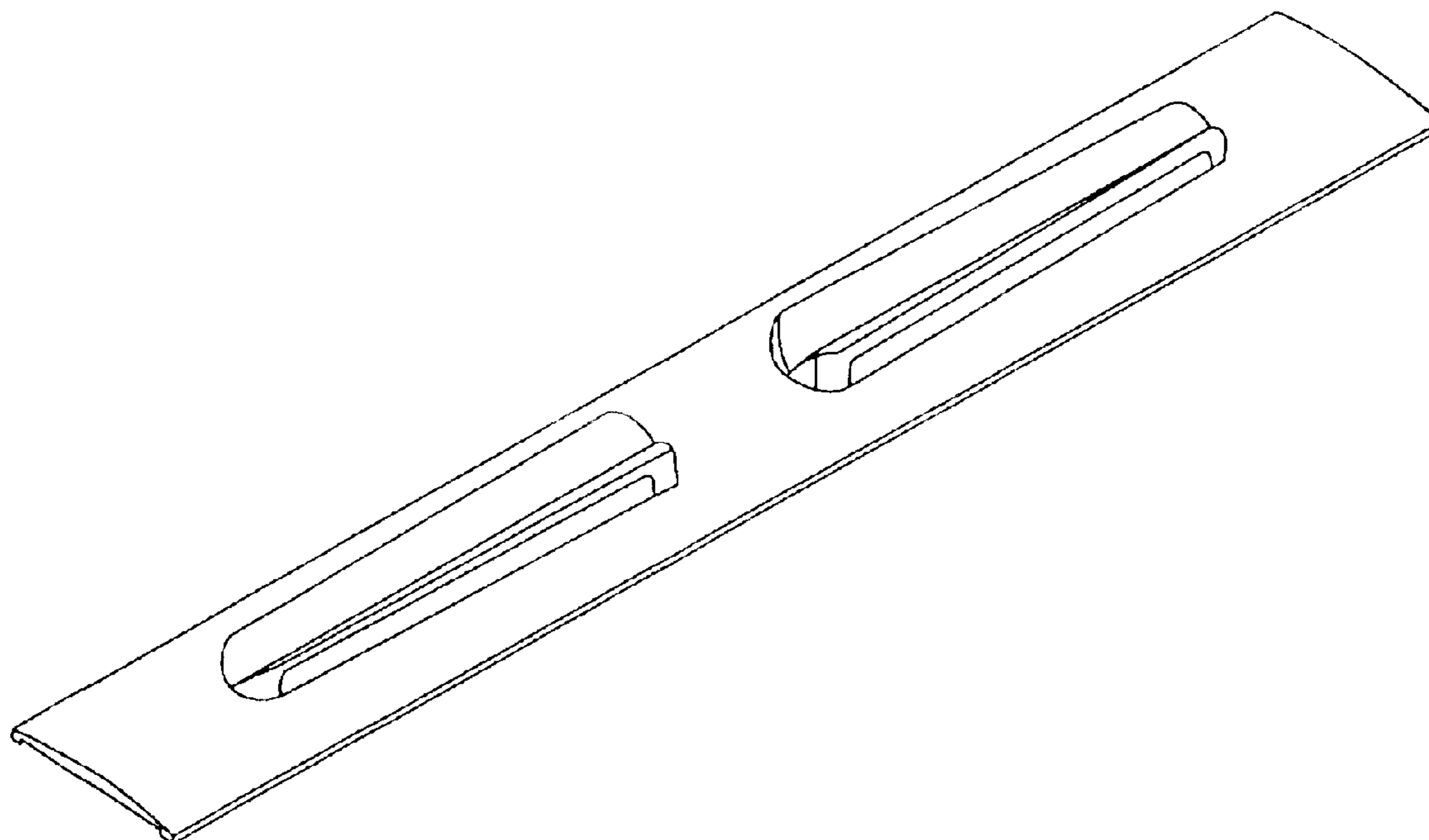
(57) **CLAIM**

The ornamental design for pick up ruler, as shown and described.

DESCRIPTION

FIG. 1 is a perspective view of a ruler having handles according to the present invention; FIG. 2 is a top view of the ruler of FIG. 1; FIG. 3 is a side view of the ruler of FIG. 1, with the opposite side being identical; and, FIG. 4 is an end view of the ruler of FIG. 1, with the opposite side being identical.

1 Claim, 2 Drawing Sheets



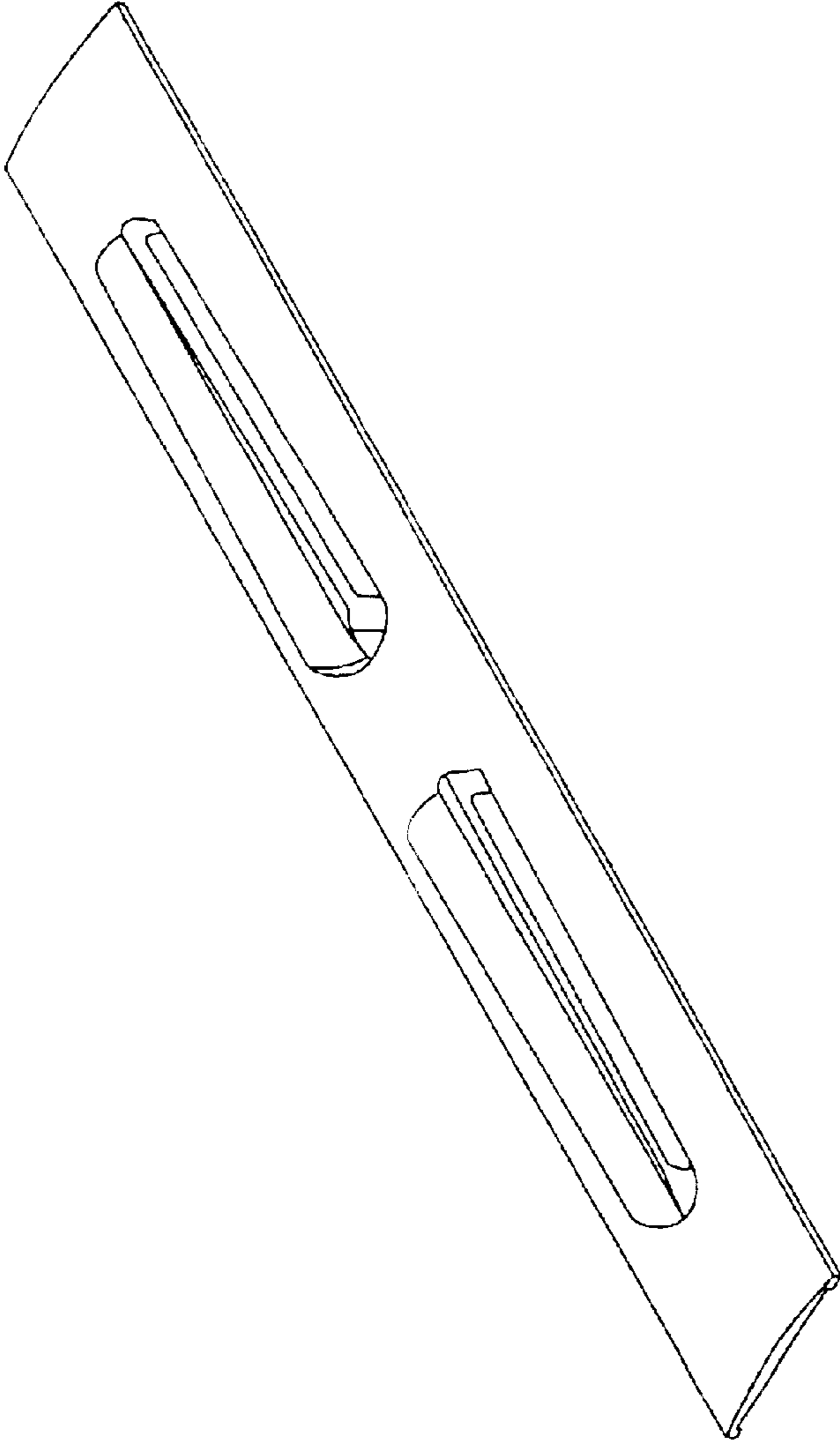


Fig. 1

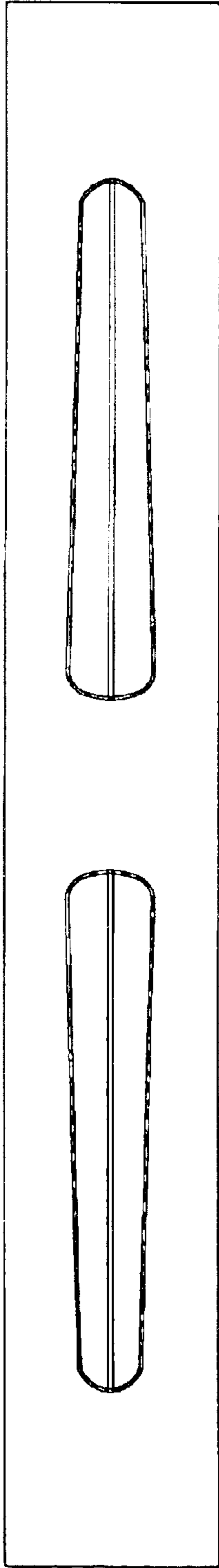


Fig. 2



Fig. 3



Fig. 4