



US00D495263S1

(12) **United States Design Patent**  
**Liao**

(10) **Patent No.:** **US D495,263 S**  
(45) **Date of Patent:** **\*\* Aug. 31, 2004**

(54) **LEVELING DEVICE**

(75) **Inventor:** **Wen-Hsin Liao, Ta Li (TW)**  
(73) **Assignee:** **Ching Lin Industrial Co., Ltd., Ta Li (TW)**

(\*\*) **Term:** **14 Years**

(21) **Appl. No.:** **29/192,316**

(22) **Filed:** **Oct. 22, 2003**

(51) **LOC (7) Cl. .... 10-04**

(52) **U.S. Cl. .... D10/69**

(58) **Field of Search** ..... D10/69, 65, 74;  
33/285, 286, 290, 291, 292, 227, 348, 348.2,  
379-383; 356/247, 248, 249, 250, 138

(56) **References Cited**

**U.S. PATENT DOCUMENTS**

1,822,740	A	*	9/1931	Gallasch et al. ....	33/348
5,075,977	A	*	12/1991	Rando .....	33/227
5,182,863	A	*	2/1993	Rando .....	33/227
D334,348	S	*	3/1993	Doyle .....	D10/65
5,594,993	A	*	1/1997	Tager et al. ....	33/227

**OTHER PUBLICATIONS**

Cole Parmer Industrial Advantage Catalog, 2001/2002, p. 546, item C, Digital laser level with built-in angle adapter.\*

\* cited by examiner

*Primary Examiner*—Lucy Lieberman

(74) *Attorney, Agent, or Firm*—Alan D. Kamrath; Nikolai & Mersereau, P.A.

(57) **CLAIM**

The ornamental design for a leveling device, as shown.

**DESCRIPTION**

FIG. 1 is a perspective view of a leveling device showing my new design;

FIG. 2 is a front view thereof;

FIG. 3 is a rear view thereof;

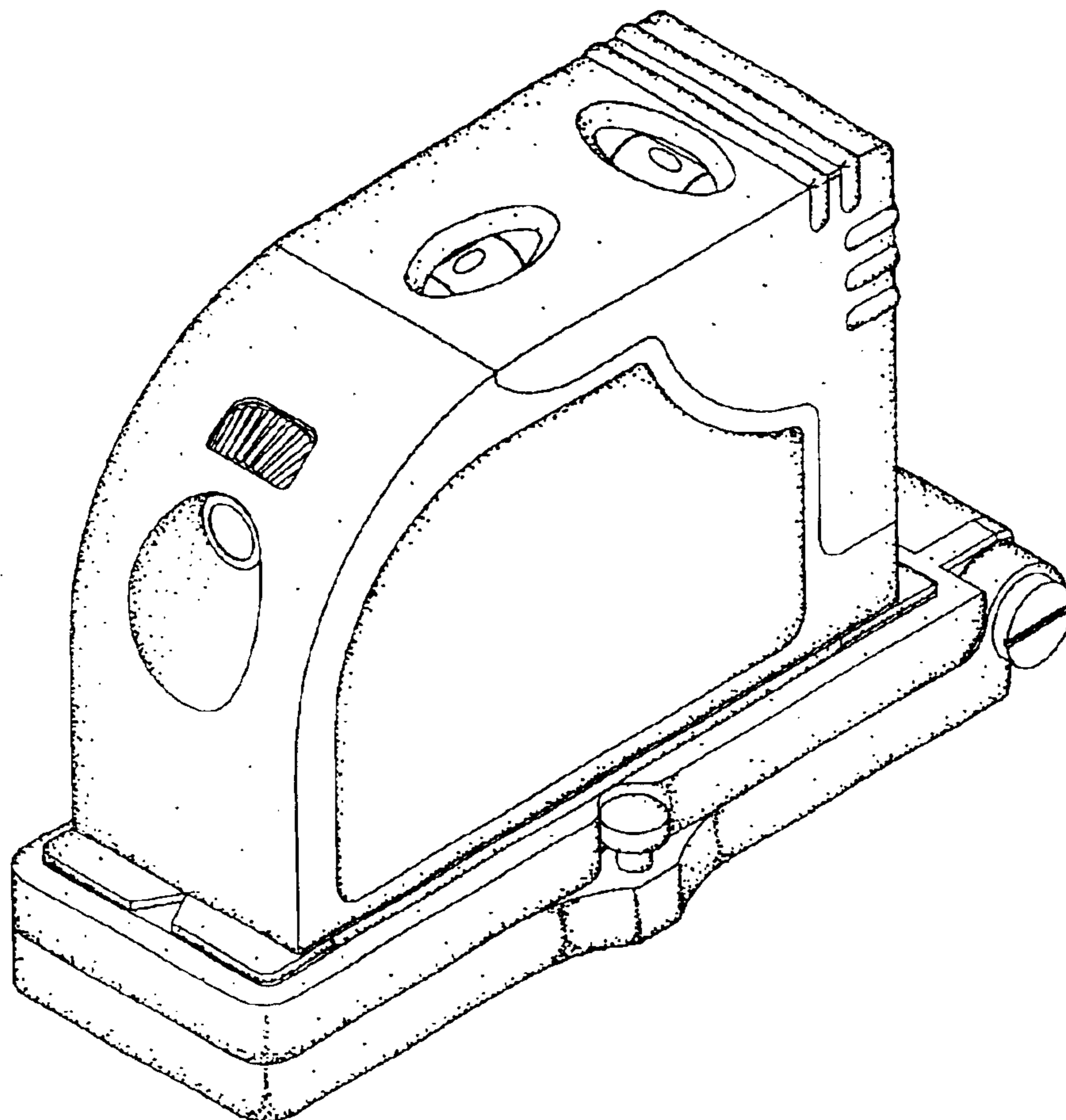
FIG. 4 is a right view thereof;

FIG. 5 is a left view thereof;

FIG. 6 is a top plan view thereof; and,

FIG. 7 is a bottom plan view thereof.

**1 Claim, 2 Drawing Sheets**



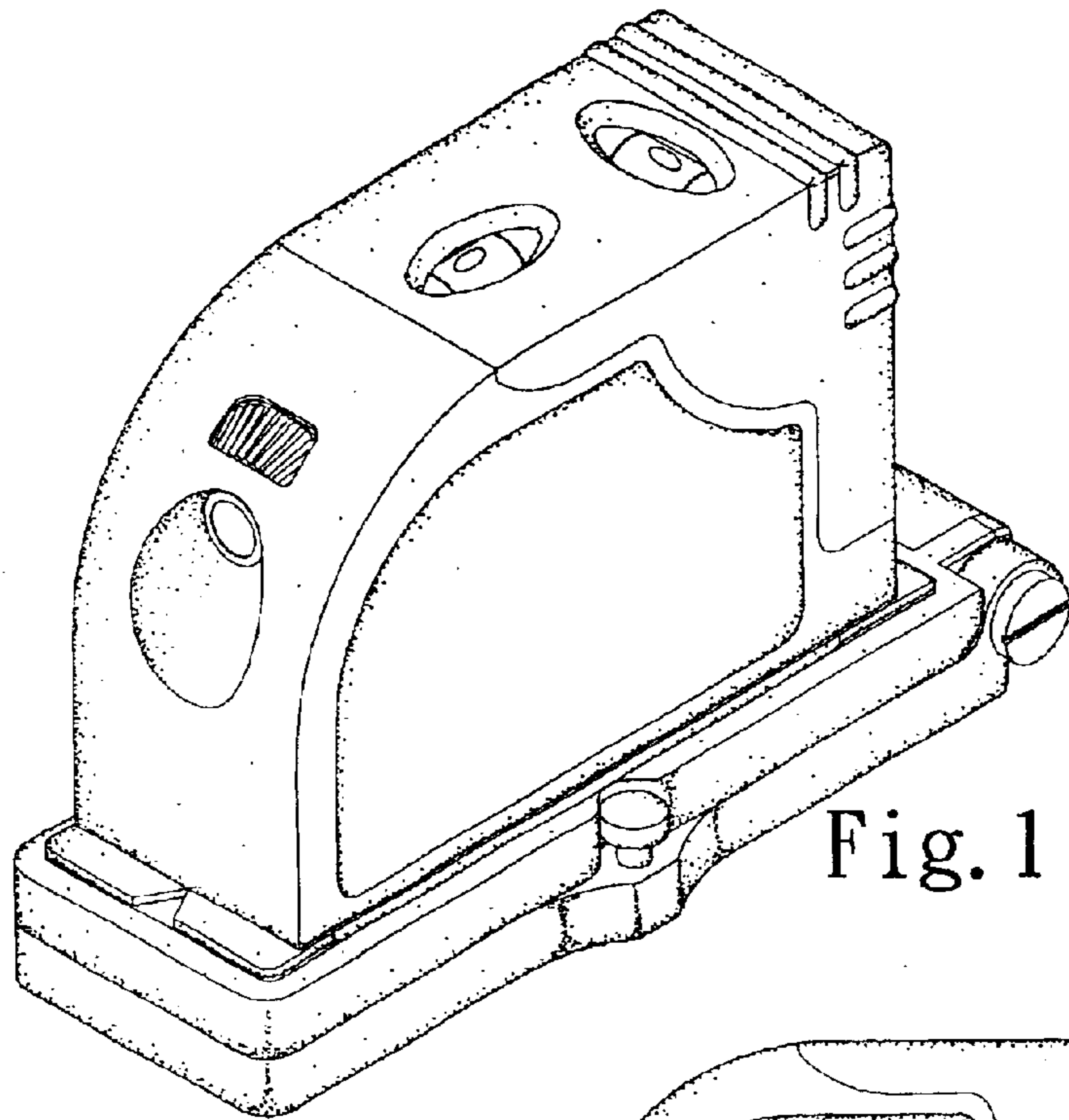


Fig. 1

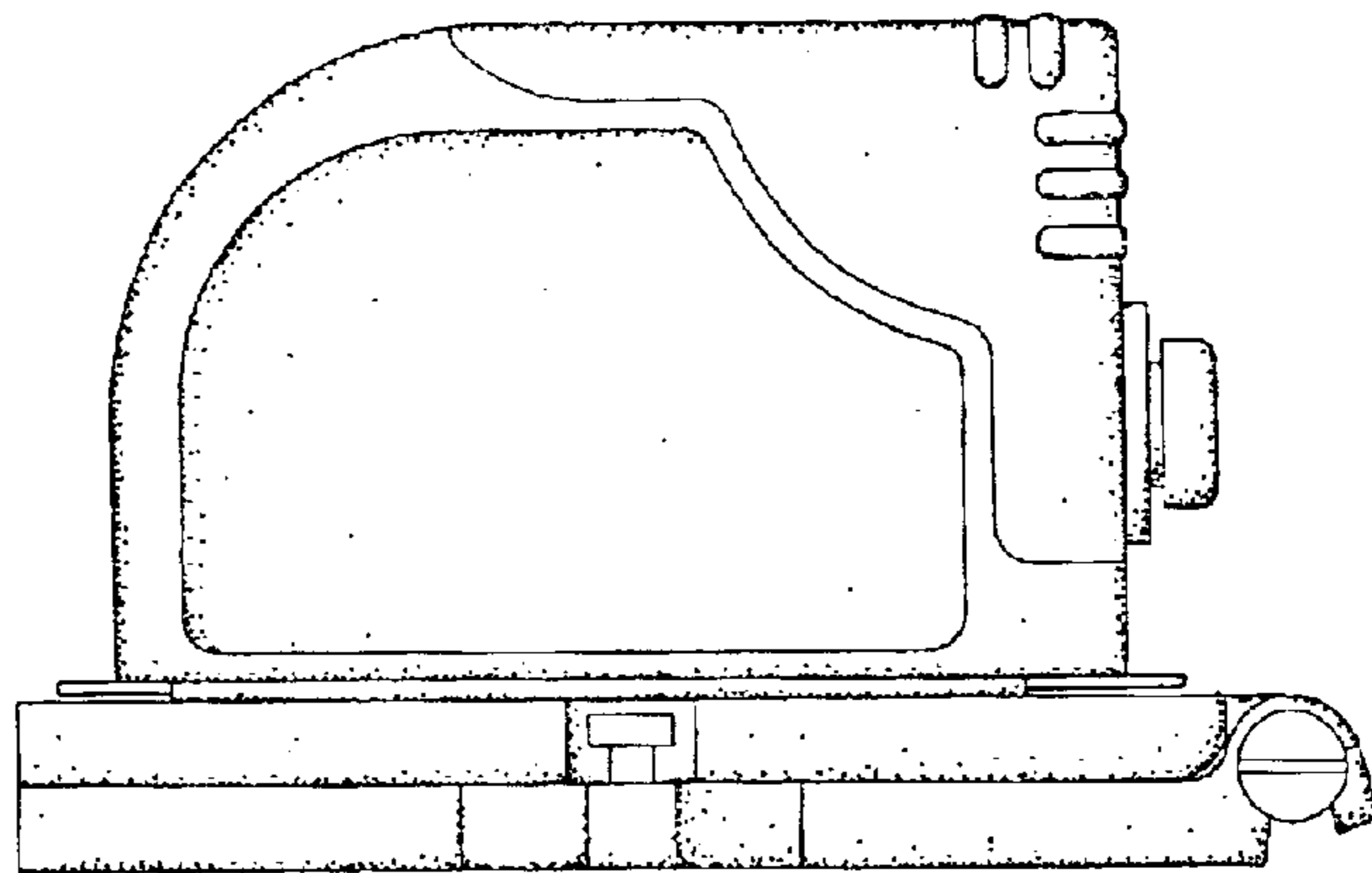


Fig. 2

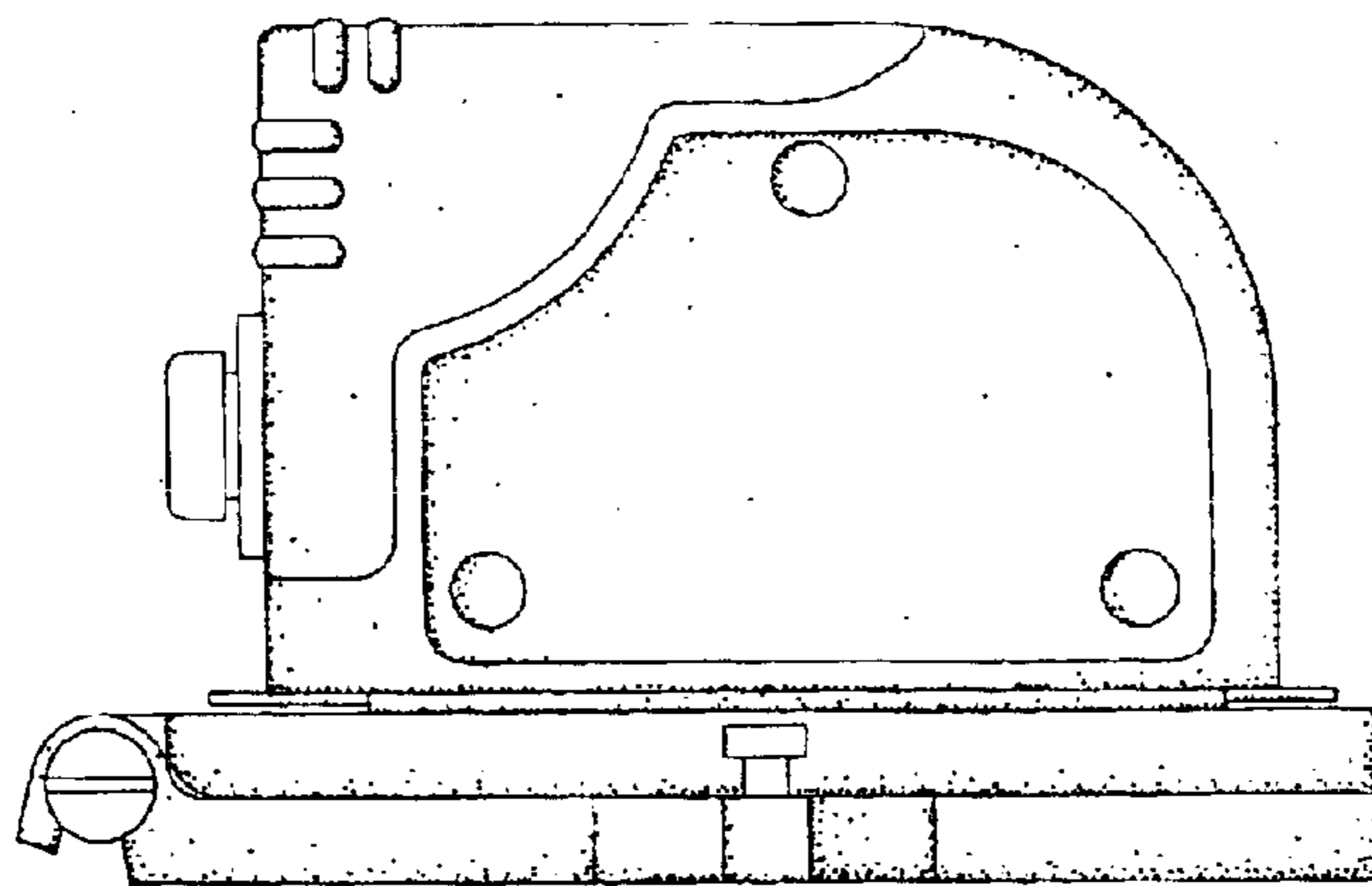


Fig. 3

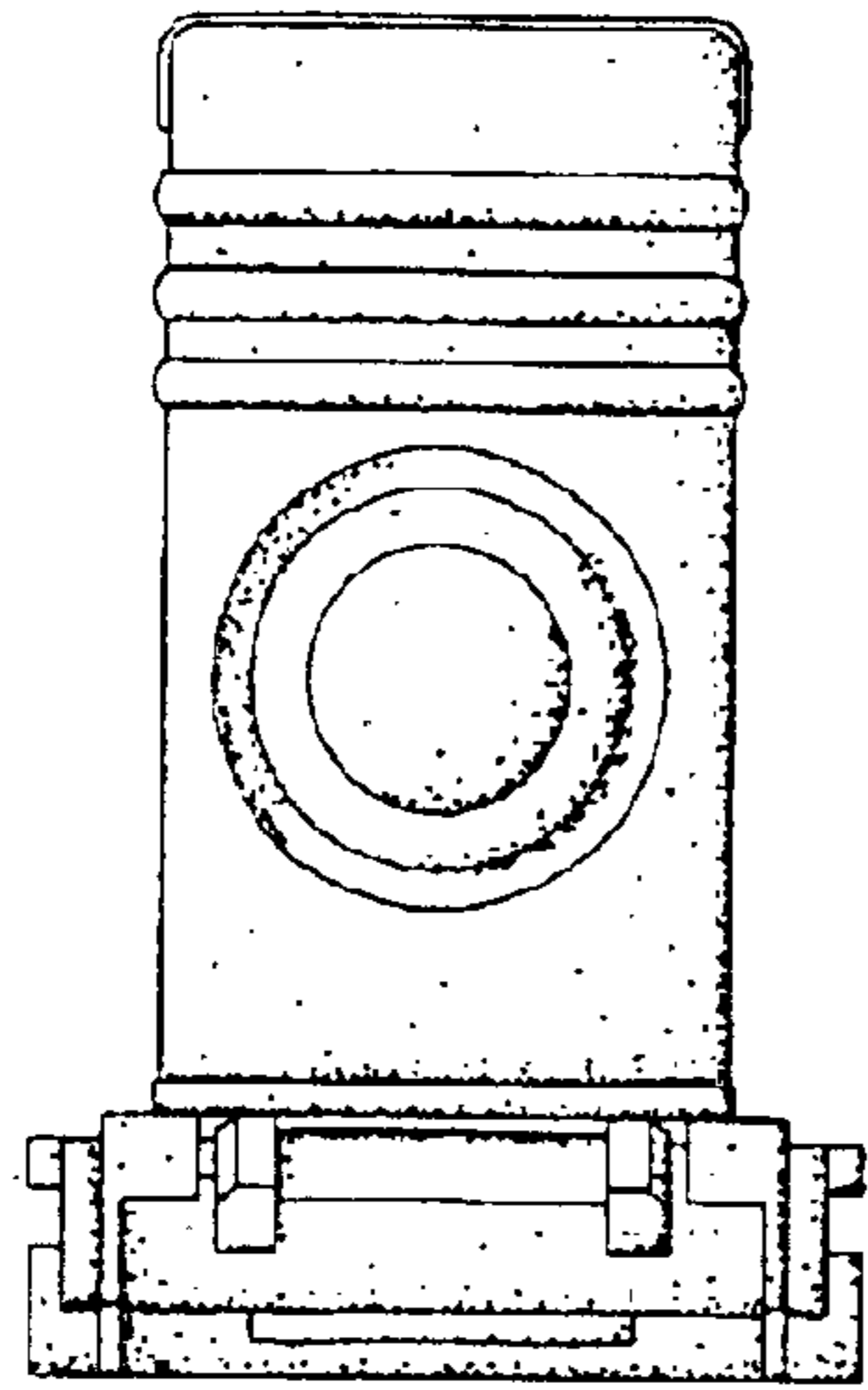


Fig. 4

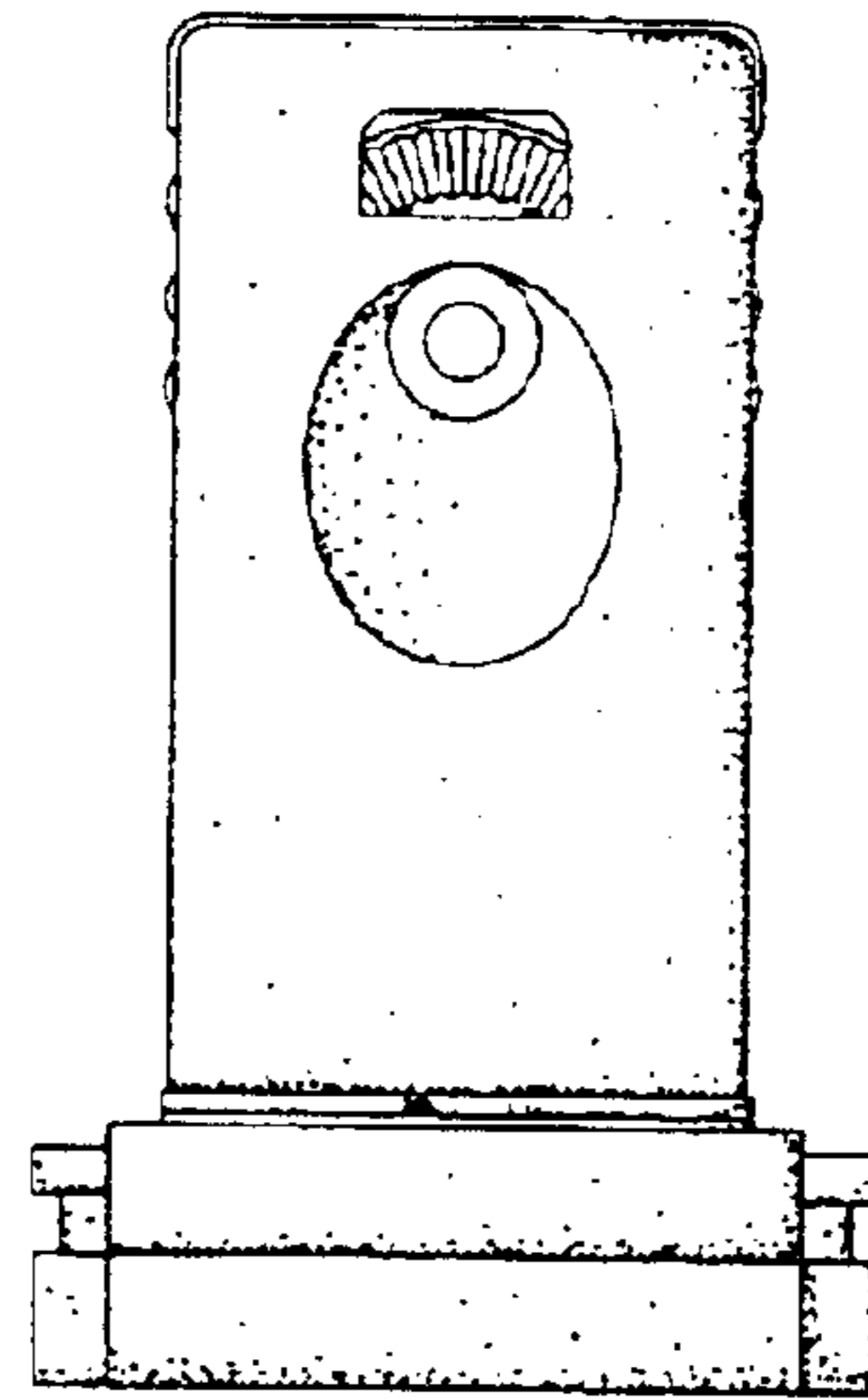


Fig. 5

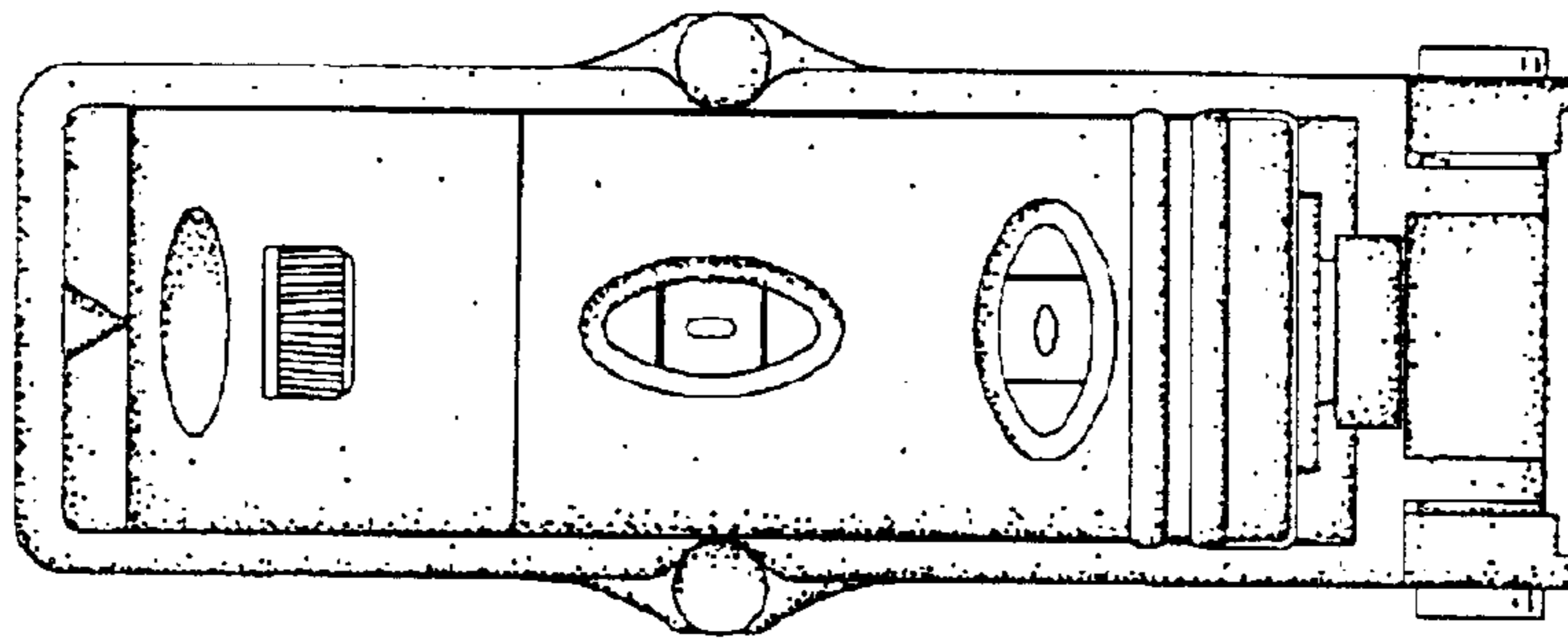


Fig. 6

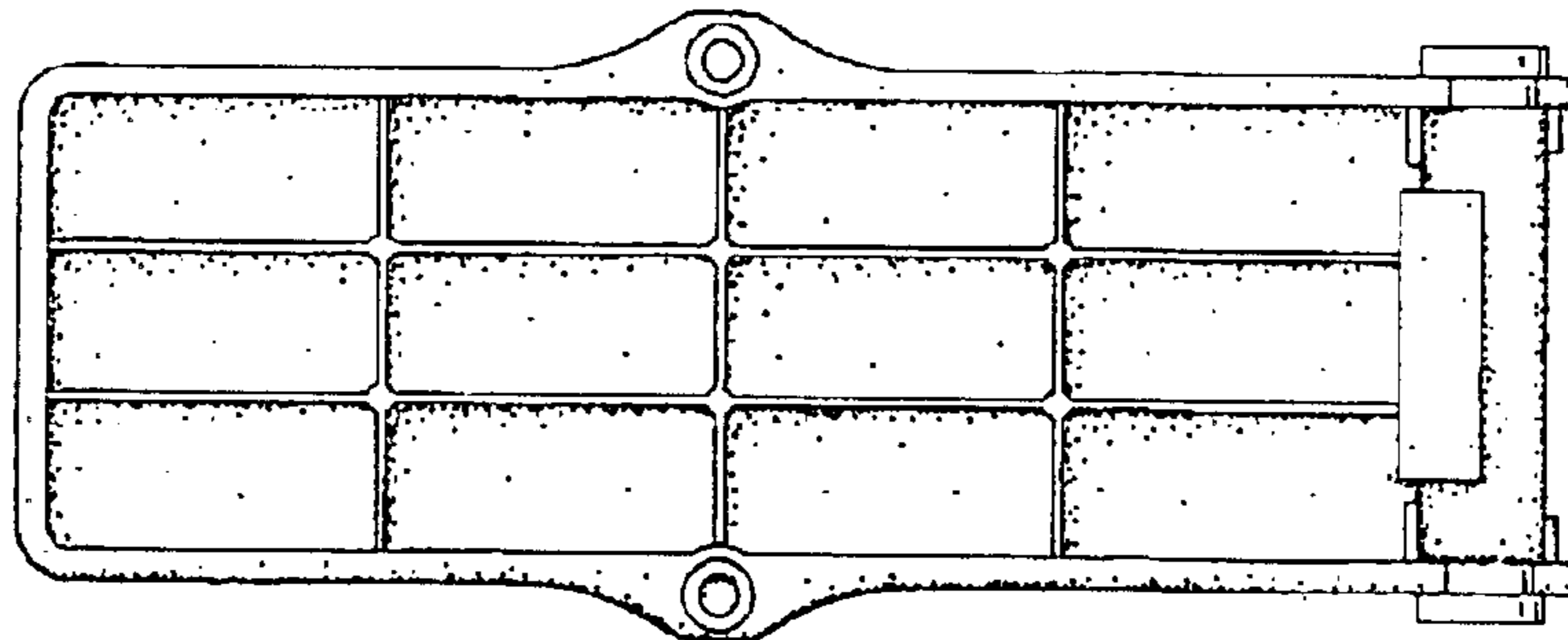


Fig. 7