



US00D495256S1

(12) **United States Design Patent** (10) **Patent No.:** **US D495,256 S**
Solowiejko (45) **Date of Patent:** **** Aug. 31, 2004**

(54) **DISPENSING CLOSURE WITH TAMPER EVIDENT TEAR STRIP**
(75) Inventor: **George Solowiejko**, Rockford, IL (US)
(73) Assignee: **J. L. Clark, Inc.**, Rockford, IL (US)
(**) Term: **14 Years**

(21) Appl. No.: **29/188,452**
(22) Filed: **Aug. 19, 2003**

(51) **LOC (7) Cl.** **09-07**
(52) **U.S. Cl.** **D9/449; D9/447; D9/435; D9/438**
(58) **Field of Search** D9/432, 435, 447, D9/449, 454, 450, 515, 438; D7/392, 401.1, 591, 596, 590; 222/480, 142.1, 142.3, 196.1, 196.3, 565, 556, 339, 450, 196.2; 220/254.3; 215/901, 235

4,732,293 A 3/1988 Landis
4,759,465 A 7/1988 Landis
D312,190 S * 11/1990 Ciaccio D7/596
5,052,572 A 10/1991 Pherigo
5,219,087 A 6/1993 Christensson
5,273,176 A 12/1993 Diaz
5,617,968 A 4/1997 Luburic
5,626,251 A 5/1997 Luburic et al.
5,934,495 A 8/1999 Chiodo
D448,295 S * 9/2001 Mozes D9/450
6,422,411 B1 7/2002 Gray
D464,567 S * 10/2002 Baerenwald et al. D9/432

* cited by examiner

Primary Examiner—Louis S. Zarfaz
Assistant Examiner—Gregory Andoll
(74) *Attorney, Agent, or Firm*—Leydig, Voit & Mayer Ltd.

(57) **CLAIM**

I claim the ornamental design for the dispensing closure with tamper evident tear strip, as shown and described.

(56) **References Cited**

U.S. PATENT DOCUMENTS

D28,605 S * 5/1898 Snyder D7/590
779,339 A 1/1905 Wulff
3,155,285 A * 11/1964 Baarn 222/480
D200,270 S * 2/1965 Waterman D9/450
D204,509 S * 4/1966 Waterman D9/450
3,251,509 A 5/1966 Foster
3,255,928 A 6/1966 Foster
3,322,308 A * 5/1967 Foster 222/480
3,370,757 A 2/1968 Foster
3,805,993 A 4/1974 Enzie et al.
4,024,976 A * 5/1977 Acton 215/901
4,437,593 A 3/1984 Bullock, III
4,463,869 A 8/1984 Lewis
D278,115 S * 3/1985 Leininger D7/392
4,592,480 A 6/1986 Hart et al.
4,610,371 A 9/1986 Karkiewicz
4,621,744 A 11/1986 Foster
4,658,980 A 4/1987 Lindstrom
4,660,735 A 4/1987 Peschardt et al.
4,669,630 A 6/1987 Kenyon, 2nd
4,682,706 A 7/1987 DeVore et al.
4,724,977 A 2/1988 Cleevely et al.

DESCRIPTION

FIG. 1 is a perspective view showing the dispensing closure with tamper evident tear strip according to the invention shown, for context, on a exemplary container;
FIG. 2 is a plan view showing the closure of FIG. 1;
FIG. 3 is a bottom view of the container with closure of FIG. 1;
FIG. 4 is a side elevational view, taken from the left of FIG. 2, showing the dispensing closure with tamper evident tear strip, with the container truncated;
FIG. 5 is a side elevational view, taken from the right in FIG. 2, with the container truncated as in FIG. 4;
FIG. 6 is a front elevational view, taken from the front in FIG. 2, emphasizing the connecting portions of the tamper evident tear strip on the closure, with the container truncated; and,
FIG. 7 is a rear view, opposite the view of FIG. 6, showing the closure with tamper evident tear strip.
The broken lines in the Figures are for illustrative purposes only and form no part of the claimed design.

1 Claim, 4 Drawing Sheets

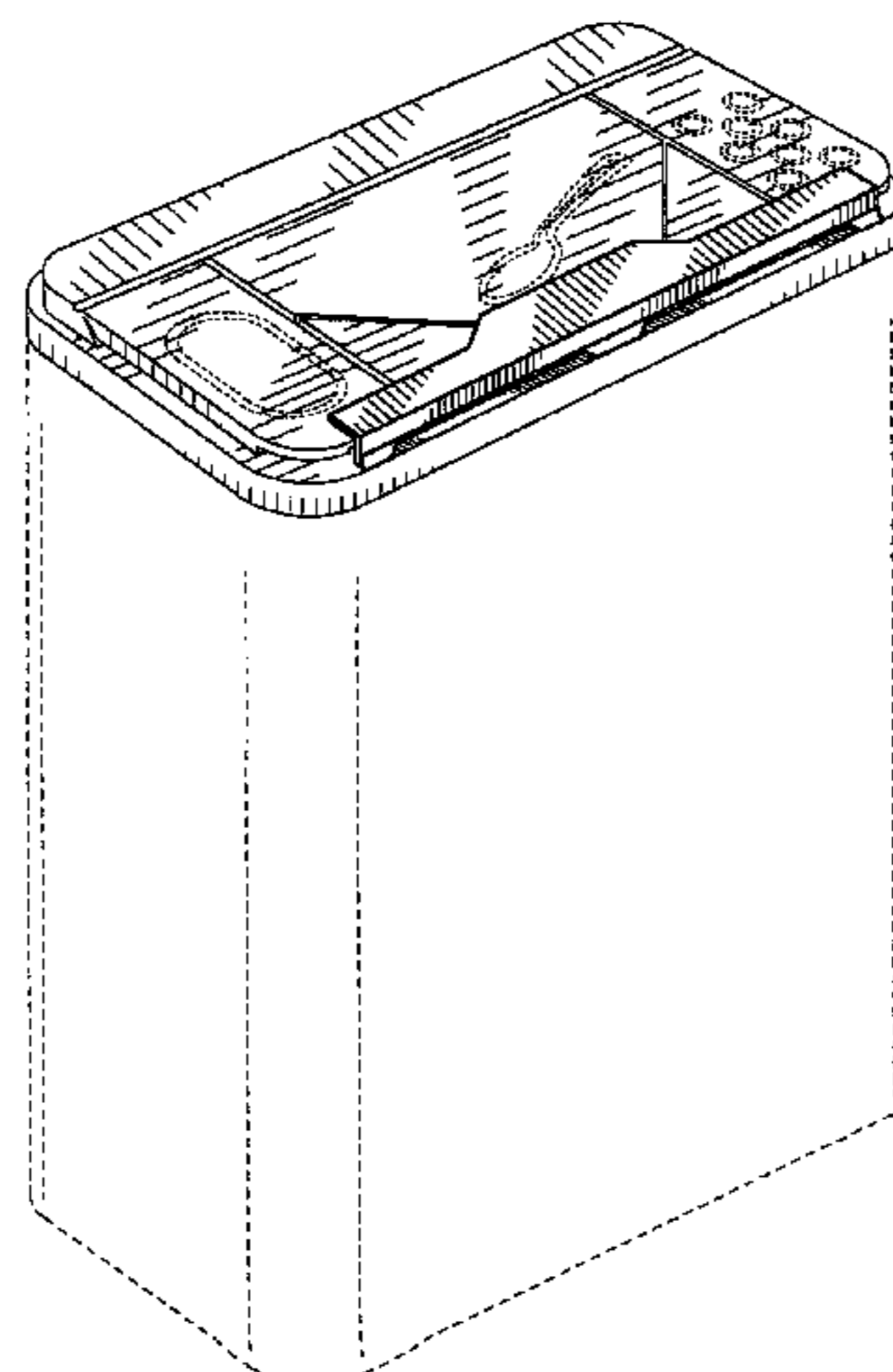


FIG. 1

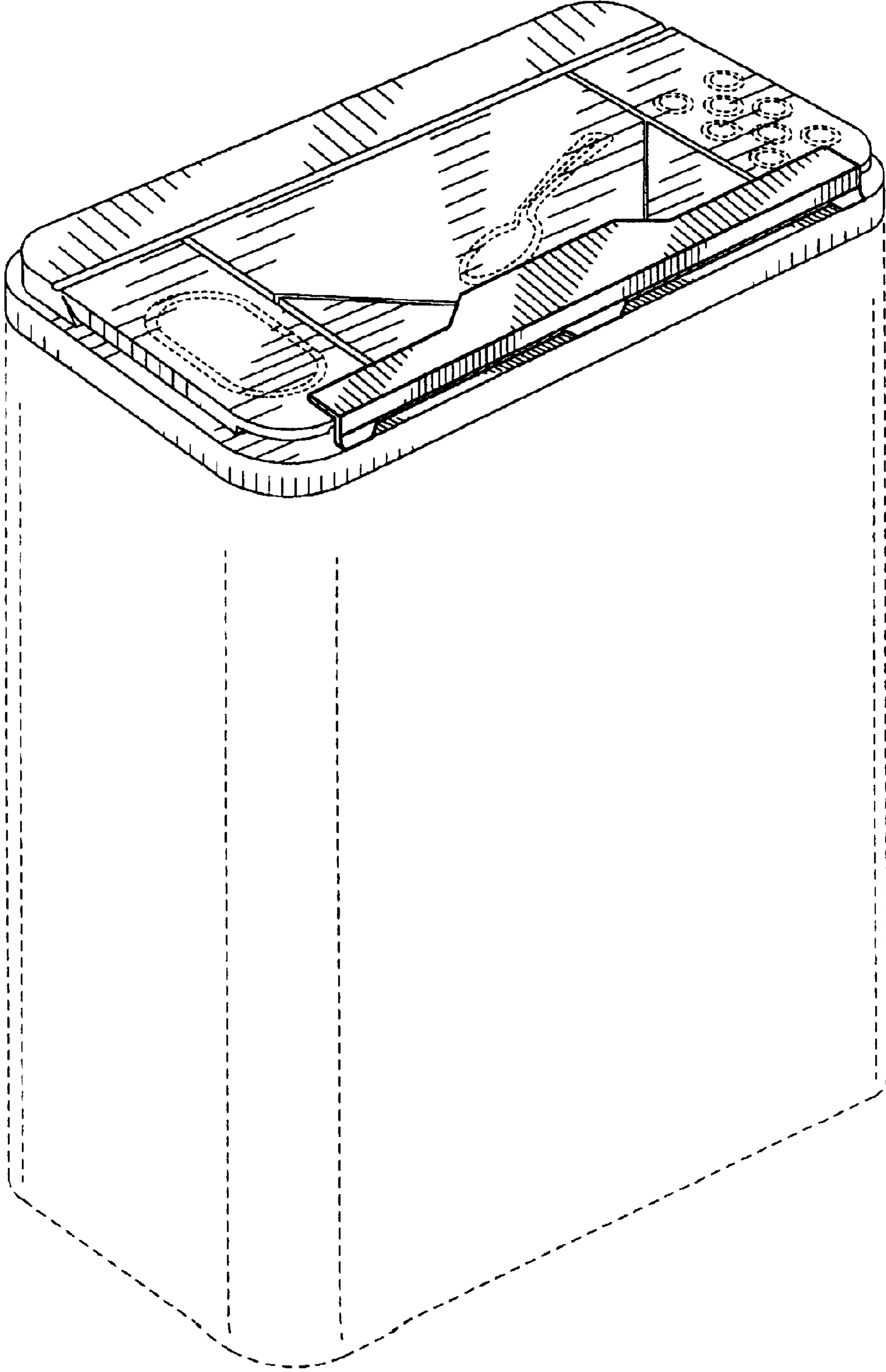


FIG. 2

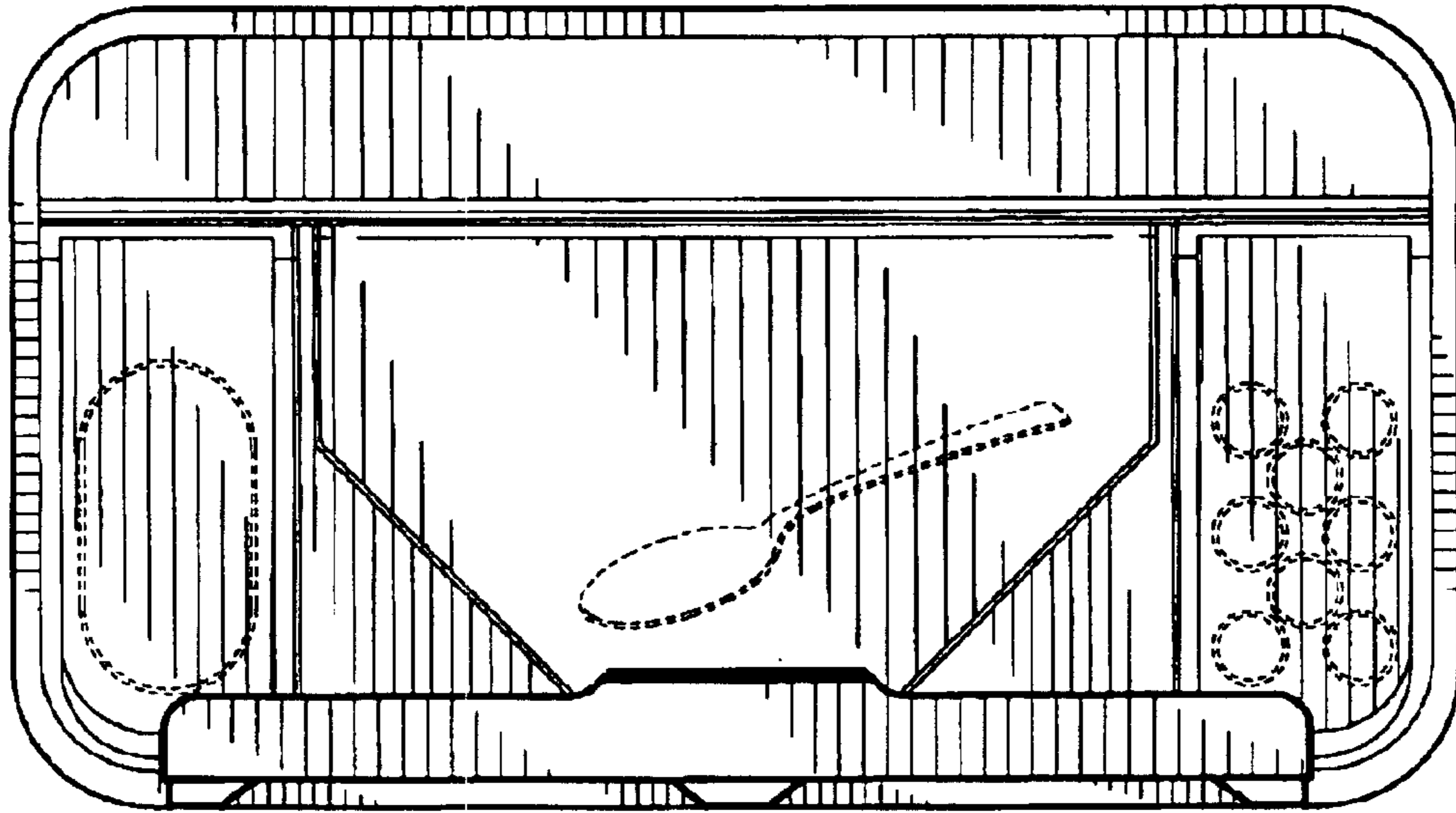


FIG. 3

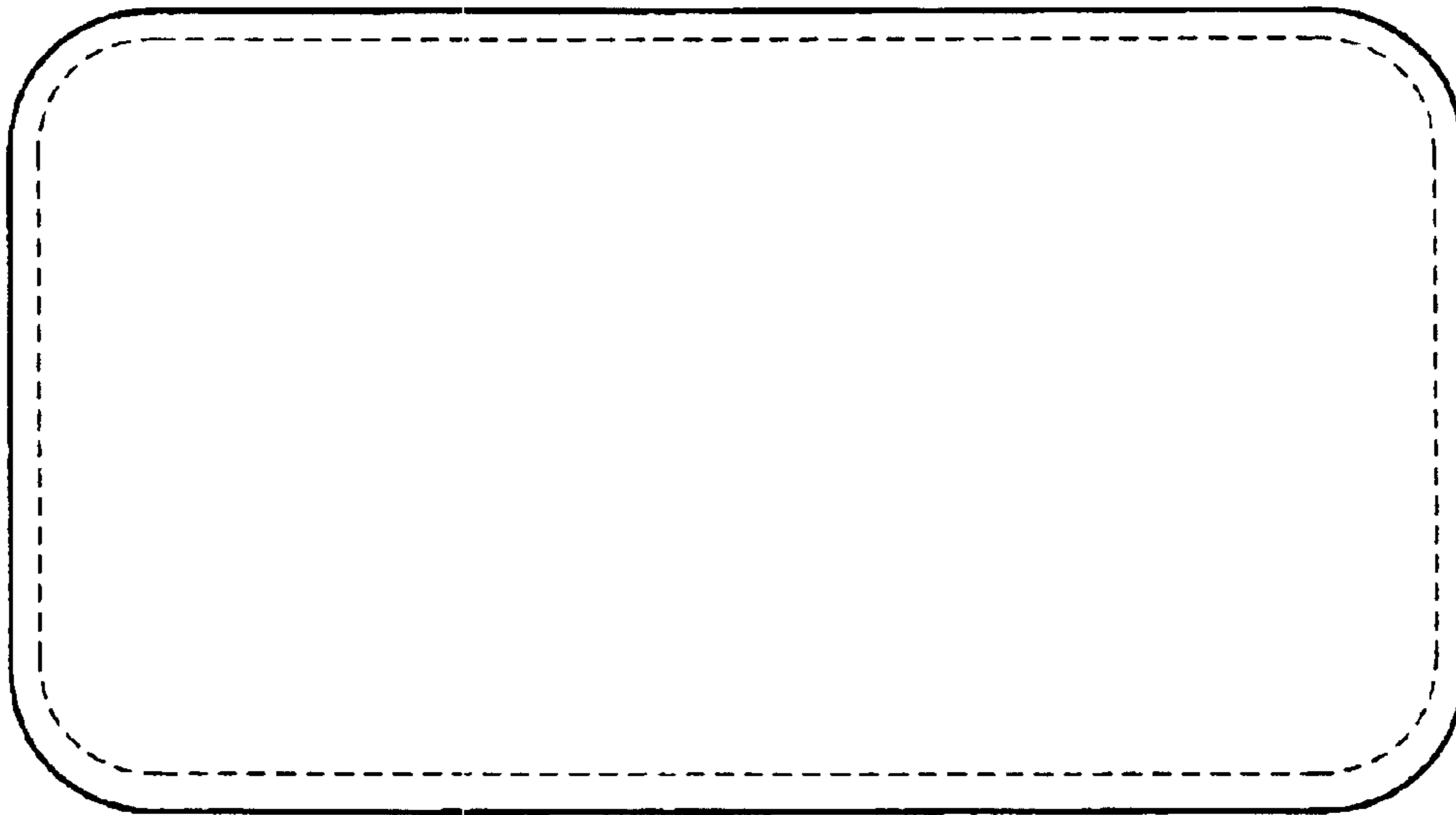


FIG. 4

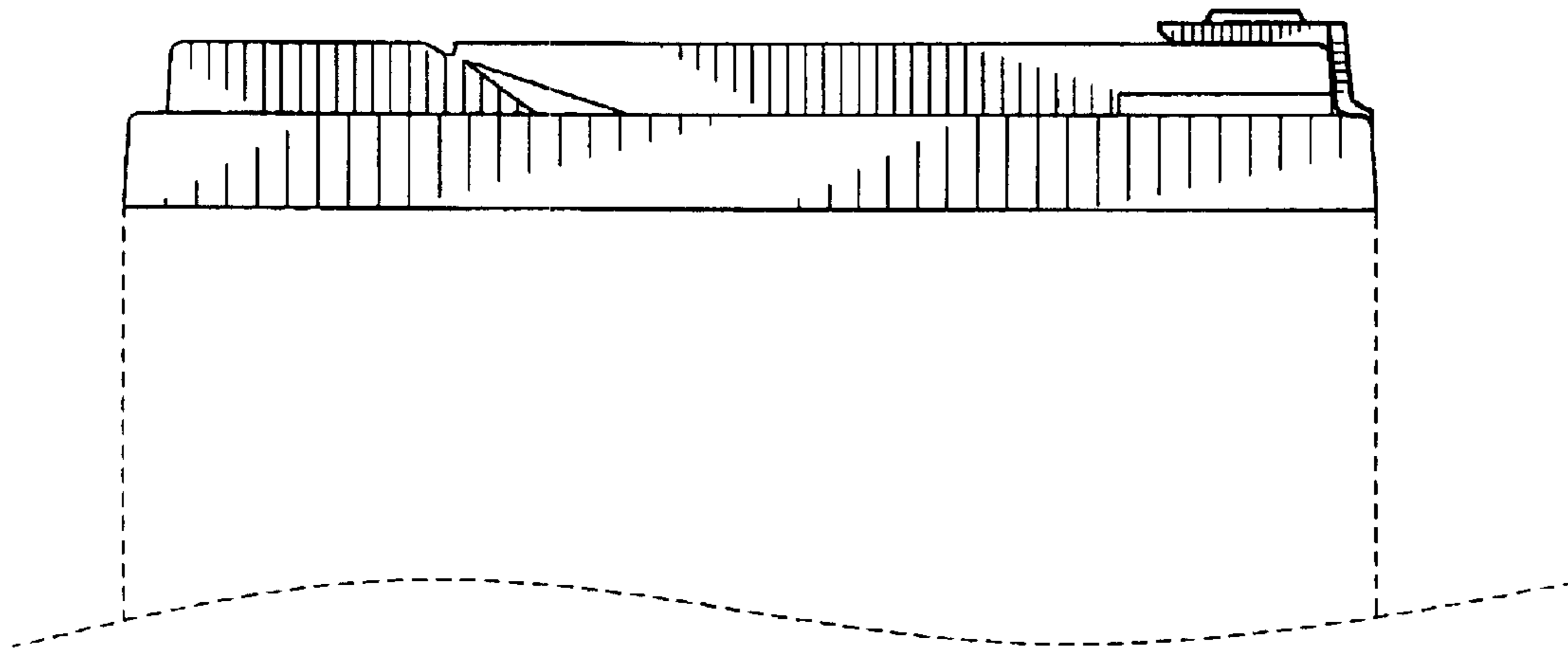


FIG. 5

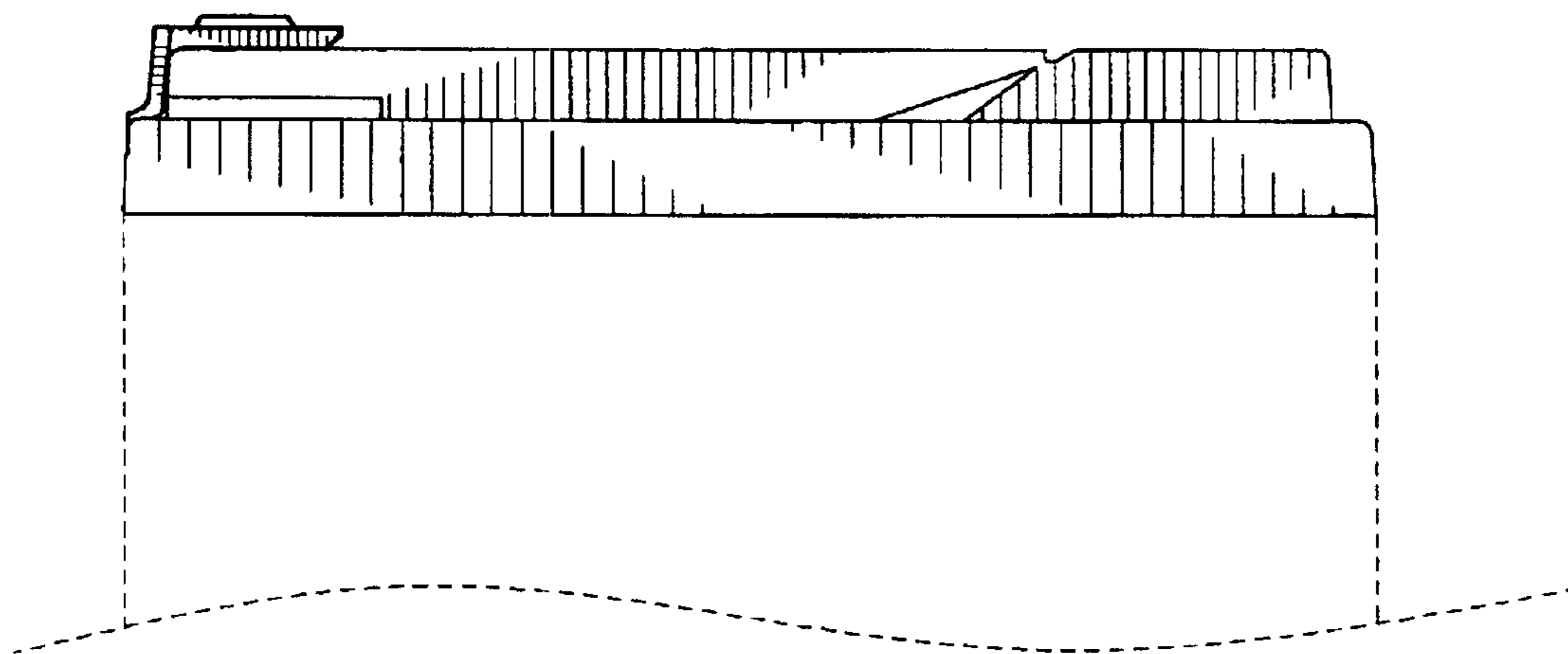


FIG. 6

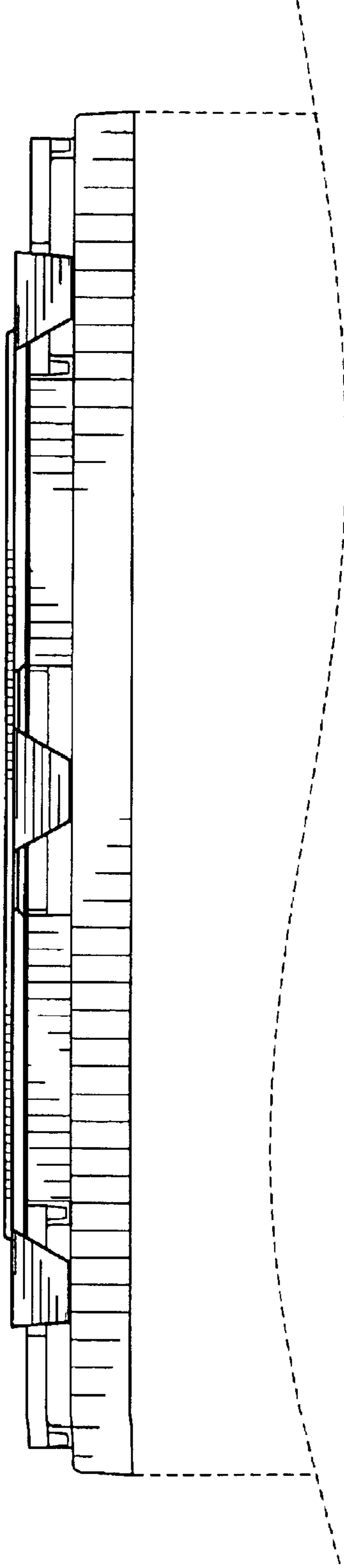


FIG. 7

