

US00D495252S1

(12) **United States Design Patent**
Poole

(10) **Patent No.:** **US D495,252 S**

(45) **Date of Patent:** **** Aug. 31, 2004**

(54) **PACKAGING**

(75) **Inventor:** **David Martin Poole**, Birmingham (GB)

(73) **Assignee:** **Glaxo-Group Limited**, Greenford (GB)

(**) **Term:** **14 Years**

(21) **Appl. No.:** **29/189,910**

(22) **Filed:** **Sep. 12, 2003**

(30) **Foreign Application Priority Data**

Mar. 14, 2003 (GB) 3011659

(51) **LOC (7) Cl.** **09-03**

(52) **U.S. Cl.** **D9/432**

(58) **Field of Search** D9/432, 302, 337,
D9/415, 424, 429; 206/63.5, 83, 216, 277,
363, 368, 524.1, 525, 770, 771, 776, 778,
823; 229/125.015, 186, 187

(56) **References Cited**

U.S. PATENT DOCUMENTS

2,937,743 A * 5/1960 Buttery et al. 206/783

3,008,612 A * 11/1961 Ganter 222/543

3,746,156 A * 7/1973 Austin et al. 206/277

3,917,064 A * 11/1975 Roccaforte 206/277

D429,462 S * 8/2000 Kumakura et al. D9/415

D434,648 S * 12/2000 Li et al. D9/415

* cited by examiner

Primary Examiner—Prabhakar Deshmukh

Assistant Examiner—Daniel Bui

(74) *Attorney, Agent, or Firm*—Nora Stein-Fernandez;
Theodore R. Furman

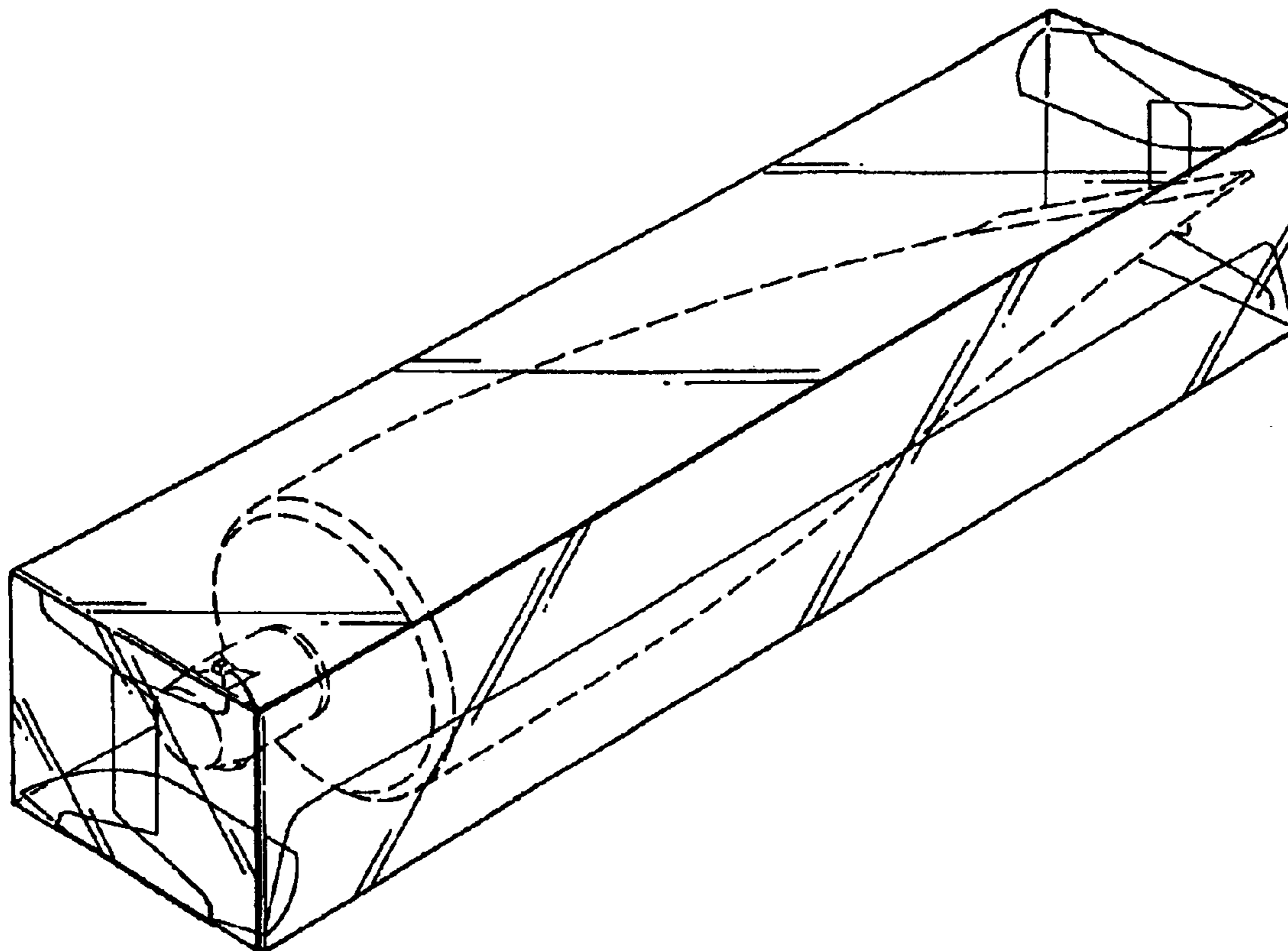
(57) **CLAIM**

The ornamental design for packaging, as shown and described.

DESCRIPTION

FIG. 1 is a perspective view from above, front and left side of packaging, showing my new design; FIG. 2 is a rear elevation view thereof; FIG. 3 is a right side elevation view thereof; FIG. 4 is a top plan view thereof; and, FIG. 5 is a bottom plan view thereof.

1 Claim, 2 Drawing Sheets



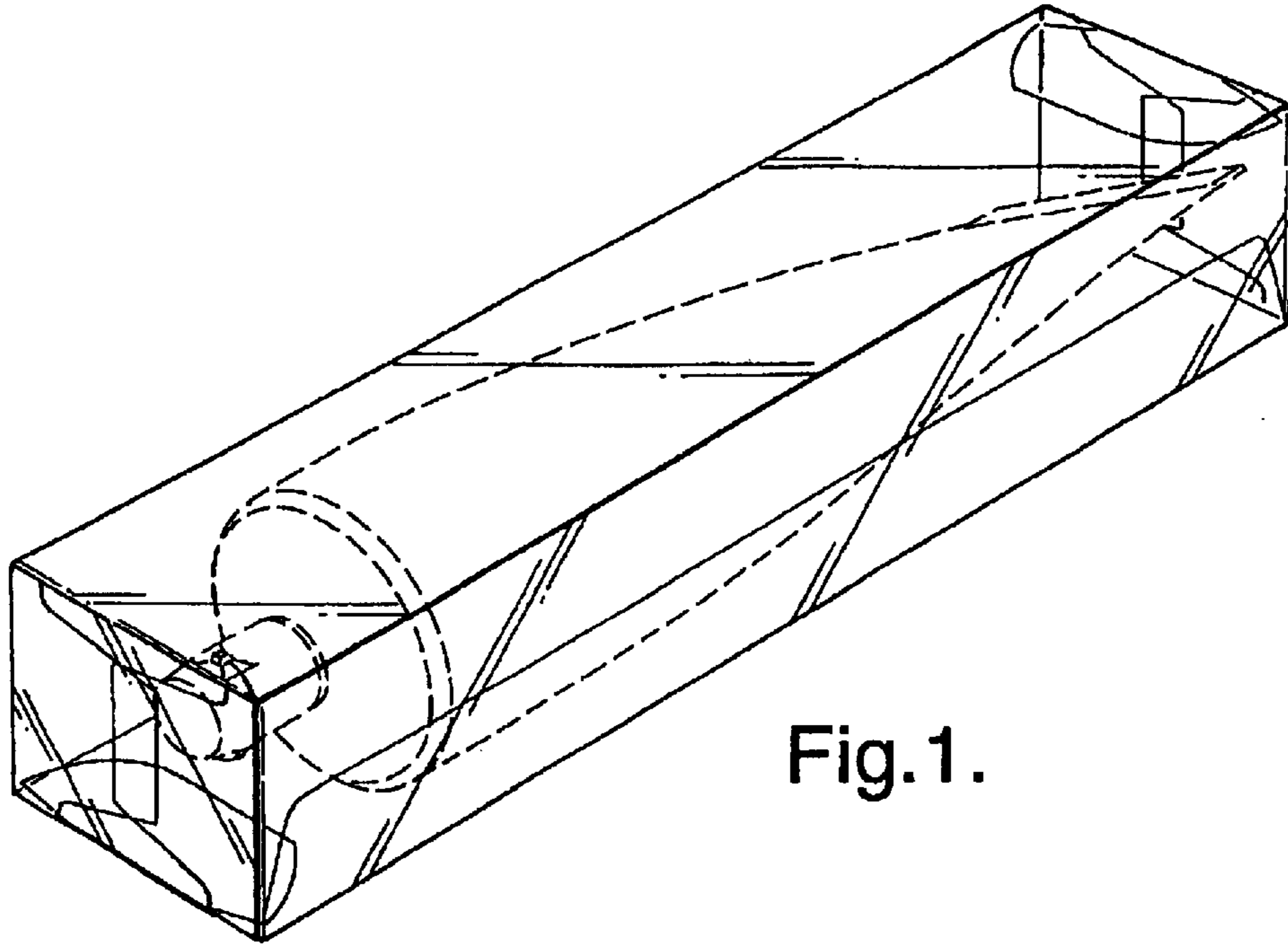


Fig. 1.

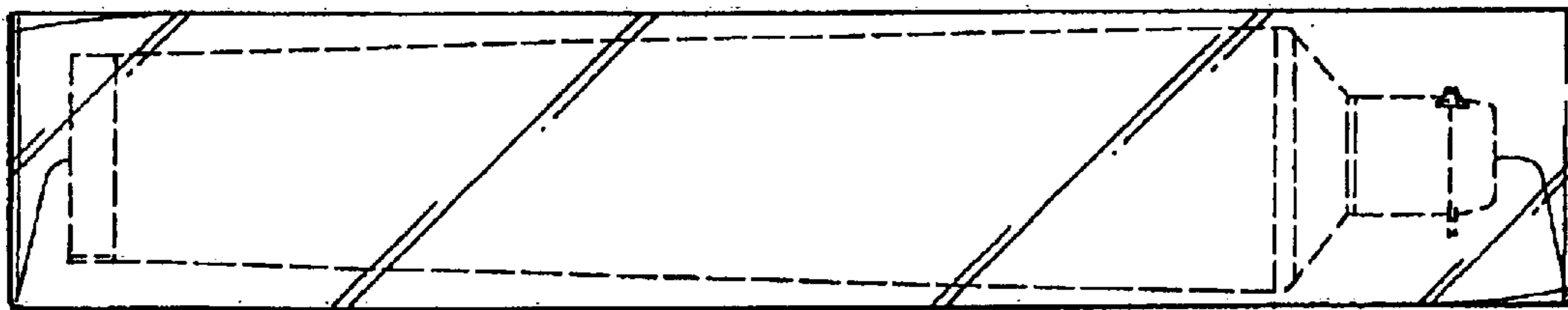


Fig. 2.

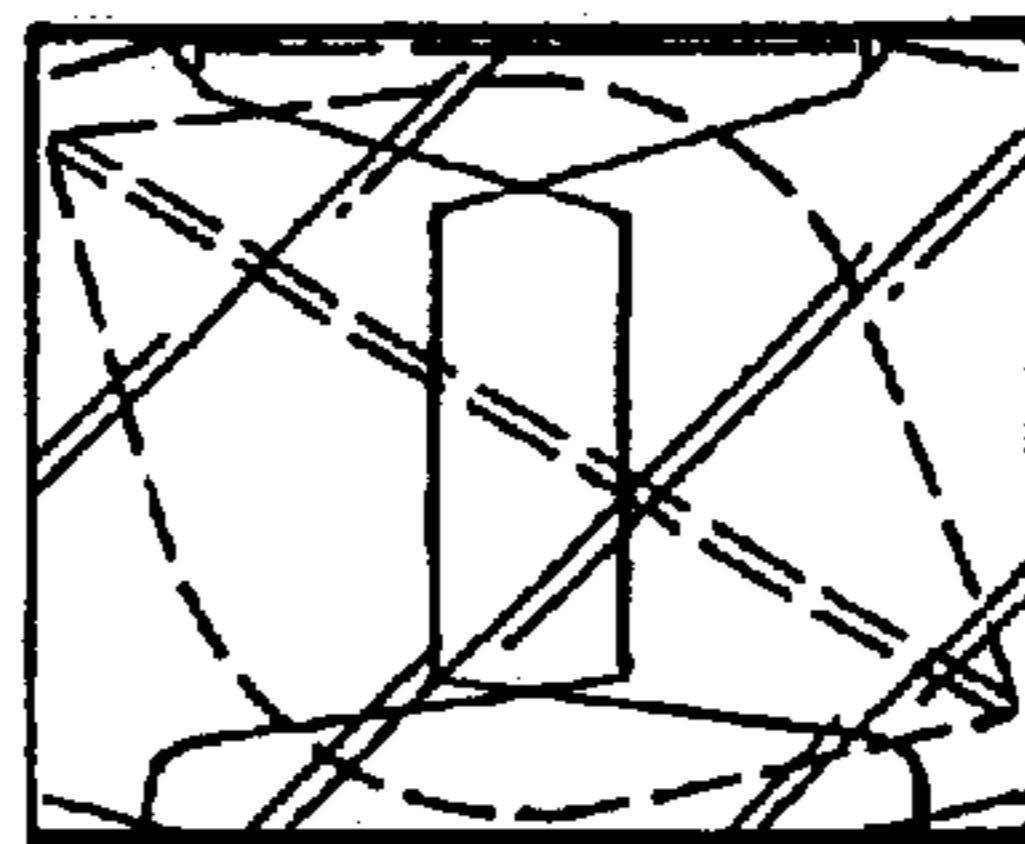


Fig. 3.

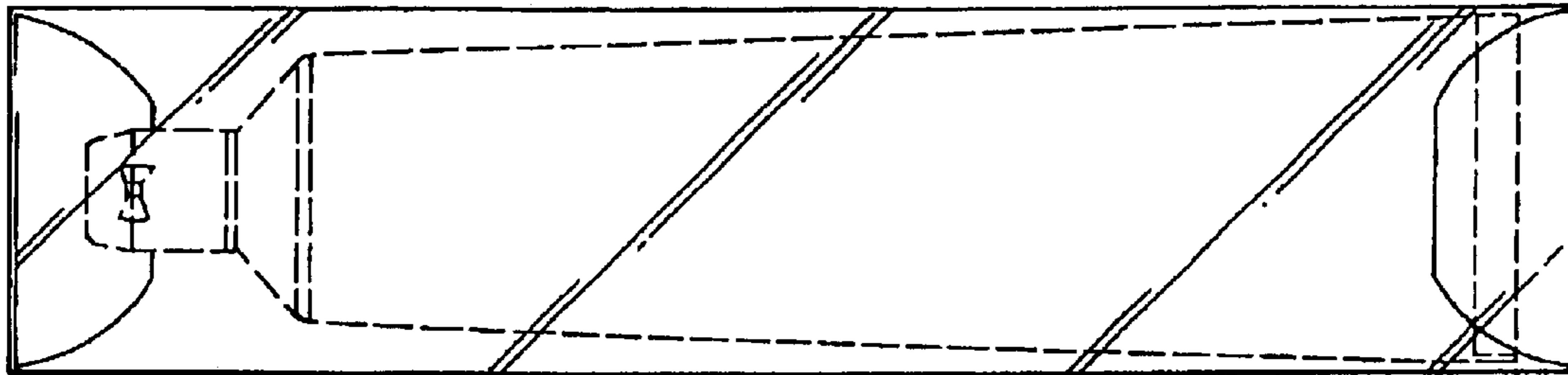


Fig.4.

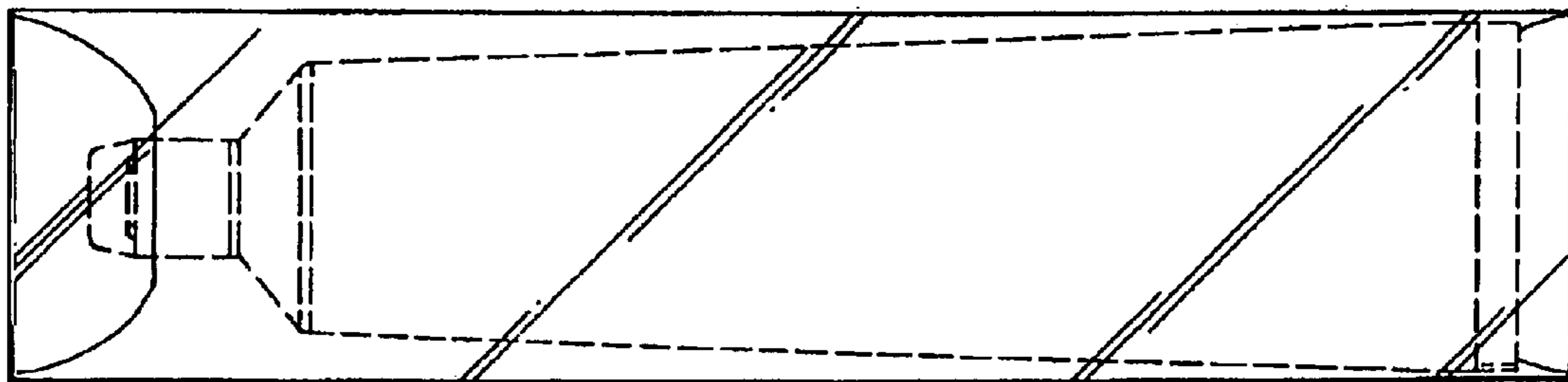


Fig.5.