



US00D495250S1

(12) **United States Design Patent** (10) **Patent No.:** **US D495,250 S**
Learey (45) **Date of Patent:** **** Aug. 31, 2004**

(54) **ELLIPTICAL BOX**
(75) **Inventor:** **Julie Learey**, Reading (GB)
(73) **Assignee:** **Historic Originals Limited**, Reading (GB)
(**) **Term:** **14 Years**

4,742,951 A * 5/1988 Kelly et al. 229/109
5,611,448 A * 3/1997 Chen 220/4.27
5,620,109 A * 4/1997 Madden 220/345.4
5,829,591 A * 11/1998 Lyons 206/373
D403,579 S * 1/1999 Gallart et al. D9/418
D426,153 S * 6/2000 Sagel et al. D9/428
D436,861 S * 1/2001 Sagel et al. D9/428
D451,386 S * 12/2001 Rice D9/428
6,557,750 B1 * 5/2003 Druse et al. 229/162.1
D479,684 S * 9/2003 Miller D9/428

(21) **Appl. No.:** **29/187,612**
(22) **Filed:** **Aug. 4, 2003**

* cited by examiner

(30) **Foreign Application Priority Data**

Primary Examiner—Prabhakar Deshmukh
(74) *Attorney, Agent, or Firm*—Melvin I. Stoltz

Feb. 27, 2003 (GB) 3011232

(57) **CLAIM**

(51) **LOC (7) Cl.** **09-03**
(52) **U.S. Cl.** **D9/428; D9/422; D9/424**
(58) **Field of Search** D9/428, 429, 424,
D9/418, 422, 414, 513; 206/303, 270; 220/4.04,
4.31, 4.32, 345.1, 495.01, 8; 229/129, 406,
125.12, 93, 125.125, 4.5, 116.1

The ornamental design for the elliptical box, as shown and described.

DESCRIPTION

(56) **References Cited**

FIG. 1 is a perspective view of the elliptical box showing my new design and illustrating the method of closing the box;
FIG. 2 is a plan view thereof;
FIG. 3 is an underneath plan view thereof;
FIG. 4 is a front view thereof; and,
FIG. 5 is a left hand side view thereof.

U.S. PATENT DOCUMENTS

3,942,668 A * 3/1976 Eberle et al. 220/8
D244,259 S * 5/1977 Bergstein D9/418

1 Claim, 1 Drawing Sheet

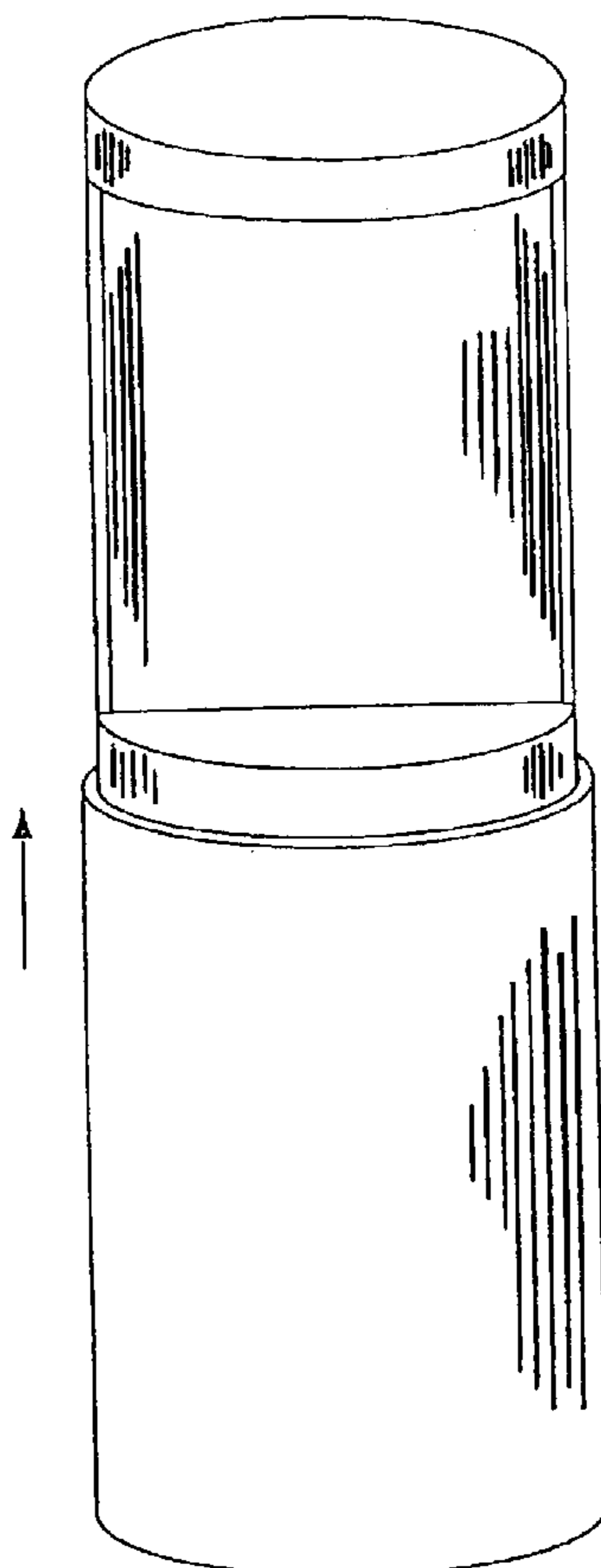


Figure 1

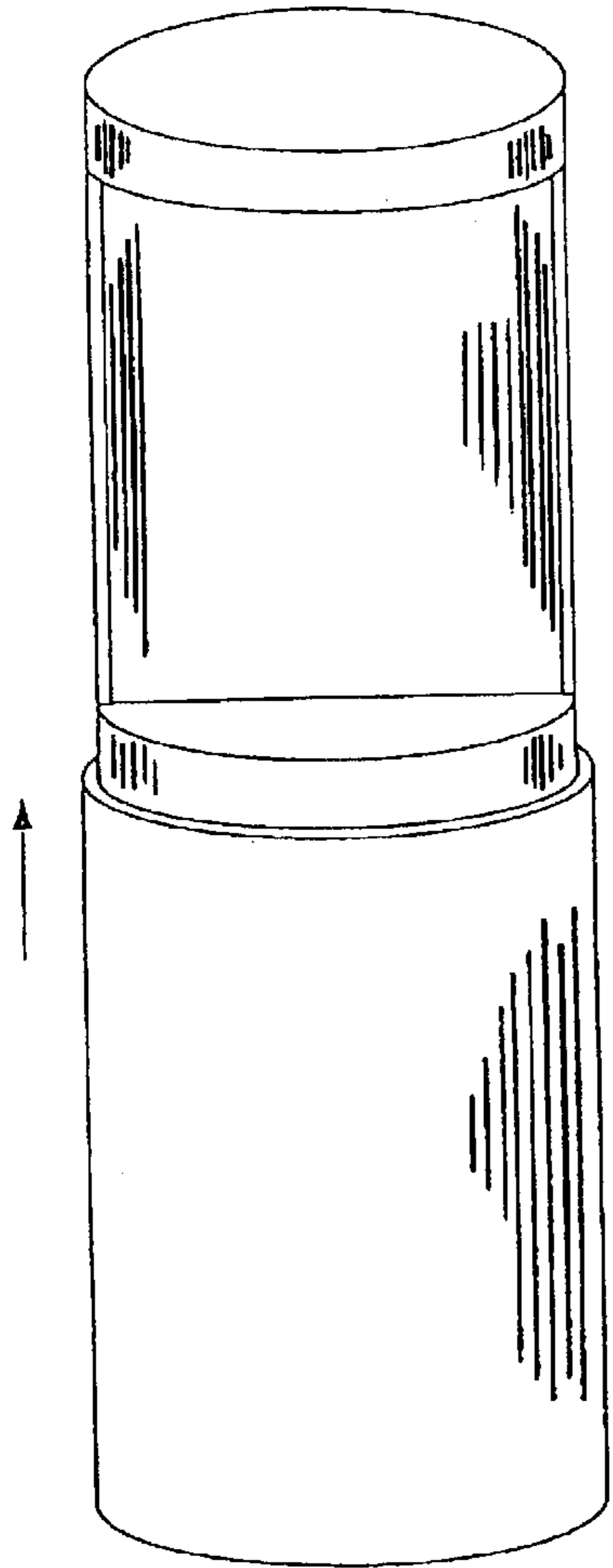


Figure 2

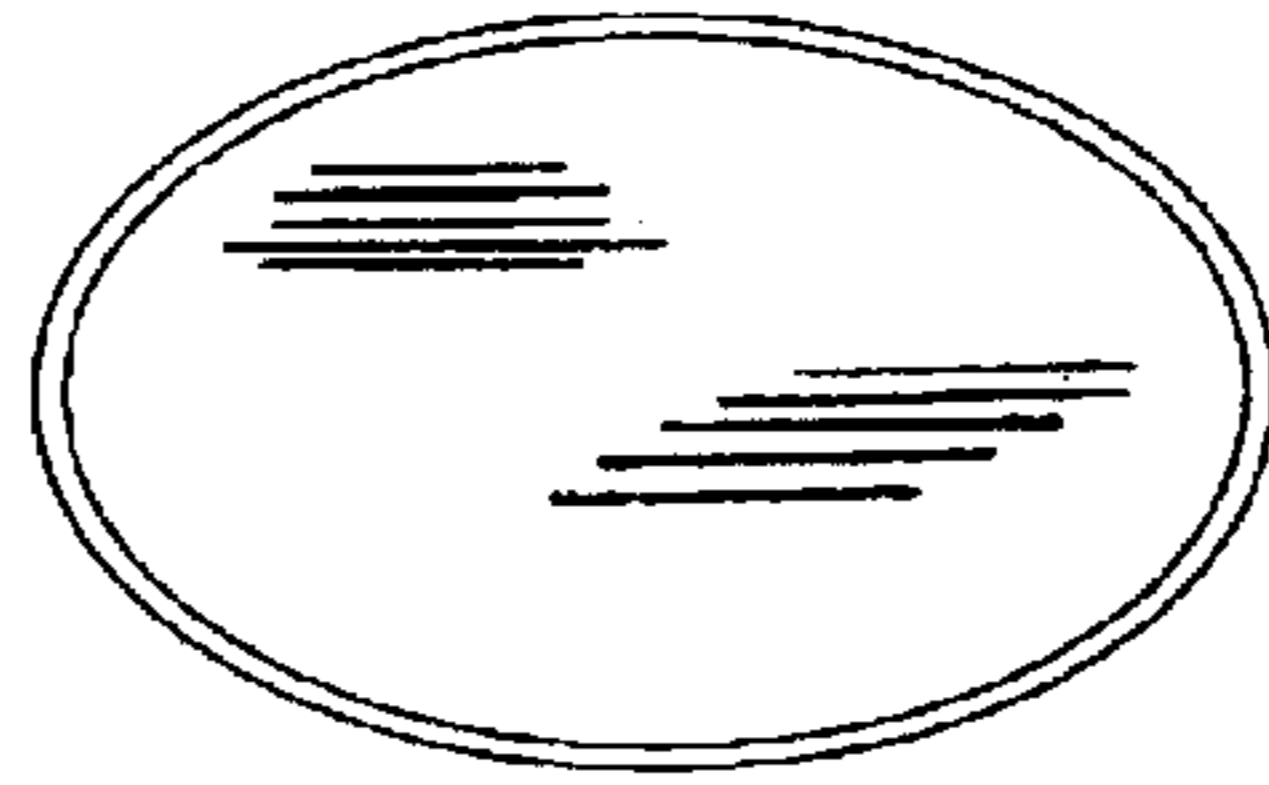


Figure 3

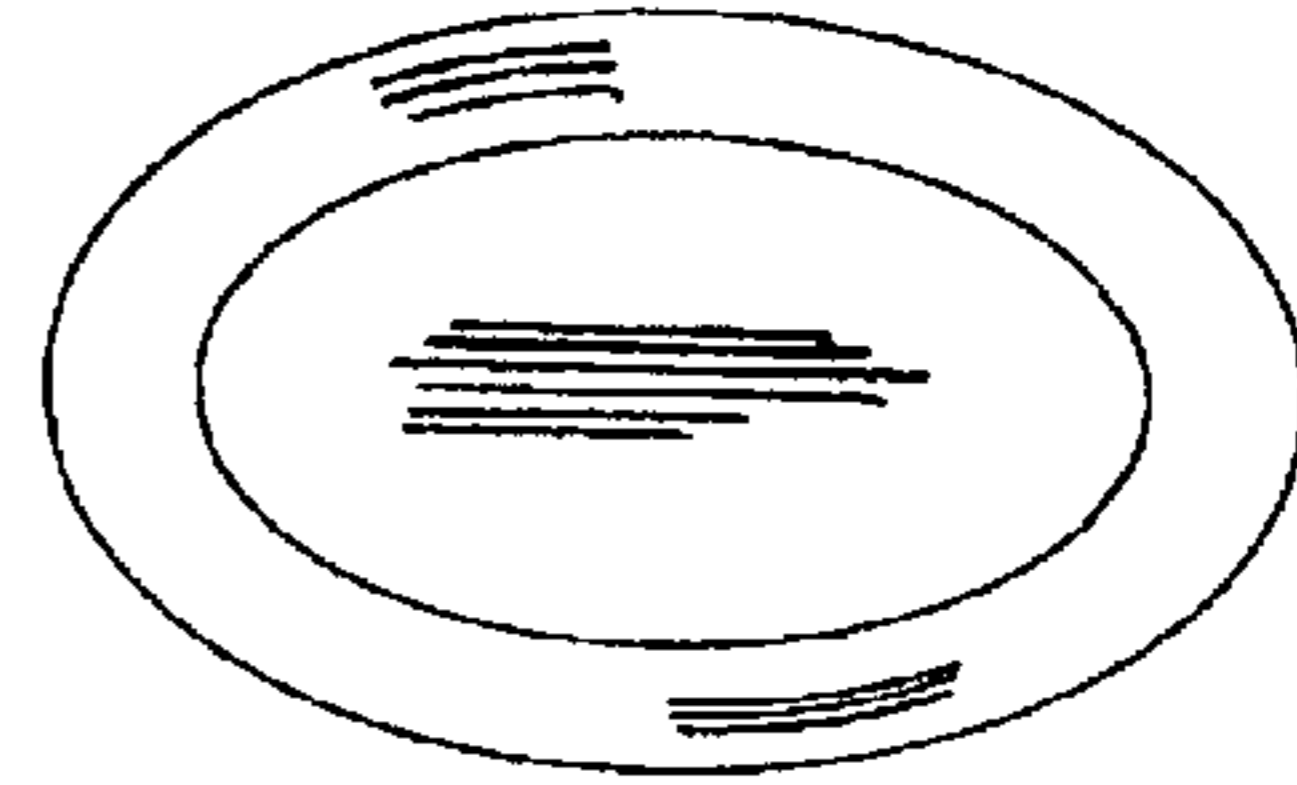


Figure 4

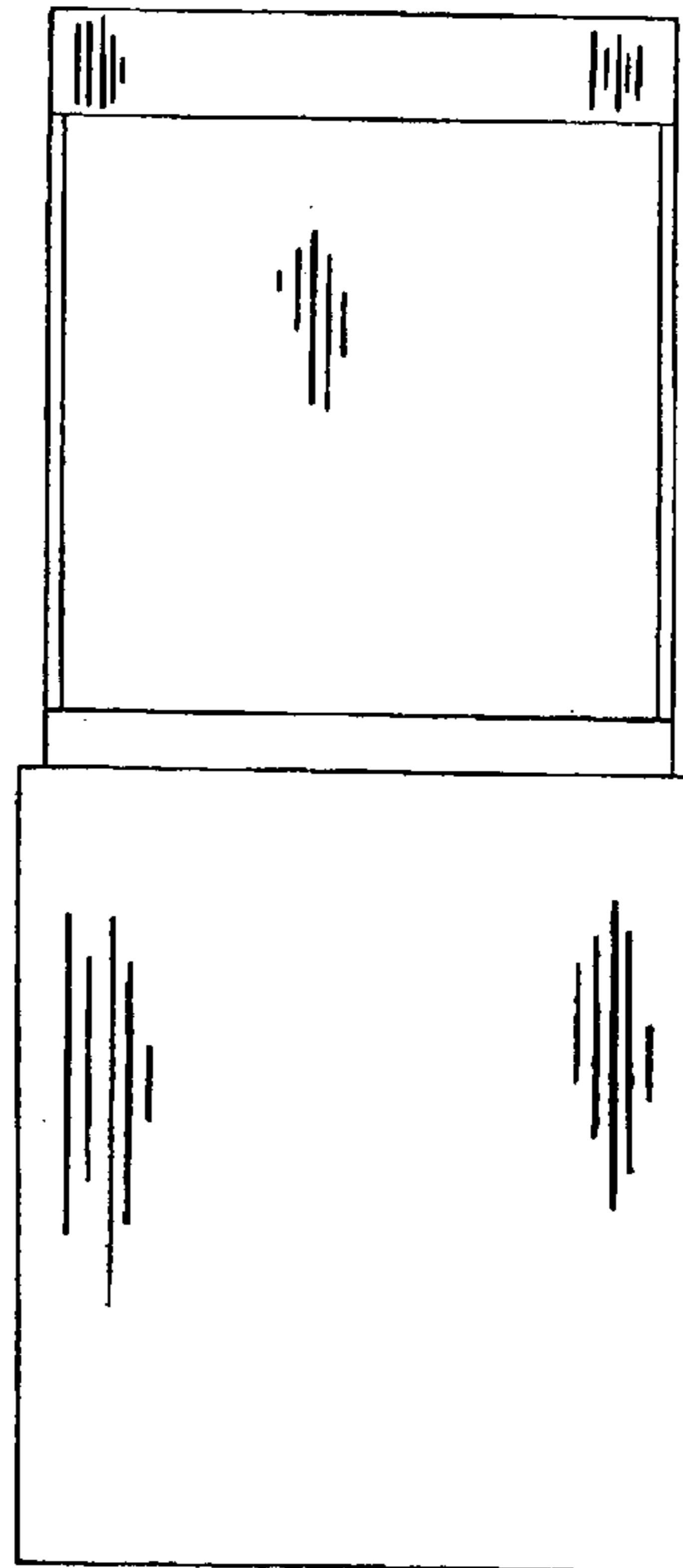


Figure 5

