

US00D495249S1

(12) **United States Design Patent**
Martinson et al.

(10) **Patent No.:** **US D495,249 S**

(45) **Date of Patent:** **** Aug. 31, 2004**

(54) **CONTAINER**

(75) Inventors: **Matthew L. Martinson**, Stewartville, MN (US); **Richard T. Steichen**, Elk River, MN (US); **Gregory L. Nelson**, Mendota Heights, MN (US); **John F. Mork**, Plymouth, MN (US)

(73) Assignee: **Hormel Foods, LLC**, Austin, MN (US)

(**) Term: **14 Years**

(21) Appl. No.: **29/180,057**

(22) Filed: **Apr. 17, 2003**

(51) **LOC (7) Cl.** **09-03**

(52) **U.S. Cl.** **D9/425; D9/418; D9/423**

(58) **Field of Search** D9/418, 423-426, D9/428, 429, 432; 206/216, 541, 508, 518, 557, 822, 669, 776, 777; 229/406, 407, 902-906, 116.1, 938, 162.1; 220/4.21-4.27, 556, 669, 836-842; 426/106, 126

(56) **References Cited**

U.S. PATENT DOCUMENTS

5,456,379 A * 10/1995 Krupa et al. 220/835
D376,314 S * 12/1996 Krupa D9/425
D407,015 S * 3/1999 Jones D9/426
5,897,011 A * 4/1999 Brilliant et al. 220/4.23

D416,751 S * 11/1999 Sawyer et al. D7/359
D470,048 S * 2/2003 Buchalski et al. D9/425
D483,664 S * 12/2003 Cadiente D9/418

* cited by examiner

Primary Examiner—Prabhakar Deshmukh
(74) *Attorney, Agent, or Firm*—IPLM Group, P.A.

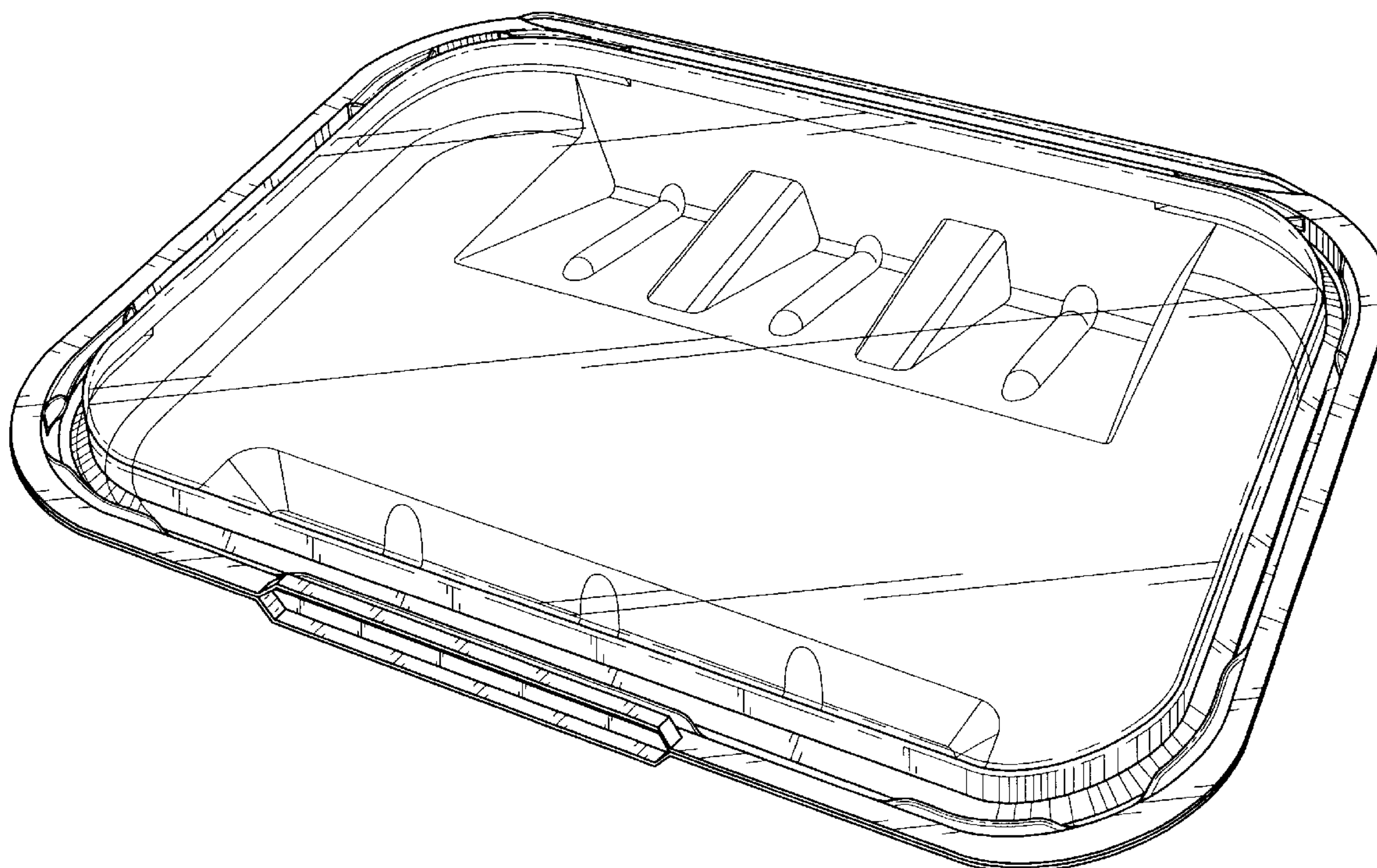
(57) **CLAIM**

The ornamental design for container, as shown and described.

DESCRIPTION

FIG. 1 is a perspective view of our design showing a container;
FIG. 2 is a top plan view thereof;
FIG. 3 is a bottom plan view thereof;
FIG. 4 is a front elevational view thereof;
FIG. 5 is a rear elevational view thereof;
FIG. 6 is a right side elevational view thereof, the left side being a mirror image thereof;
FIG. 7 is a top plan view of the container shown in FIG. 1 with the lid open;
FIG. 8 is a cross-sectional view taken generally along the lines 8—8; and,
FIG. 9 is a cross-sectional view taken generally along the lines 9—9.

1 Claim, 7 Drawing Sheets



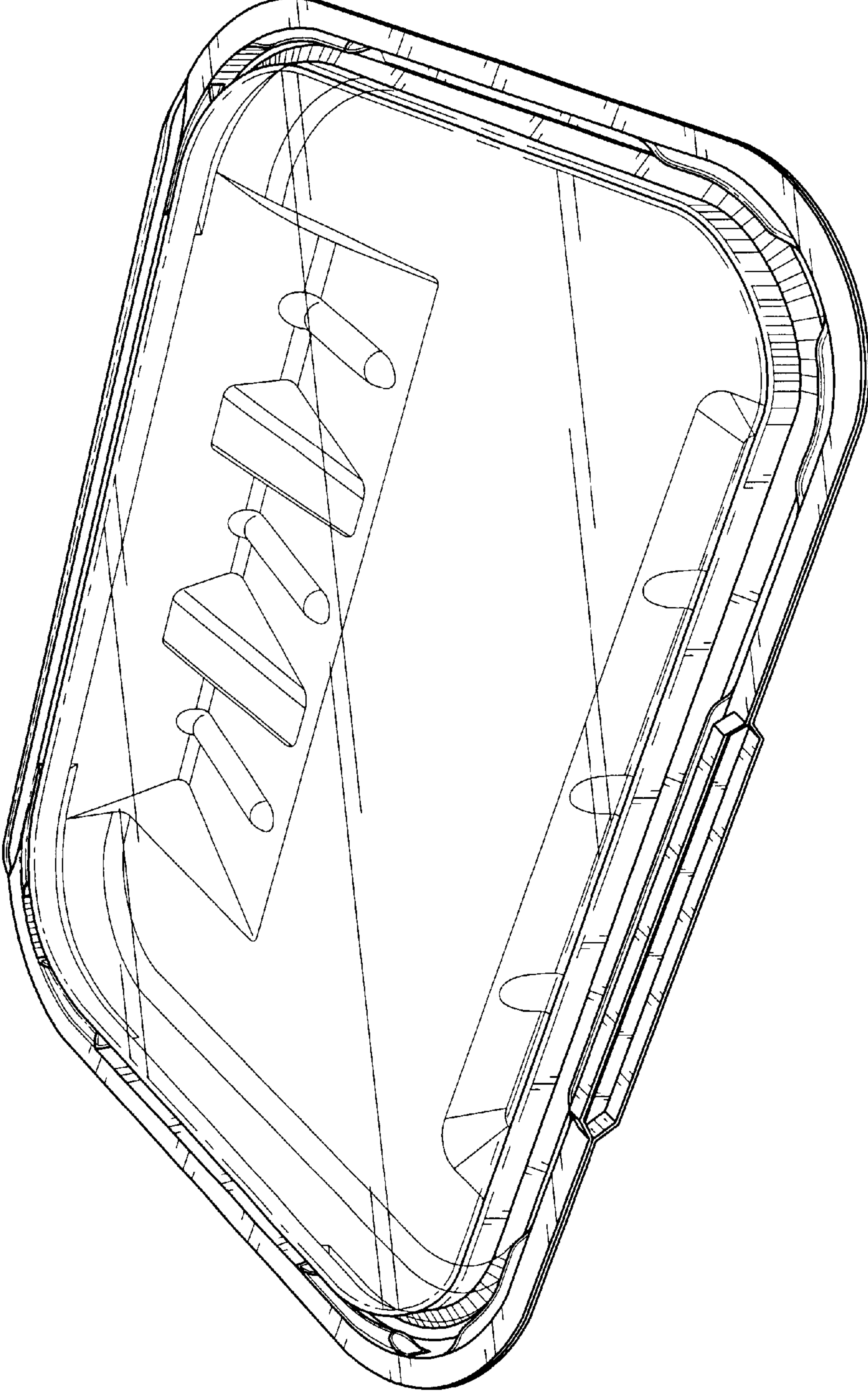


FIG. 1

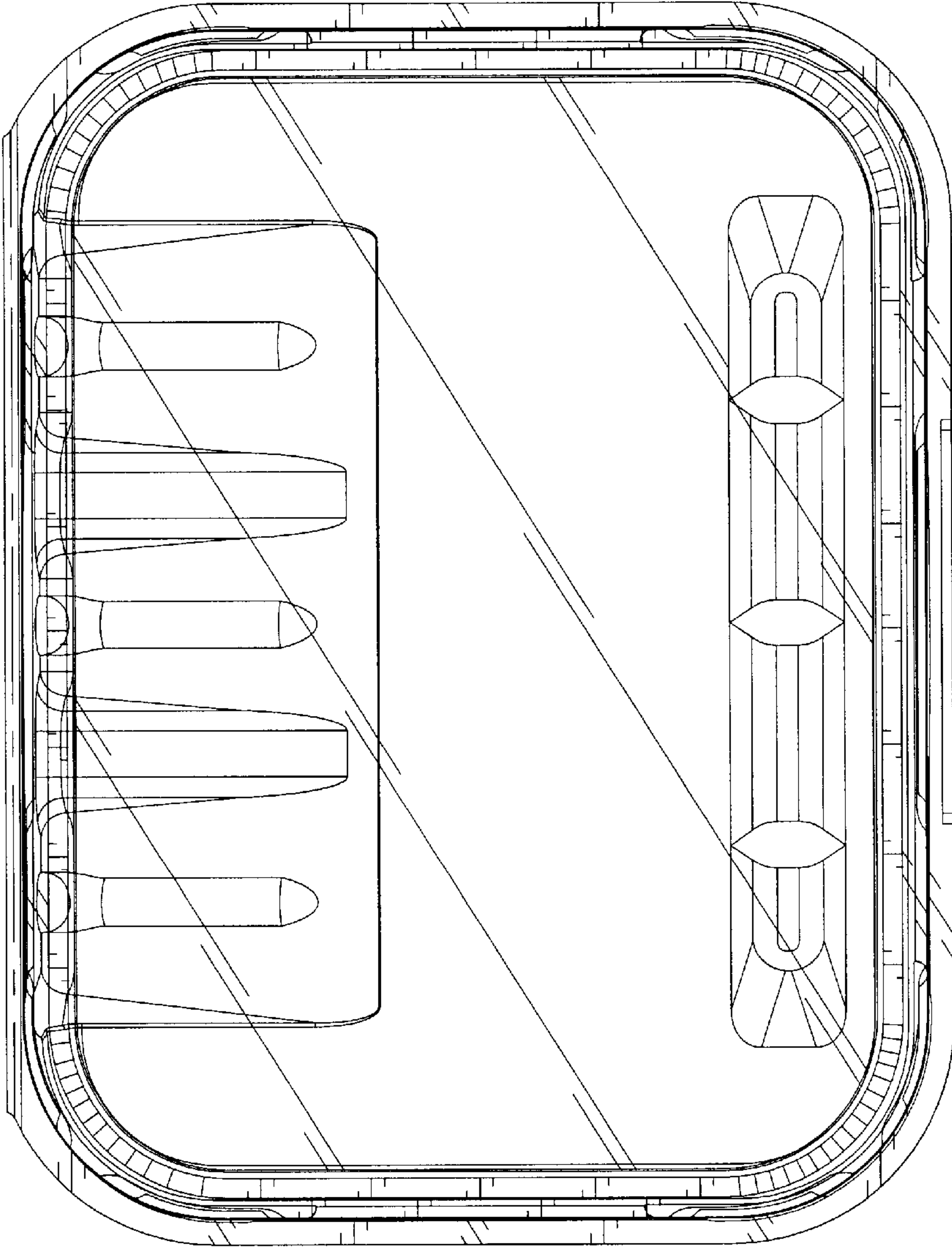


FIG. 2

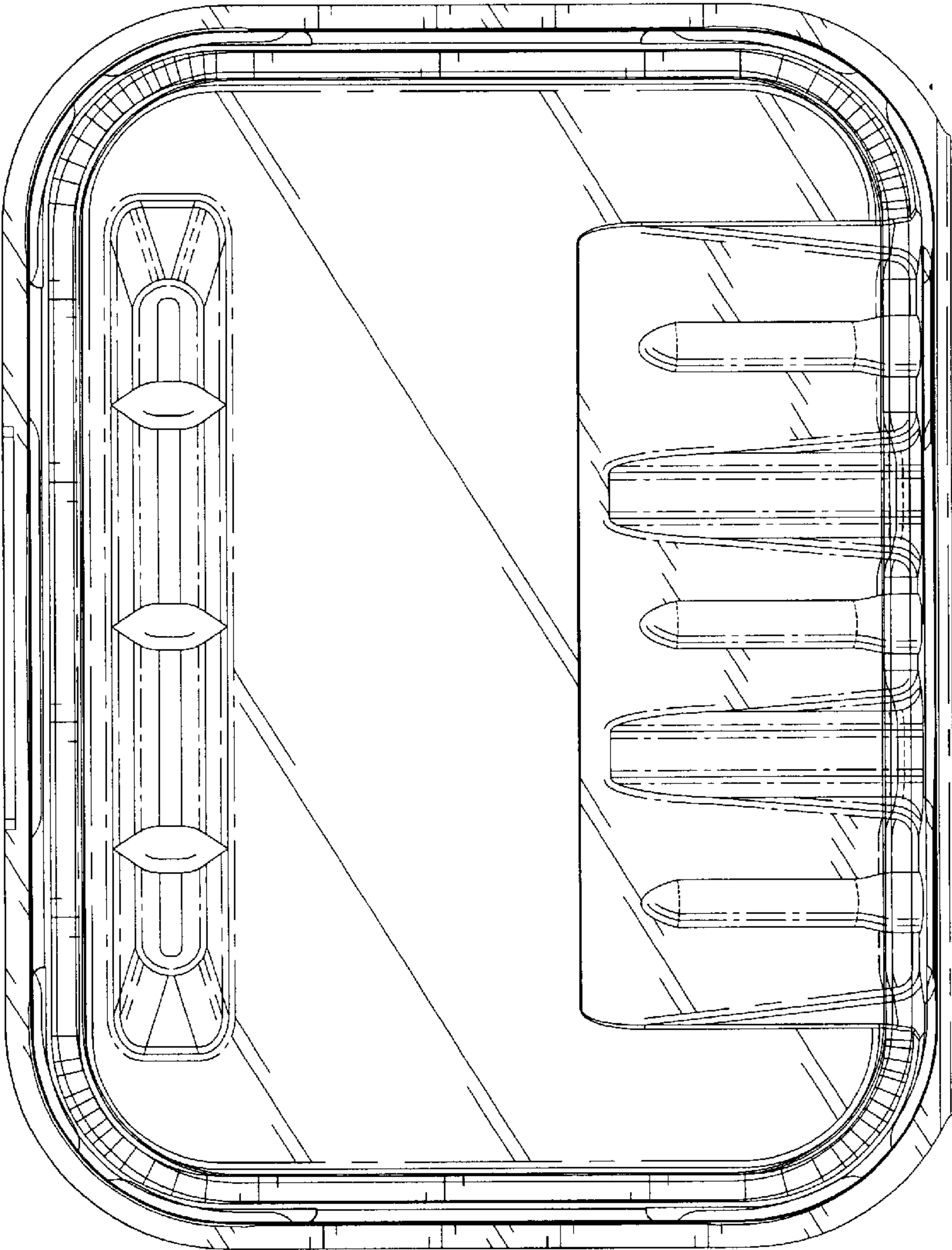


FIG. 3

FIG. 4

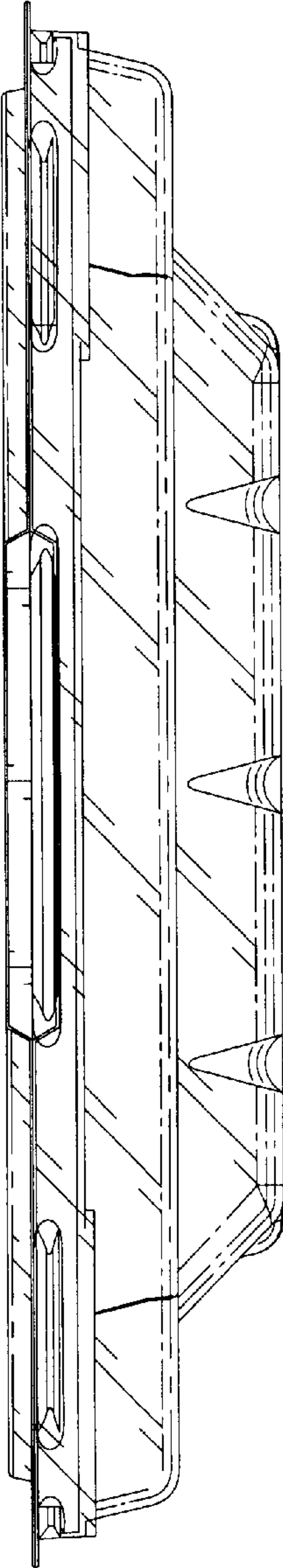


FIG. 5

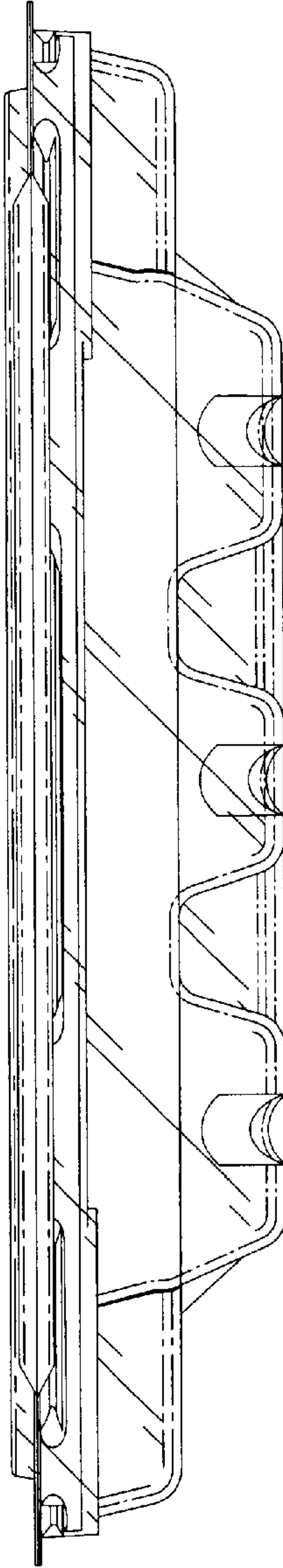
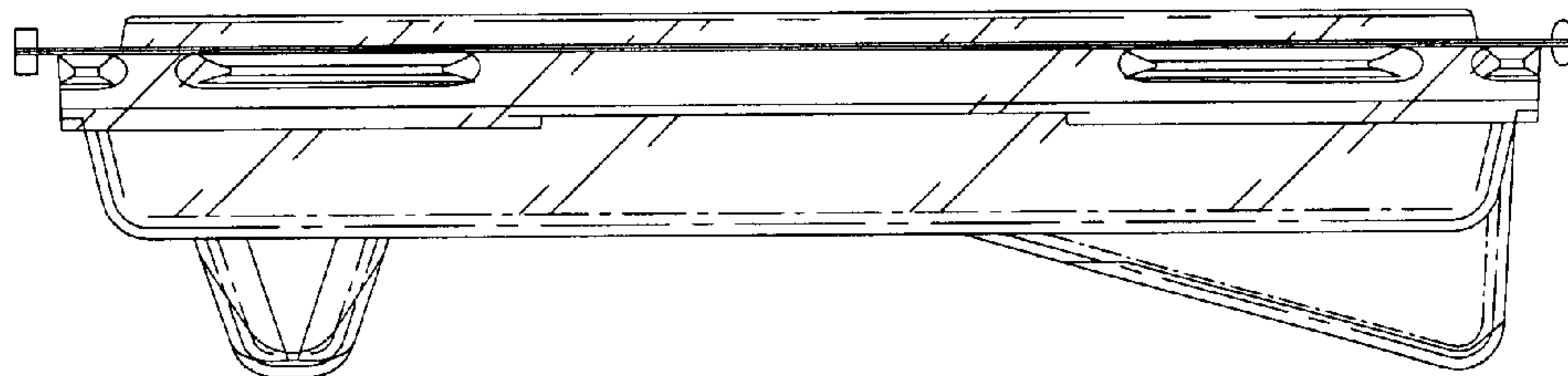


FIG. 6



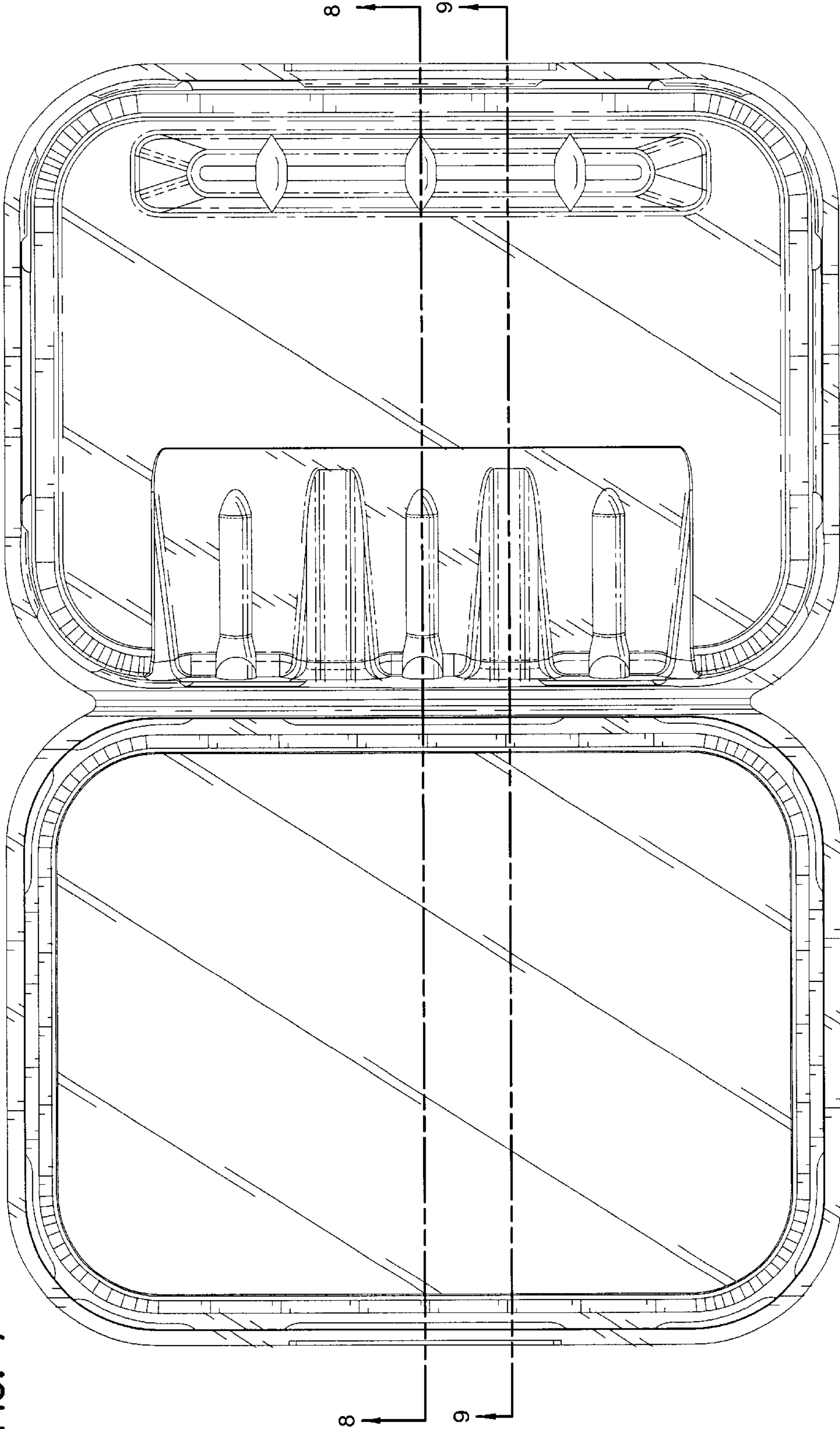


FIG. 7

FIG. 8

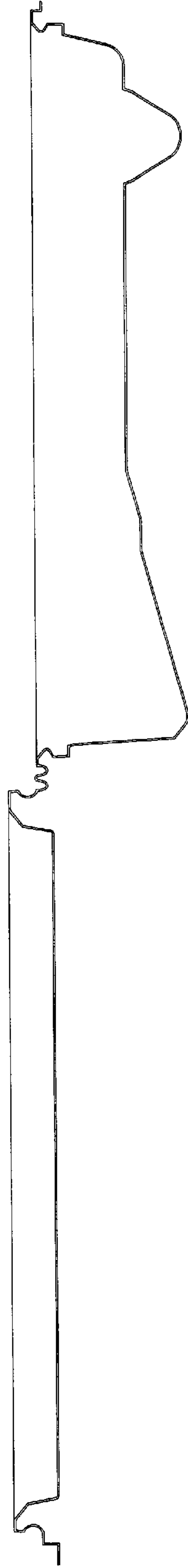


FIG. 9

