

US00D495248S1

(12) **United States Design Patent**  
**Krebs et al.**

(10) **Patent No.: US D495,248 S**

(45) **Date of Patent: \*\* Aug. 31, 2004**

(54) **STORAGE CONTAINER WITH LID**  
(75) Inventors: **Philip M. Krebs**, West Linn, OR (US);  
**Stephen A. Garrett**, Vancouver, WA  
(US); **Shelton Louie**, Vancouver, WA  
(US)

5,285,900 A \* 2/1994 Swingler ..... 206/508  
5,411,042 A \* 5/1995 Suzuki et al. .... 134/57 D  
D360,131 S \* 7/1995 Tudor ..... D9/418  
6,112,979 A \* 9/2000 Deger ..... 229/122  
D477,217 S \* 7/2003 Riedi ..... D9/418

\* cited by examiner

(73) Assignee: **GSL Solutions, Inc.**, Vancouver, WA  
(US)

*Primary Examiner*—Prabhakar Deshmukh  
(74) *Attorney, Agent, or Firm*—Ipsolon LLP

(\*\*) Term: **14 Years**

(57) **CLAIM**

(21) Appl. No.: **29/186,457**

The ornamental design for a storage container with lid, as shown and described.

(22) Filed: **Jul. 15, 2003**

**DESCRIPTION**

(51) **LOC (7) Cl.** ..... **09-03**

(52) **U.S. Cl.** ..... **D9/418**

(58) **Field of Search** ..... D9/418, 420–424,  
D9/414, 432; D3/201, 242; 206/508; 20/23.6,  
23.8, 661; 229/121, 122, 124, 162.1, 162.6

FIG. 1 is a front, right, perspective view of a storage container with lid showing our design; FIG. 2 is a top plan view thereof; FIG. 3 is a bottom plan view thereof; FIG. 4 is a left, side view thereof, the right side view being a mirror image of the left, side view; FIG. 5 is a front view thereof; and, FIG. 6 is a back view thereof.

(56) **References Cited**

**U.S. PATENT DOCUMENTS**

3,604,560 A \* 9/1971 Farquhar ..... 206/784  
D242,021 S \* 10/1976 Shanklin ..... D9/418  
D284,939 S \* 8/1986 Sandish et al. .... D9/346  
4,807,808 A \* 2/1989 Reed ..... 229/103  
5,259,631 A \* 11/1993 Brande ..... 229/121

The broken lines, which define the bounds of the claimed design, are for illustrative purpose only and form no part of the claimed design.

**1 Claim, 2 Drawing Sheets**

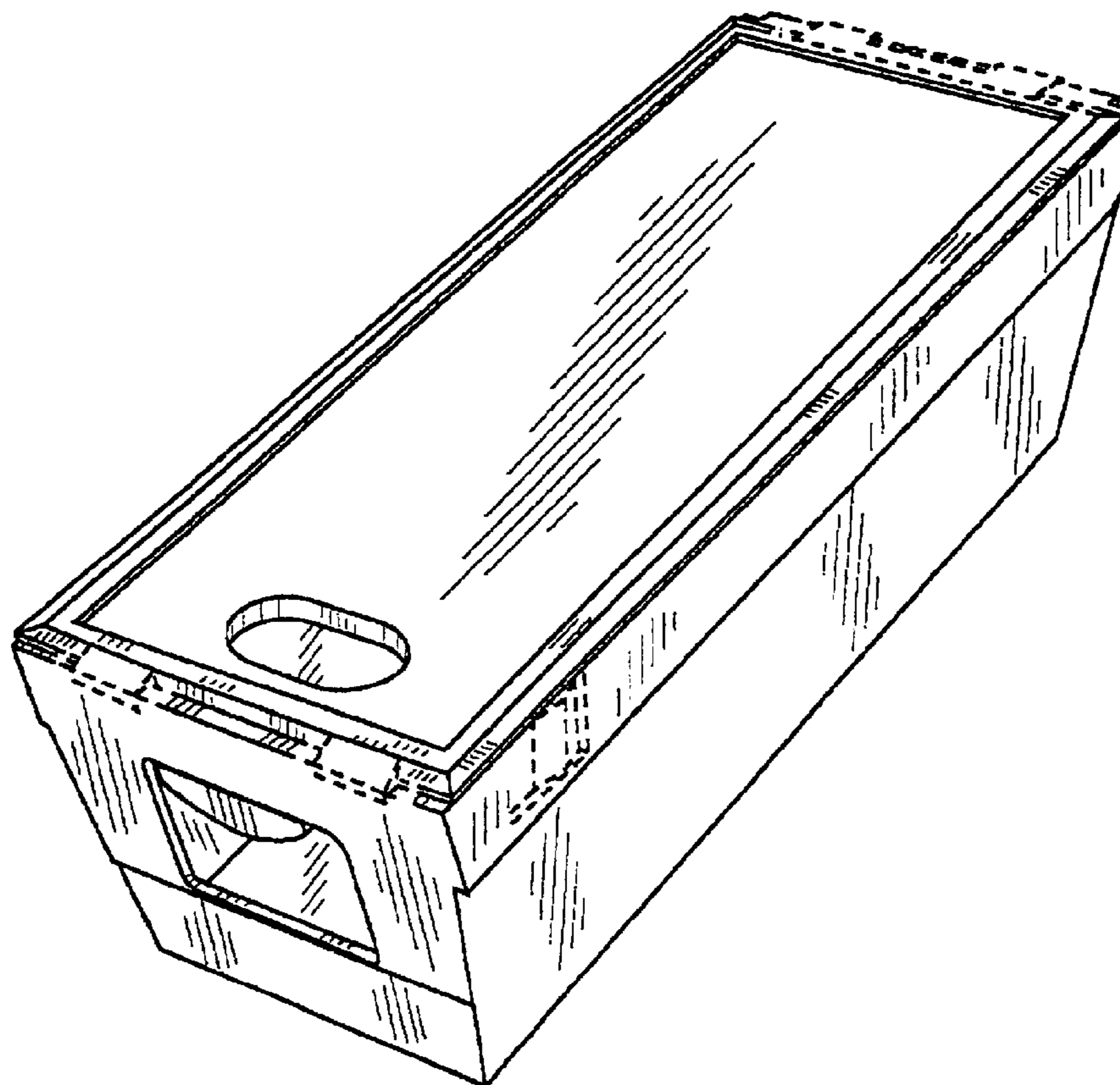


FIG. 1

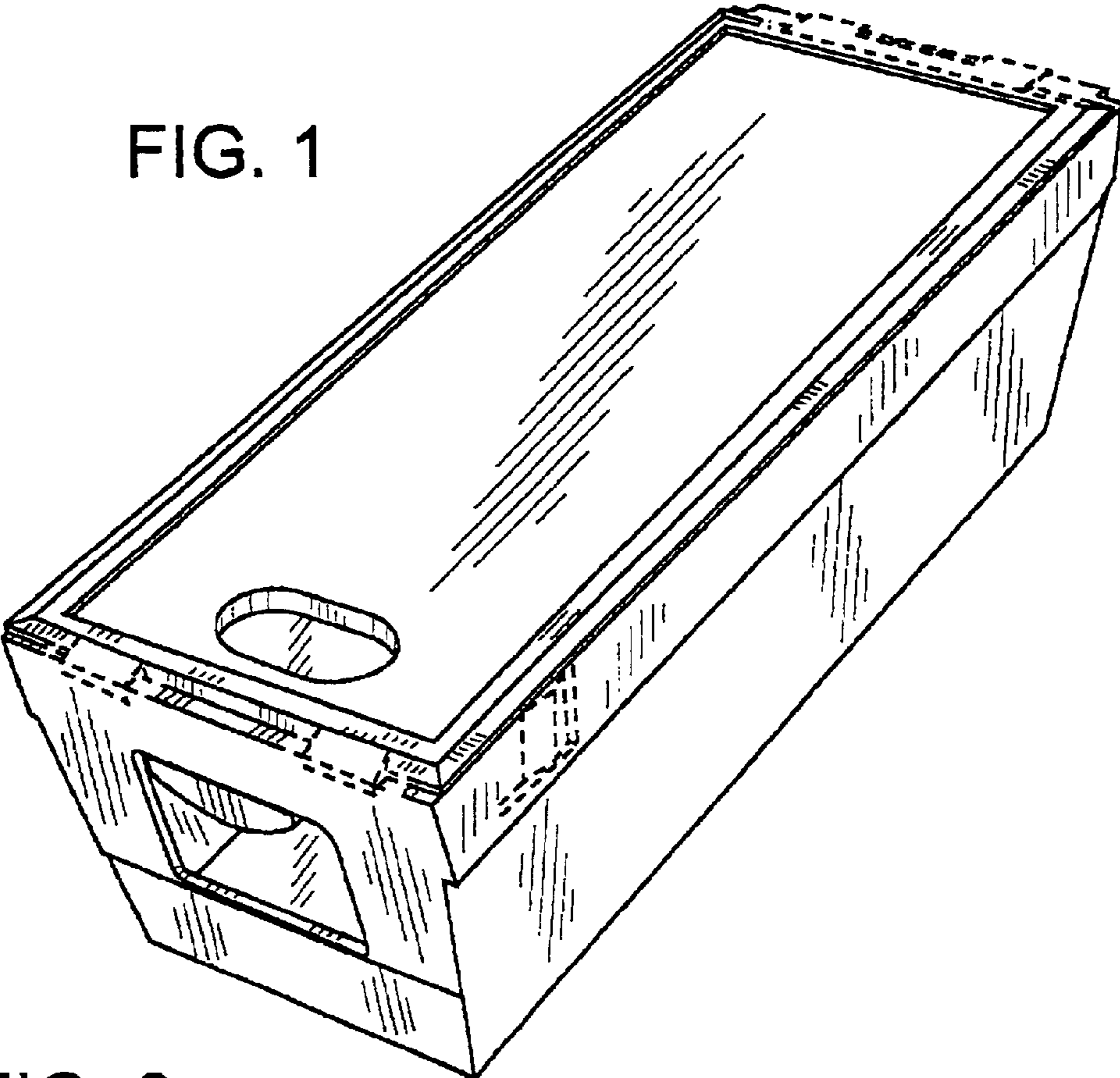


FIG. 2

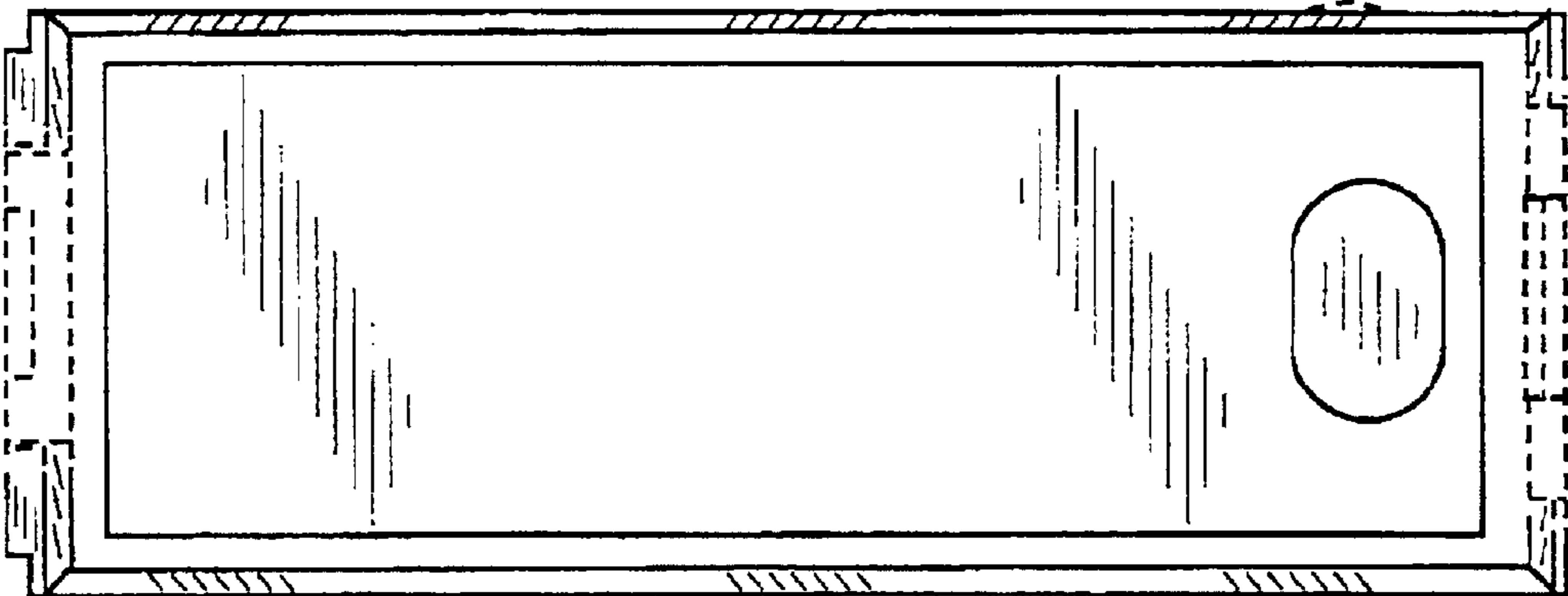


FIG. 3

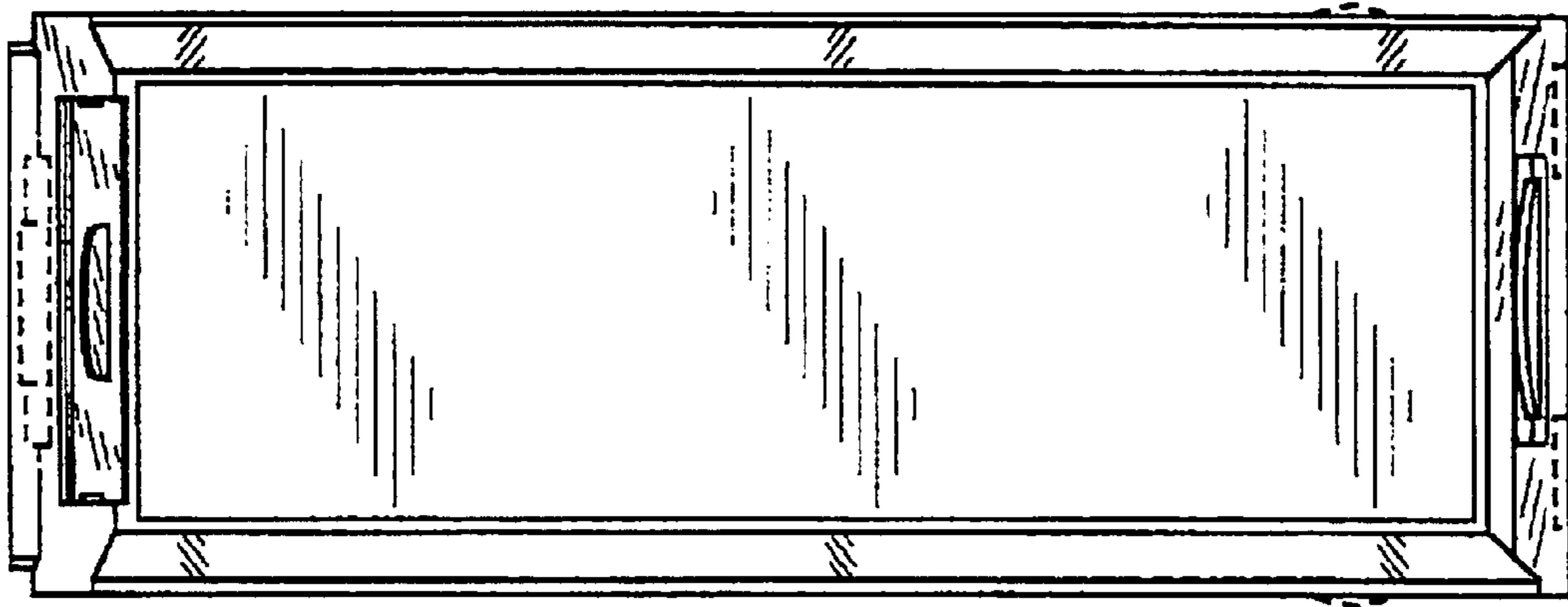


FIG. 4

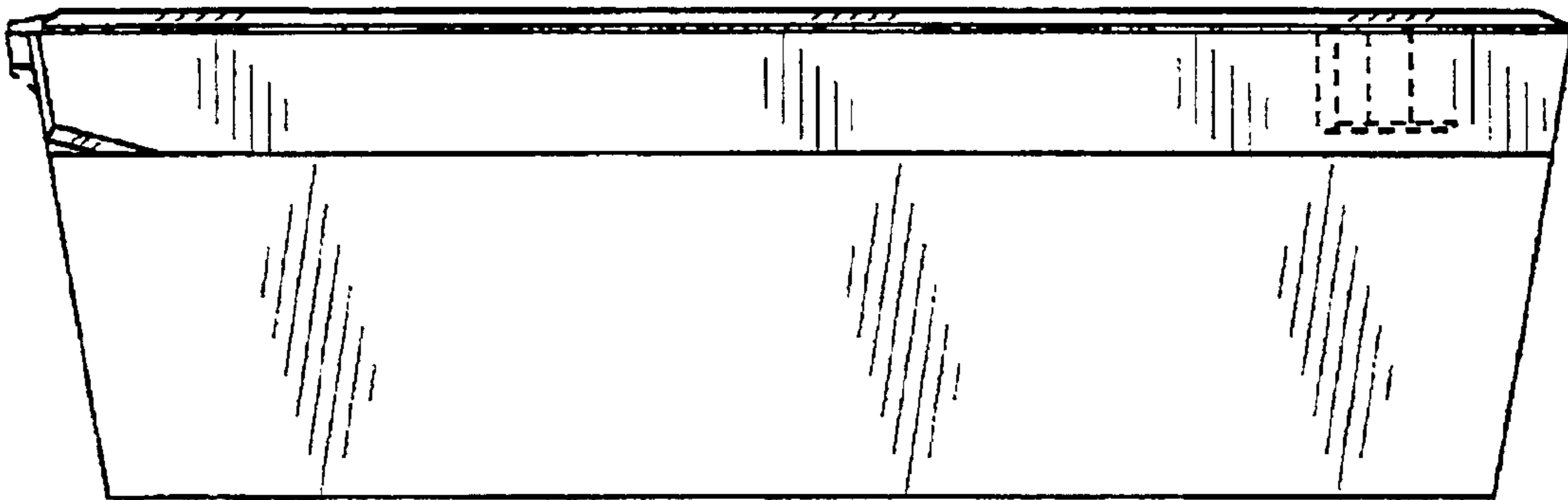


FIG. 5

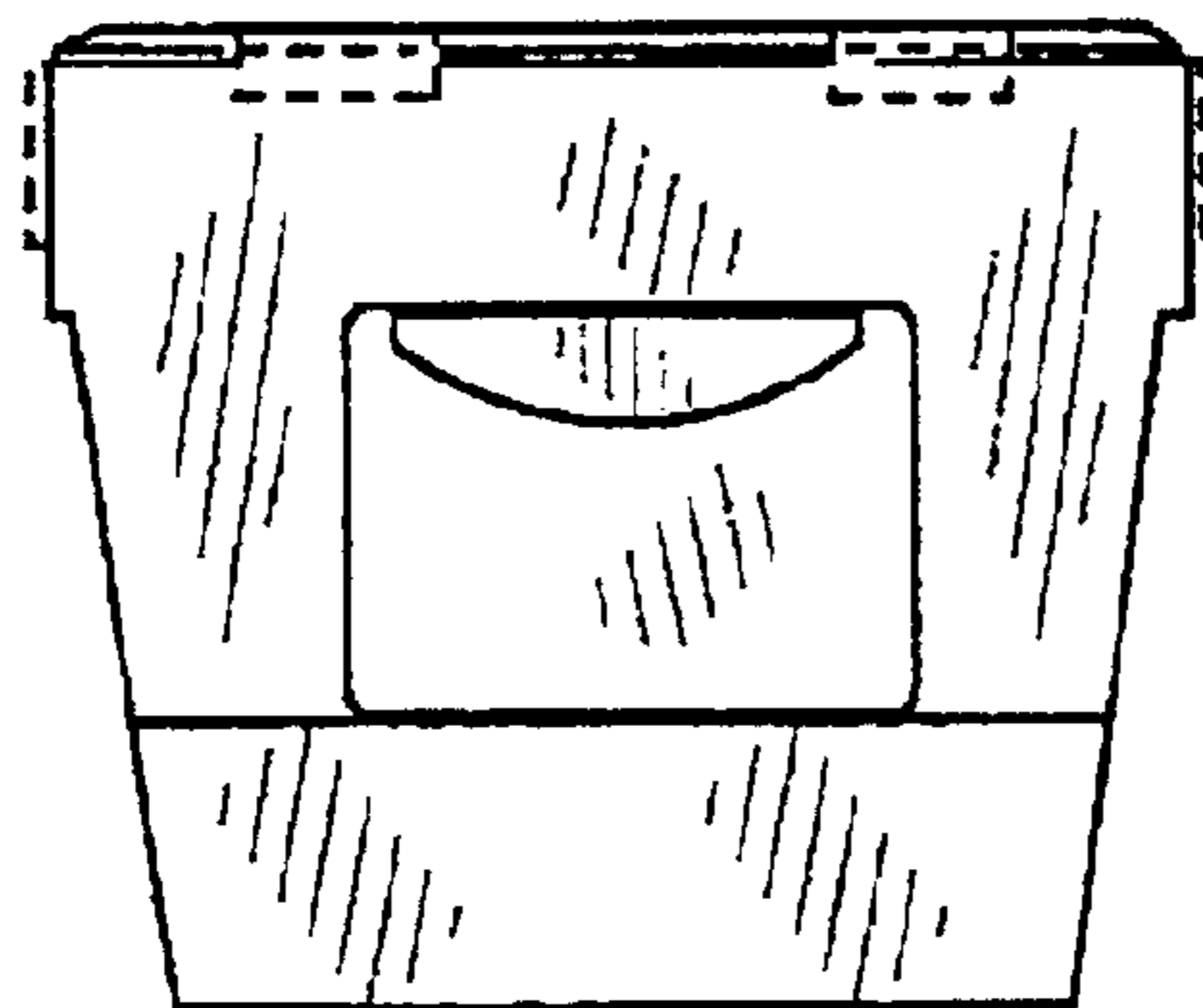


FIG. 6

