

US00D495246S1

(12) **United States Design Patent**
Tomassetti

(10) **Patent No.:** **US D495,246 S**

(45) **Date of Patent:** **** Aug. 31, 2004**

(54) **RAZOR PACKAGE**

(76) Inventor: **Louis D. Tomassetti**, 2745 E. Atlantic Blvd., Suite 300, Pompano Beach, FL (US) 33062

(**) Term: **14 Years**

(21) Appl. No.: **29/194,827**

(22) Filed: **Dec. 1, 2003**

(51) **LOC (7) Cl.** **09-03**

(52) **U.S. Cl.** **D9/415; D9/342**

(58) **Field of Search** D9/415, 414, 418, D9/456, 342, 340; 206/208, 228, 352, 353, 354-360, 461-471, 806, 495

(56) **References Cited**

U.S. PATENT DOCUMENTS

D237,864 S	*	12/1975	Melerhoefer	D9/415
3,970,194 A	*	7/1976	Iten	206/228
4,140,244 A	*	2/1979	Clabby	221/281
4,261,462 A	*	4/1981	Wysocki	206/463
4,542,575 A	*	9/1985	Revoyr	29/426.2
6,016,914 A	*	1/2000	Gustafson	206/470
D430,487 S	*	9/2000	Prochaska	D9/415
D448,284 S	*	9/2001	Stanford et al.	D9/415

6,308,832 B1 * 10/2001 Pirro et al. 206/469
D462,263 S * 9/2002 Tachikawa et al. D9/415

* cited by examiner

Primary Examiner—Prabhakar Deshmukh

(74) *Attorney, Agent, or Firm*—Robert M. Downey, PA

(57) **CLAIM**

The ornamental design for a razor package, as shown and described.

DESCRIPTION

FIG. 1 is a top perspective view of a razor package showing my new design;

FIG. 2 is a front plan view thereof;

FIG. 3 is a rear plan view thereof;

FIG. 4 is a right side elevational view thereof;

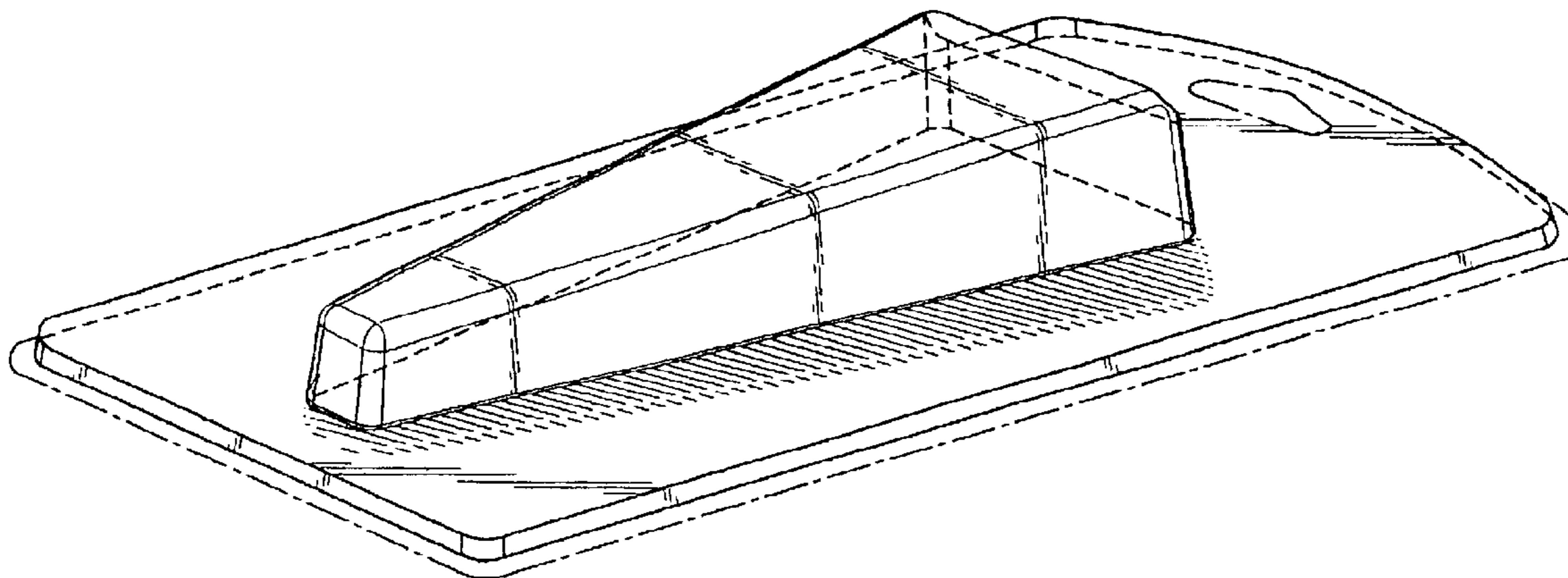
FIG. 5 is a left side elevational view thereof;

FIG. 6 is a top end elevational view thereof; and,

FIG. 7 is a bottom end elevational view thereof.

The broken lines forming the opening near the top of the package in FIGS. 1-3 and the broken lines about the outer periphery of the package throughout the drawing figures are for illustrative purposes only and form no part of the claimed design.

1 Claim, 2 Drawing Sheets



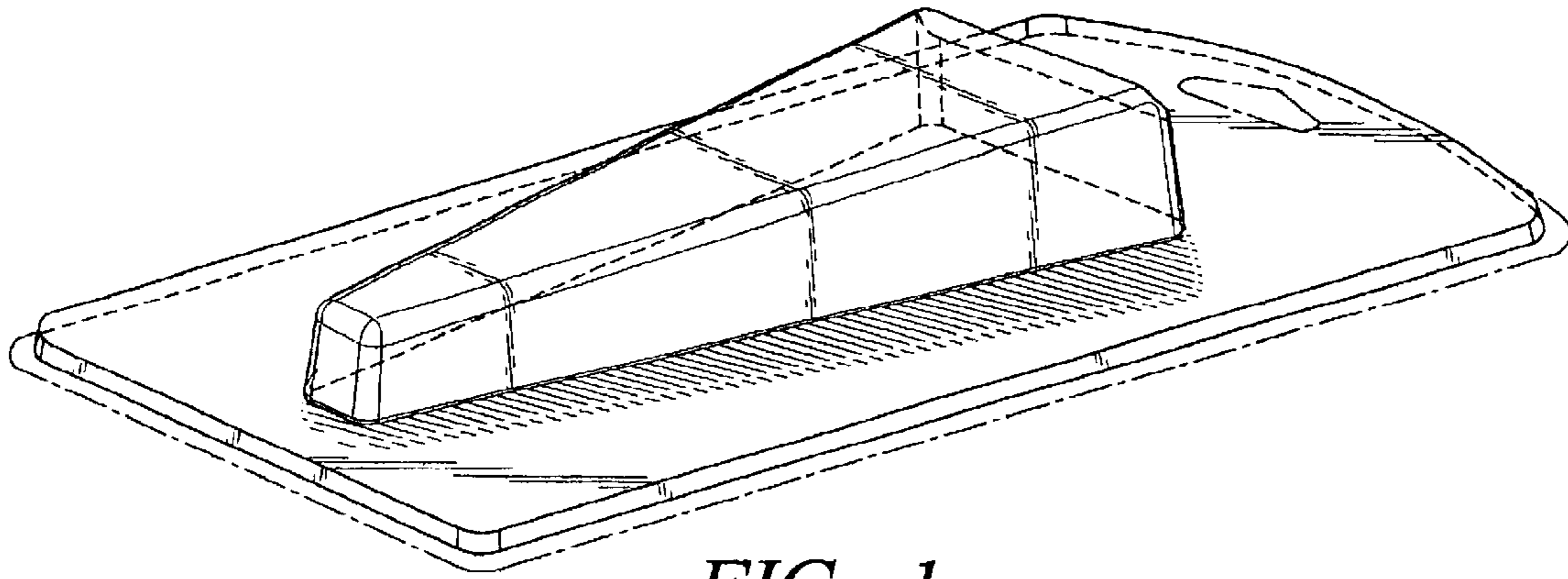


FIG. 1

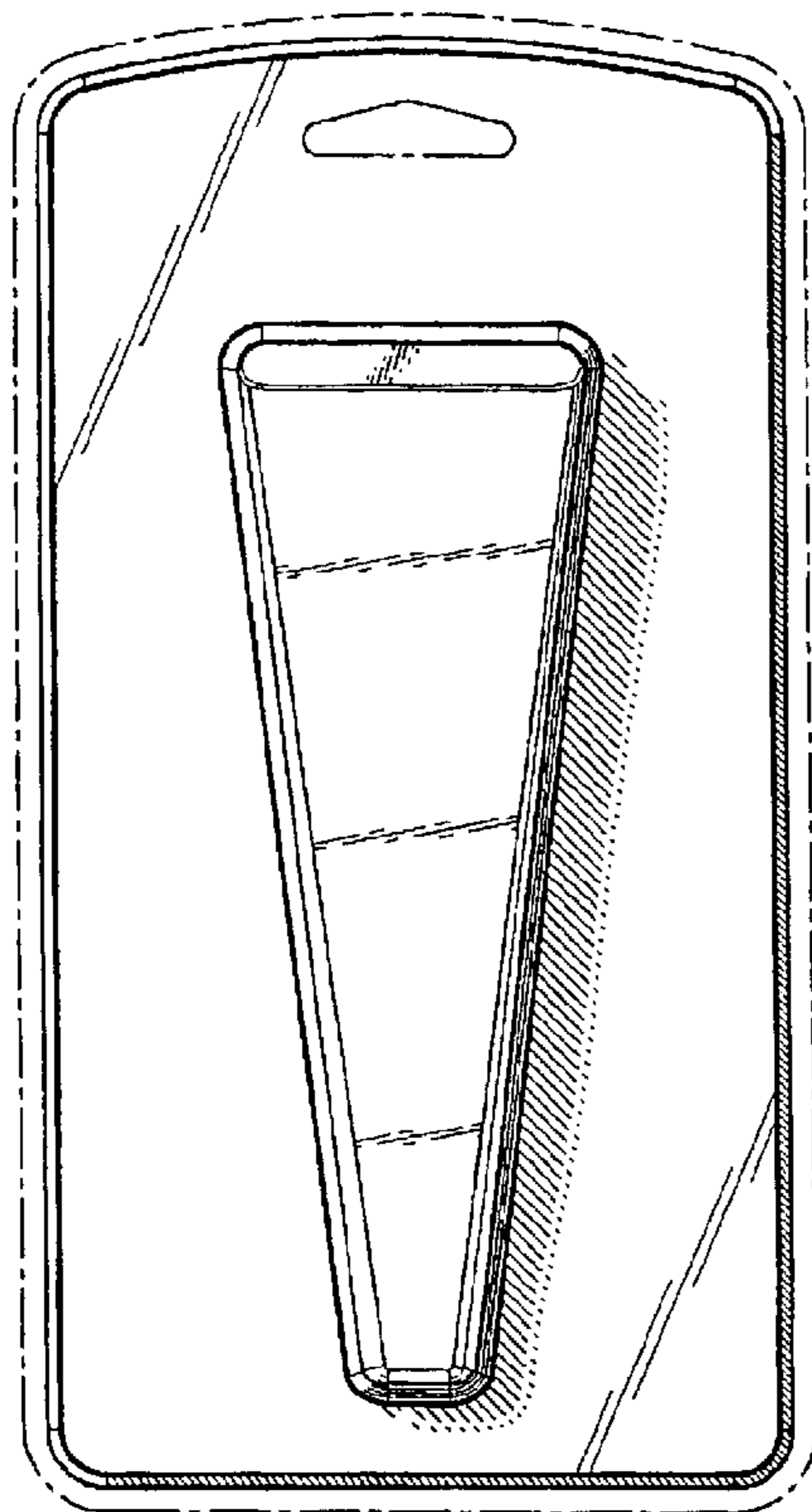


FIG. 2

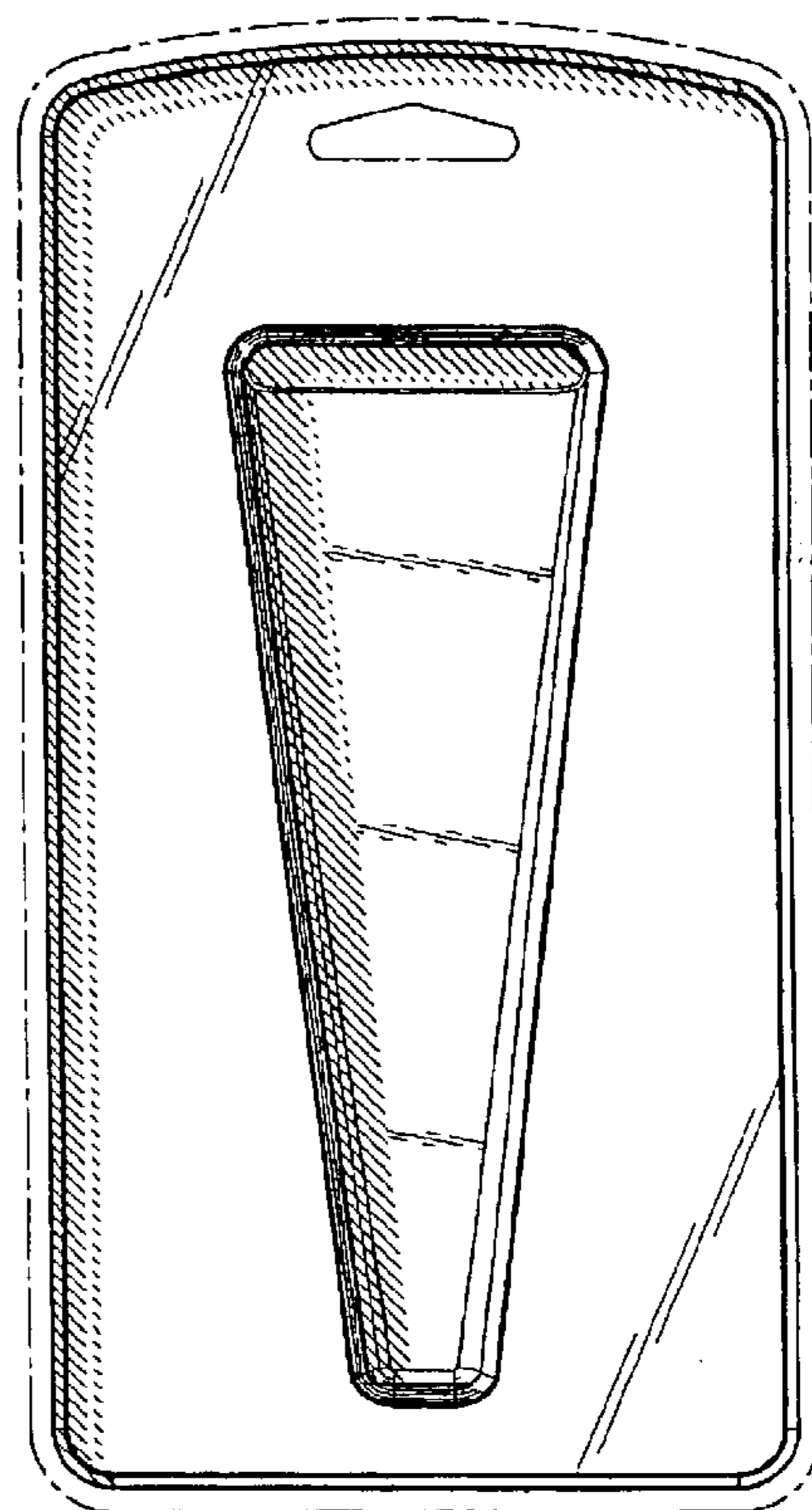


FIG. 3

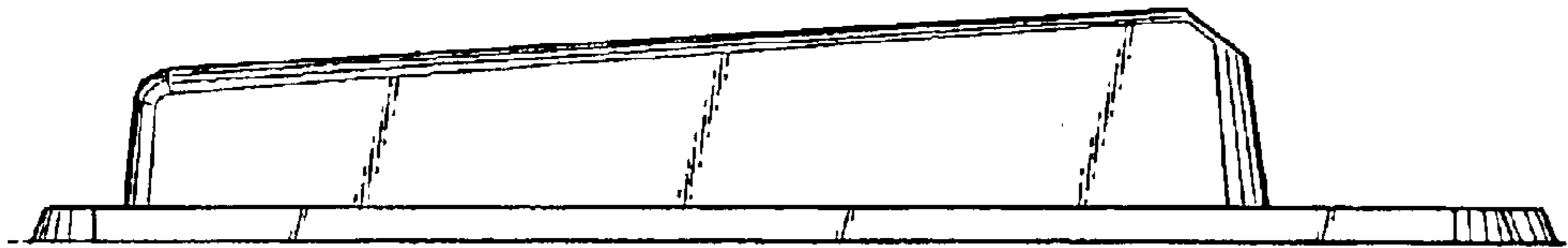


FIG. 4

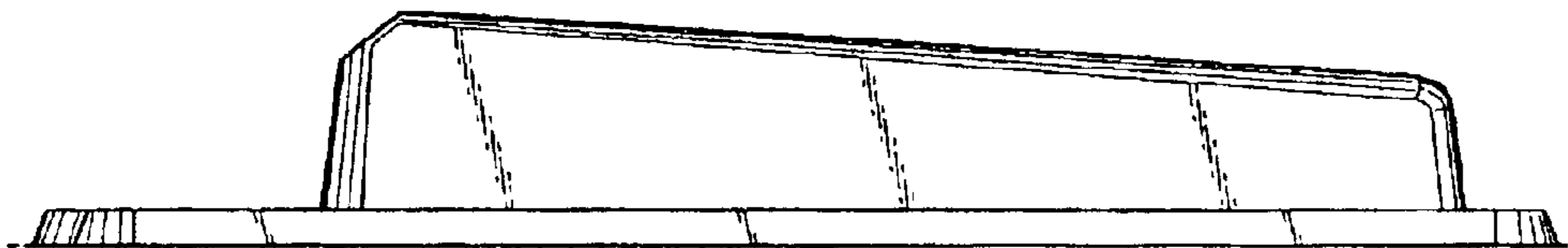


FIG. 5

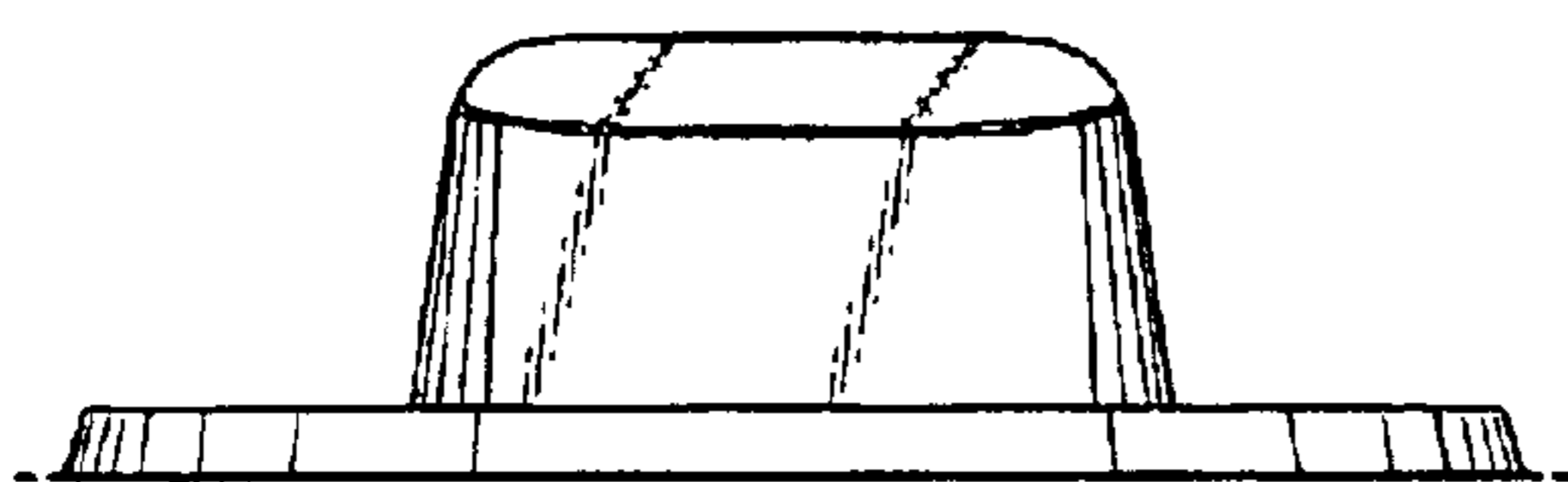


FIG. 6

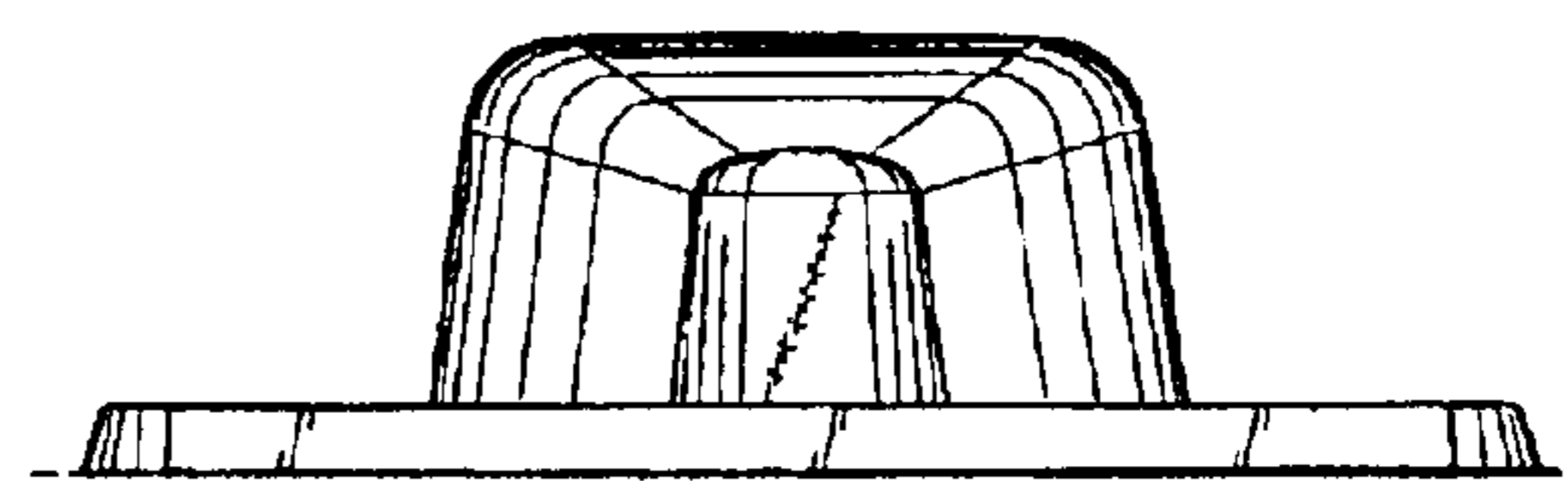


FIG. 7