

US00D495244S1

(12) **United States Design Patent**
Ward

(10) **Patent No.:** **US D495,244 S**
(45) **Date of Patent:** **** Aug. 31, 2004**

(54) **RAFTER CONNECTOR ASSEMBLY**

(76) Inventor: **Gary L. Ward**, 395 N. Range Line,
Rd., Pleasant Hill, OH (US) 45359

(**) Term: **14 Years**

(21) Appl. No.: **29/192,244**

(22) Filed: **Oct. 22, 2003**

(51) **LOC (7) Cl.** **08-08**

(52) **U.S. Cl.** **D8/382**

(58) **Field of Search** D8/382, 354, 373;
248/57, 62

(56) **References Cited**

U.S. PATENT DOCUMENTS

- D257,947 S * 1/1981 Reynoso D8/373
- D288,720 S * 3/1987 Gould D25/126
- D359,466 S * 6/1995 Eggers et al. D12/115
- D435,433 S * 12/2000 Miller et al. D8/354

FOREIGN PATENT DOCUMENTS

JP 10338999 A * 12/1998 E04D/1/34

* cited by examiner

Primary Examiner—Holly Baynham

(74) *Attorney, Agent, or Firm*—Jacox, Meckstroth & Jenkins

(57) **CLAIM**

The ornamental design of a rafter connector assembly, as shown and described.

DESCRIPTION

FIG. 1 is a perspective view of a rafter connector assembly showing my new design;

FIG. 2 is a top view thereof, the bottom view being a mirror image;

FIG. 3 is a side view thereof; and,

FIG. 4 is an end view thereof, the opposite end view being a mirror image.

The middle portion of the rod is broken away in FIGS. 1–3 to disclose indefinite length, and the broken lines in FIG. 3 showing rafters are for illustrative purposes only and form no part of the claimed design.

1 Claim, 2 Drawing Sheets

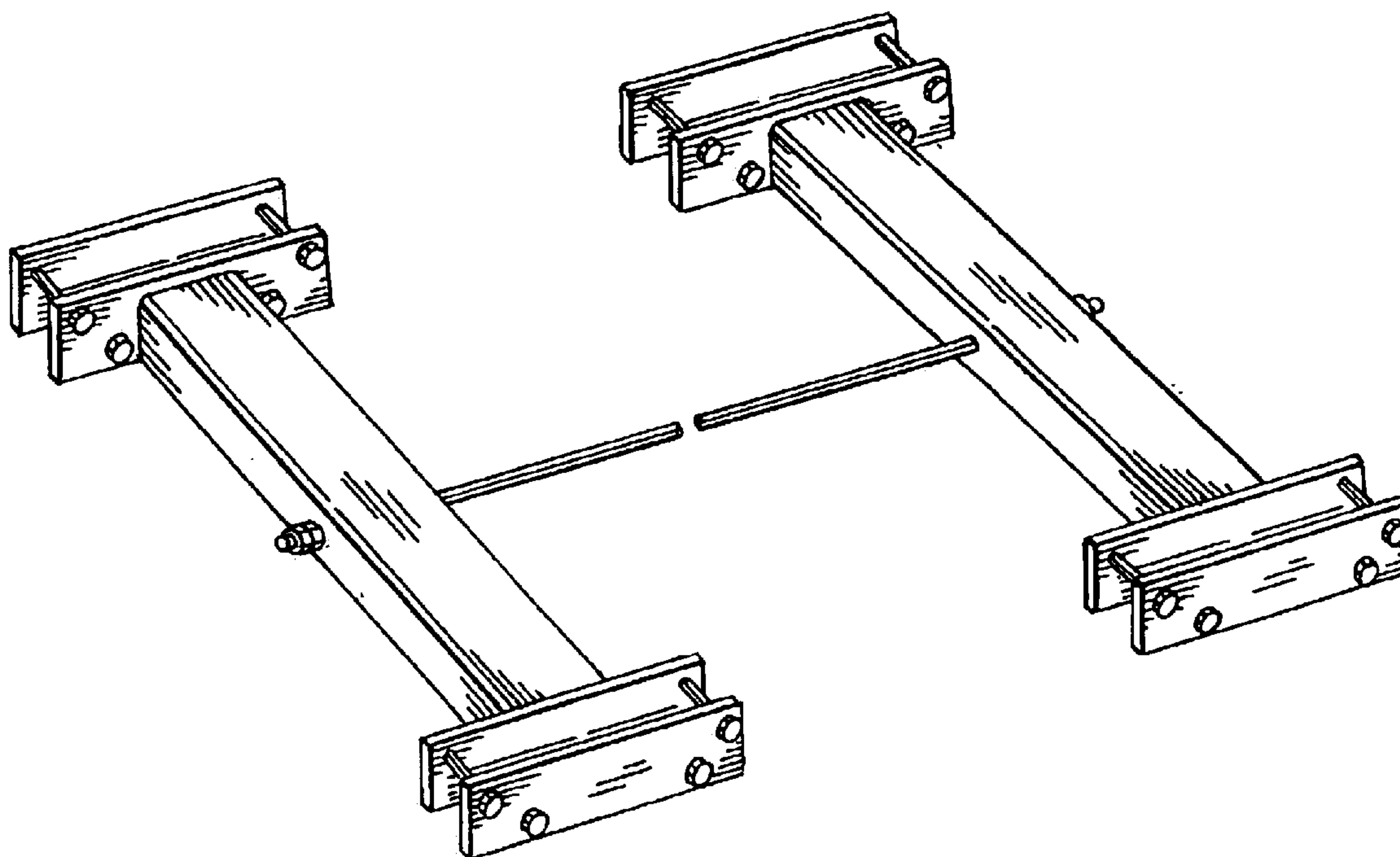


FIG-1

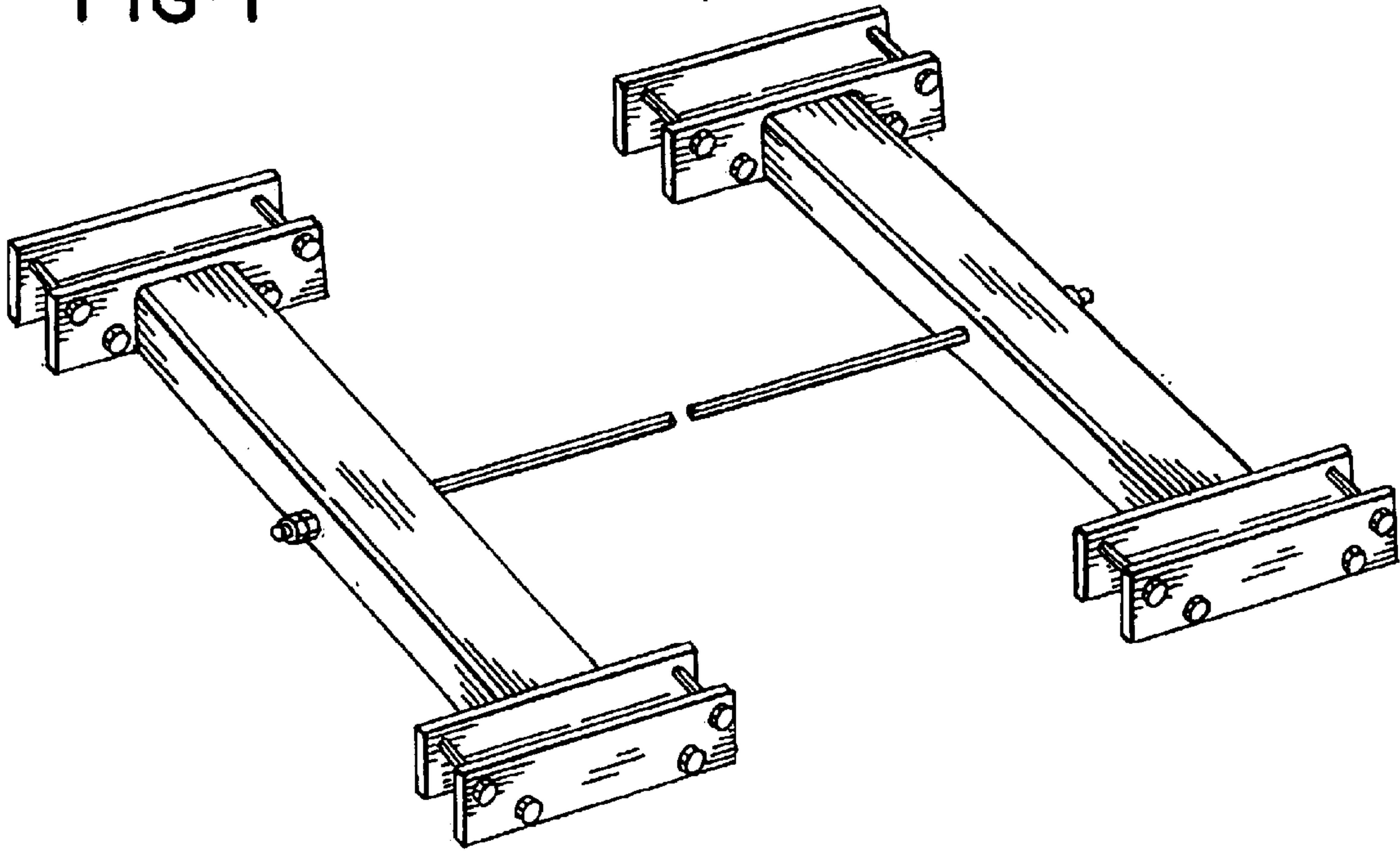


FIG-2

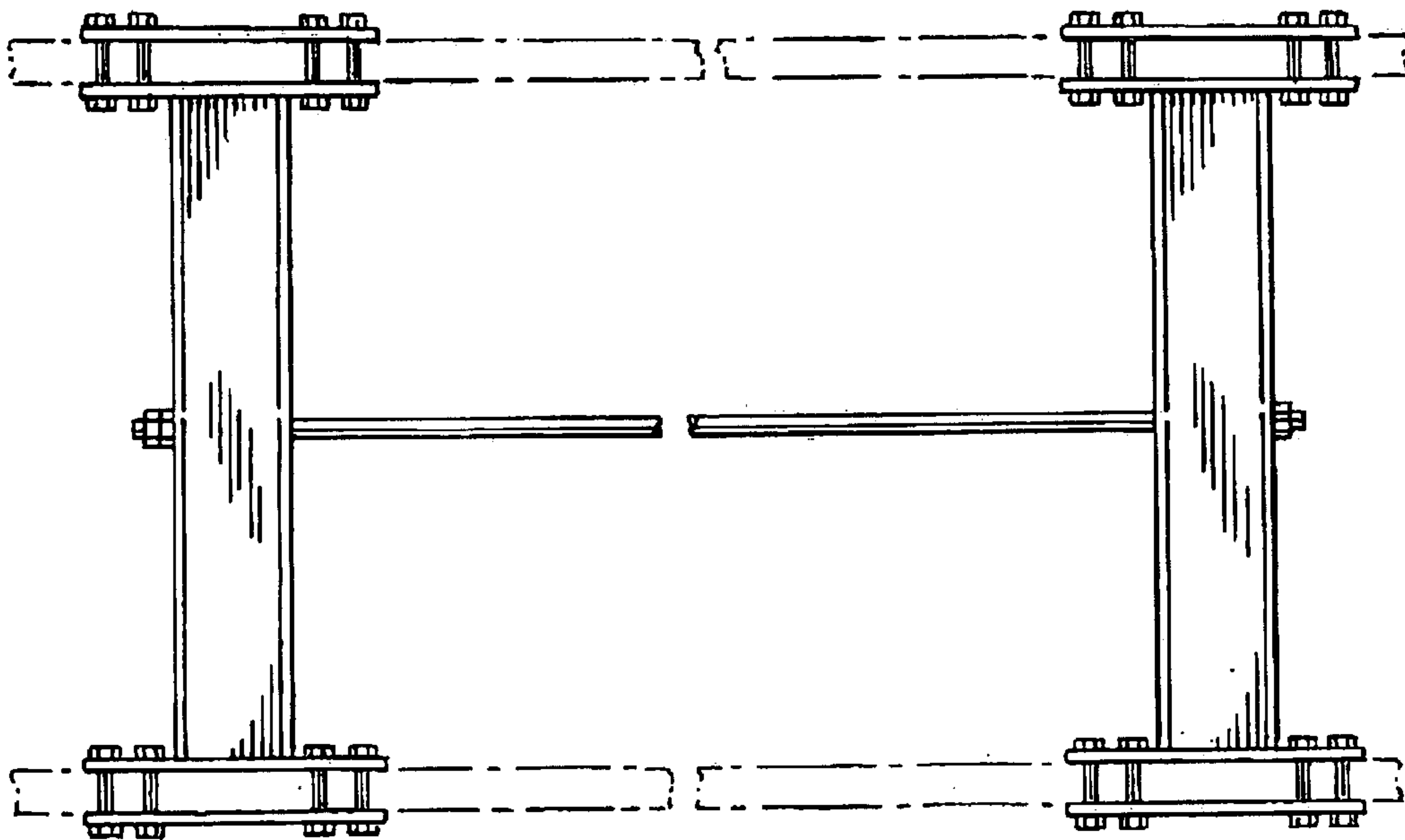


FIG-3



FIG-4

