



US00D495243S1

(12) **United States Design Patent**
Winig et al.

(10) **Patent No.:** **US D495,243 S**
(45) **Date of Patent:** **** Aug. 31, 2004**

(54) **HOOK**

(75) Inventors: **Alan Winig**, Wynnewood, PA (US);
Richard Winig, Villanova, PA (US);
James Eldon, Barto, PA (US)

(73) Assignee: **Eye Designs LLC**, Collegeville, PA
(US)

(**) **Term:** **14 Years**

(21) **Appl. No.:** **29/186,185**

(22) **Filed:** **Jul. 11, 2003**

Related U.S. Application Data

(63) Continuation of application No. 29/175,135, filed on Jan. 30,
2003, now Pat. No. Des. 478,500.

(51) **LOC (7) Cl.** **08-05**

(52) **U.S. Cl.** **D8/367; D8/395**

(58) **Field of Search** D8/395, 396, 393,
D8/367; 248/217.2, 206.5, 301-305, 316.7,
74.2; 411/41; 24/508-509; 211/113, 13;
D6/326

(56) **References Cited**

U.S. PATENT DOCUMENTS

3,343,773 A * 9/1967 Ernest 248/217.2
D295,811 S * 5/1988 Larsson D6/326

5,409,336 A * 4/1995 Jericevich et al. 411/41
5,489,078 A * 2/1996 Risley 248/231.81
5,496,005 A * 3/1996 Dieringer 248/74.2
5,720,398 A * 2/1998 Kump et al. 211/113
5,731,955 A * 3/1998 Bartanen et al. 361/704
D418,744 S * 1/2000 Anderson D8/395
D478,499 S 8/2003 Winig et al.
D478,500 S 8/2003 Winig et al.
D478,805 S 8/2003 Winig et al.

* cited by examiner

Primary Examiner—Pamela Burgess

(74) *Attorney, Agent, or Firm*—Duane Morris LLP

(57) **CLAIM**

The ornamental design for a hook, as shown and described.

DESCRIPTION

FIG. 1 is a perspective view of the hook according to the invention;

FIG. 2 is a right side view of the hook;

FIG. 3 is a left side view of the hook;

FIG. 4 is a front view of the hook;

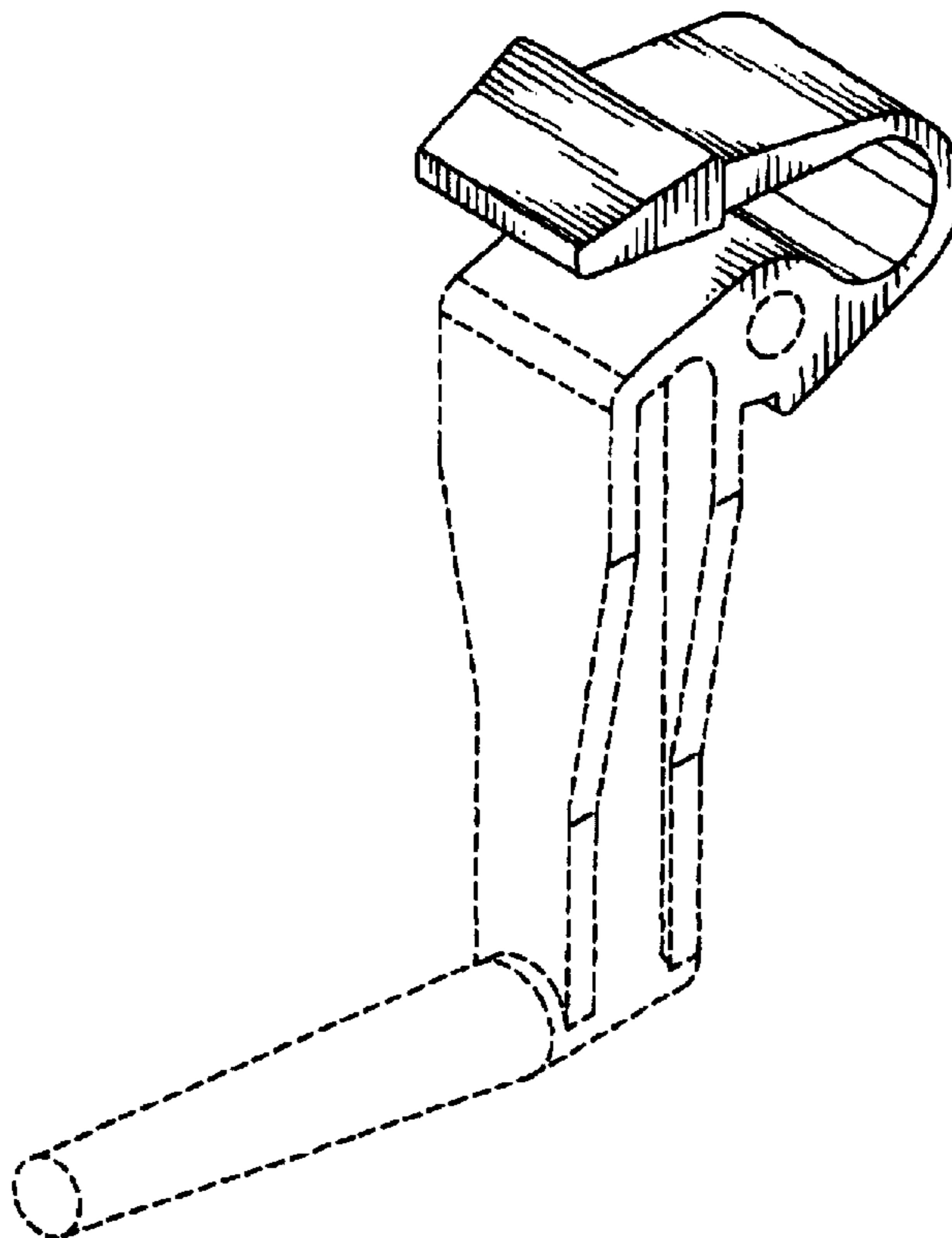
FIG. 5 is a rear view of the hook;

FIG. 6 is a top view of the hook; and,

FIG. 7 is a bottom view of the hook.

The broken line showing of structure is for illustrative purposes only and forms no part of the claimed design.

1 Claim, 3 Drawing Sheets



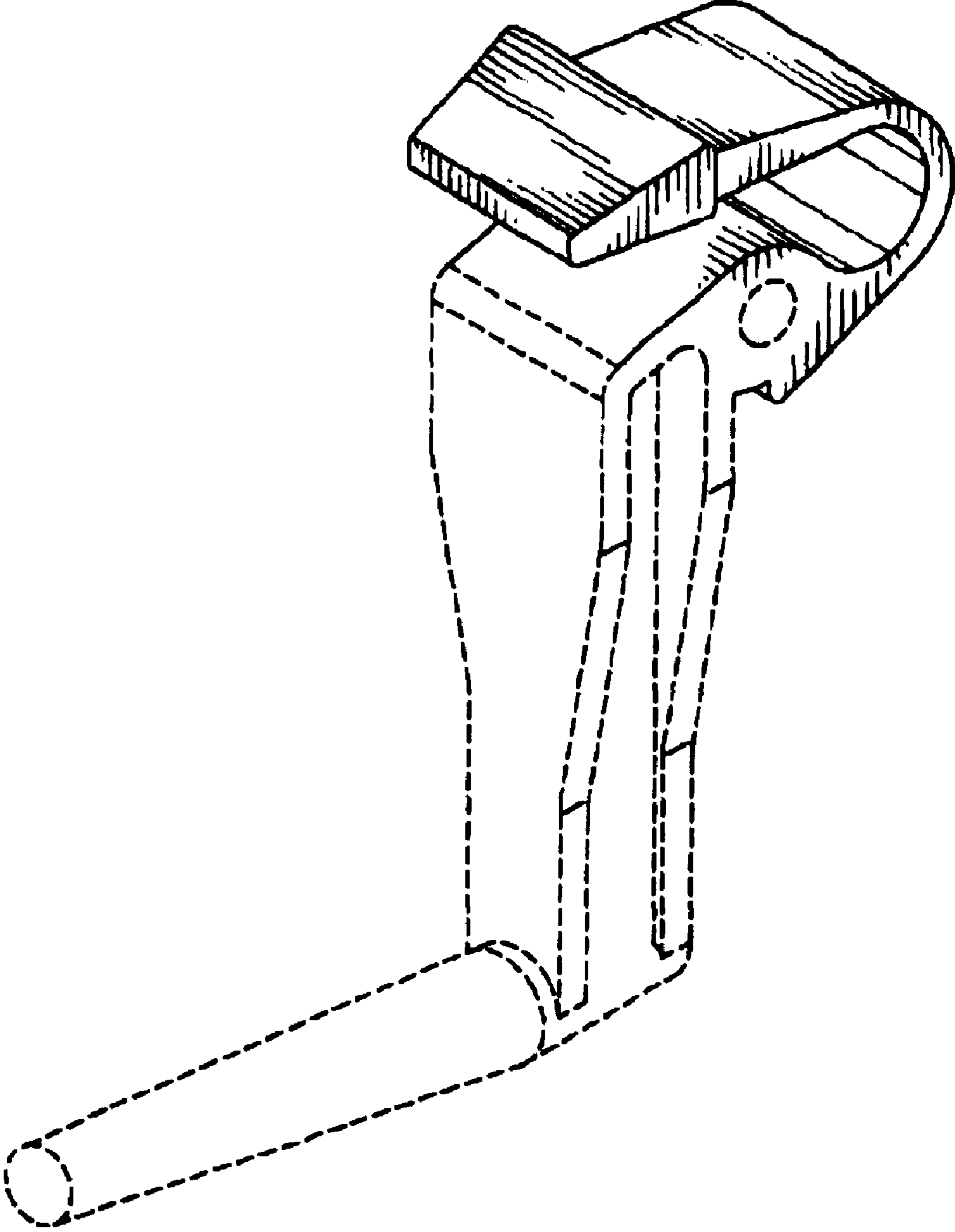


FIG. 1

FIG. 2

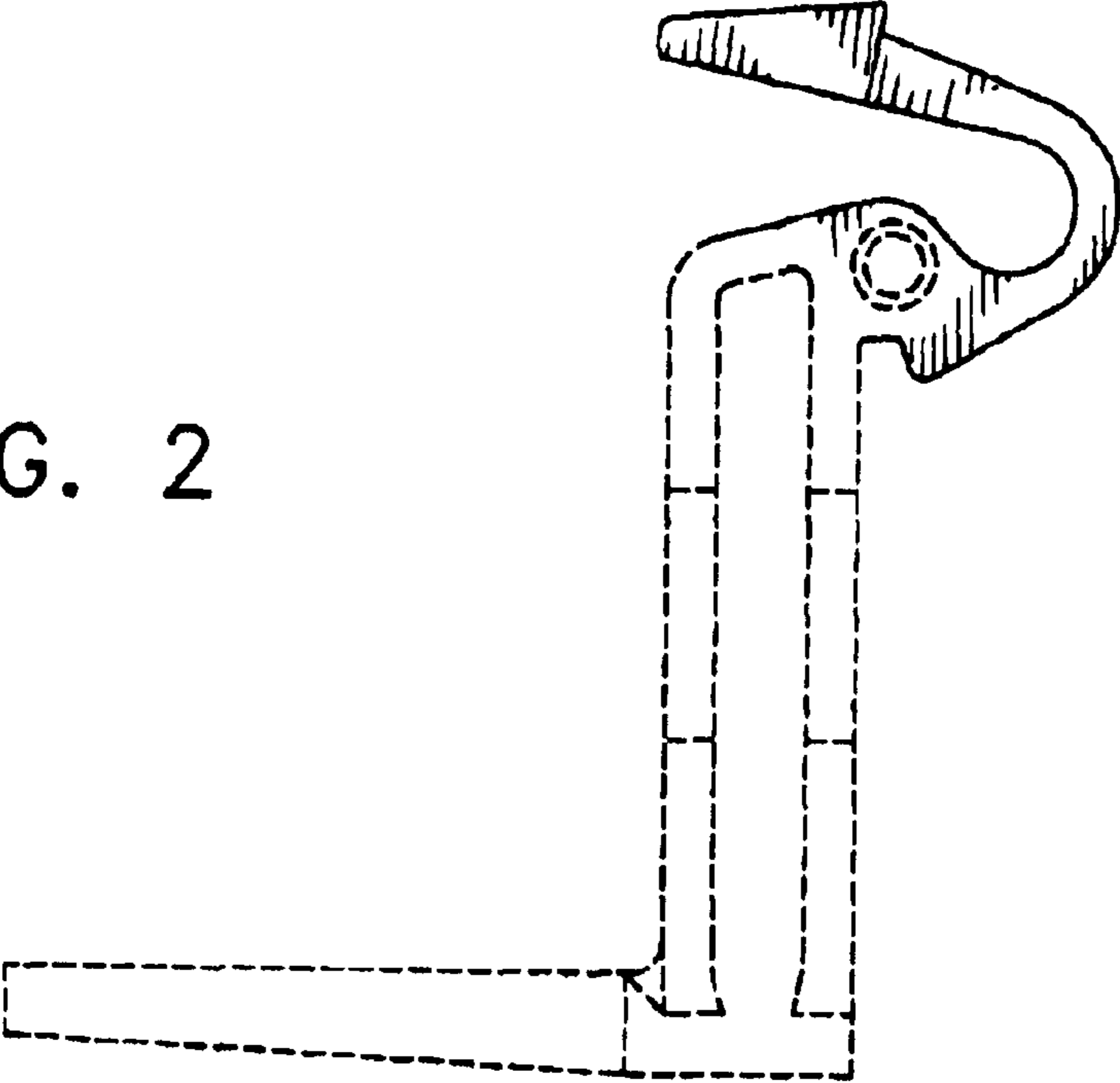
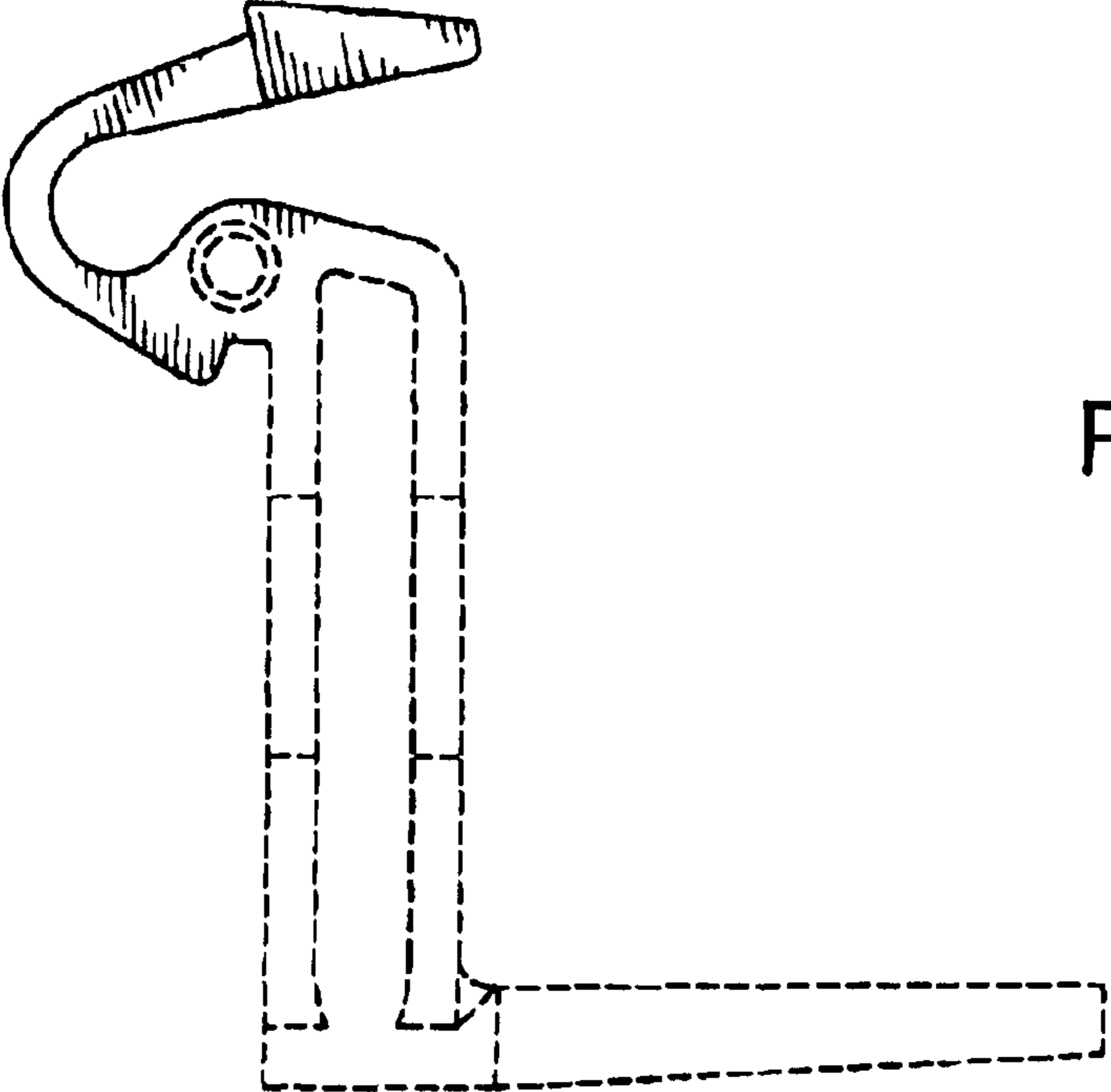


FIG. 3



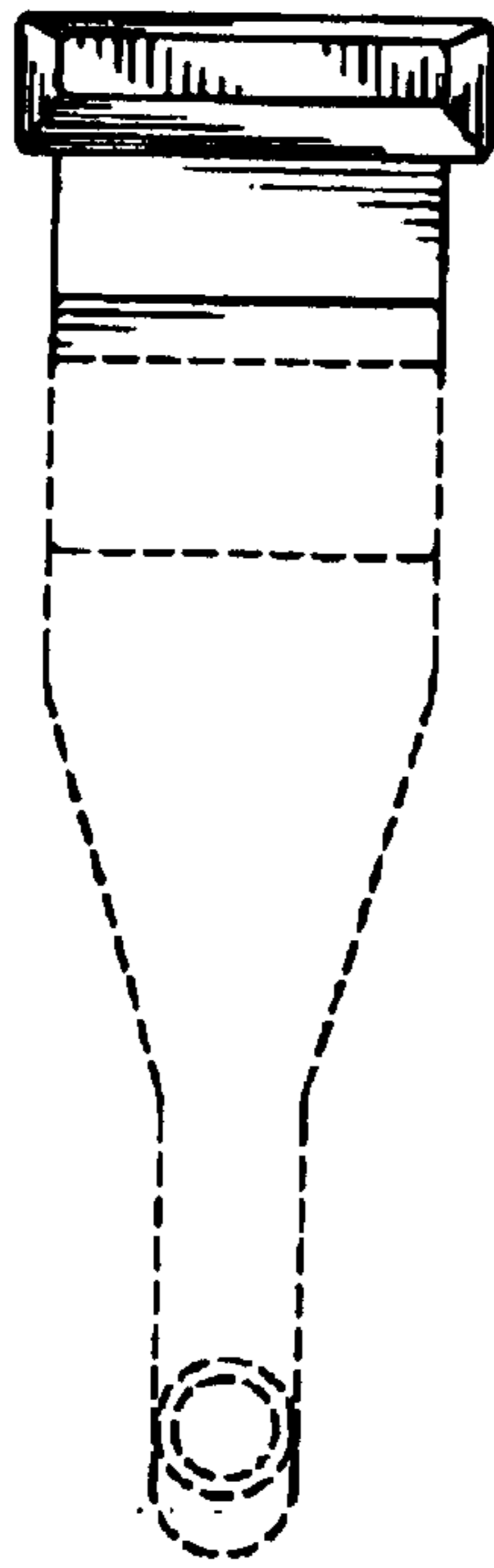


FIG. 4

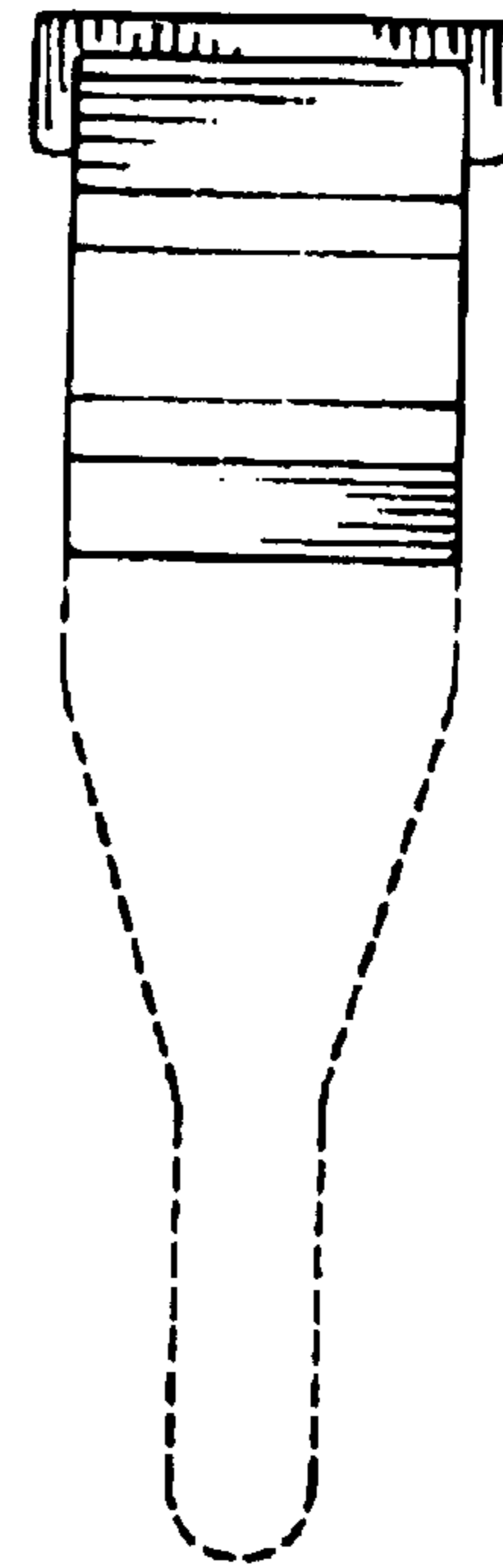


FIG. 5

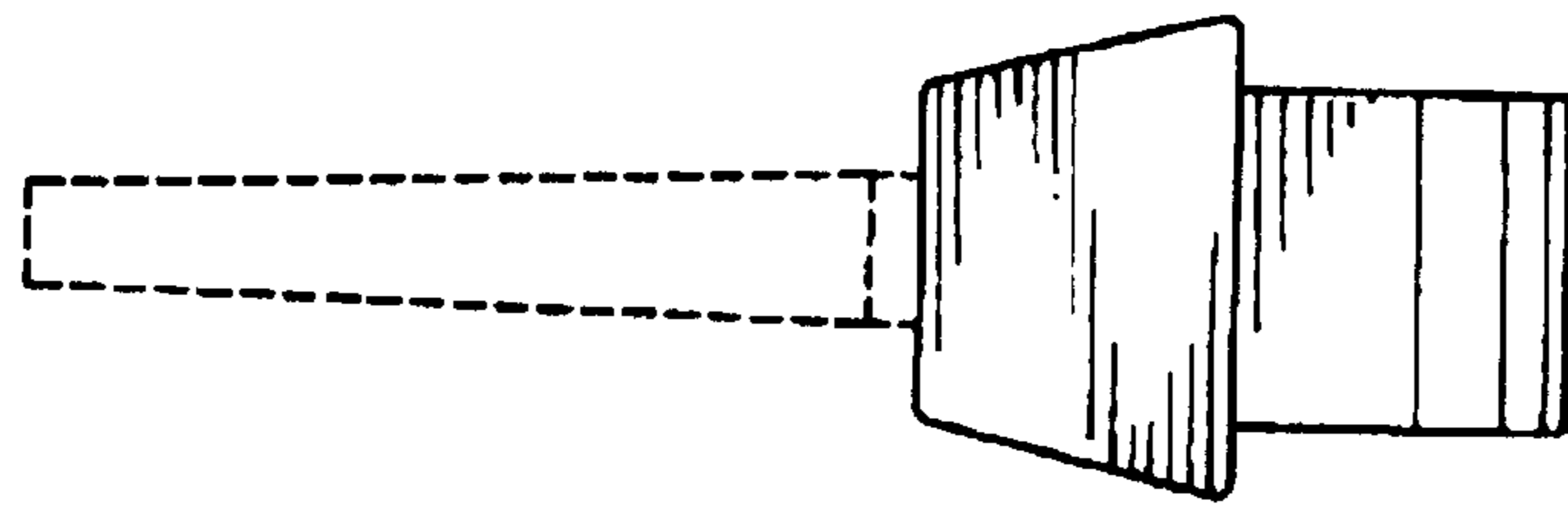


FIG. 6

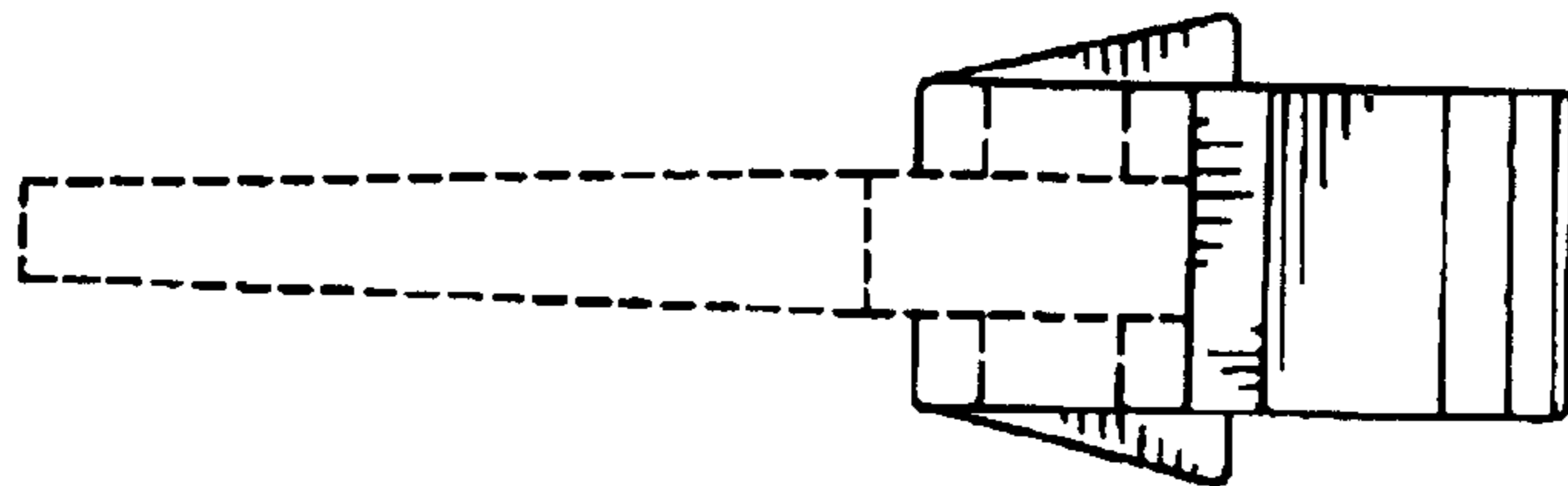


FIG. 7