



US00D495239S1

(12) **United States Design Patent**  
**Neal, III**

(10) **Patent No.:** **US D495,239 S**  
(45) **Date of Patent:** **\*\* Aug. 31, 2004**

(54) **PROP FOR A GASOLINE PUMP NOZZLE TRIGGER**

(76) Inventor: **Edward L. Neal, III**, 18401  
Warrington, Detroit, MI (US) 48221

(\*\*) Term: **14 Years**

(21) Appl. No.: **29/186,980**

(22) Filed: **Jul. 25, 2003**

(51) **LOC (7) Cl.** ..... **08-08**

(52) **U.S. Cl.** ..... **D8/349**

(58) **Field of Search** ..... D3/210; D8/14,  
D8/349, 354, 373, 380; D13/183; D15/9.1;  
74/526; 141/390, 391, 392; 248/351, 352;  
251/90, 115

(56) **References Cited**

**U.S. PATENT DOCUMENTS**

4,210,181	A	*	7/1980	Clevenger	.....	141/392
4,337,917	A	*	7/1982	Tesack et al.	.....	251/90
D297,612	S	*	9/1988	Friezner	.....	D8/354
D299,112	S	*	12/1988	Downey	.....	D8/354
D316,029	S	*	4/1991	Taramaschi	.....	D8/354
D326,462	S	*	5/1992	Cooper	.....	D15/9.1
5,238,036	A	*	8/1993	Bunce	.....	141/392
D357,399	S	*	4/1995	Miller	.....	D8/354
5,752,554	A	*	5/1998	Campbell	.....	141/392
6,070,625	A	*	6/2000	Robinson et al.	.....	141/392

D438,765 S \* 3/2001 Weir ..... D8/17  
2002/0185622 A1 \* 12/2002 Bruns ..... 251/90

\* cited by examiner

*Primary Examiner*—James Gandy  
*Assistant Examiner*—Elizabeth Albert

(74) *Attorney, Agent, or Firm*—John R. Benefiel

(57) **CLAIM**

The ornamental design for prop for a gasoline pump nozzle trigger, as shown and described.

**DESCRIPTION**

FIG. 1 is a perspective view of a prop for a gasoline pump nozzle trigger according to the present invention.

FIG. 2 is a front elevational view of a prop for a gasoline pump nozzle trigger shown in FIG. 1.

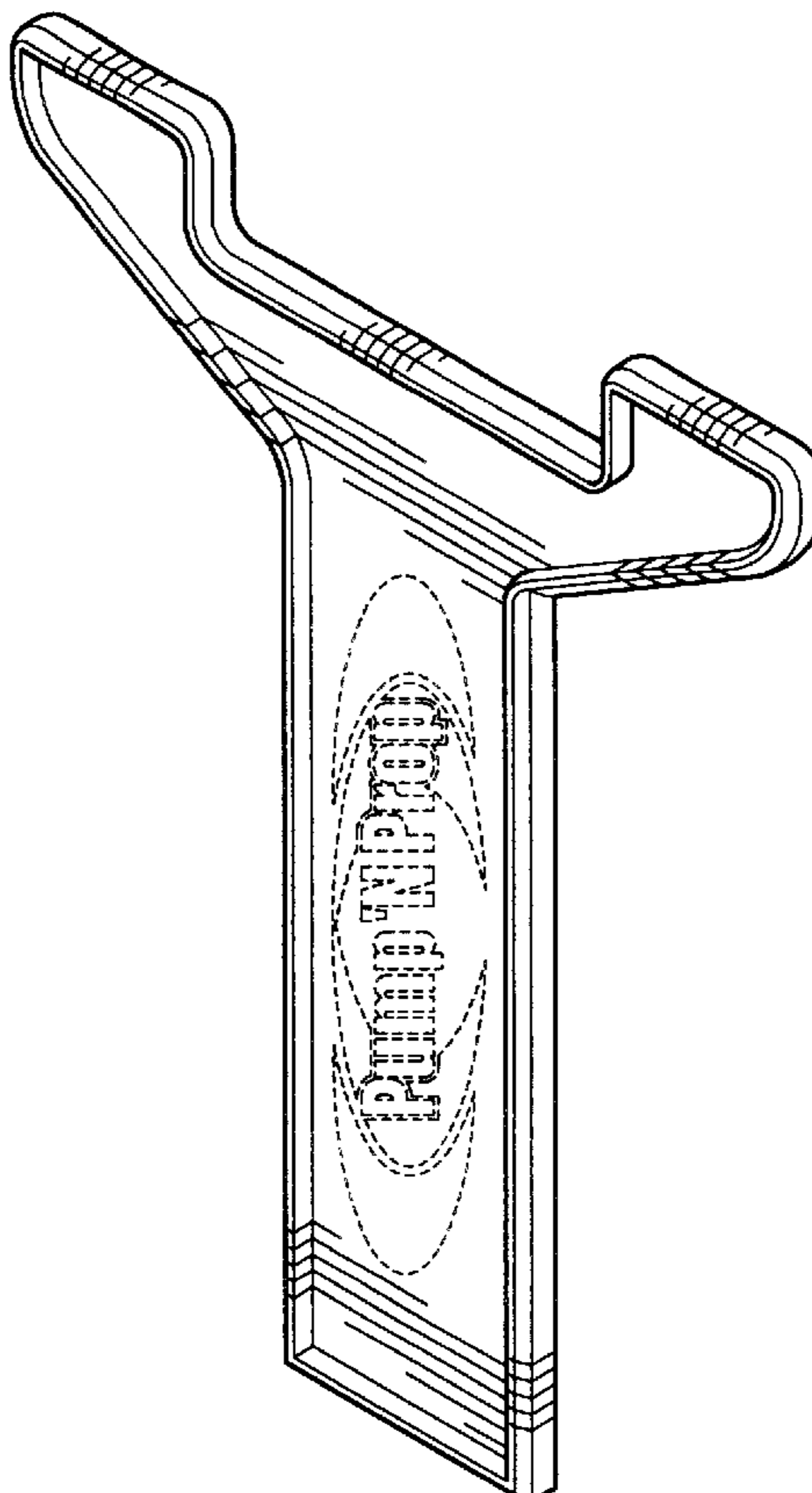
FIG. 3 is a right side view of the prop for a gasoline pump nozzle trigger shown in FIGS. 1 and 2, the left side being identical.

FIG. 4 is a top view of the prop for a gasoline pump nozzle trigger shown in FIGS. 1-3; and,

FIG. 5 is a bottom view of the prop for a gasoline pump nozzle trigger shown in FIGS. 1-4.

The broken lines showing environment in the drawings are for illustrative purposes only and form no part of the claimed design.

**1 Claim, 1 Drawing Sheet**



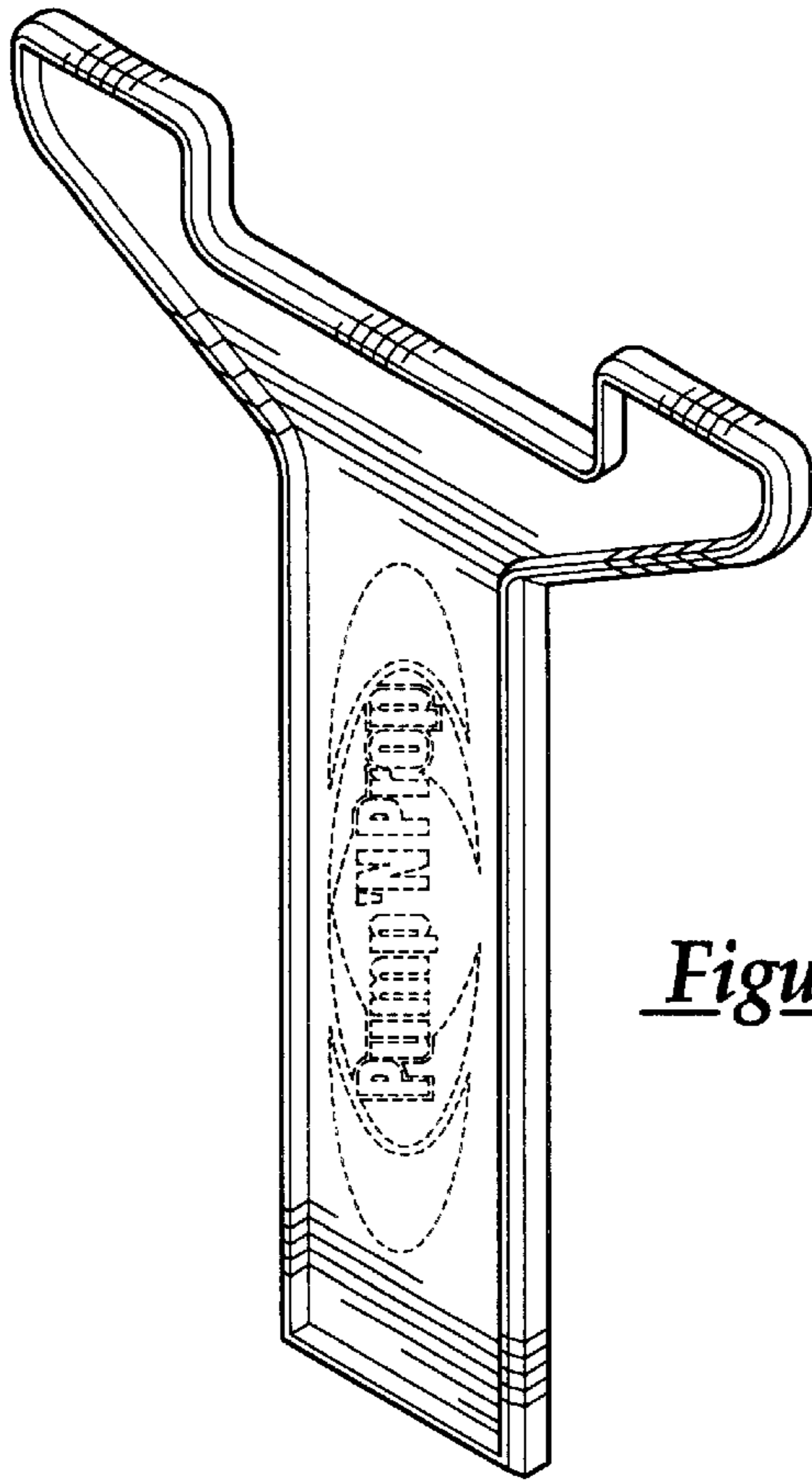


Figure 1

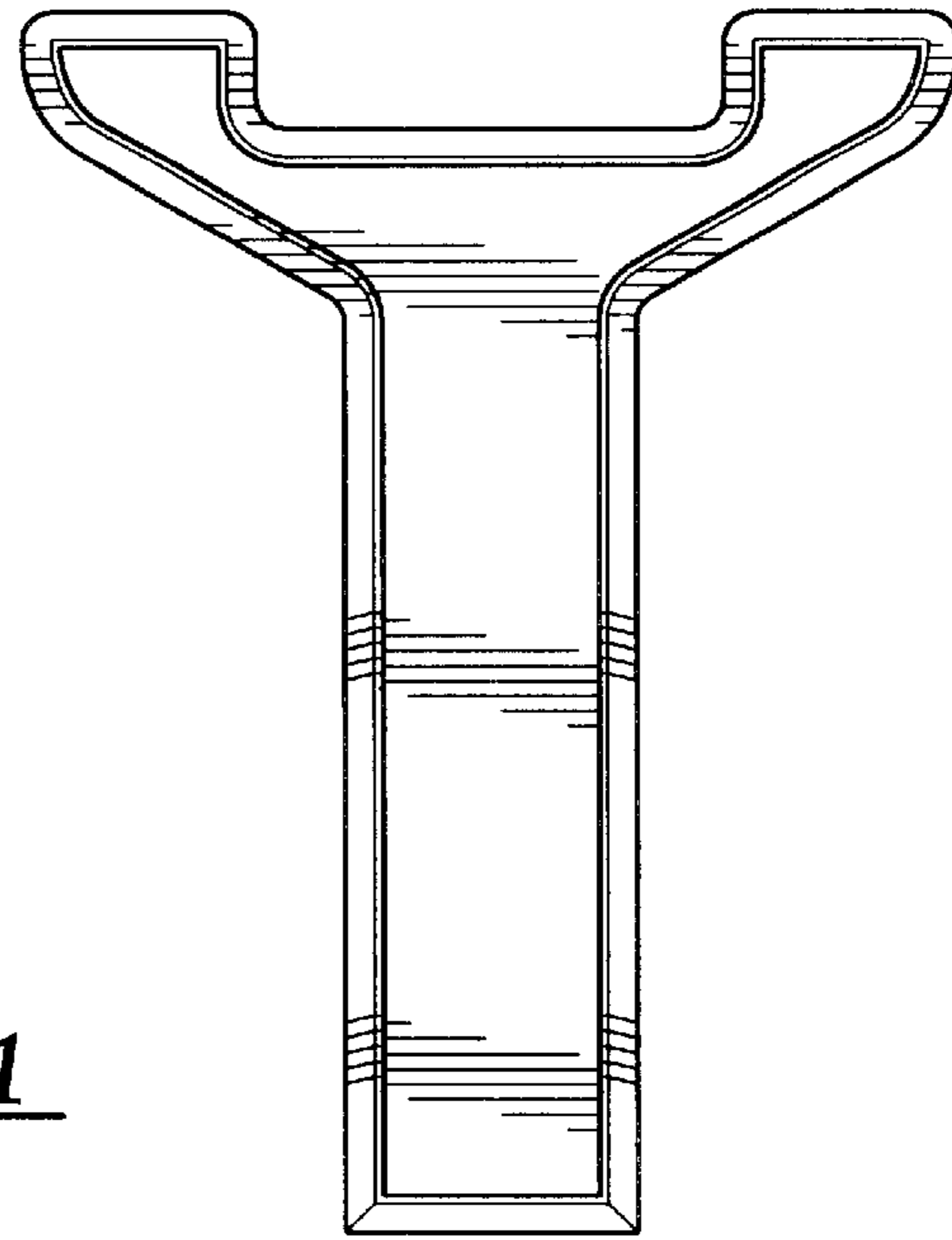


Figure 2

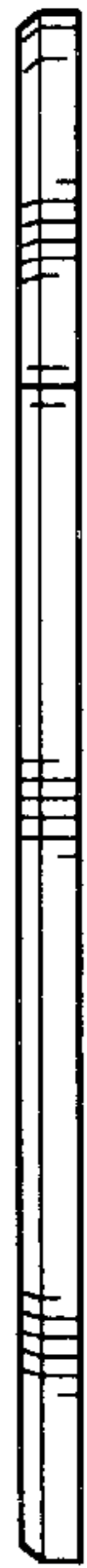


Figure 3



Figure 4



Figure 5