

US00D495237S1

(12) **United States Design Patent**
Tozer

(10) **Patent No.:** **US D495,237 S**

(45) **Date of Patent:** **** Aug. 31, 2004**

(54) **LATCH FURNITURE**

(75) **Inventor:** **Chad Joel Tozer, Whakatane (NZ)**

(73) **Assignee:** **Assa Abloy Financial Services AB,**
Stockholm (SE)

(**) **Term:** **14 Years**

(21) **Appl. No.:** **29/192,900**

(22) **Filed:** **Oct. 29, 2003**

(30) **Foreign Application Priority Data**

Apr. 30, 2003 (NZ) 403482

(51) **LOC (7) Cl.** **08-07**

(52) **U.S. Cl.** **D8/343; D8/331**

(58) **Field of Search** **D8/330, 331, 343,**
D8/339, 341, 342, 302, 300; 292/137, 157,
163, 171, 175, 150, DIG. 30

(56) **References Cited**

U.S. PATENT DOCUMENTS

4,736,972	A	*	4/1988	Mosch	292/204
4,790,579	A	*	12/1988	Maxwell et al.	292/175
5,096,240	A	*	3/1992	Schultz	292/153
D392,099	S	*	3/1998	Wang	D3/318
D399,121	S	*	10/1998	Alyanakian et al.	D8/339
D406,746	S	*	3/1999	Bullard	D8/343
6,079,527	A	*	6/2000	Kuo	190/115

D452,810	S	*	1/2002	Anderson	D8/339
D453,468	S	*	2/2002	Ziemer et al.	D8/339
D483,649	S	*	12/2003	Linford et al.	D8/339

* cited by examiner

Primary Examiner—Prabhakar Deshmukh

(74) *Attorney, Agent, or Firm*—Blakely Sokoloff Taylor & Zafman LLP

(57) **CLAIM**

The ornamental design for latch furniture, as shown and described.

DESCRIPTION

FIG. 1 is a perspective view of the latch furniture showing my new design;

FIG. 2 is a further perspective view thereof but showing the slide member at the other end of its travel;

FIG. 3 is a front elevation view thereof;

FIG. 4 is a back elevation view thereof;

FIG. 5 is a side elevation view thereof when viewed from the top of FIG. 3;

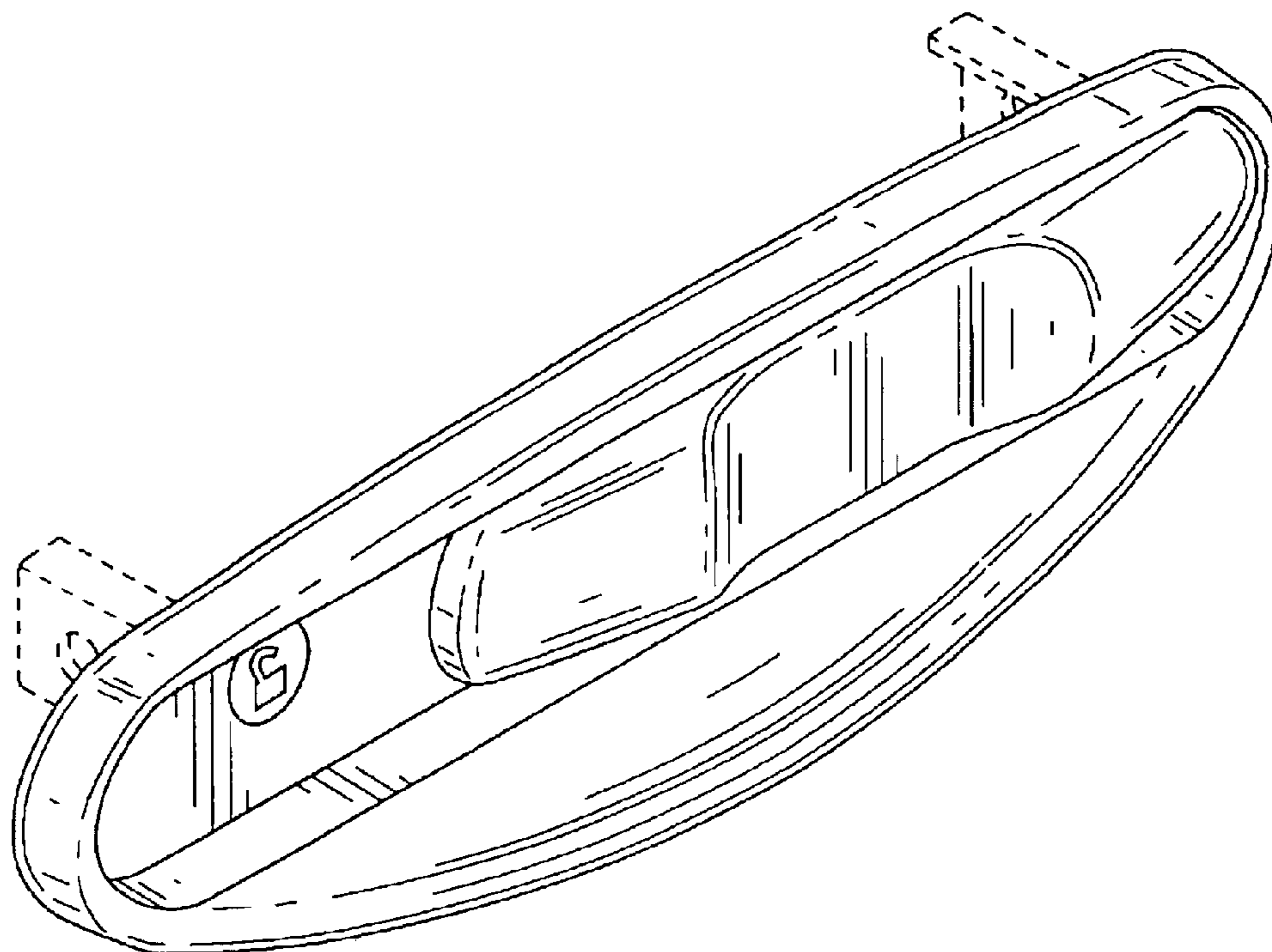
FIG. 6 is a side elevation view thereof;

FIG. 7 is an end elevation view thereof; and,

FIG. 8 is an end elevation view thereof when viewed from the right of FIG. 3.

The broken lines are for illustrative purpose only and form no part of the claimed design.

1 Claim, 4 Drawing Sheets



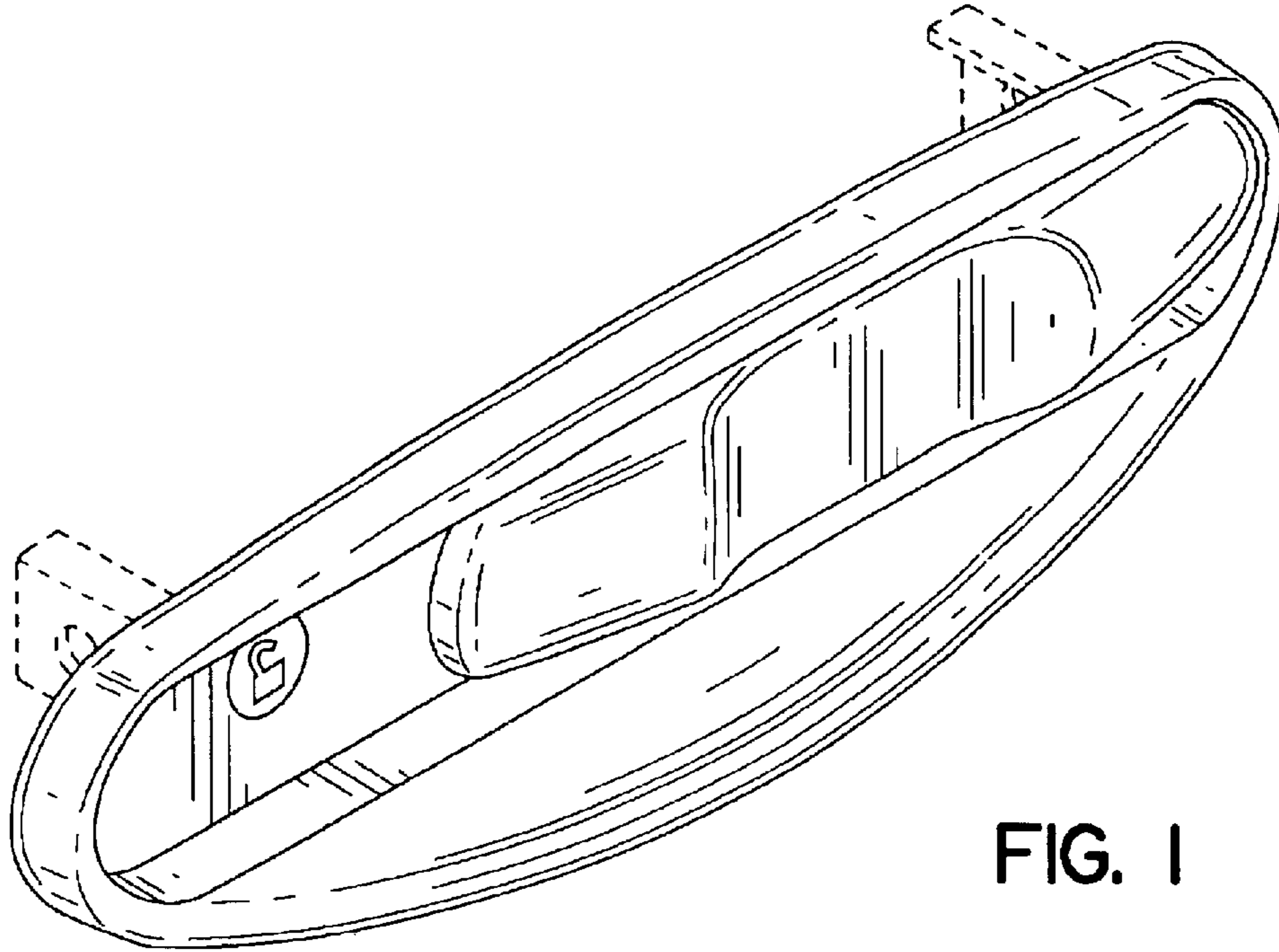


FIG. 1

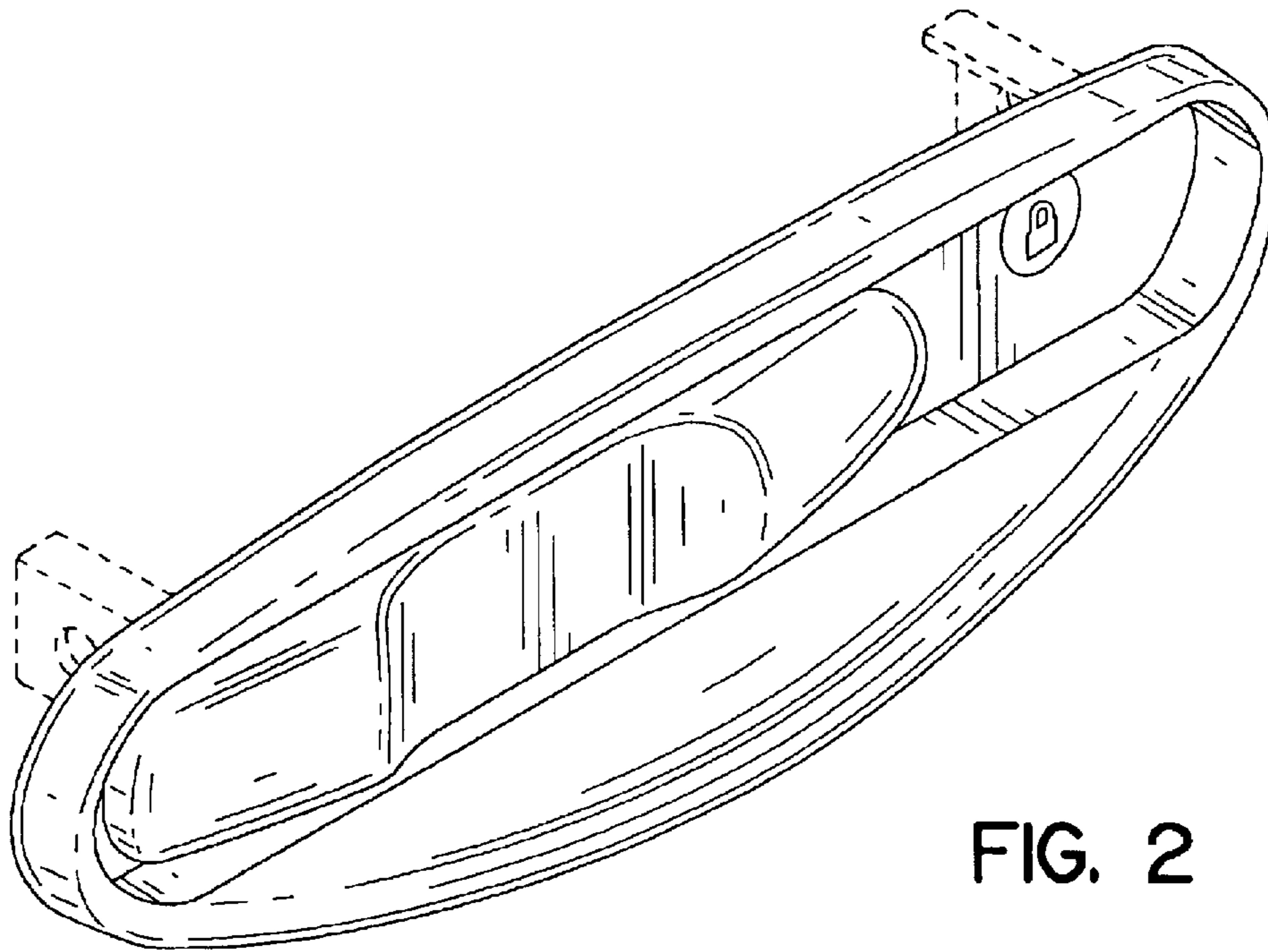


FIG. 2

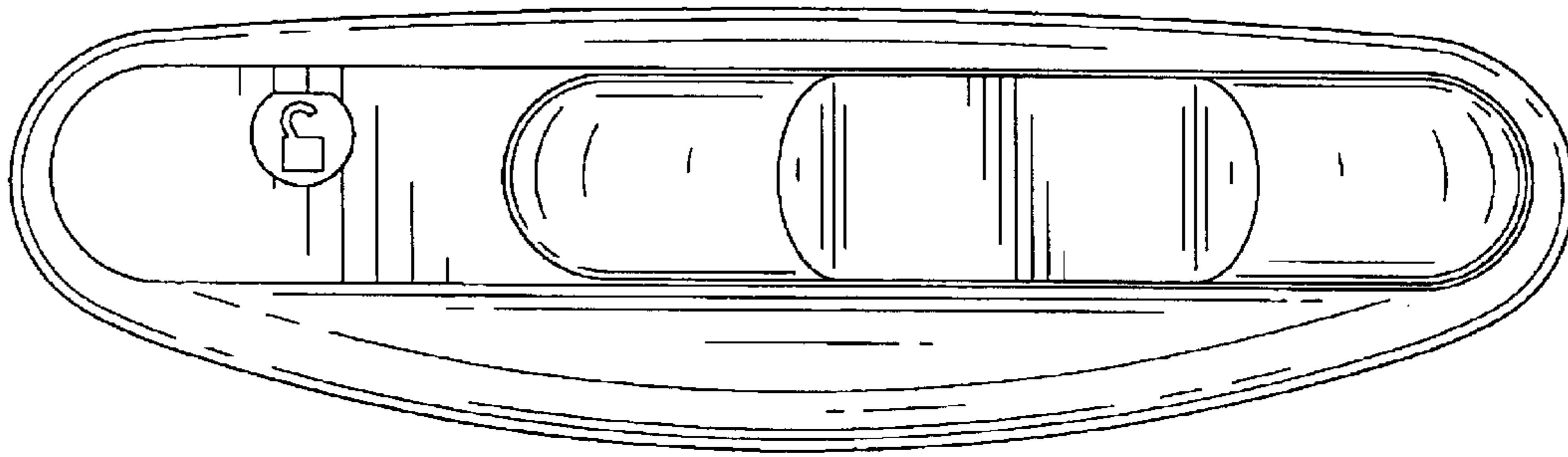


FIG. 3

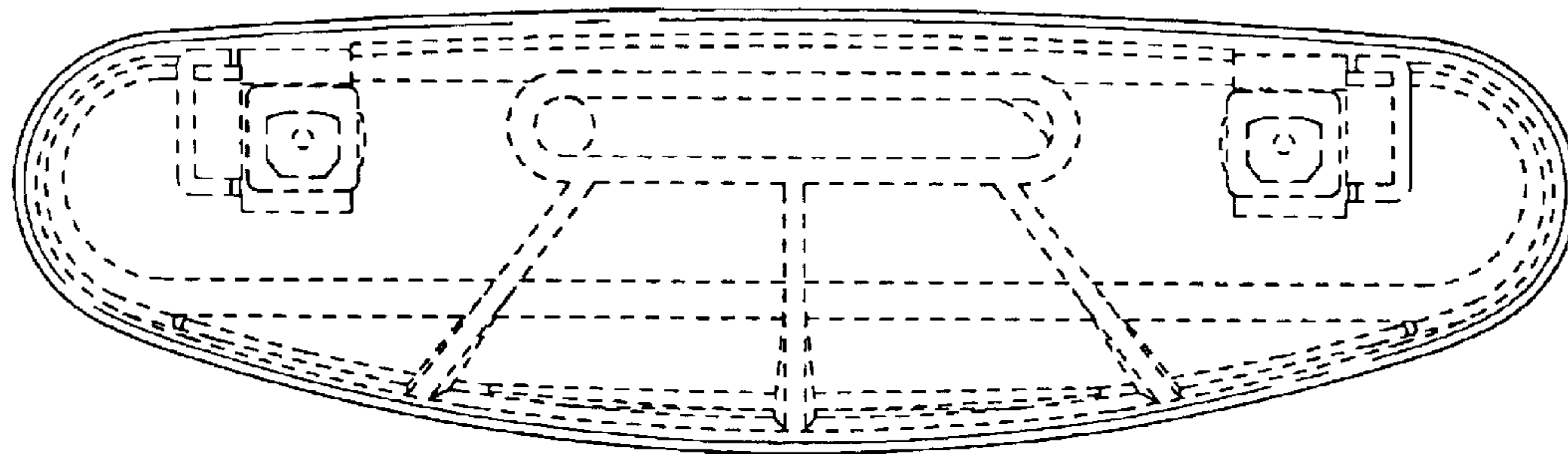


FIG. 4

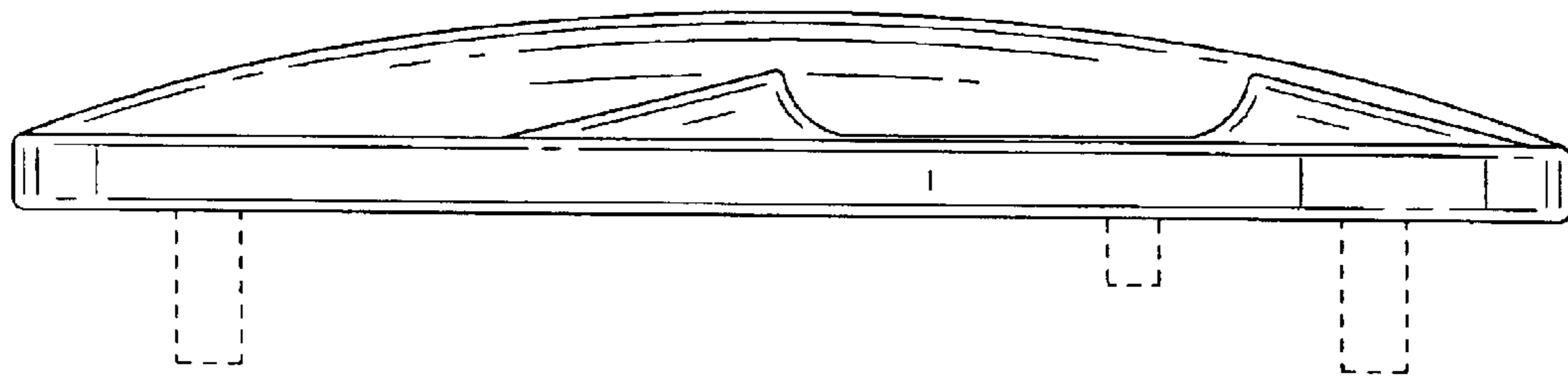


FIG. 5

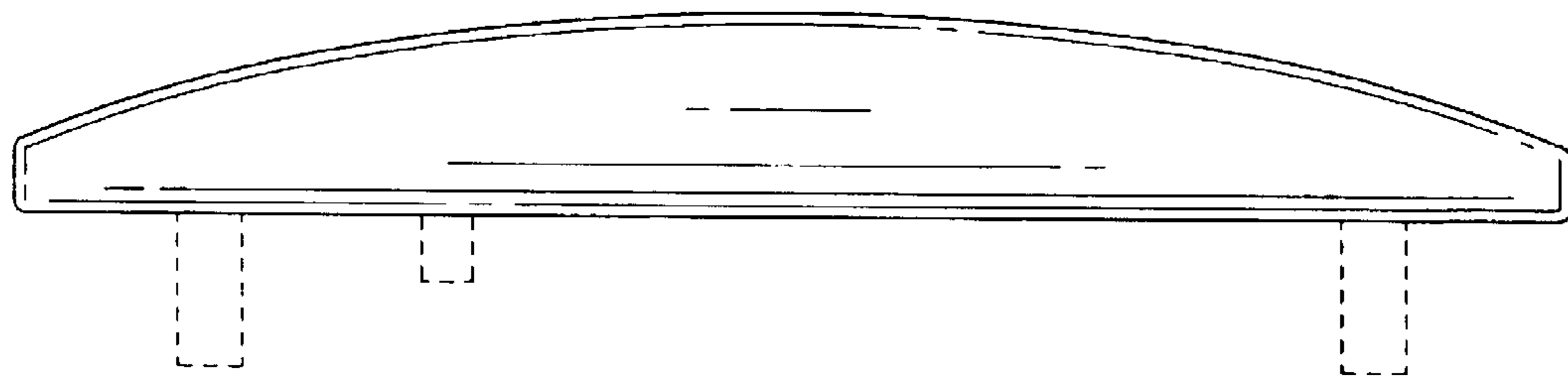


FIG. 6

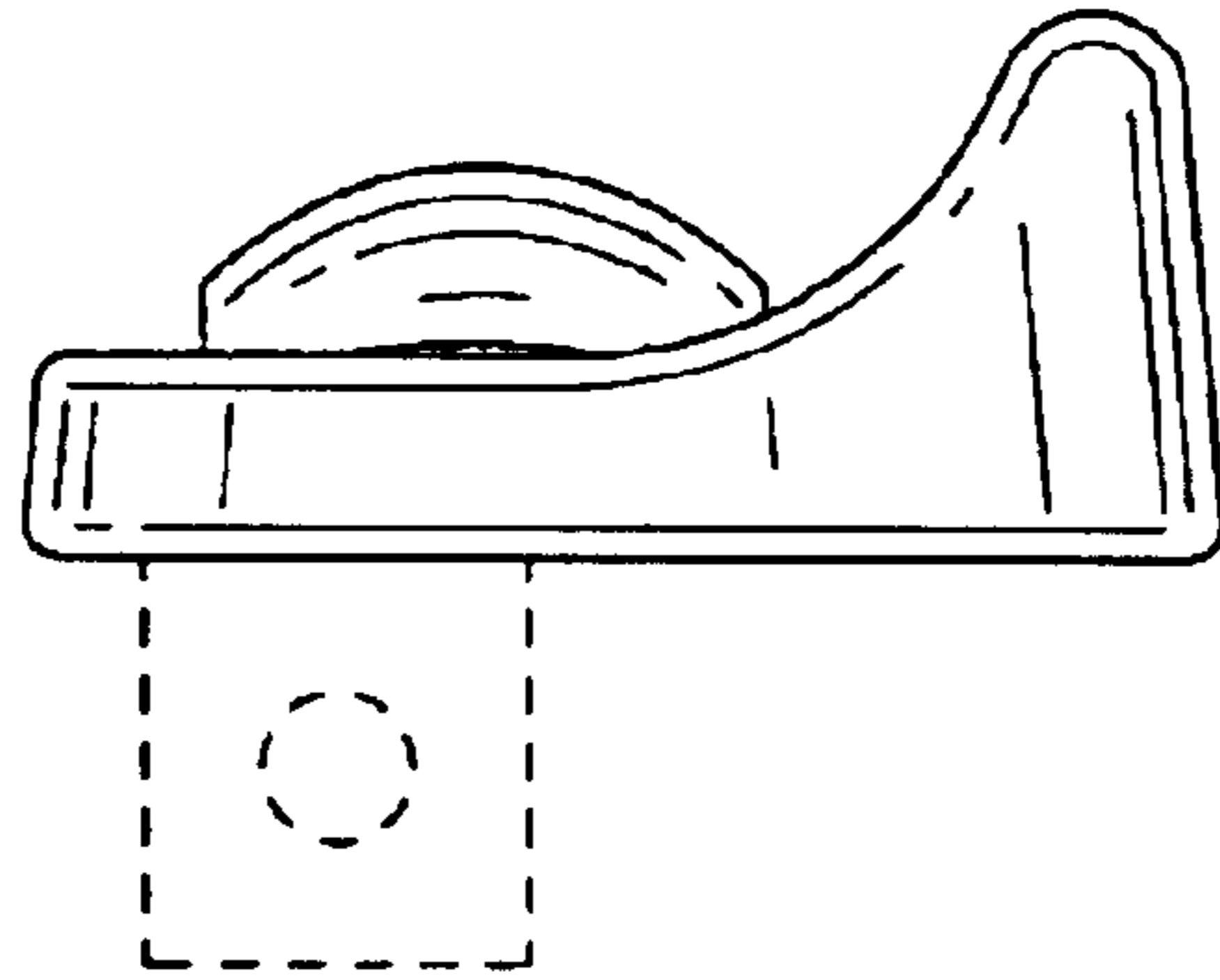


FIG. 7

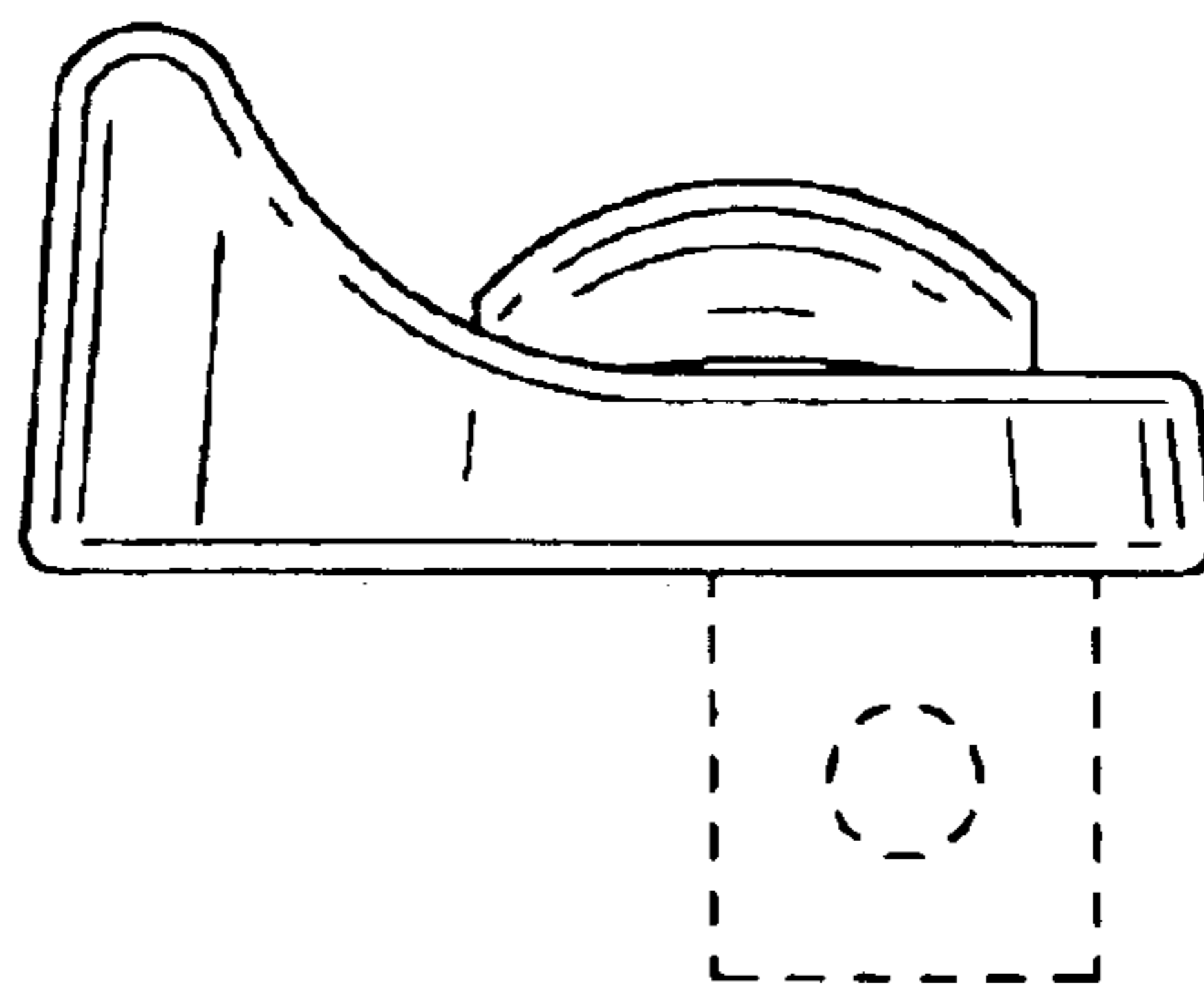


FIG. 8