



US00D495234S1

(12) **United States Design Patent** (10) **Patent No.:** **US D495,234 S**  
**Fisher et al.** (45) **Date of Patent:** **\*\* Aug. 31, 2004**

(54) **ELECTRONIC LOCK BOX**  
(75) Inventors: **Scott R. Fisher**, Cincinnati, OH (US);  
**William J. Kramer**, Mason, OH (US)  
(73) Assignee: **SentriLock, Inc.**, Cincinnati, OH (US)  
(\*\*) Term: **14 Years**

5,014,049 A 5/1991 Bosley  
5,046,084 A 9/1991 Barrett et al.  
5,046,339 A \* 9/1991 Krell ..... 70/55

(List continued on next page.)

**FOREIGN PATENT DOCUMENTS**

WO WO 86/00108 1/1986

**OTHER PUBLICATIONS**

U.S. patent application Ser. No. 06/537,425, "Electronic Secure Entry System, Apparatus and Method," 31 pages.

(List continued on next page.)

*Primary Examiner*—Prabhakar Deshmukh  
(74) *Attorney, Agent, or Firm*—Frederick H. Gribbell

(21) Appl. No.: **29/188,765**  
(22) Filed: **Aug. 22, 2003**  
(51) **LOC (7) Cl.** ..... **08-07**  
(52) **U.S. Cl.** ..... **D8/333**; D8/336; D8/330  
(58) **Field of Search** ..... D8/330, 331, 333,  
D8/334, 336, 343; 70/55, 56, 58, 63, 14,  
20, 30, 18, 51

(57) **CLAIM**

The ornamental design for an electronic lock box, as shown and described.

(56) **References Cited**

**U.S. PATENT DOCUMENTS**

- 2,460,615 A 2/1949 Andrew
- 3,436,937 A \* 4/1969 Barrett ..... 70/63
- 3,812,403 A 5/1974 Gartner
- 3,901,057 A 8/1975 Coley, Sr.
- 4,286,445 A \* 9/1981 Sills ..... 70/55
- 4,325,240 A 4/1982 Gable
- 4,532,783 A 8/1985 Maurice
- 4,556,872 A 12/1985 Masoncup et al.
- 4,609,780 A 9/1986 Clark
- 4,727,368 A 2/1988 Larson et al.
- 4,766,746 A 8/1988 Henderson et al.
- D301,682 S \* 6/1989 Gardenswartz ..... D8/333
- 4,838,052 A \* 6/1989 Williams et al. .... 70/63
- 4,851,652 A 7/1989 Imran
- 4,864,115 A 9/1989 Imran et al.
- 4,887,292 A 12/1989 Barrett et al.
- 4,896,246 A 1/1990 Henderson et al.
- 4,914,732 A 4/1990 Henderson et al.
- 4,916,443 A 4/1990 Barrett et al.
- 4,929,880 A 5/1990 Henderson et al.
- 4,947,163 A 8/1990 Henderson et al.
- 4,967,305 A 10/1990 Murrer et al.
- 4,988,987 A 1/1991 Barrett et al.

**DESCRIPTION**

FIG. 1 is a top front and right side perspective view of an electronic lock box with its key compartment door closed, showing our new design.

FIG. 2 is a front, elevational view of the electronic lock box of FIG. 1.

FIG. 3 is a right-hand side, elevational view of the electronic lock box of FIG. 1.

FIG. 4 is a top, plan view of the electronic lock box of FIG. 1.

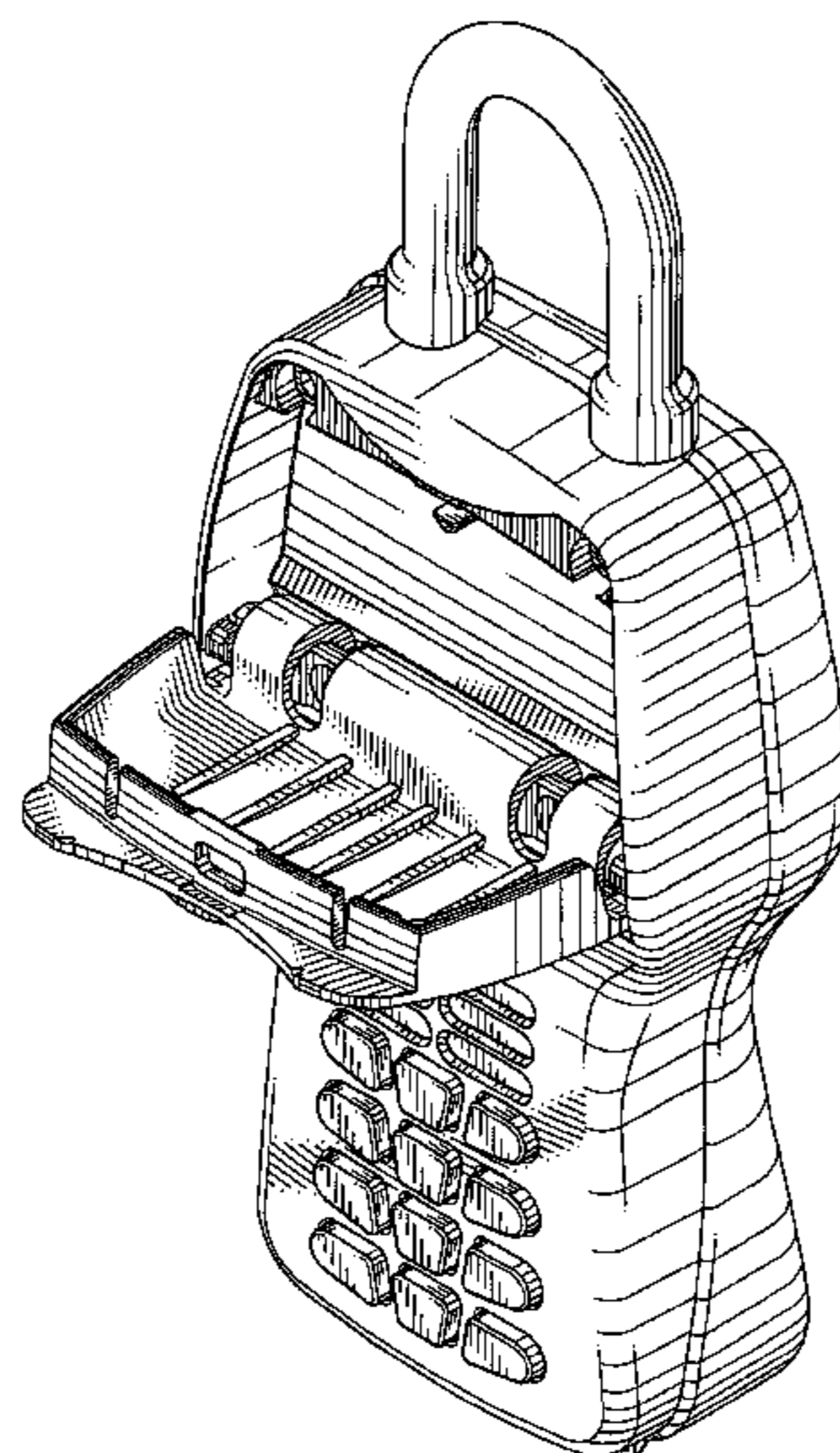
FIG. 5 is a bottom, plan view of the electronic lock box of FIG. 1.

FIG. 6 is a rear, elevational view of the electronic lock box of FIG. 1; and,

FIG. 7 is a top front and right side perspective view of the electronic lock box of FIG. 1, with its key compartment door open.

The left-hand side of the electronic lock box is a mirror image of the right-hand side depicted in FIG. 3.

**1 Claim, 6 Drawing Sheets**



U.S. PATENT DOCUMENTS

5,090,222 A 2/1992 Imran  
5,245,652 A 9/1993 Larson et al.  
5,280,518 A 1/1994 Danler et al.  
5,351,042 A 9/1994 Aston  
5,437,174 A 8/1995 Aydin  
5,460,020 A 10/1995 Hungerford  
5,477,213 A 12/1995 Atarashi  
5,550,529 A 8/1996 Burge  
5,561,996 A 10/1996 Chang  
5,602,536 A 2/1997 Henderson et al.  
5,605,066 A 2/1997 Hurskainen  
5,758,522 A 6/1998 York  
5,768,921 A \* 6/1998 Hill ..... 70/63  
5,791,172 A 8/1998 Deighton et al.  
5,794,465 A 8/1998 Hill

D417,604 S \* 12/1999 Wasson et al. .... D8/343  
6,041,480 A \* 3/2000 White ..... 24/633  
6,526,786 B1 \* 3/2003 Kayoda ..... 70/56  
D488,048 S \* 4/2004 Wasson et al. .... D8/333

OTHER PUBLICATIONS

Advertising brochures of AZCORP Technology (no date indicated), 11 pages.  
Advertising brochures of MULTACC Corporation (no date indicated), 16 pages.  
Advertising brochures of Supra Products, Inc. (1982), 8 pages.  
Advertising brochures of Supra Products, Inc. (Nov. 29, 2001), 2 pages.

\* cited by examiner

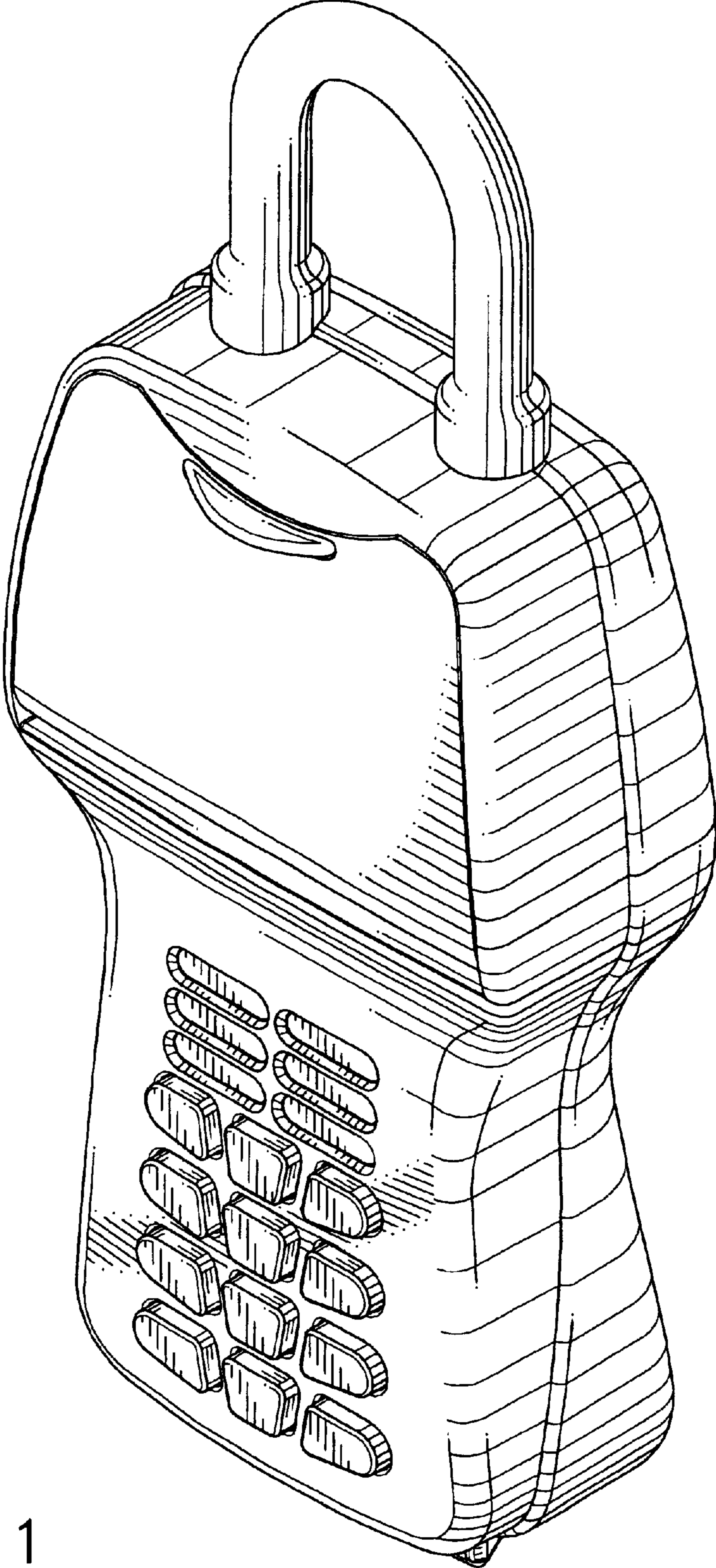


FIG. 1



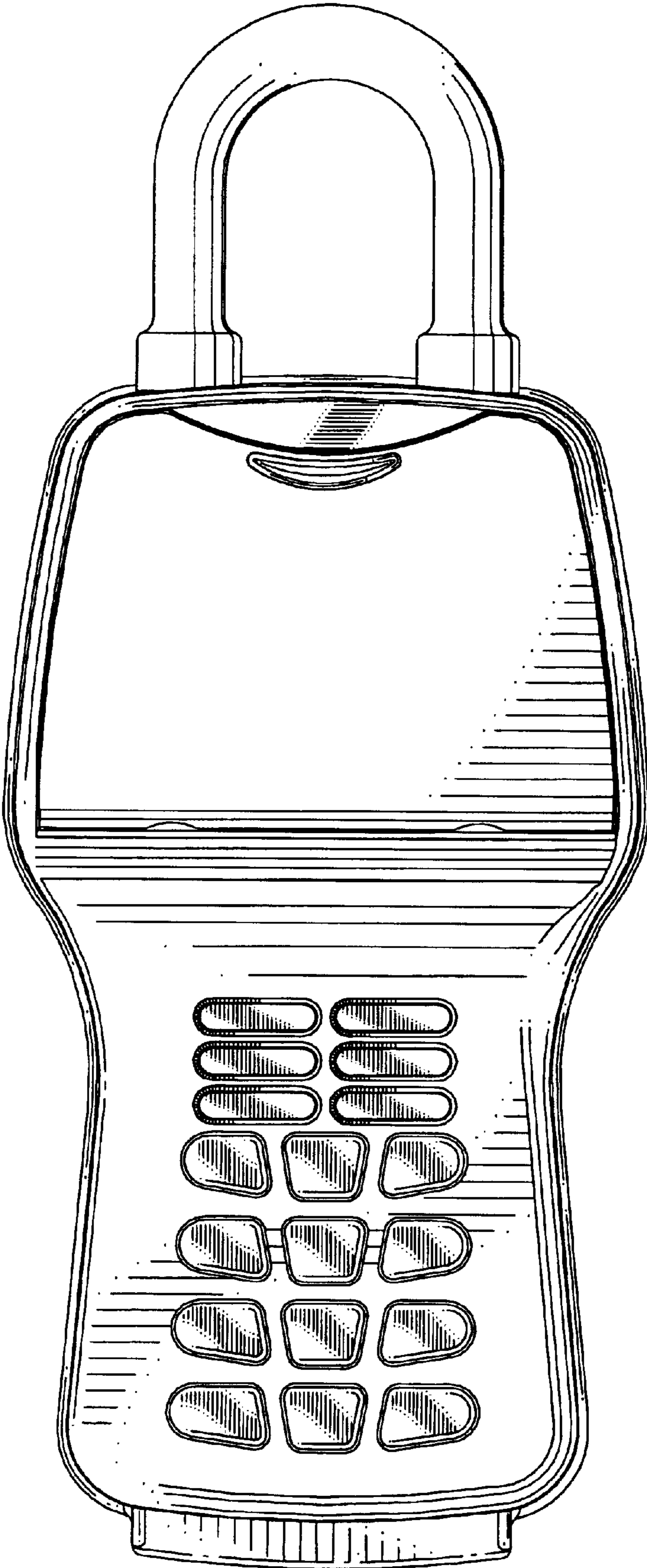


FIG. 2

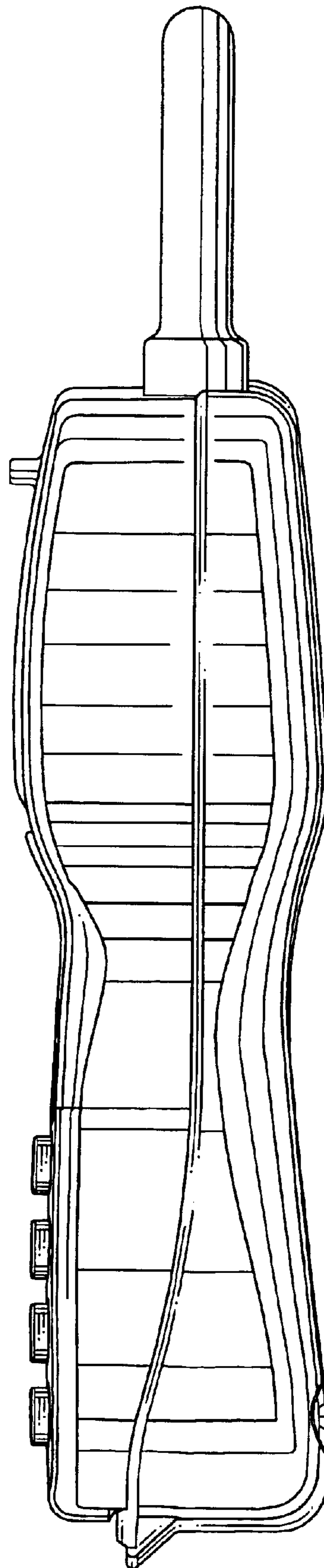


FIG. 3

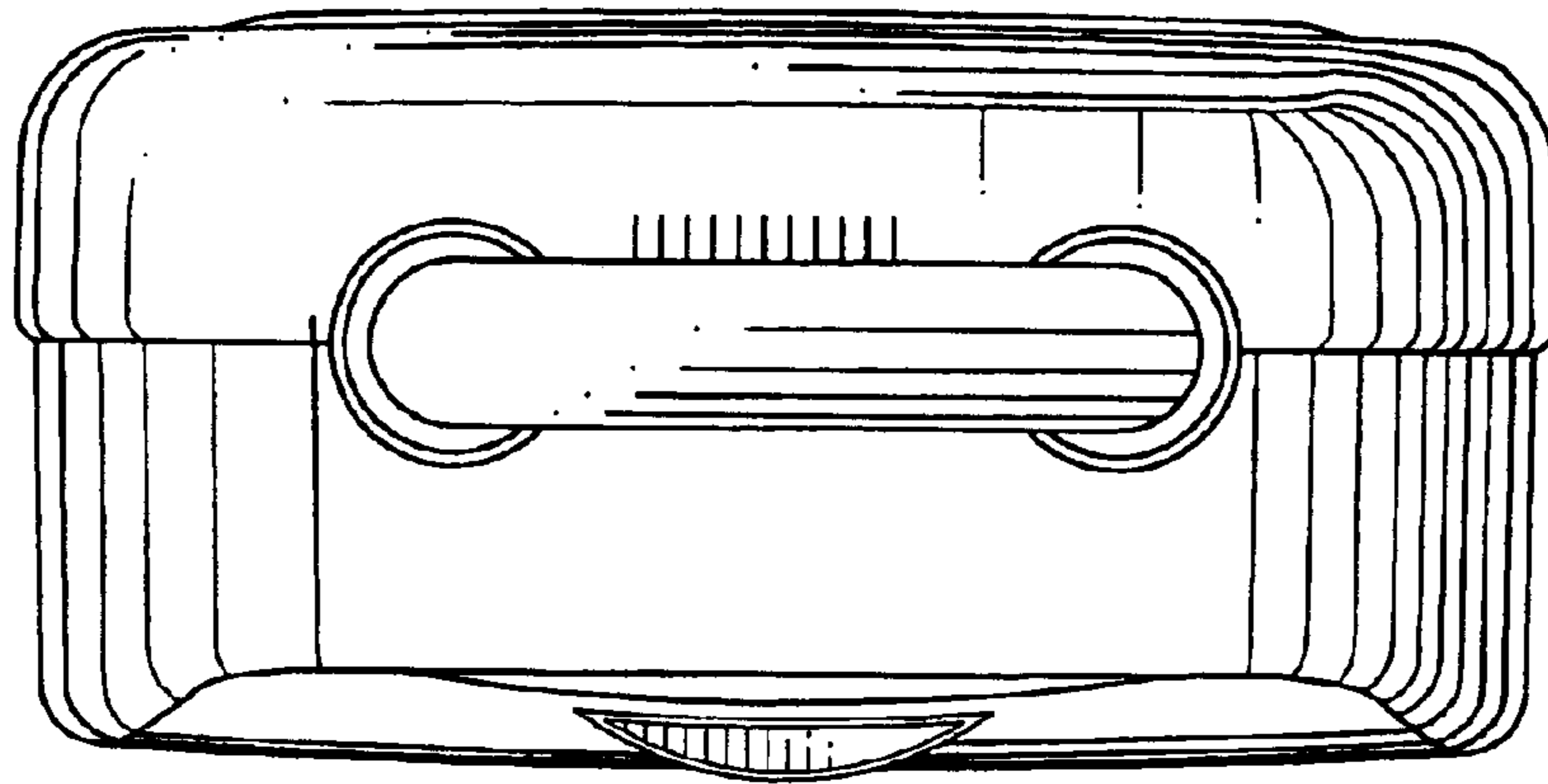


FIG. 4

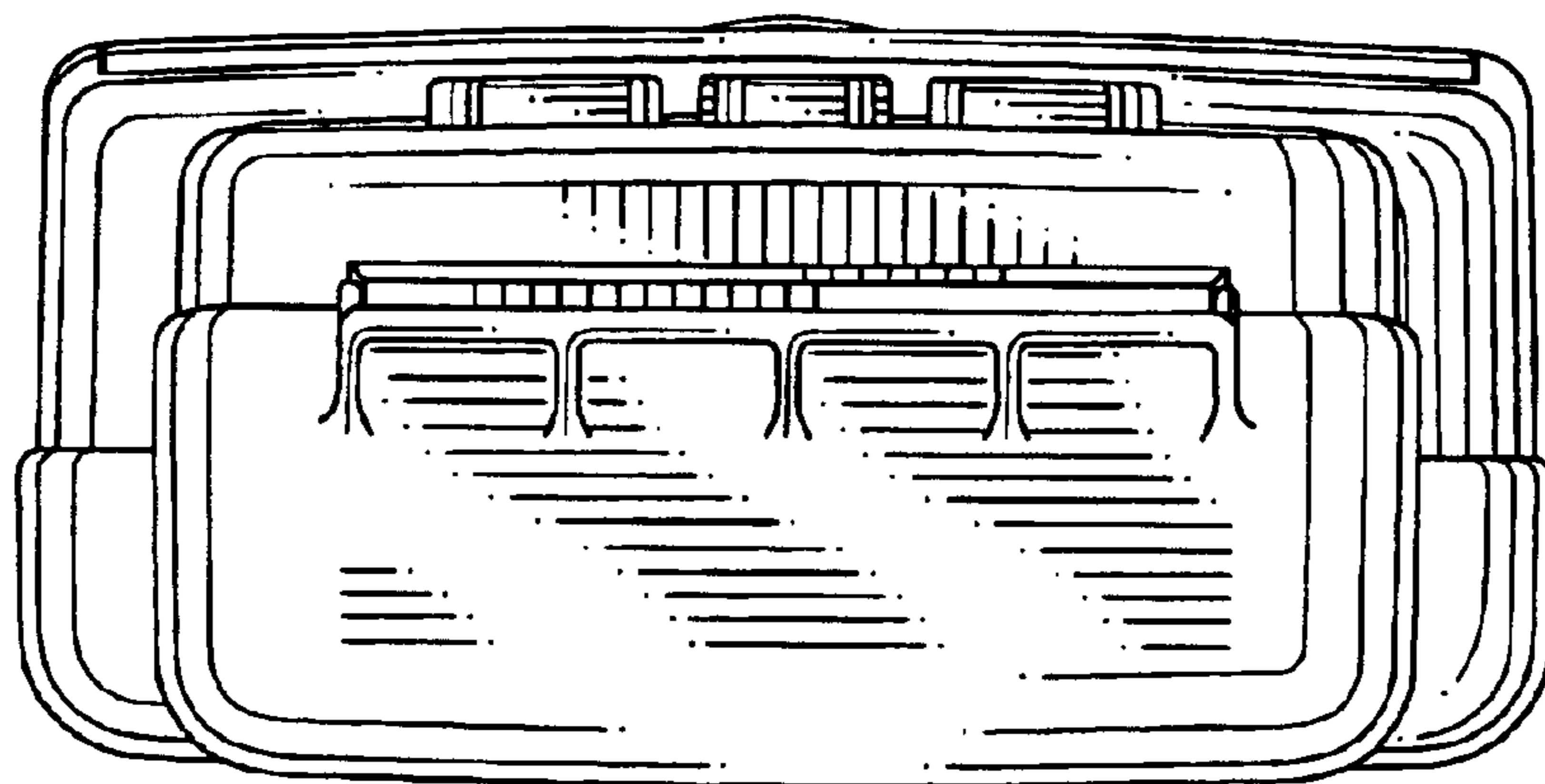


FIG. 5

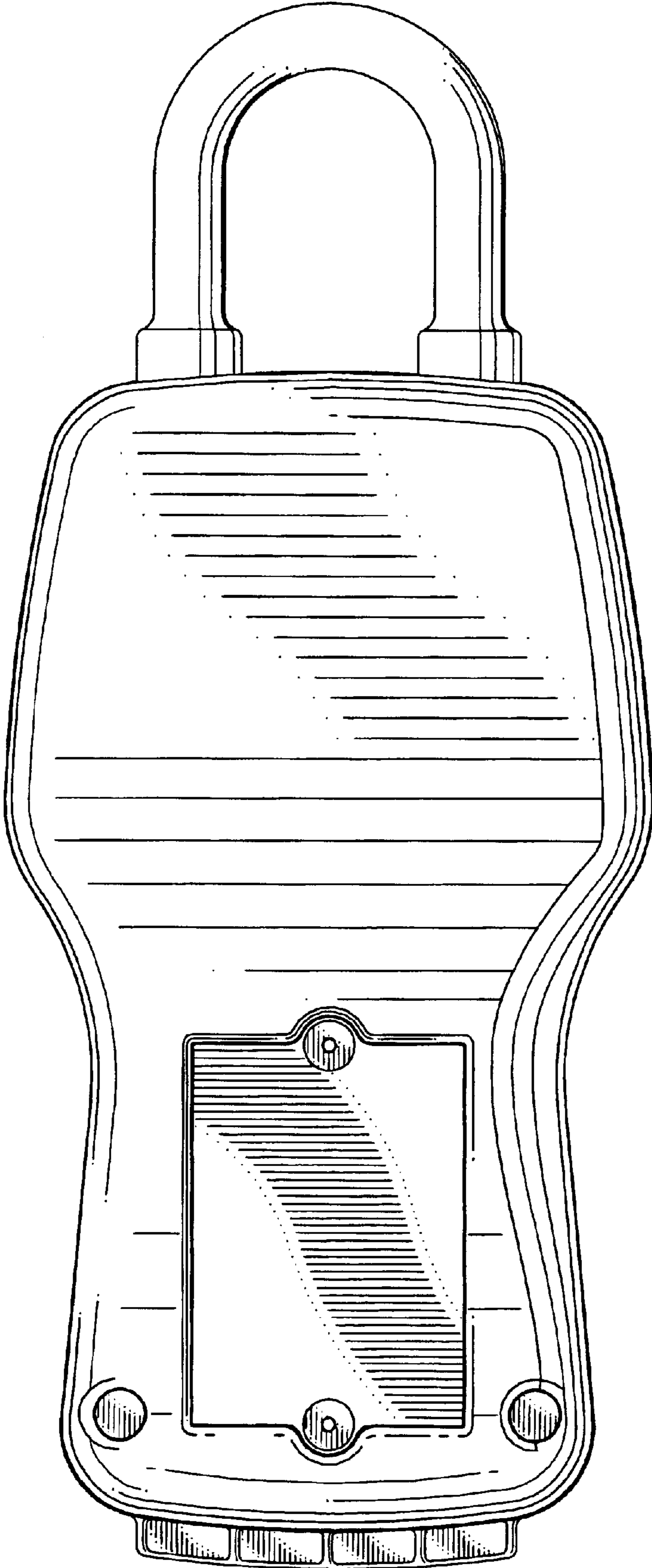


FIG. 6



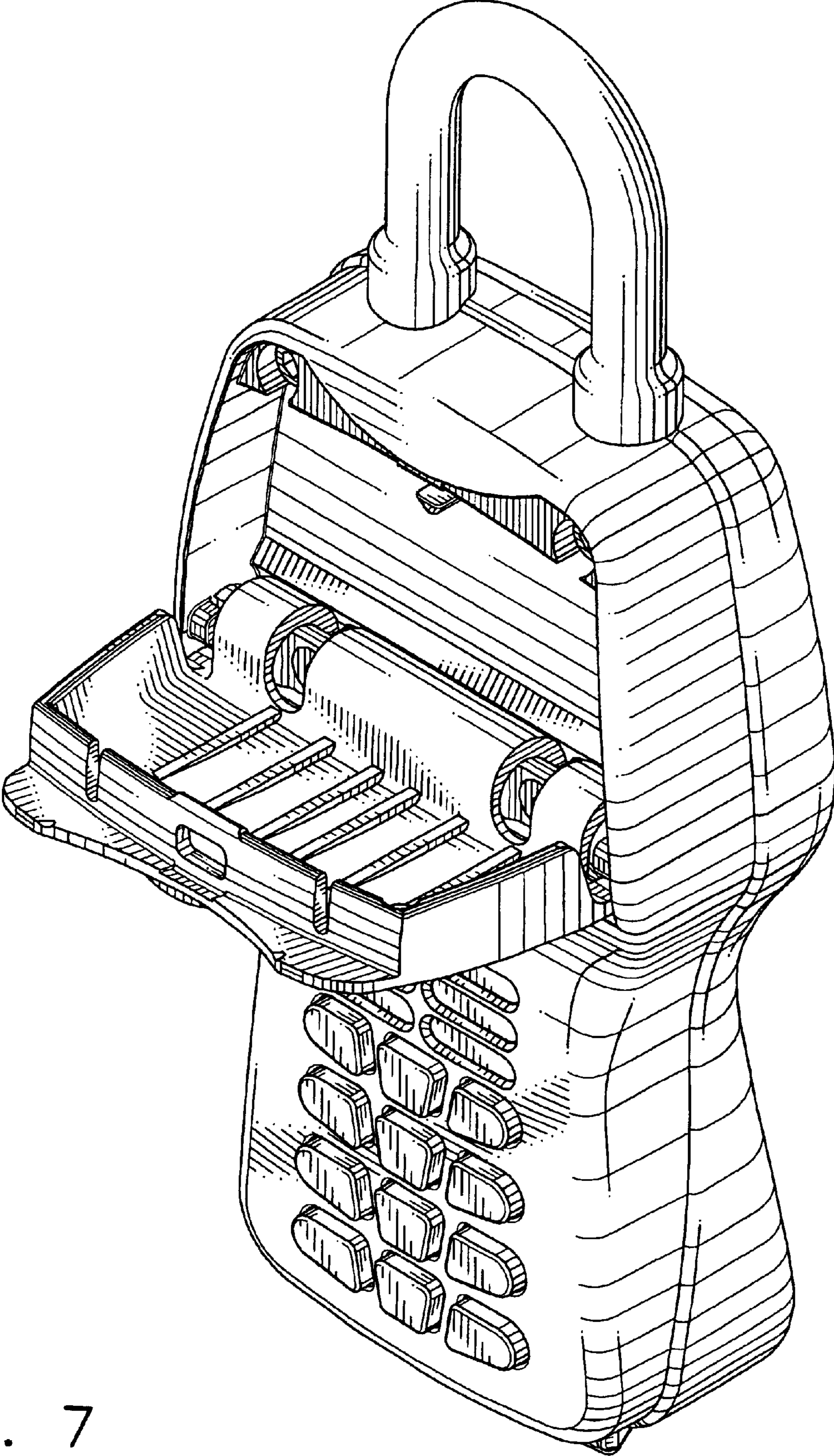


FIG. 7