

US00D495233S1

(12) **United States Design Patent**  
**Twomey**

(10) **Patent No.:** **US D495,233 S**

(45) **Date of Patent:** **\*\* Aug. 31, 2004**

(54) **TOILET SEAT BASE HINGE AND LEAF COMBINATION**

(75) **Inventor:** **Michael R. Twomey**, Newnan, GA (US)

(73) **Assignee:** **Olsonite Corporation**, Newnan, GA (US)

(\*\*) **Term:** **14 Years**

(21) **Appl. No.:** **29/170,761**

(22) **Filed:** **Nov. 13, 2002**

(51) **LOC (7) Cl.** ..... **08-06**

(52) **U.S. Cl.** ..... **D8/326**

(58) **Field of Search** ..... D8/323-329; 4/236-240; D23/303; 16/221, 224, 235, 237, 239, 241, 245, 246, 249, 254, 261, 262, 265, 272, 277, 307, 319, 335, 339, 342, 379, 382, 383, 384, 385-389, DIG. 13, DIG. 40, DIG. 43

(56) **References Cited**

**U.S. PATENT DOCUMENTS**

4,398,307 A	*	8/1983	Ginsburg et al.	4/240
4,467,481 A	*	8/1984	Ginsburg	4/236
4,658,447 A	*	4/1987	Smith	4/236
D370,252 S	*	5/1996	Hulsebus	D8/326

D372,415 S	*	8/1996	Guidotti	D8/327
D377,306 S	*	1/1997	Decker	D8/326
D481,924 S	*	11/2003	Hulsebus	D8/326
2003/0145429 A1	*	8/2003	Twomey	16/387

\* cited by examiner

*Primary Examiner*—James Gandy

*Assistant Examiner*—T. Chase Nelson

(74) *Attorney, Agent, or Firm*—Clark & Brody

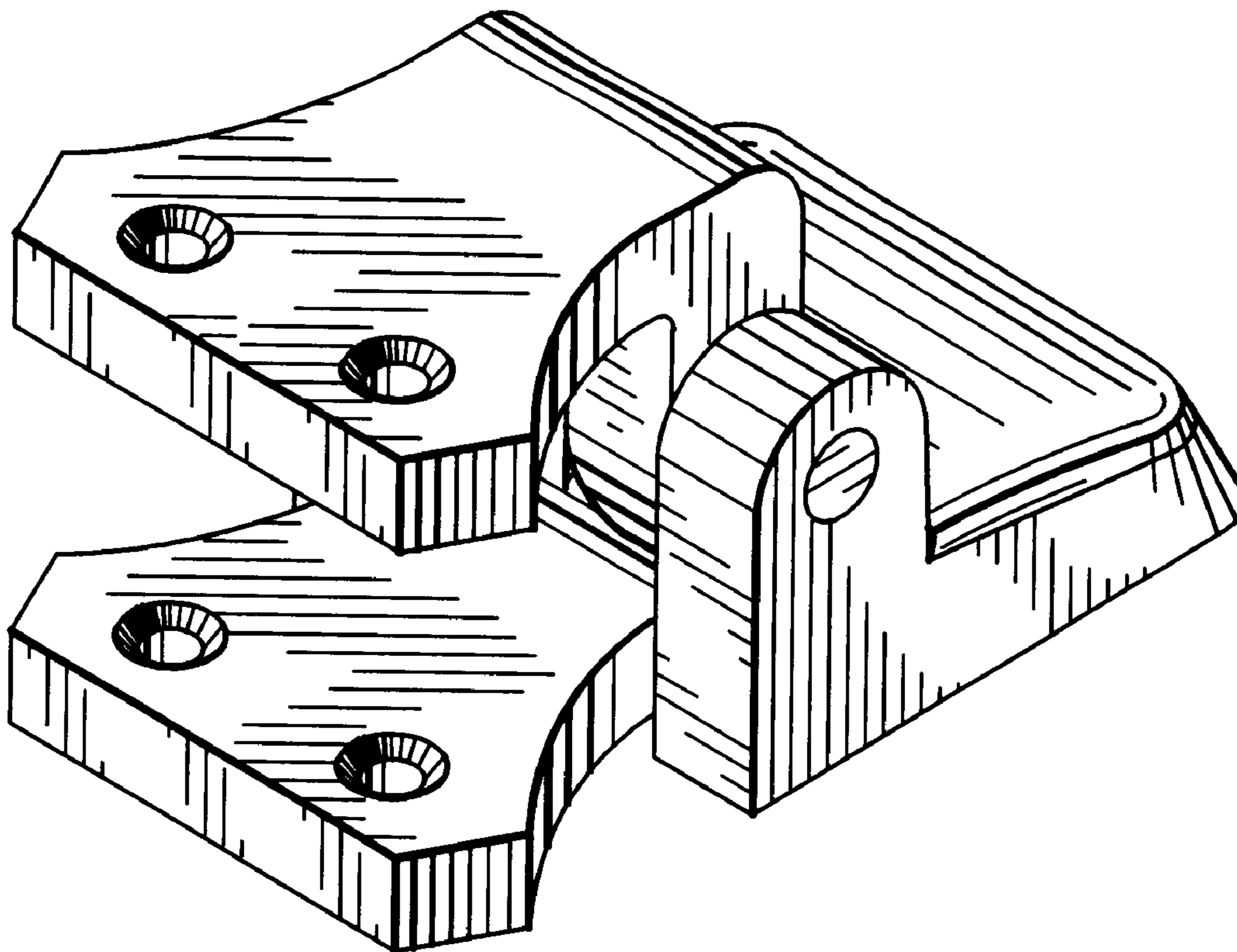
(57) **CLAIM**

The ornamental design for toilet seat base hinge and leaf combination, as shown and described.

**DESCRIPTION**

FIG. 1 is a side perspective view of the toilet seat base hinge and leaf combination showing my new design; FIG. 2 is a bottom side perspective view thereof; FIG. 3 is a right side elevational view thereof; FIG. 4 is a left side elevational view thereof; and FIG. 5 is a top plan view thereof; FIG. 6 is a bottom plan view thereof; FIG. 7 is a front elevational view thereof; FIG. 8 is a rear elevational view thereof; and, FIG. 9 is an exploded side perspective view. The broken line showing of environmental structure is for illustrative purposes only and forms no part of the claimed design.

**1 Claim, 4 Drawing Sheets**



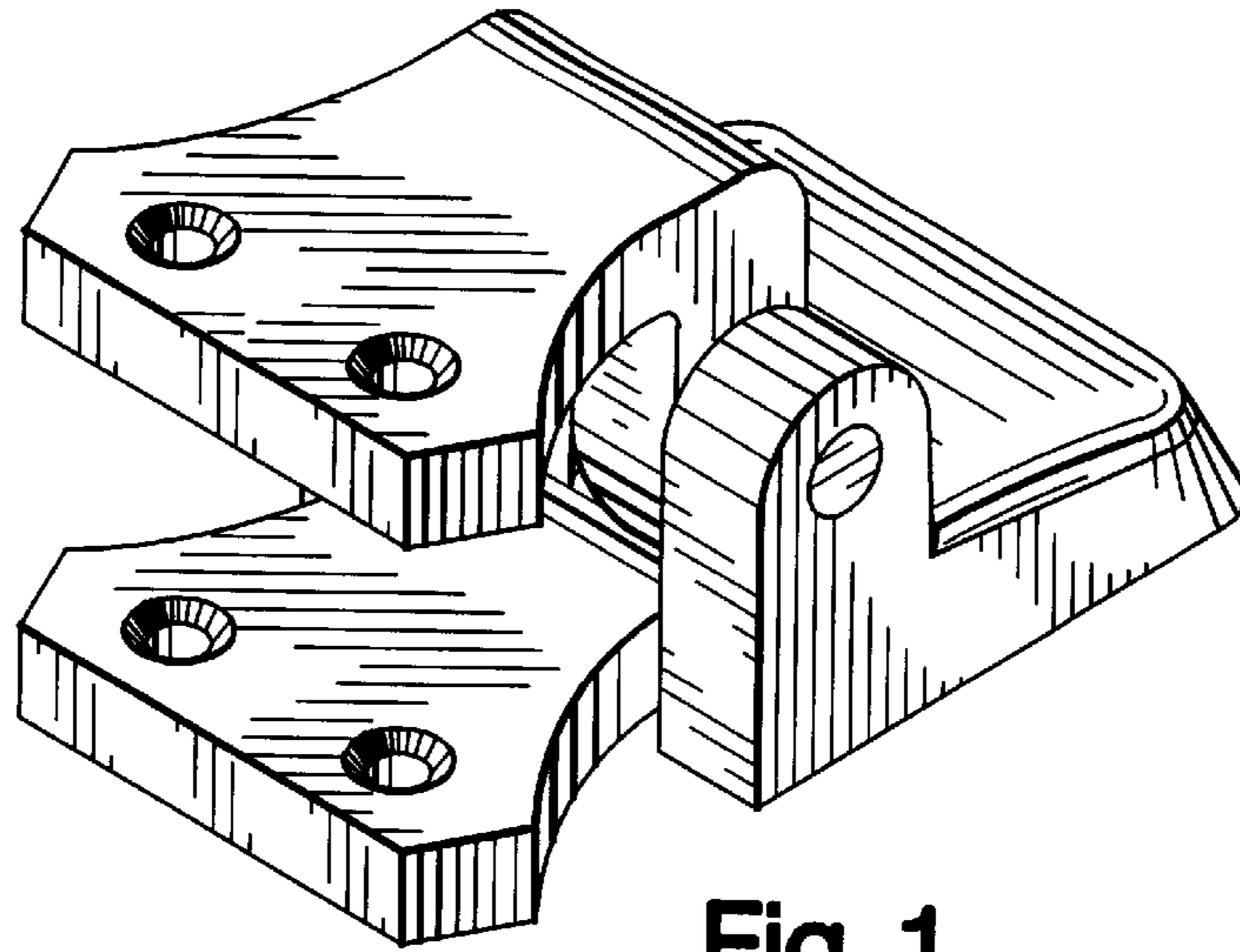


Fig. 1

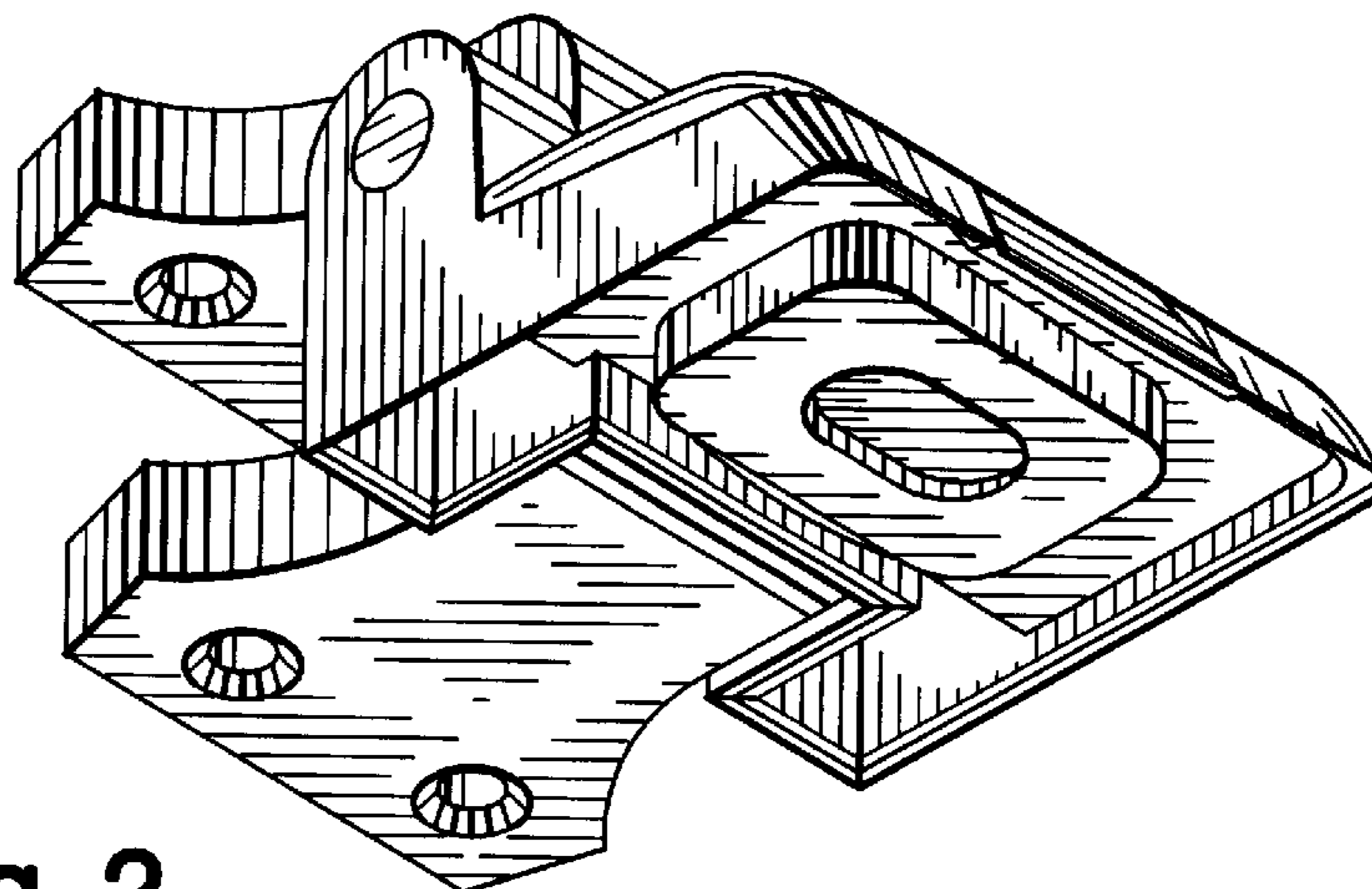


Fig. 2

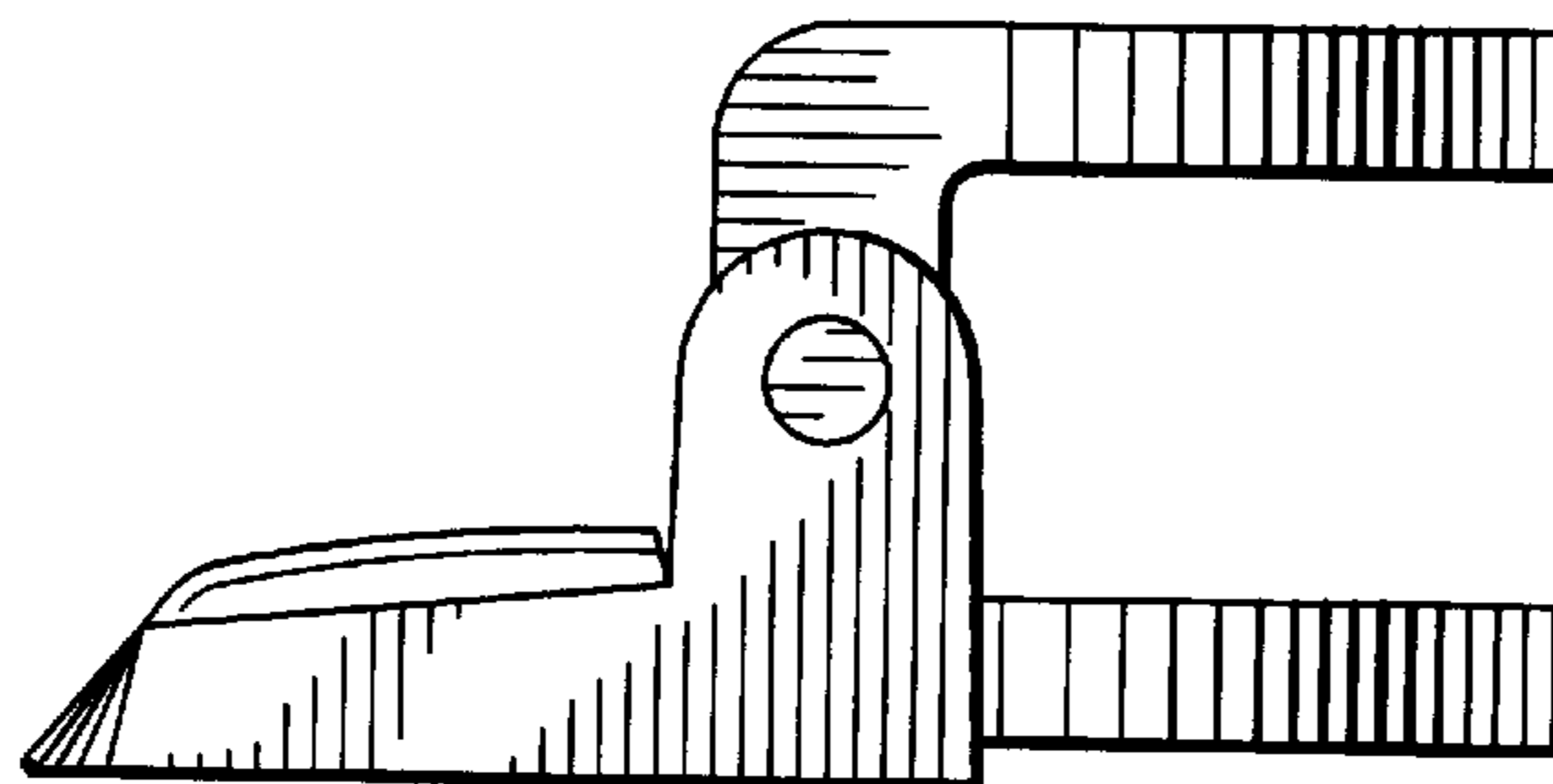


Fig. 3

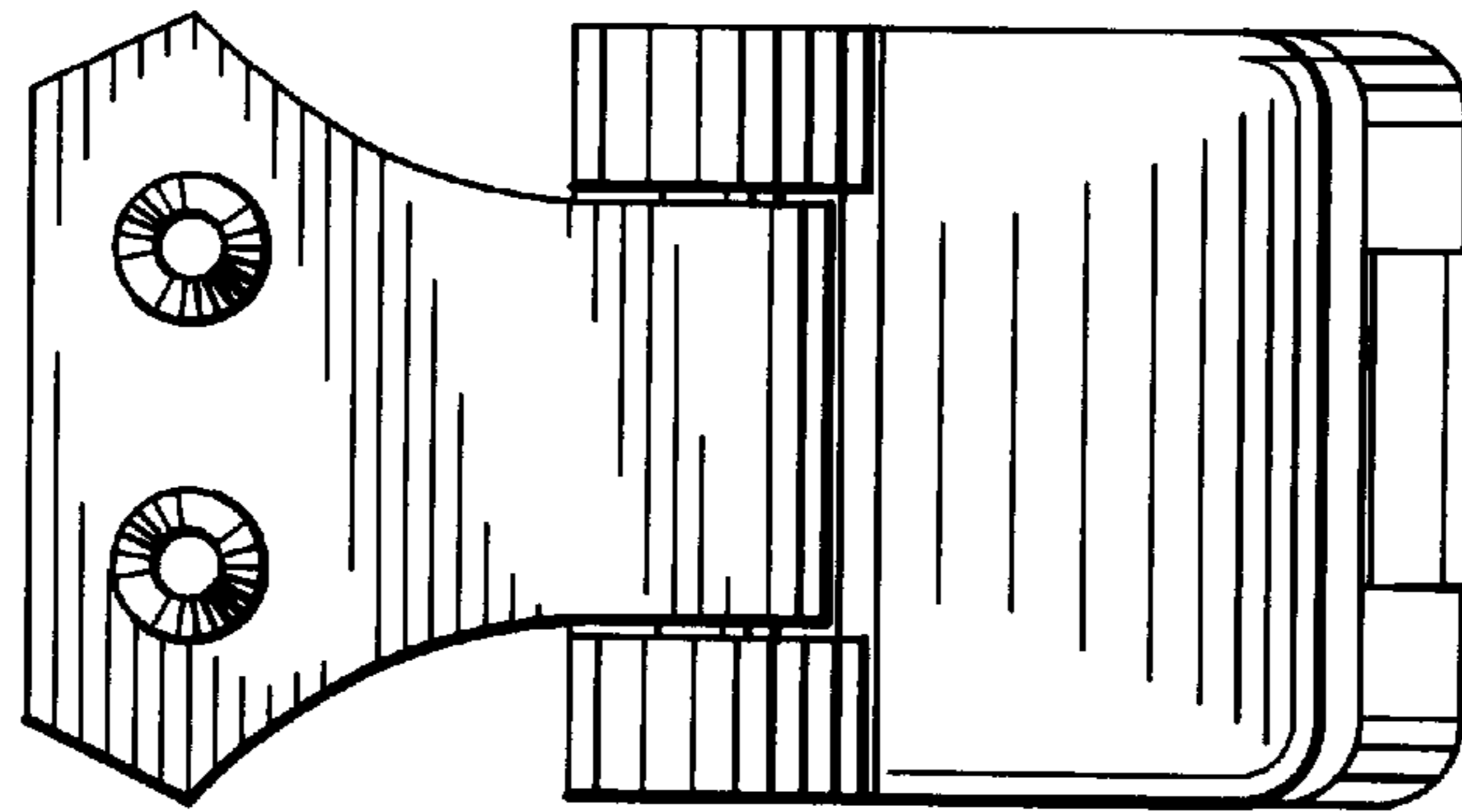


Fig. 5

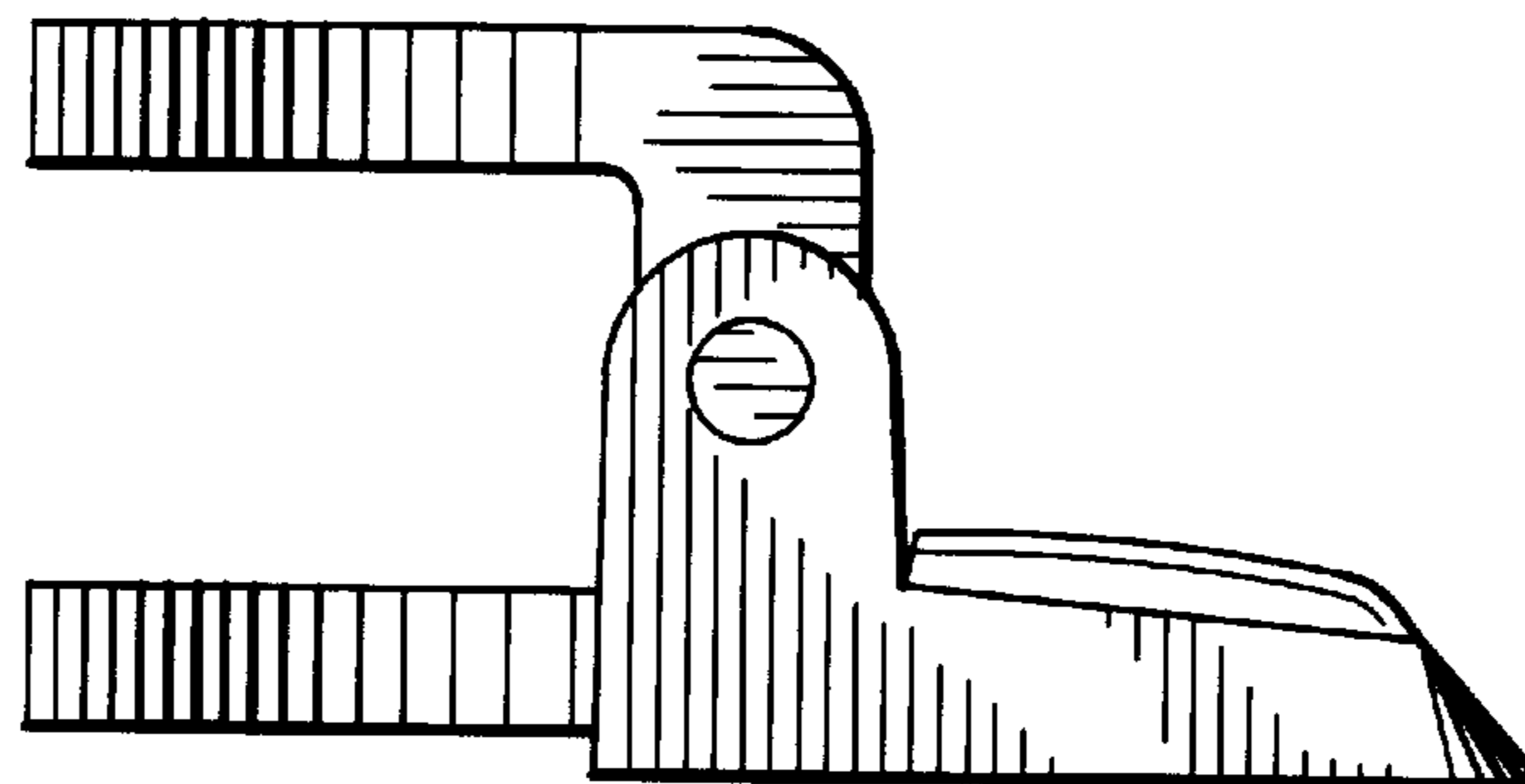


Fig. 4

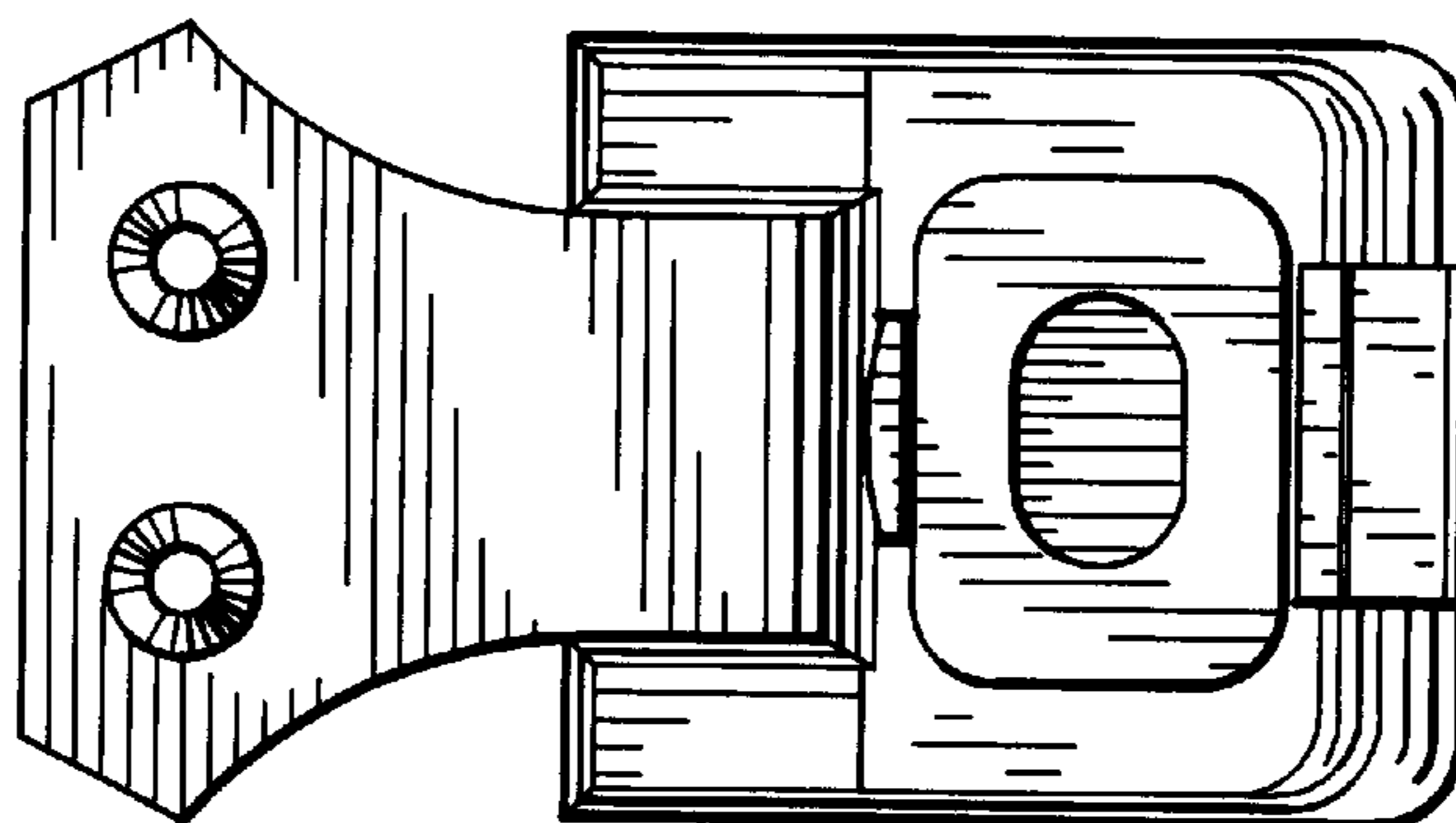


Fig. 6

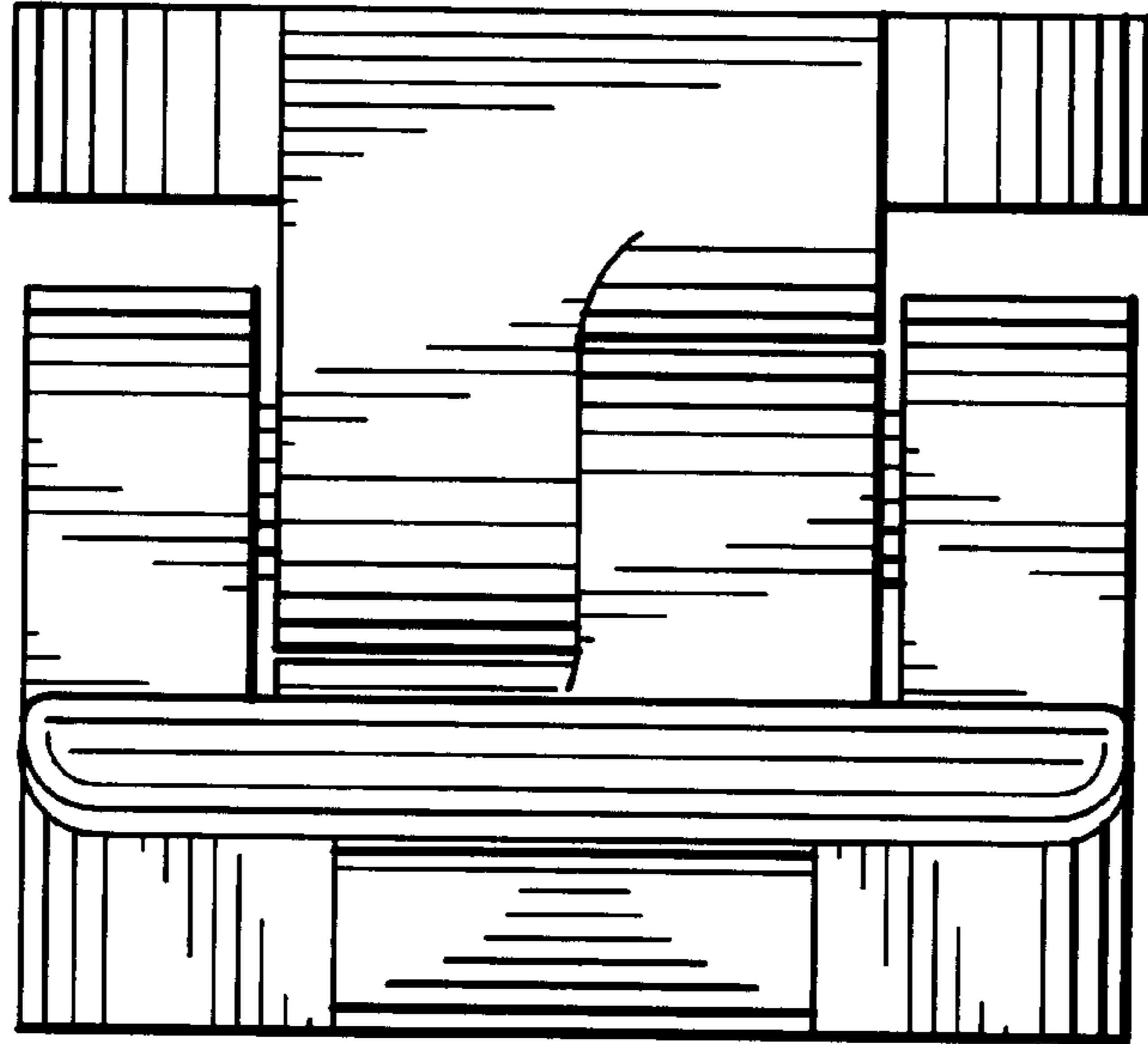


Fig. 7

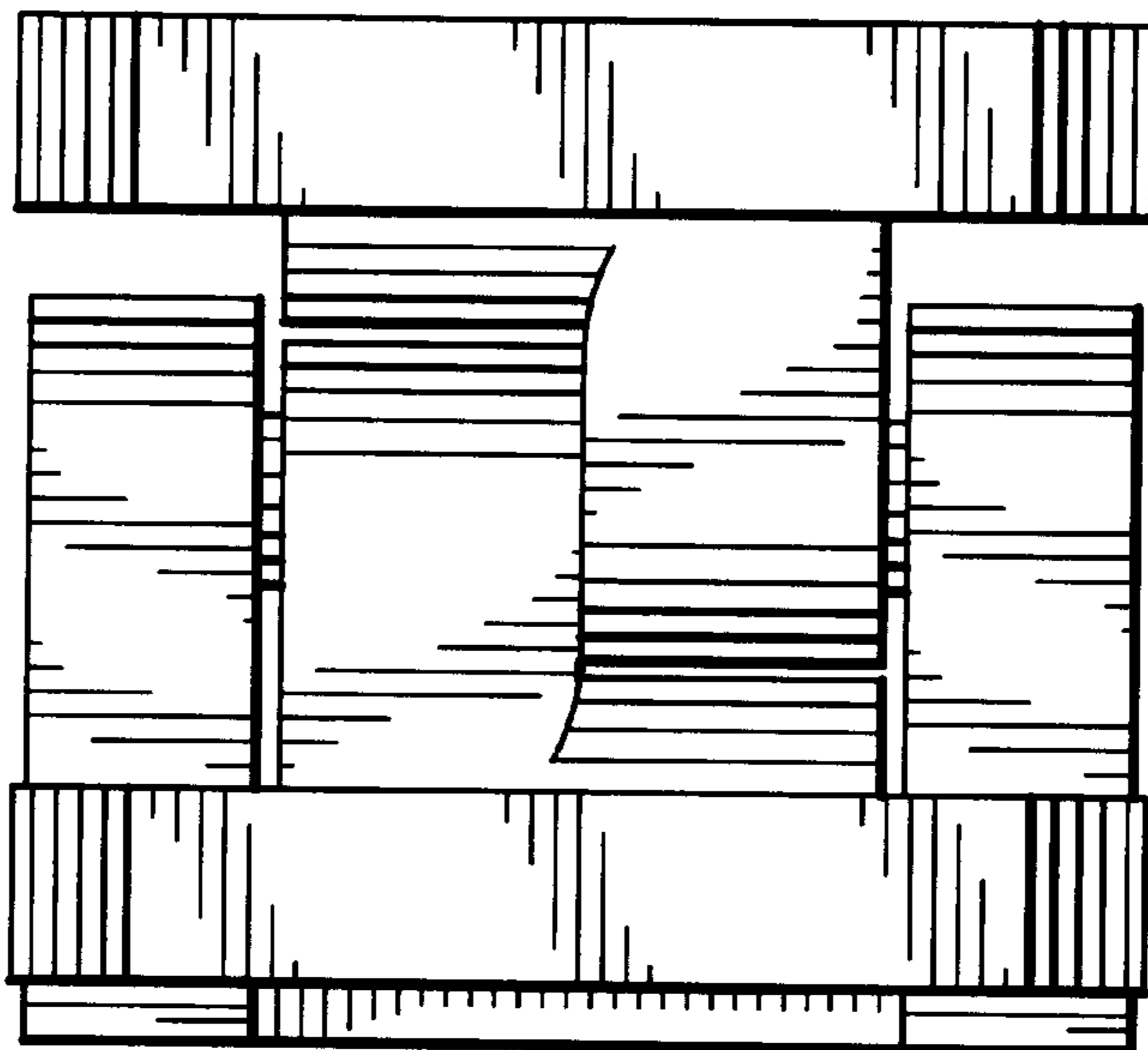
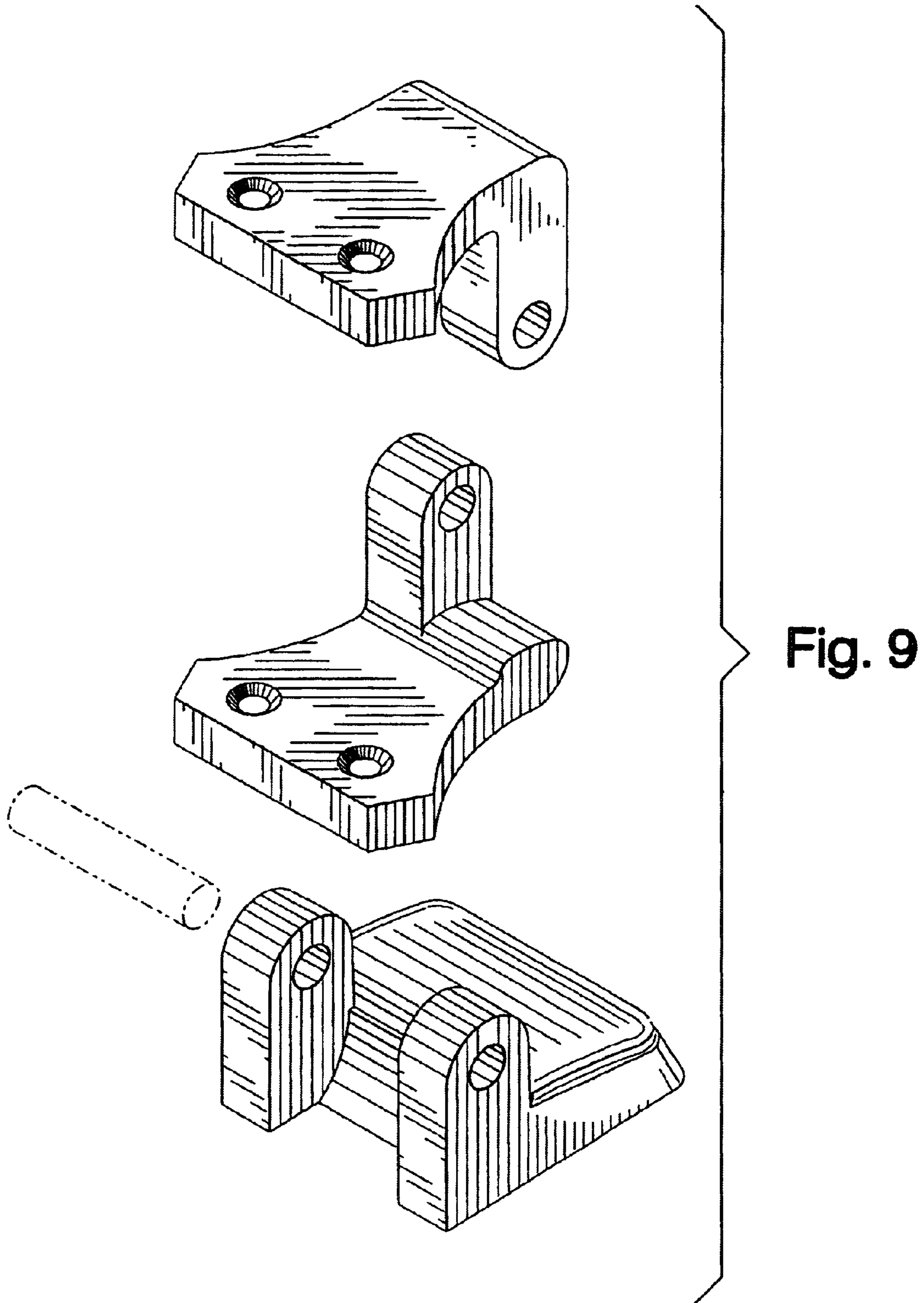


Fig. 8





UNITED STATES PATENT AND TRADEMARK OFFICE  
**CERTIFICATE OF CORRECTION**

PATENT NO. : Des. 495,233 S  
DATED : August 31, 2004  
INVENTOR(S) : Twomey

Page 1 of 1

It is certified that error appears in the above-identified patent and that said Letters Patent is hereby corrected as shown below:

Title page.

Item [56], **References Cited**, U.S. PATENT DOCUMENTS, insert:

-- 3,665,552	5/1972	Toldo et al.
4,314,382	2/1982	Ginsburg et al.
4,391,001	4/1983	Harrison
4,974,262	12/1990	Rosen --

Signed and Sealed this

Twenty-first Day of December, 2004

A handwritten signature in black ink on a dotted background. The signature reads "Jon W. Dudas" in a cursive style.

JON W. DUDAS

*Director of the United States Patent and Trademark Office*