



US00D495231S1

(12) **United States Design Patent**
Bertani

(10) **Patent No.:** **US D495,231 S**
(45) **Date of Patent:** **** Aug. 31, 2004**

(54) **HANDWHEEL**

(75) **Inventor:** **Alberto Bertani**, Milan (IT)

(73) **Assignee:** **Elesa S.p.A.**, Milan (IT)

(**) **Term:** **14 Years**

(21) **Appl. No.:** **29/173,945**

(22) **Filed:** **Jan. 9, 2003**

(51) **LOC (7) Cl.** **08-06**

(52) **U.S. Cl.** **D8/309**; D8/308

(58) **Field of Search** D8/300, 306-310,
D8/352; D15/142; 74/545, 552, 553, 555-558;
16/429, 432

(56) **References Cited**

U.S. PATENT DOCUMENTS

4,155,589	A	*	5/1979	Kouth	74/545
4,219,232	A		8/1980	Kouth		
4,583,420	A		4/1986	Miley		
D289,370	S		4/1987	Bertani		
4,860,423	A		8/1989	Baynes		
D336,233	S	*	6/1993	Zimmermann	D8/309
D369,966	S		5/1996	Decursu et al.		
D373,064	S		8/1996	Decursu et al.		
D463,967	S		10/2002	Bertani		
D464,864	S		10/2002	Bertani		

FOREIGN PATENT DOCUMENTS

WO DM/029 270 4/1994

OTHER PUBLICATIONS

Kipp/Elesa, Elesa Handwheels, Oct. 29, 1974.

* cited by examiner

Primary Examiner—Nanda Bondade

(74) *Attorney, Agent, or Firm*—Pearne & Gordon LLP

(57) **CLAIM**

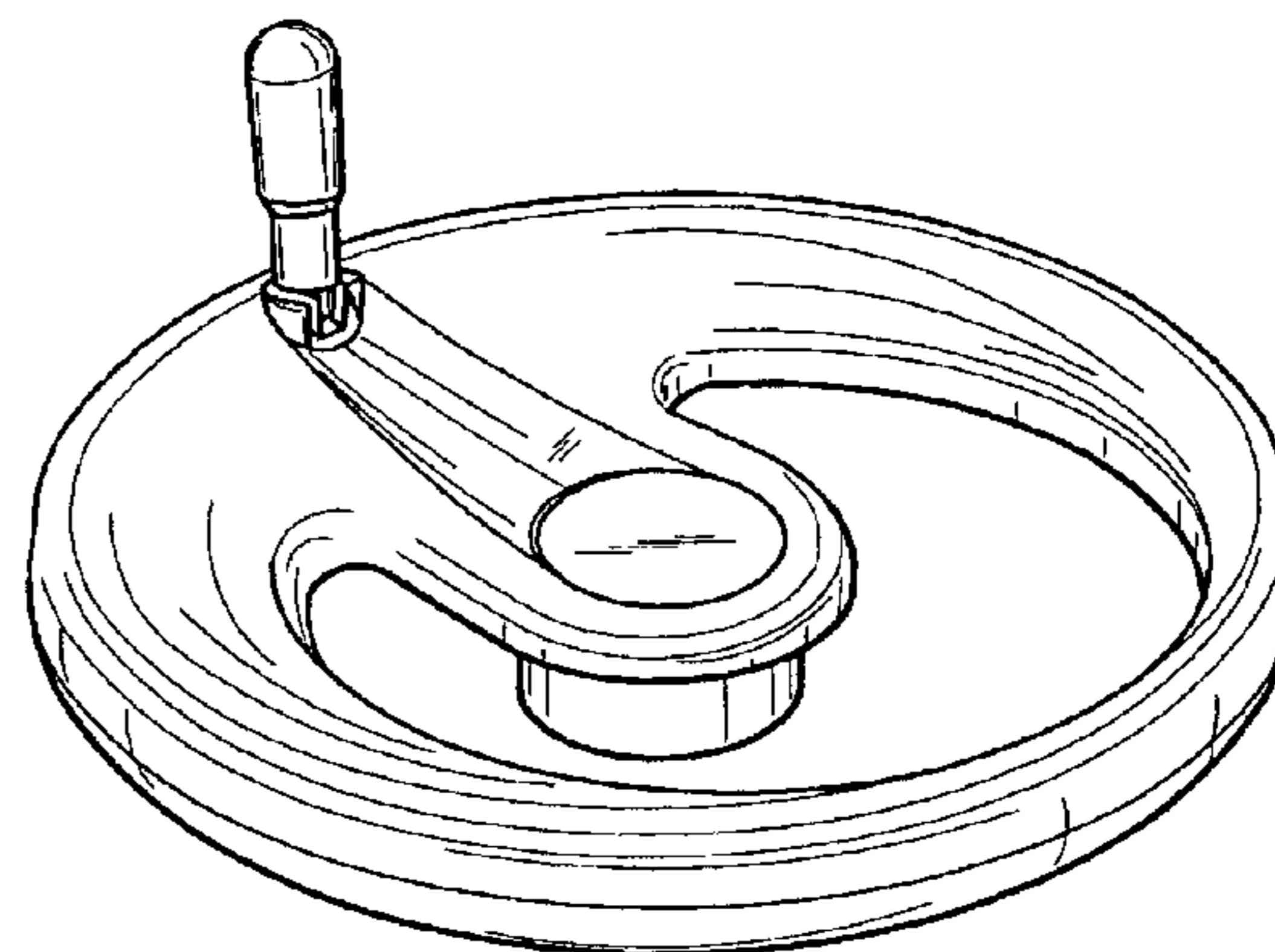
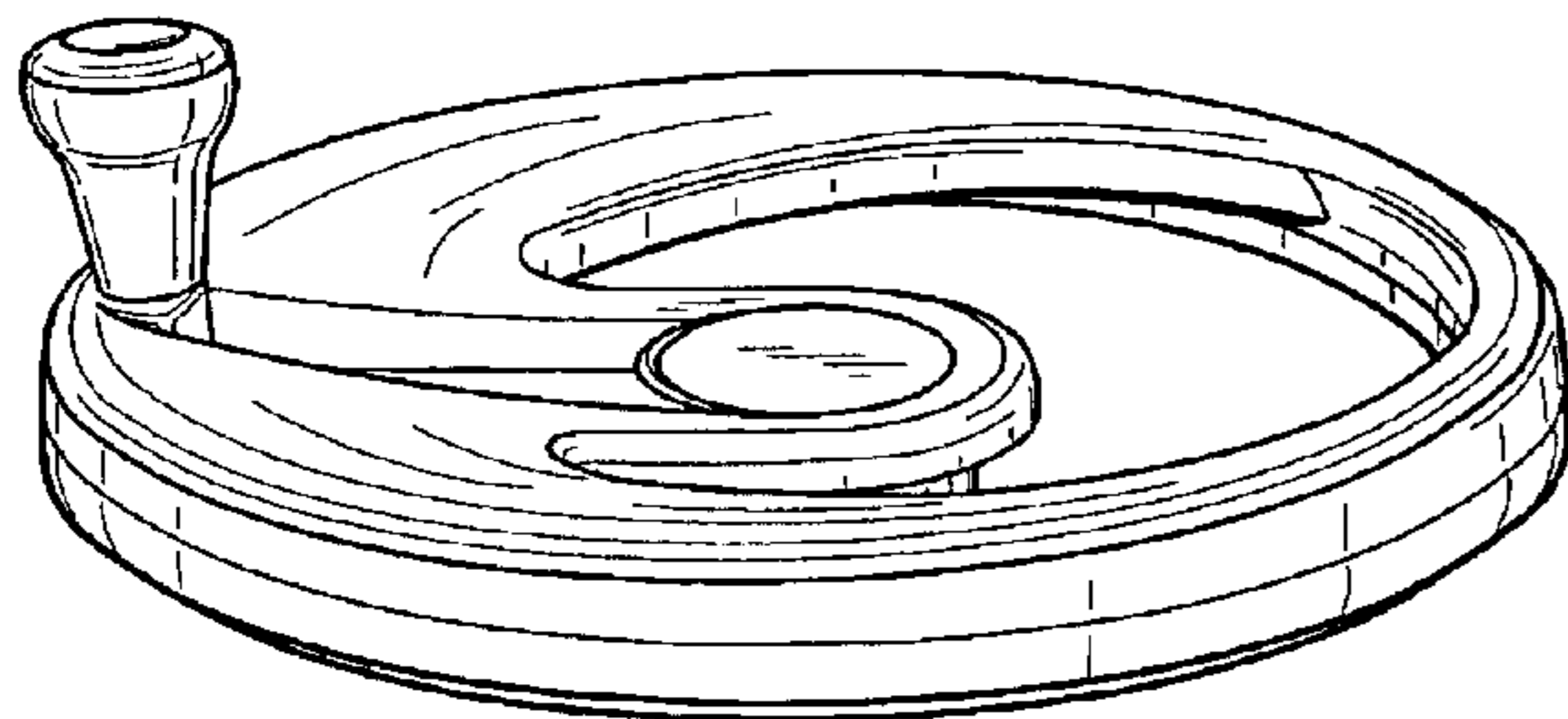
The ornamental design for a handwheel, as shown and described.

DESCRIPTION

FIG. 1 is a perspective view of a first embodiment of my new design for a handwheel;
 FIG. 2 is a top view of FIG. 1;
 FIG. 3 is a front view of FIG. 1;
 FIG. 4 is a left side view of FIG. 1;
 FIG. 5 is a right side view of FIG. 1;
 FIG. 6 is a rear view of FIG. 1;
 FIG. 7 is a bottom view of FIG. 1;
 FIG. 8 is a front sectional view of FIG. 1, taken along the line 8—8 on FIGS. 2 and 7;
 FIG. 9 is a left side sectional view of FIG. 1, taken along the line 9—9 on FIGS. 2 and 7;
 FIG. 10 is a perspective view of a second embodiment of my new design for a handwheel;
 FIG. 11 is a top view of FIG. 10;
 FIG. 12 is a front view of FIG. 10;
 FIG. 13 is a left side view of FIG. 10;
 FIG. 14 is a right side view of FIG. 10;
 FIG. 15 is a rear view of FIG. 10;
 FIG. 16 is a bottom view of FIG. 10;
 FIG. 17 is a perspective view of the handwheel of FIG. 10 showing a side handle portion in a folded position;
 FIG. 18 is a top view of FIG. 17;
 FIG. 19 is a front sectional view of FIG. 10, taken along the line 19—19 on FIGS. 11 and 16; and,
 FIG. 20 is a left side sectional view of FIG. 10, taken along the line 20—20 on FIGS. 11 and 16.

The oblique line hatching shown in the sectional views of FIGS. 8, 9, 19 and 20 is employed to clarify the disclosure and to minimize the number of views and neither forms part of nor represents a specific material of the claimed design.

1 Claim, 9 Drawing Sheets



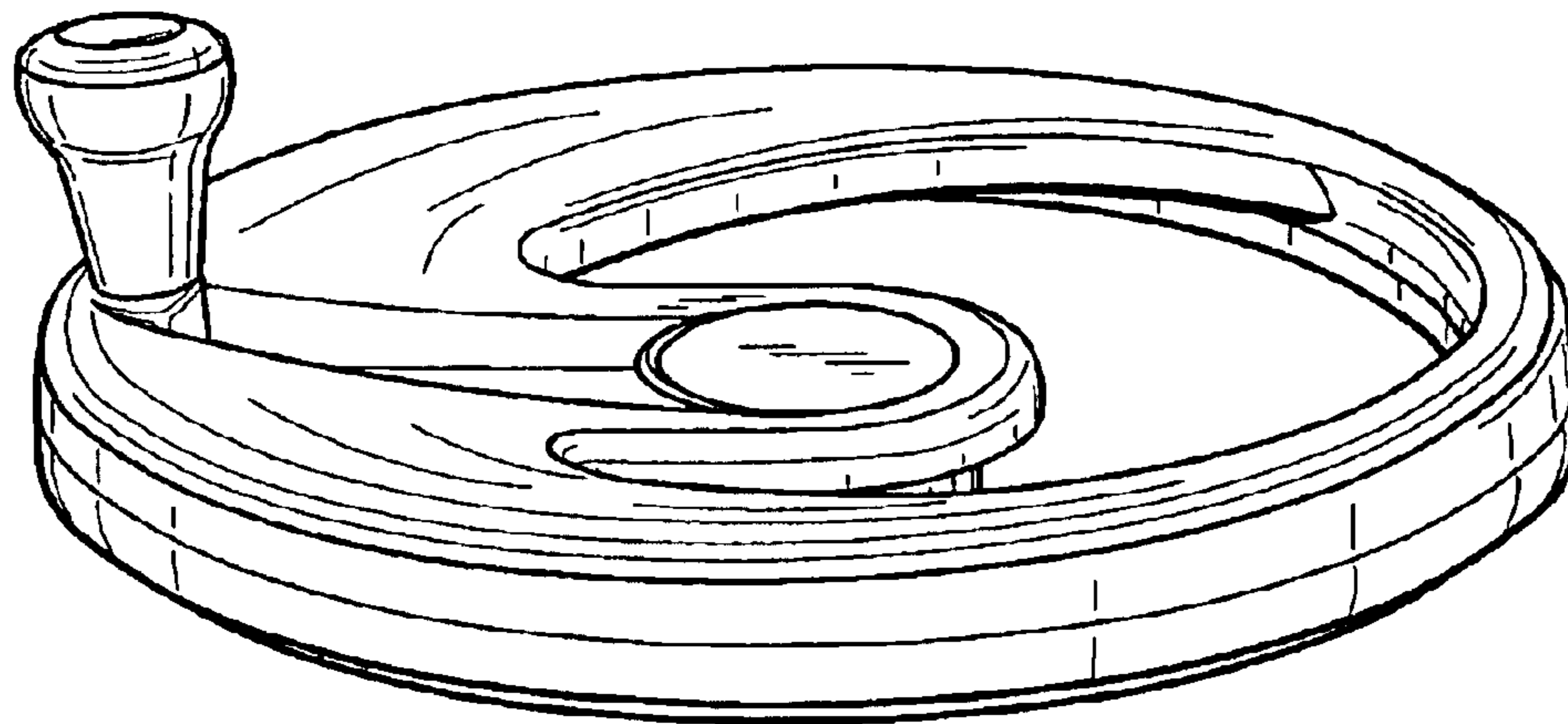


FIG. 1

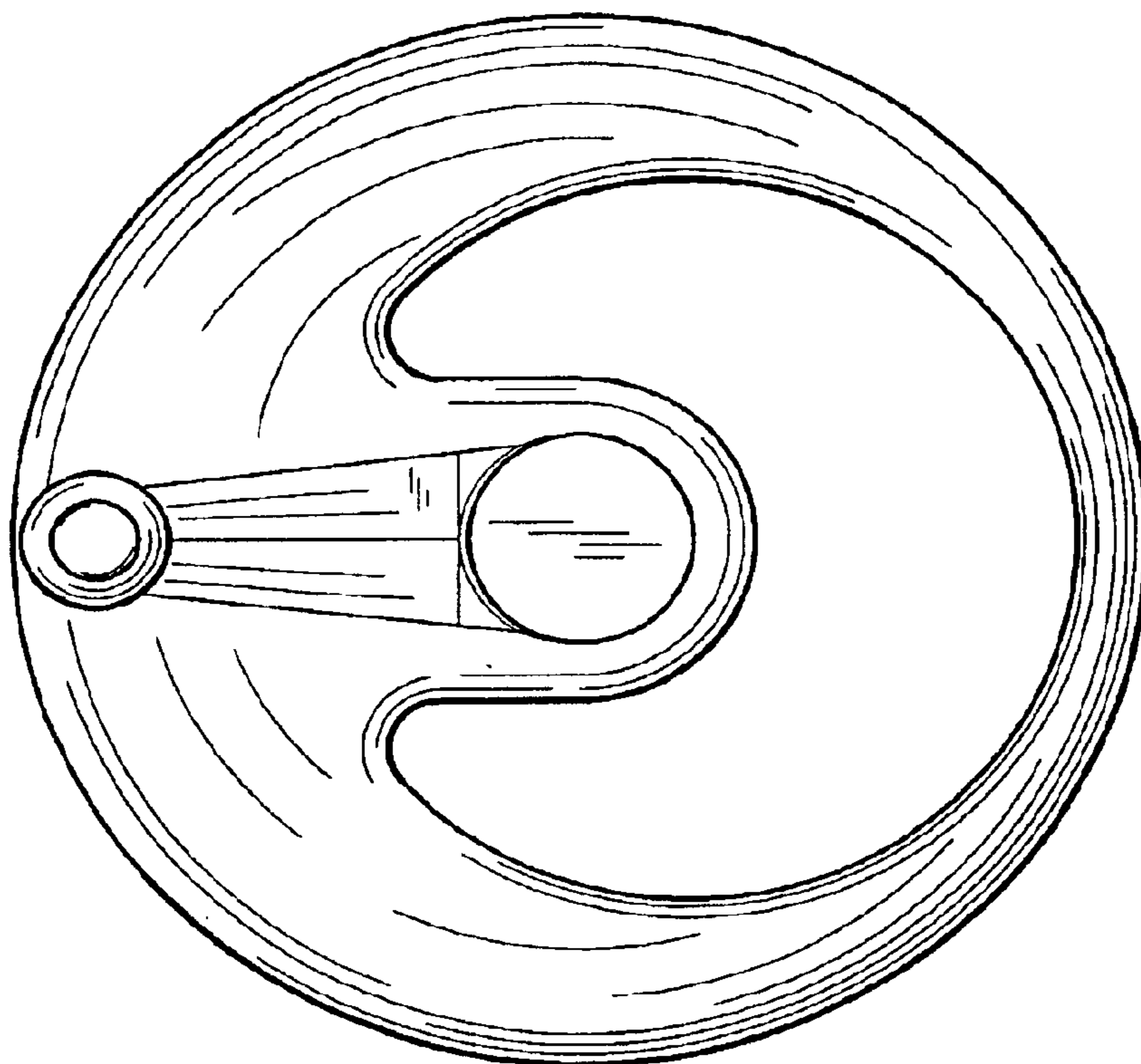


FIG. 2

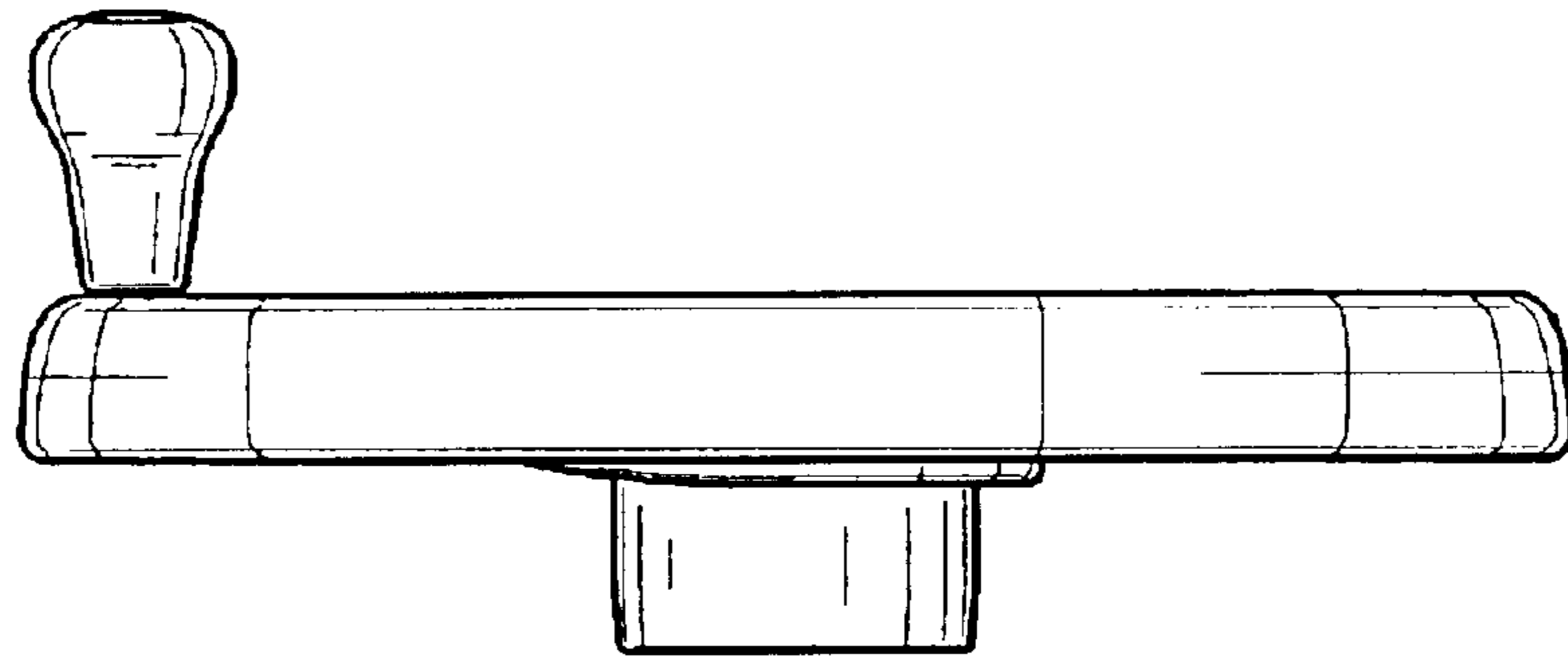


FIG. 3

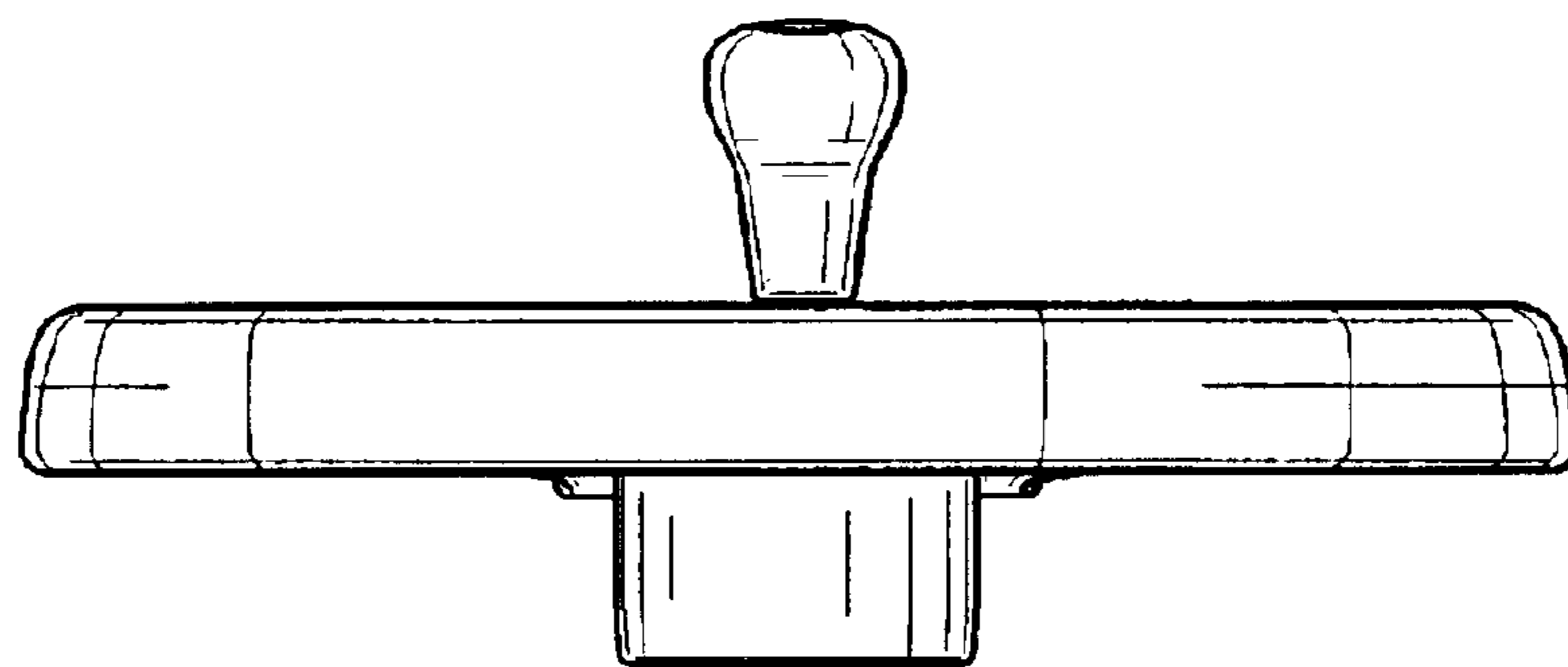


FIG. 4

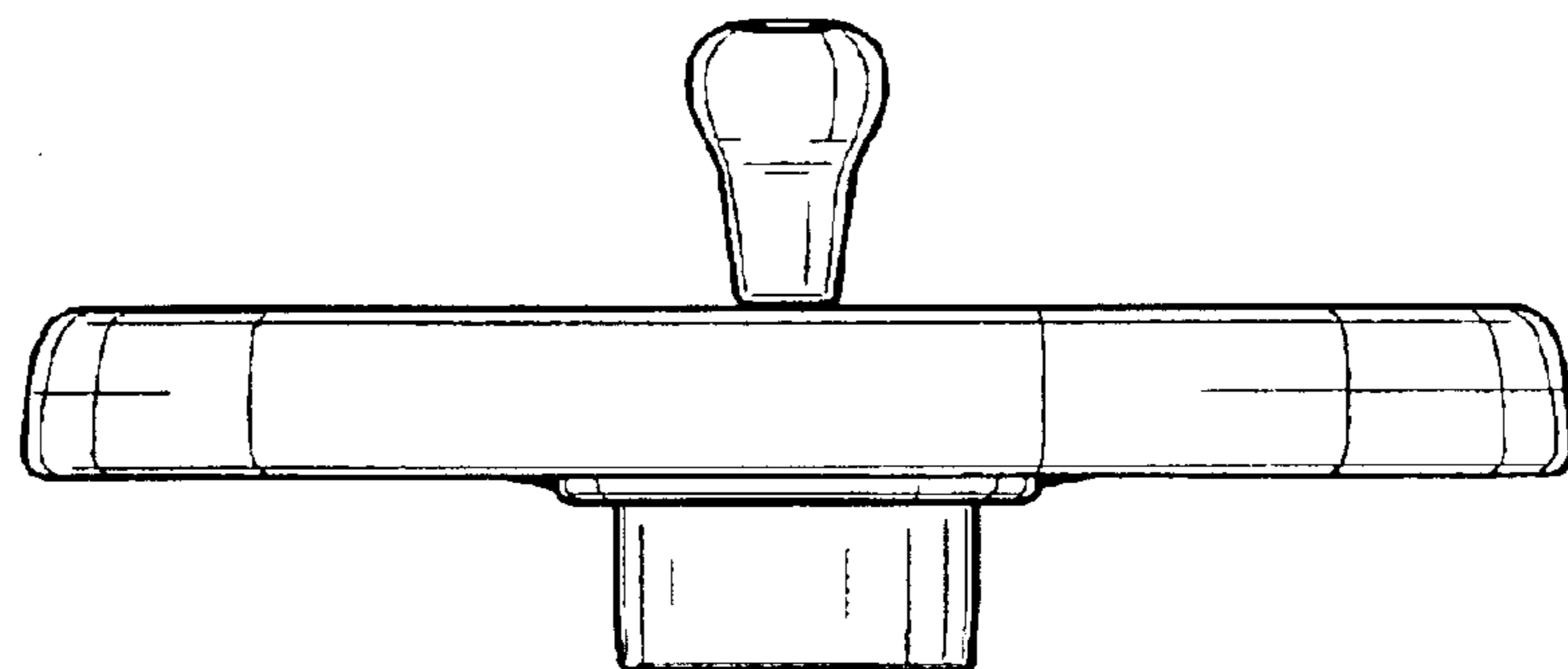


FIG. 5

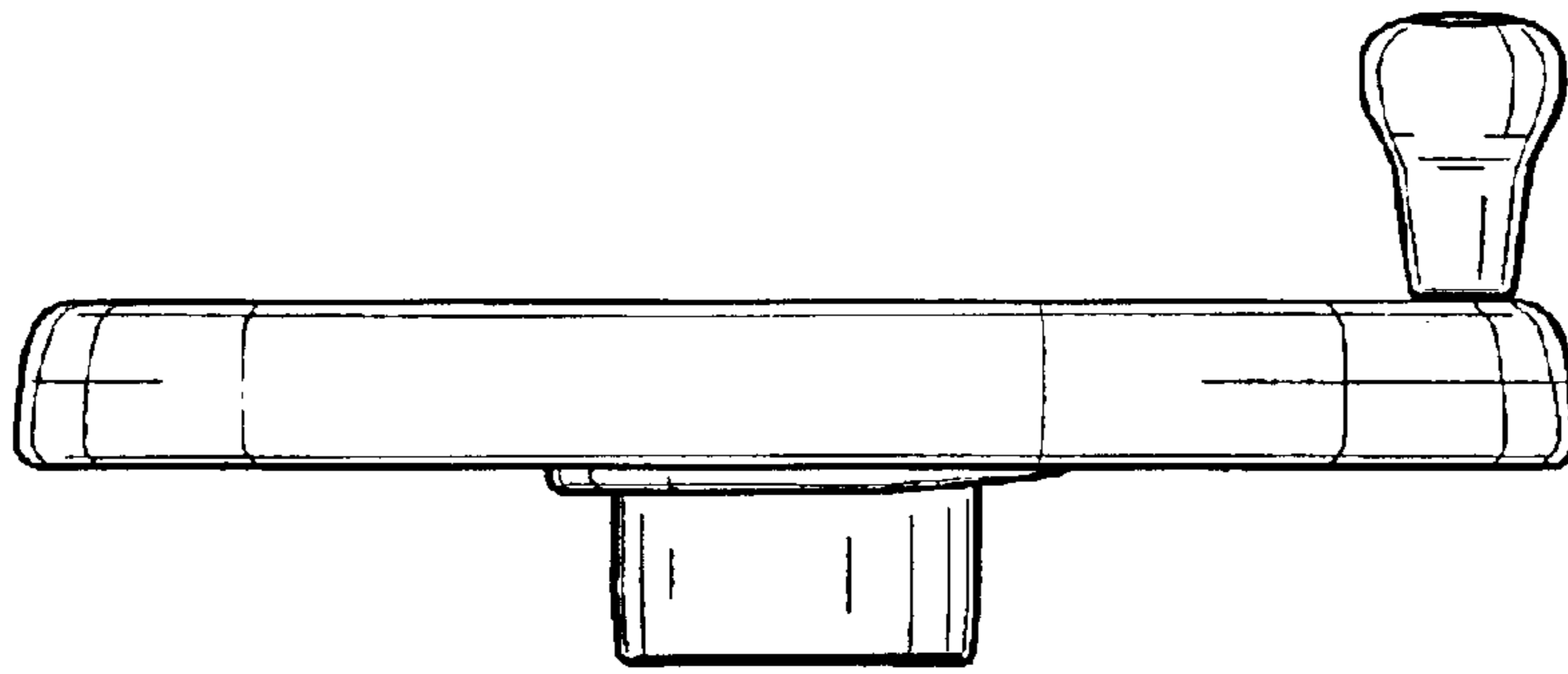


FIG. 6

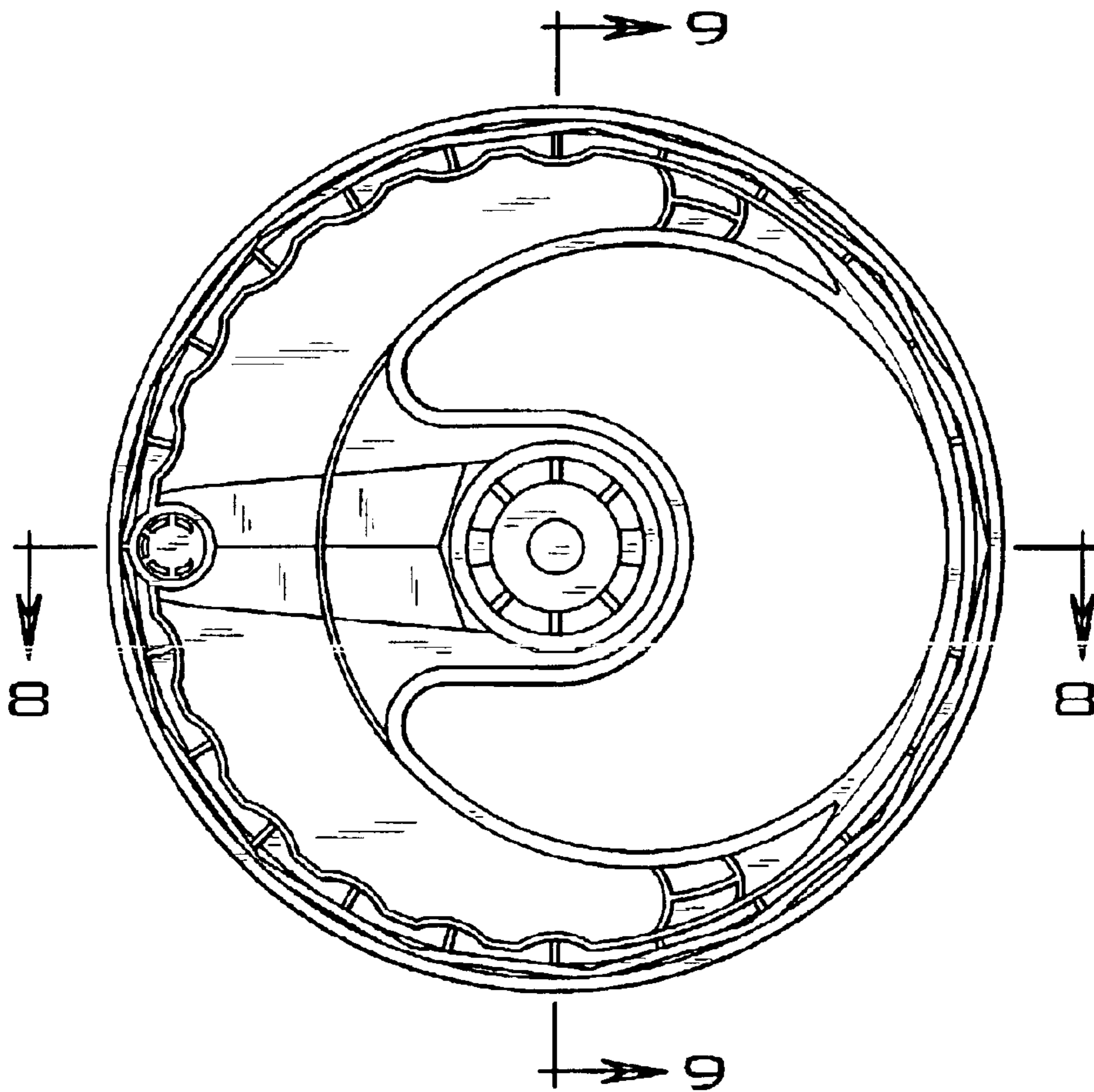


FIG. 7

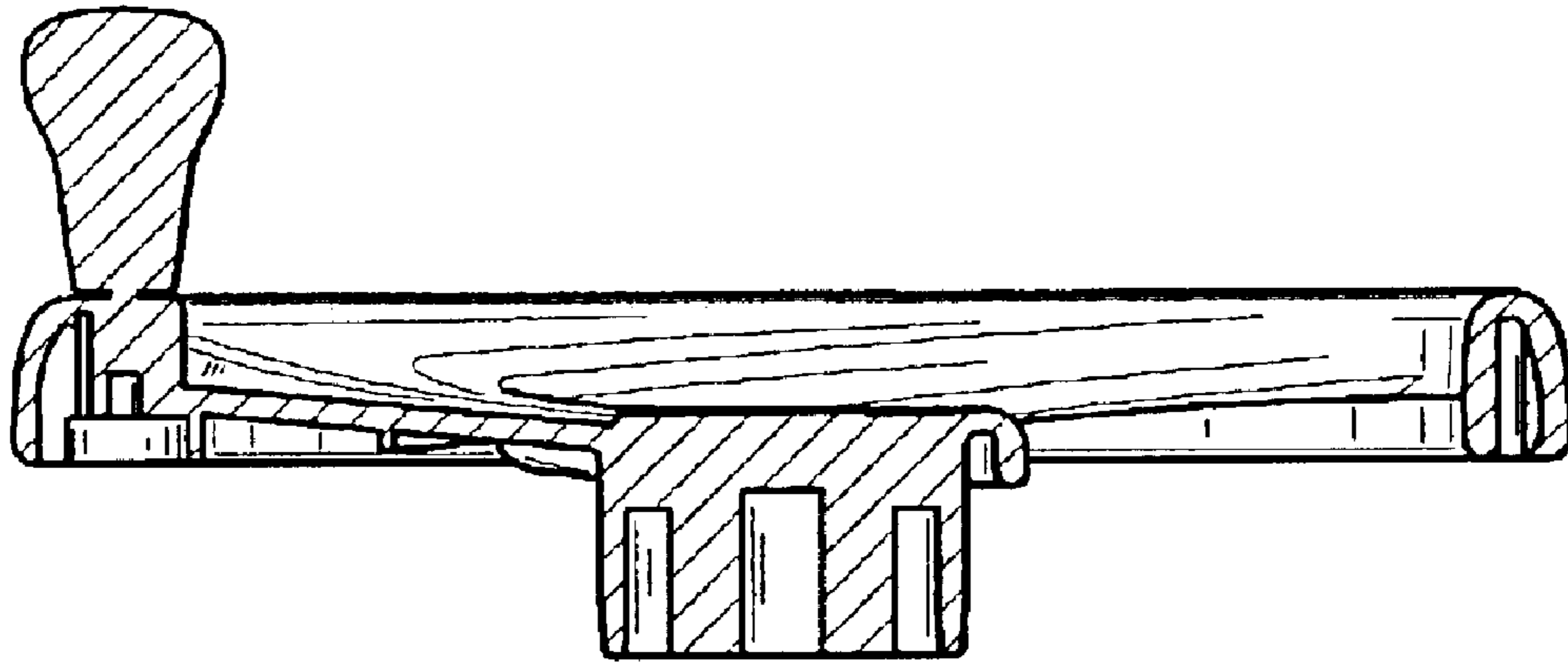


FIG. 8

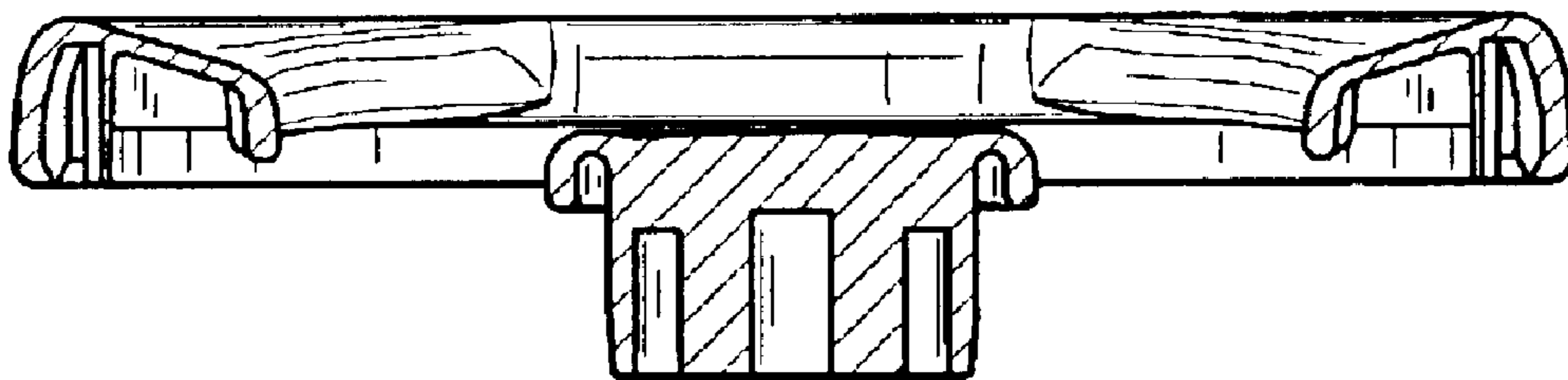


FIG. 9

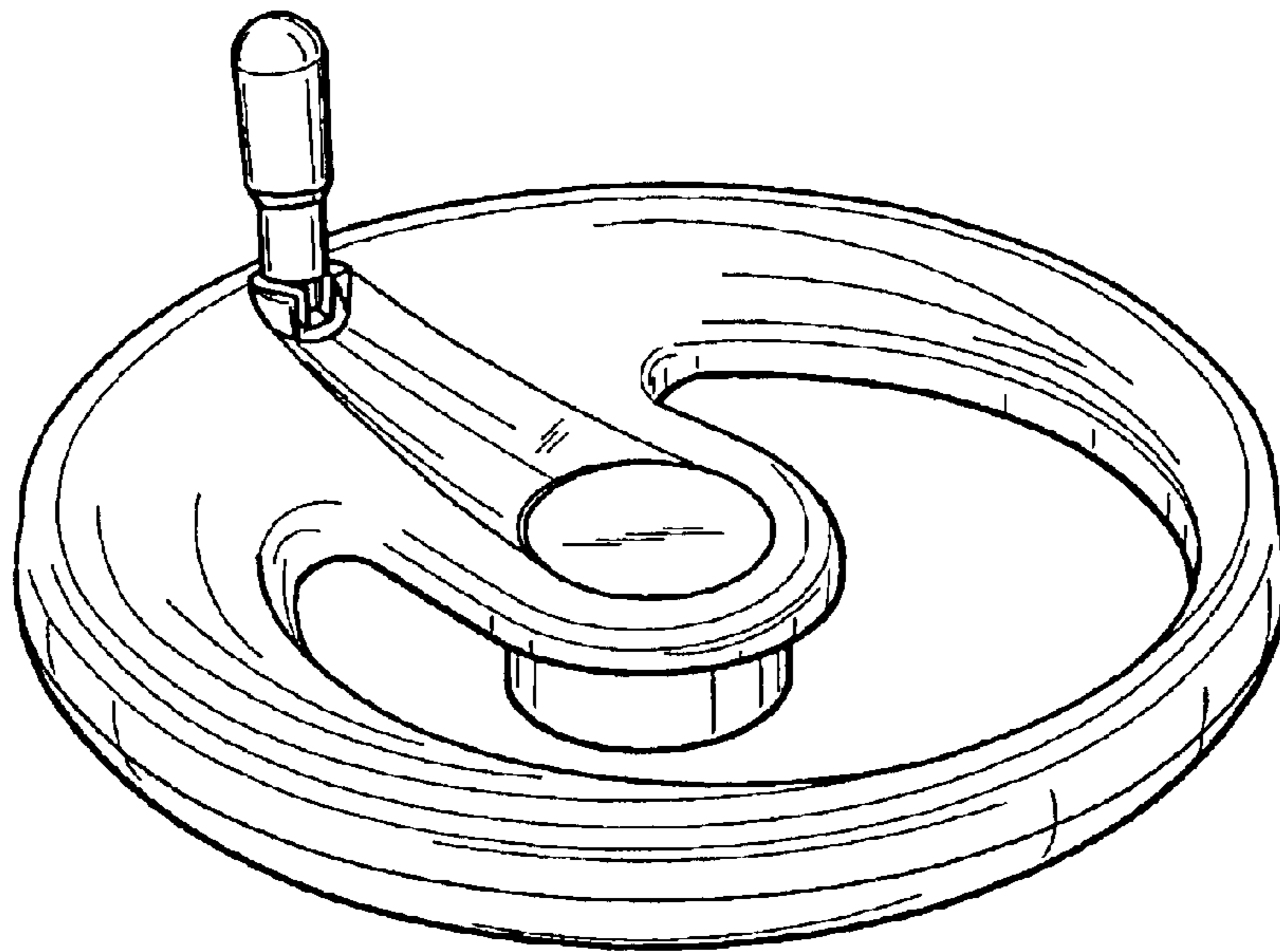


FIG. 10

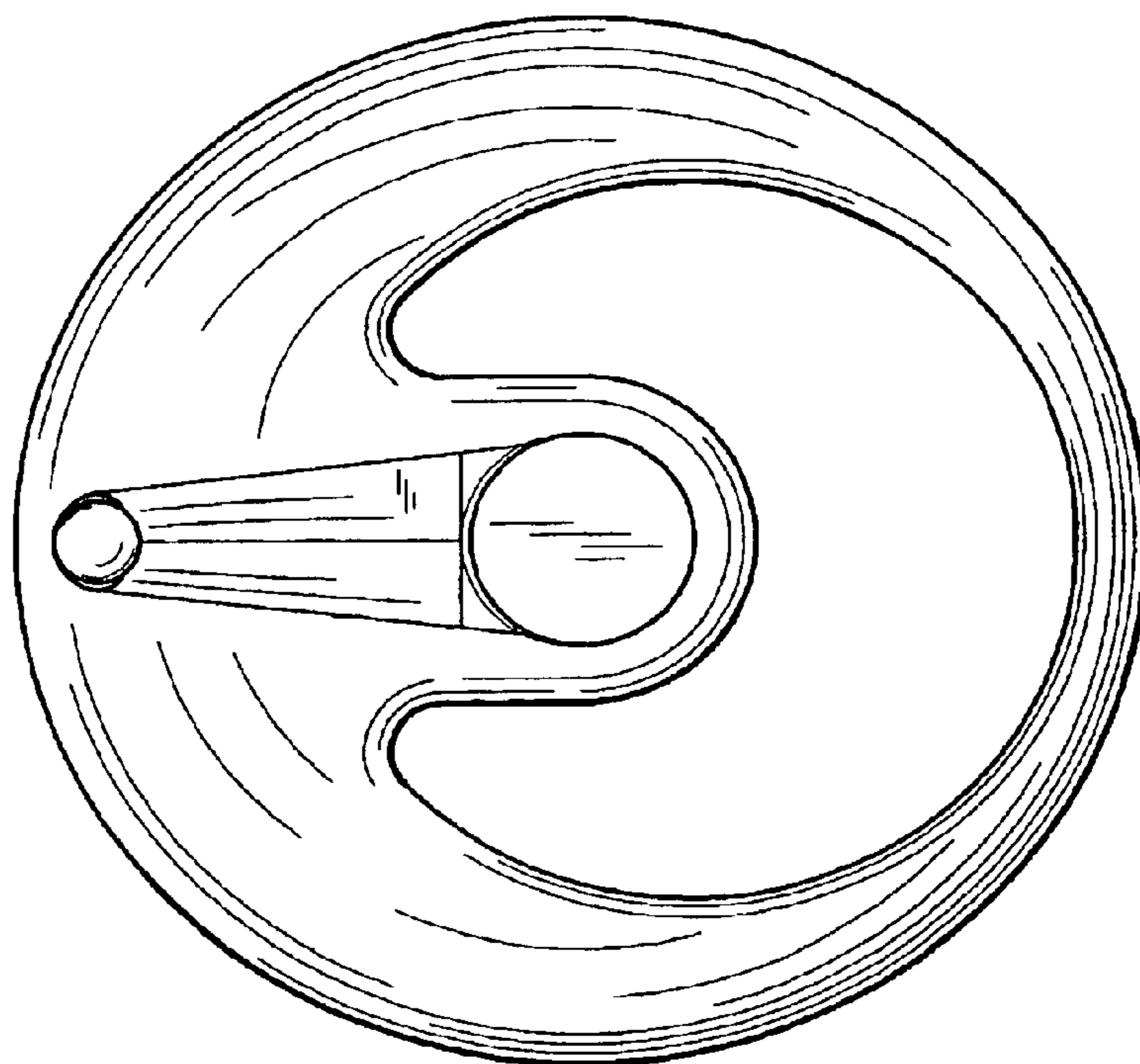


FIG. 11

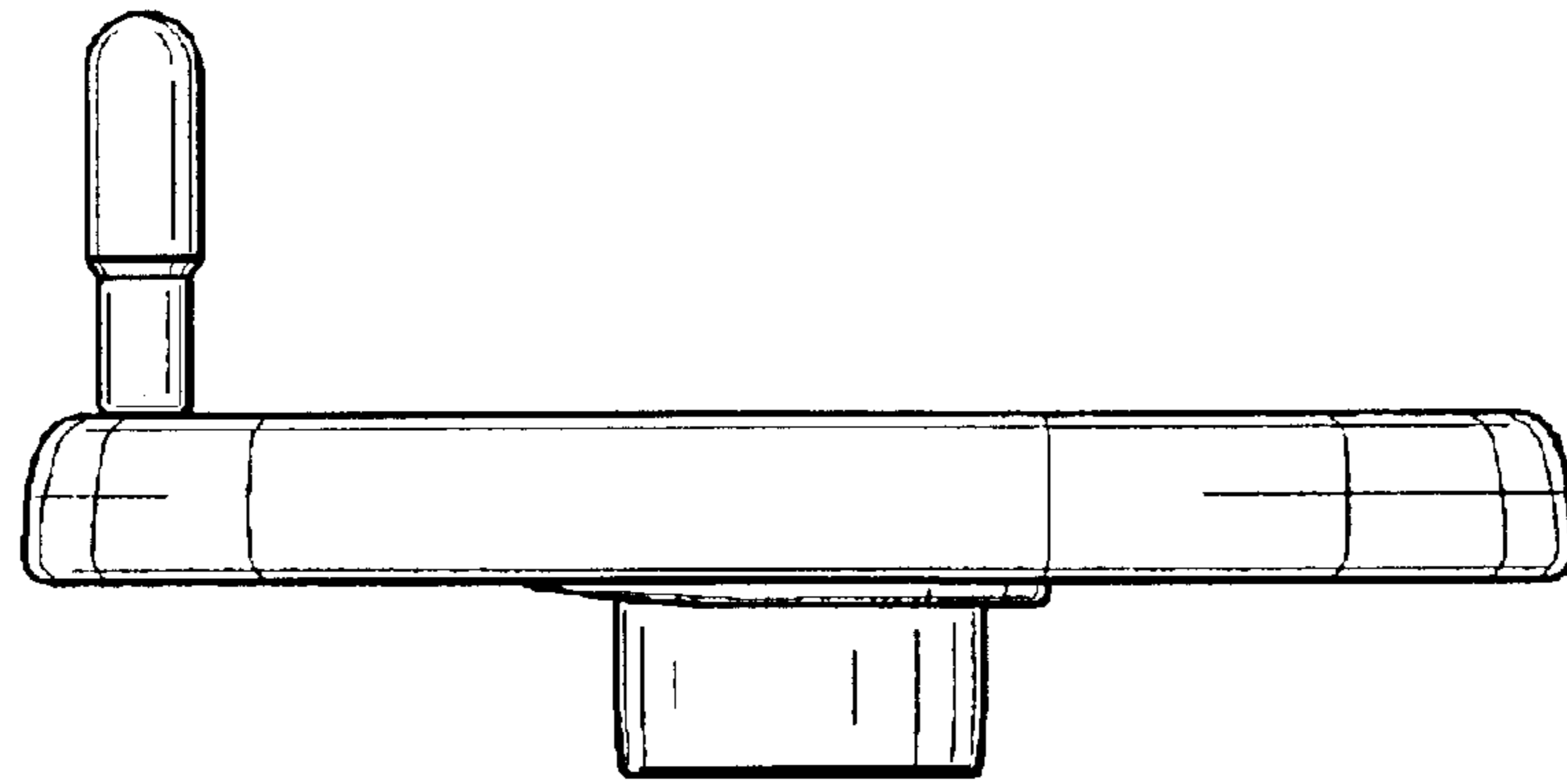


FIG. 1 2

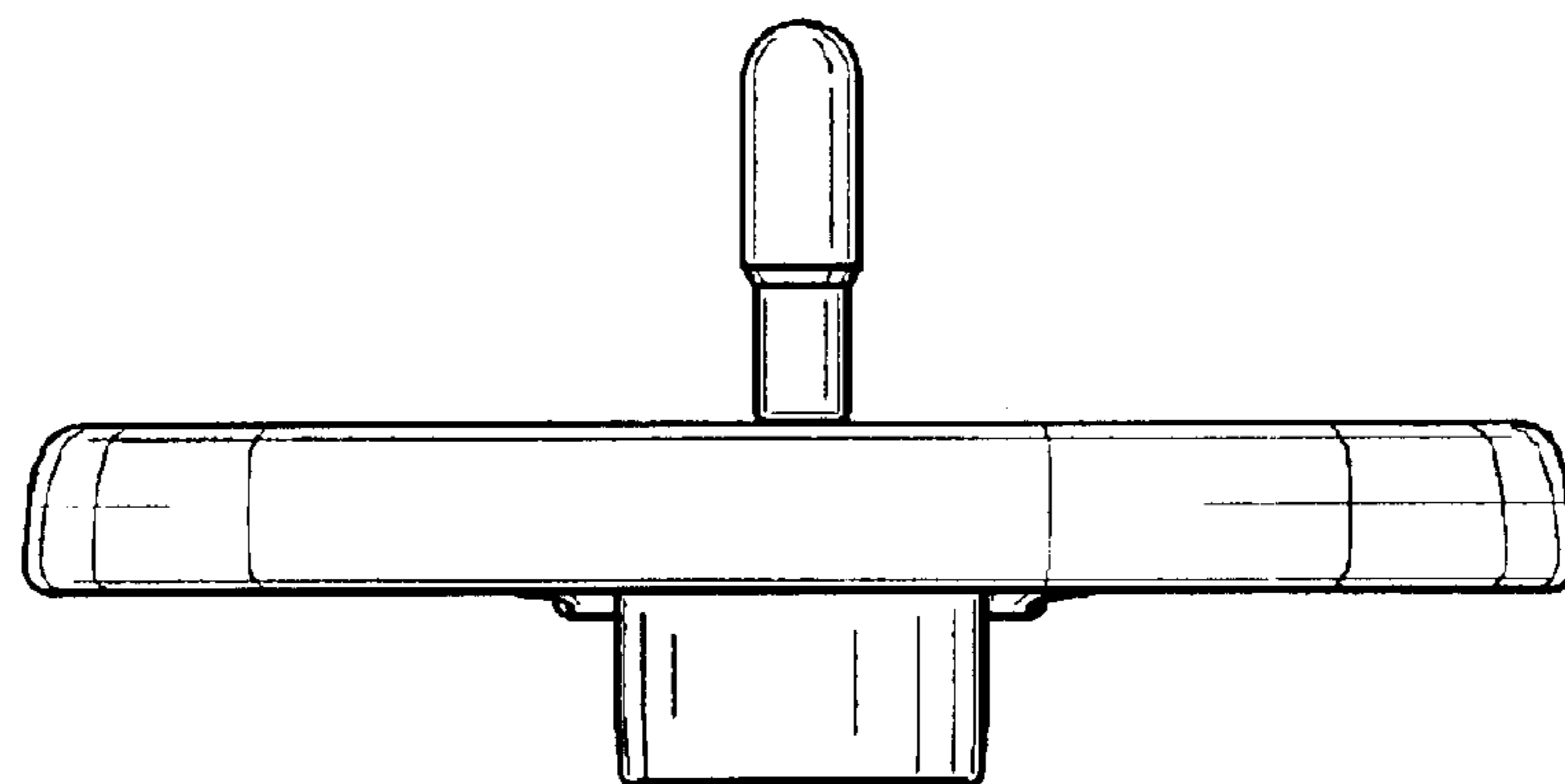


FIG. 1 3

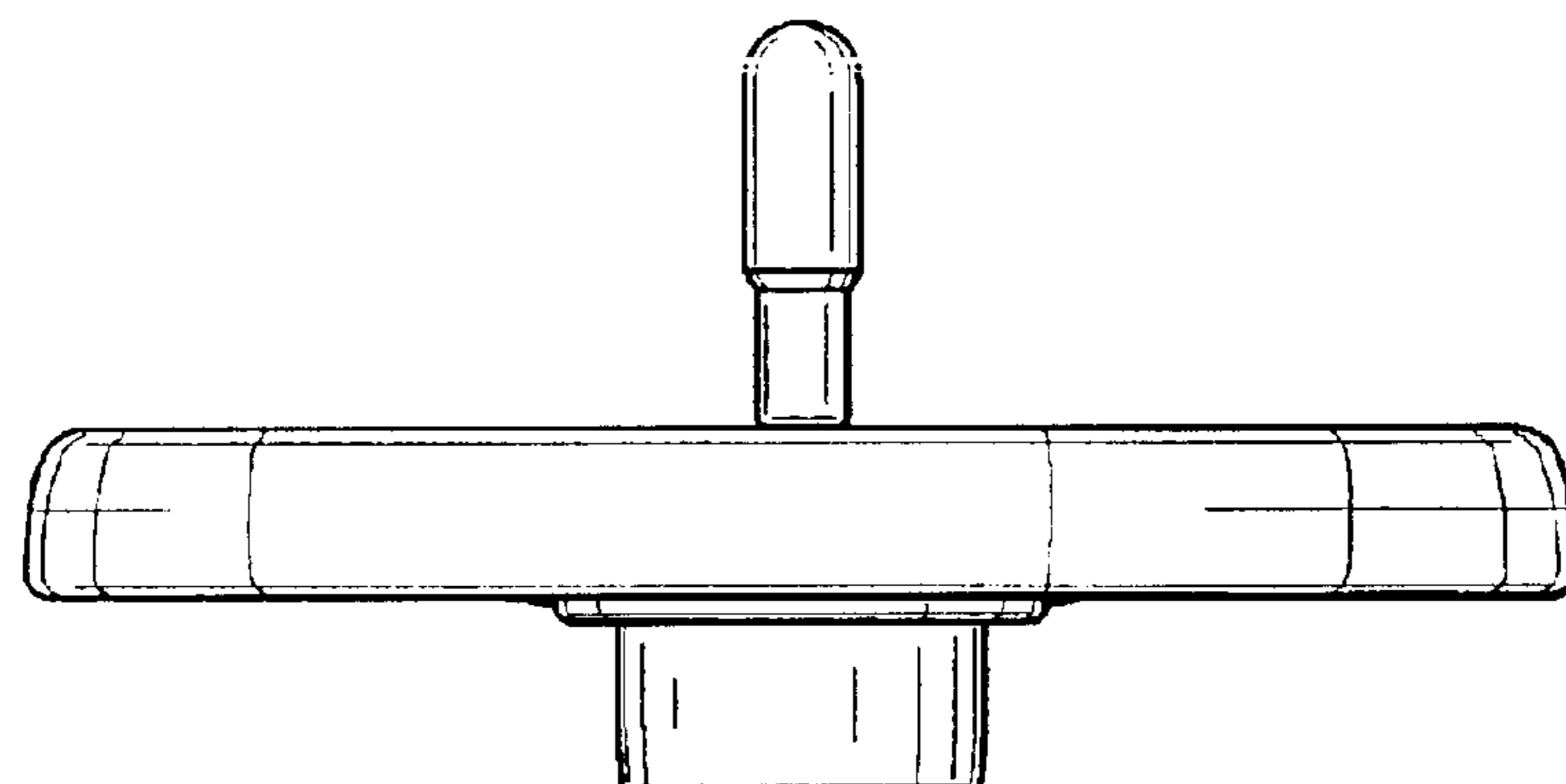


FIG. 1 4

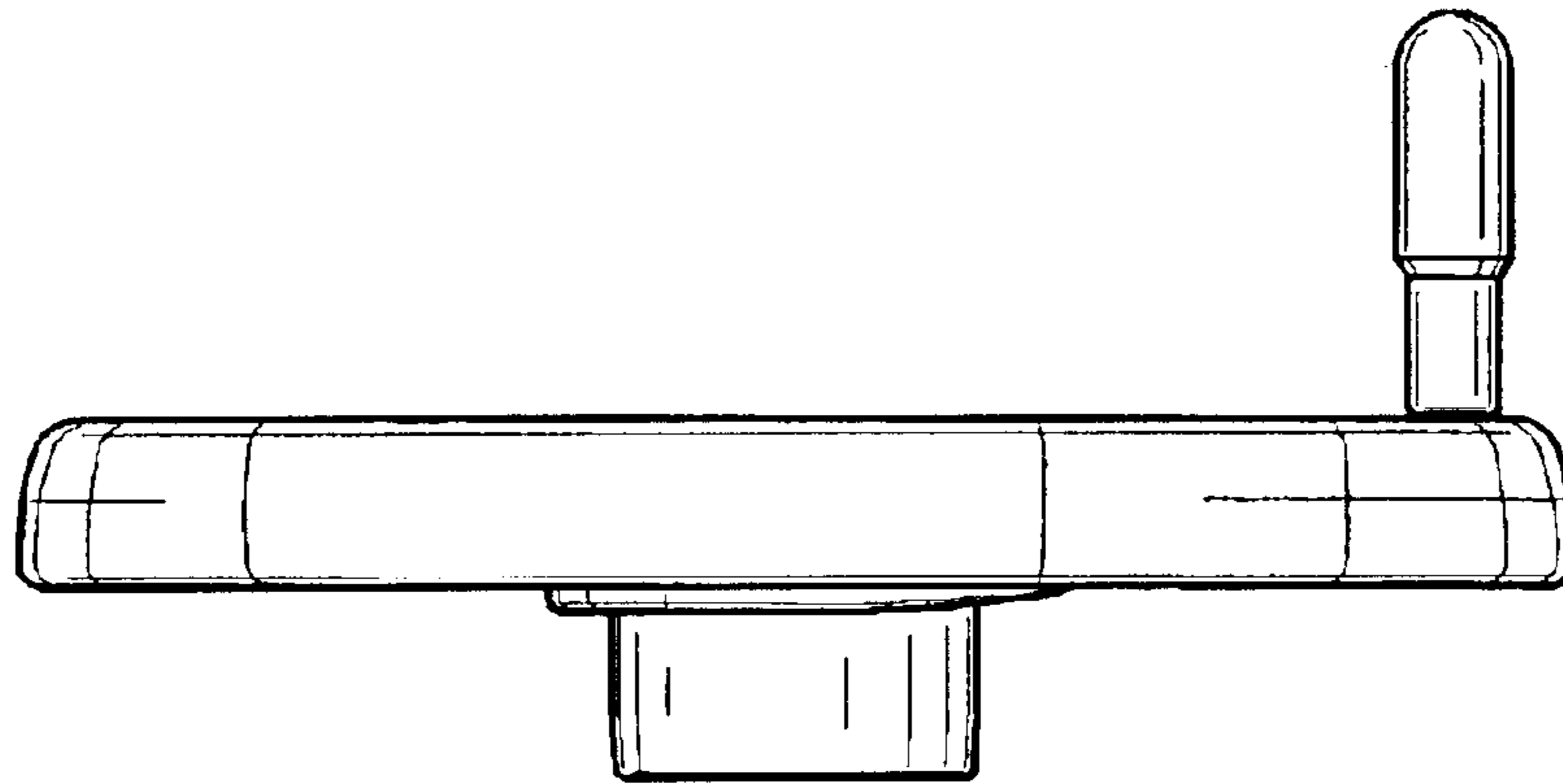


FIG. 15

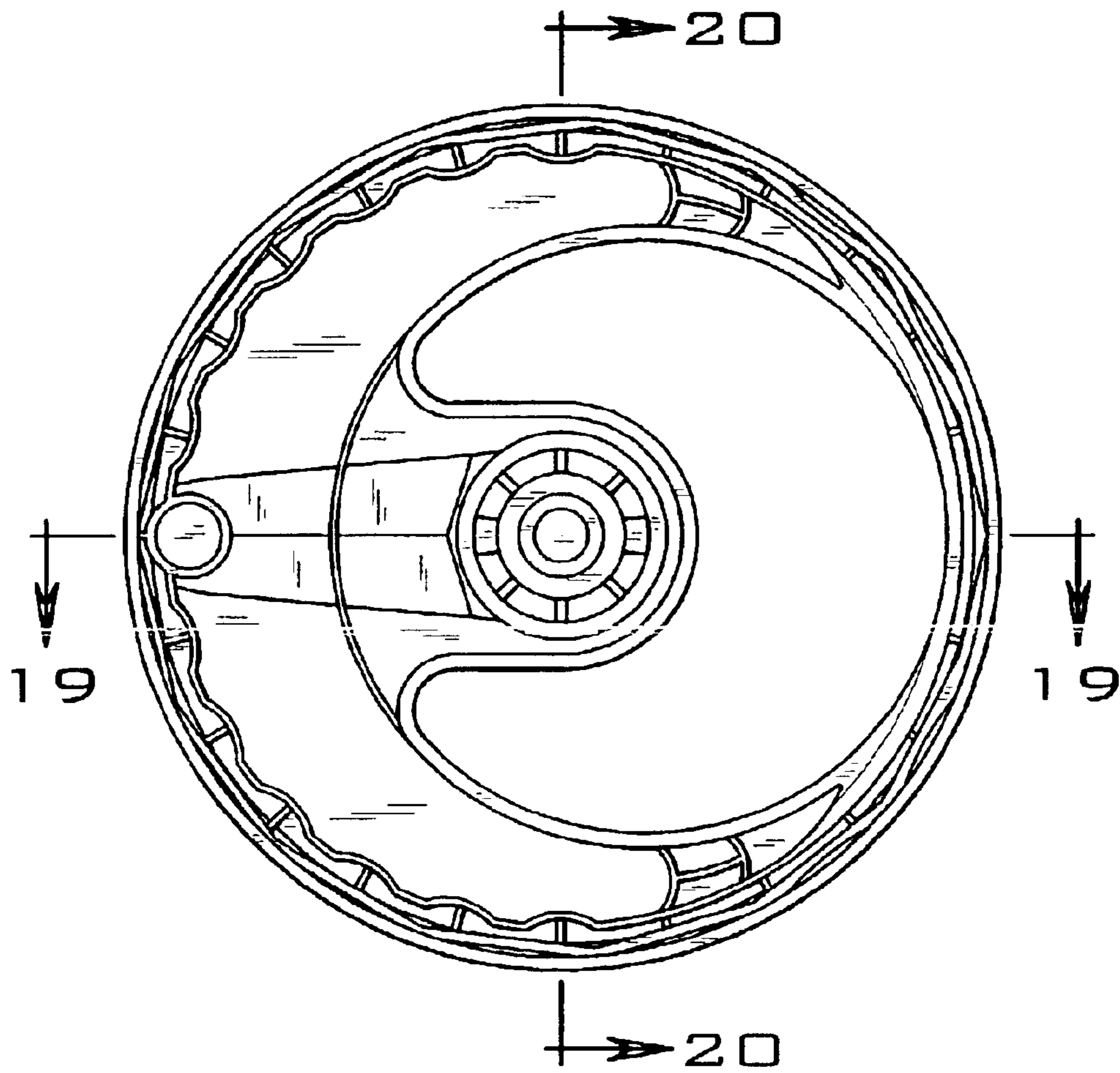


FIG. 16

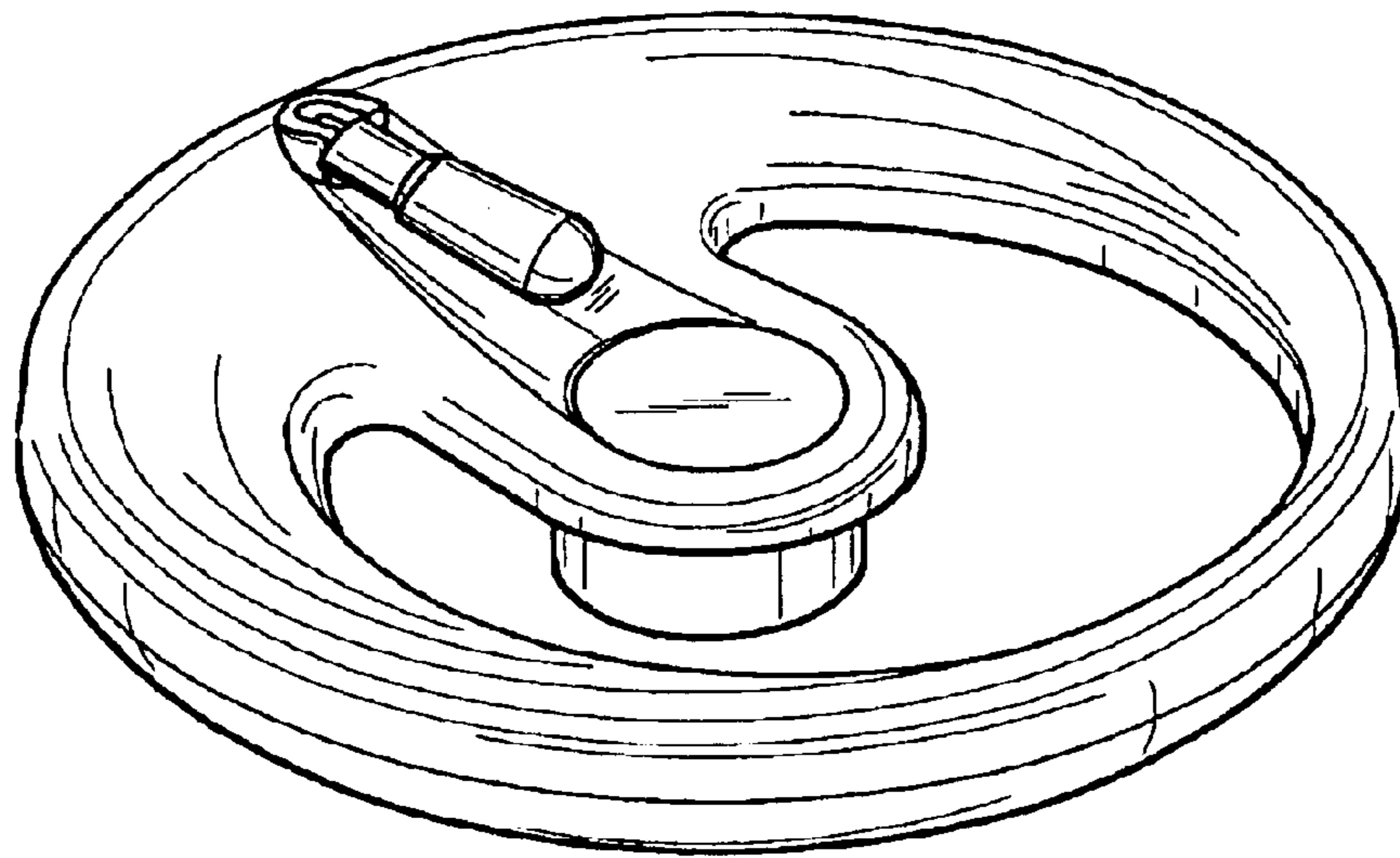


FIG. 17

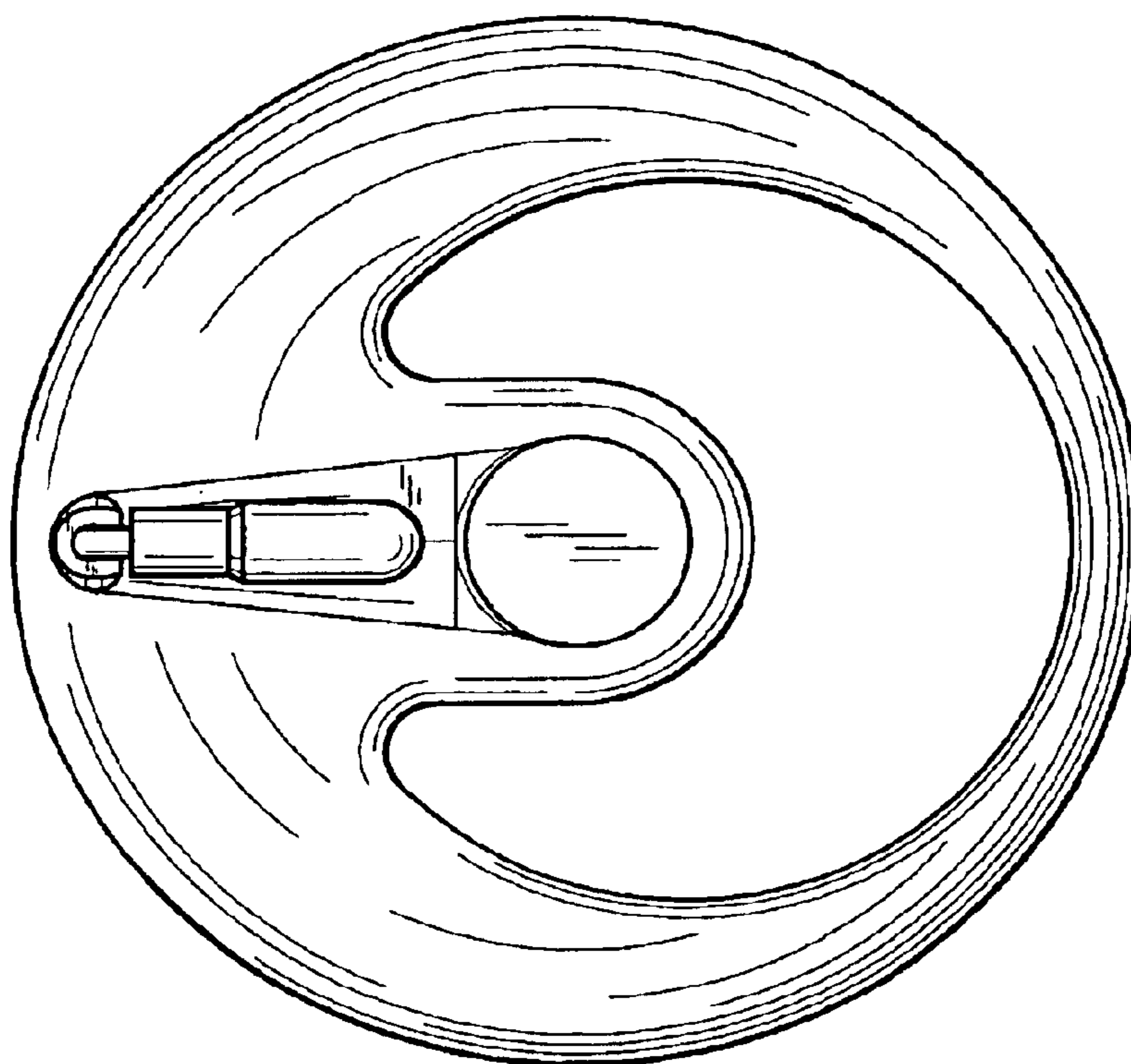


FIG. 18

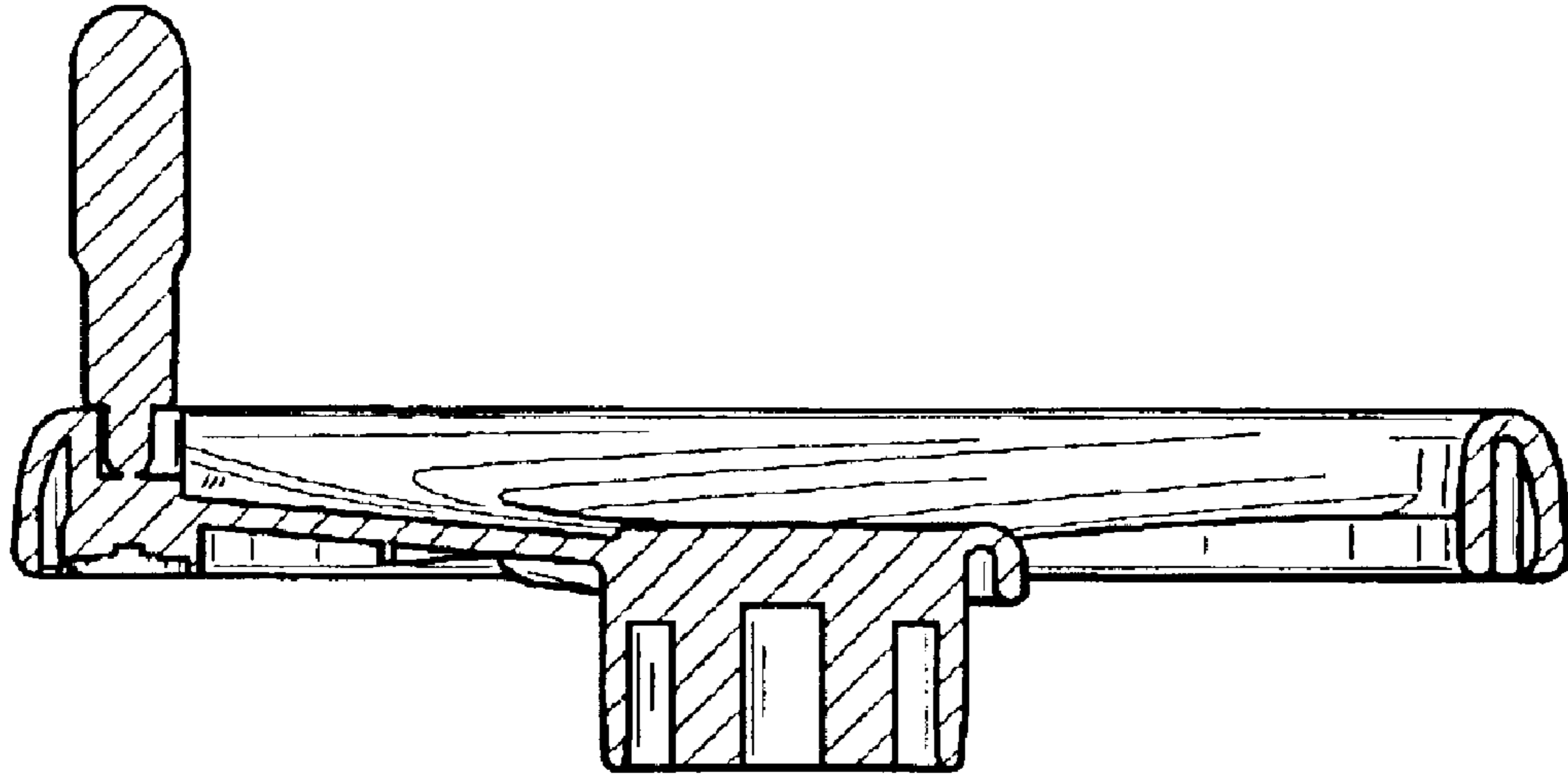


FIG. 19

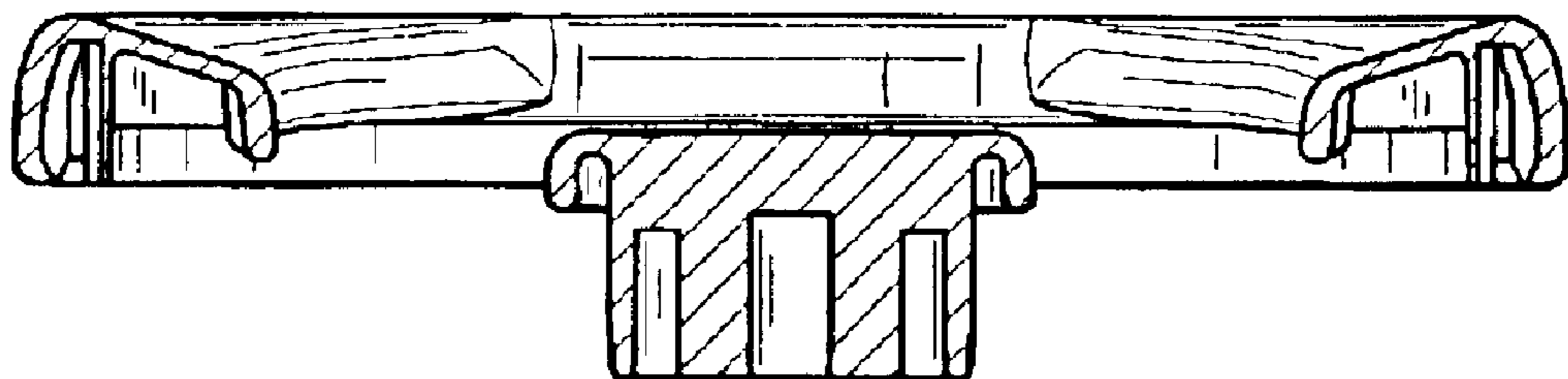


FIG. 20

UNITED STATES PATENT AND TRADEMARK OFFICE
CERTIFICATE OF CORRECTION

PATENT NO. : Des. 495,231 S
DATED : August 31, 2004
INVENTOR(S) : Alberto Bertani

Page 1 of 1

It is certified that error appears in the above-identified patent and that said Letters Patent is hereby corrected as shown below:

Title page,

Insert Item -- [30]

Foreign Application Data

Jul. 10, 2002 (WO) DM/060616 --

Signed and Sealed this

Thirtieth Day of November, 2004

A handwritten signature in black ink on a dotted background. The signature reads "Jon W. Dudas" in a cursive style.

JON W. DUDAS

Director of the United States Patent and Trademark Office