

US00D495228S1

(12) **United States Design Patent**
Scarla

(10) **Patent No.:** **US D495,228 S**

(45) **Date of Patent:** **** Aug. 31, 2004**

(54) **BLADE HOLDER**

6,574,868 B1 * 6/2003 Overholt 30/155

(76) **Inventor:** **Robert Scarla**, 7498 E. Monte Cristo Ave., Scottsdale, AZ (US) 85260

* cited by examiner

Primary Examiner—Philip S. Hyder

(**) **Term:** **14 Years**

(74) *Attorney, Agent, or Firm*—Snell & Wilmer L.L.P.

(21) **Appl. No.:** **29/187,328**

(57) **CLAIM**

(22) **Filed:** **Jul. 30, 2003**

The ornamental design for a blade holder, as shown and described.

(51) **LOC (7) Cl.** **08-03**

DESCRIPTION

(52) **U.S. Cl.** **D8/99**

(58) **Field of Search** D8/98, 99, 105;
30/154, 155, 156, 157, 158, 159, 160, 161,
330

FIG. 1 is a perspective view of a blade holder showing my new design;

FIG. 2 is a top perspective front view thereof;

FIG. 3 is a top perspective back view thereof;

FIG. 4 is a front view thereof;

FIG. 5 is a rear side view thereof;

FIG. 6 is a right side view thereof;

FIG. 7 is a left view thereof;

FIG. 8 is a top view of thereof; and,

FIG. 9 is a bottom view thereof.

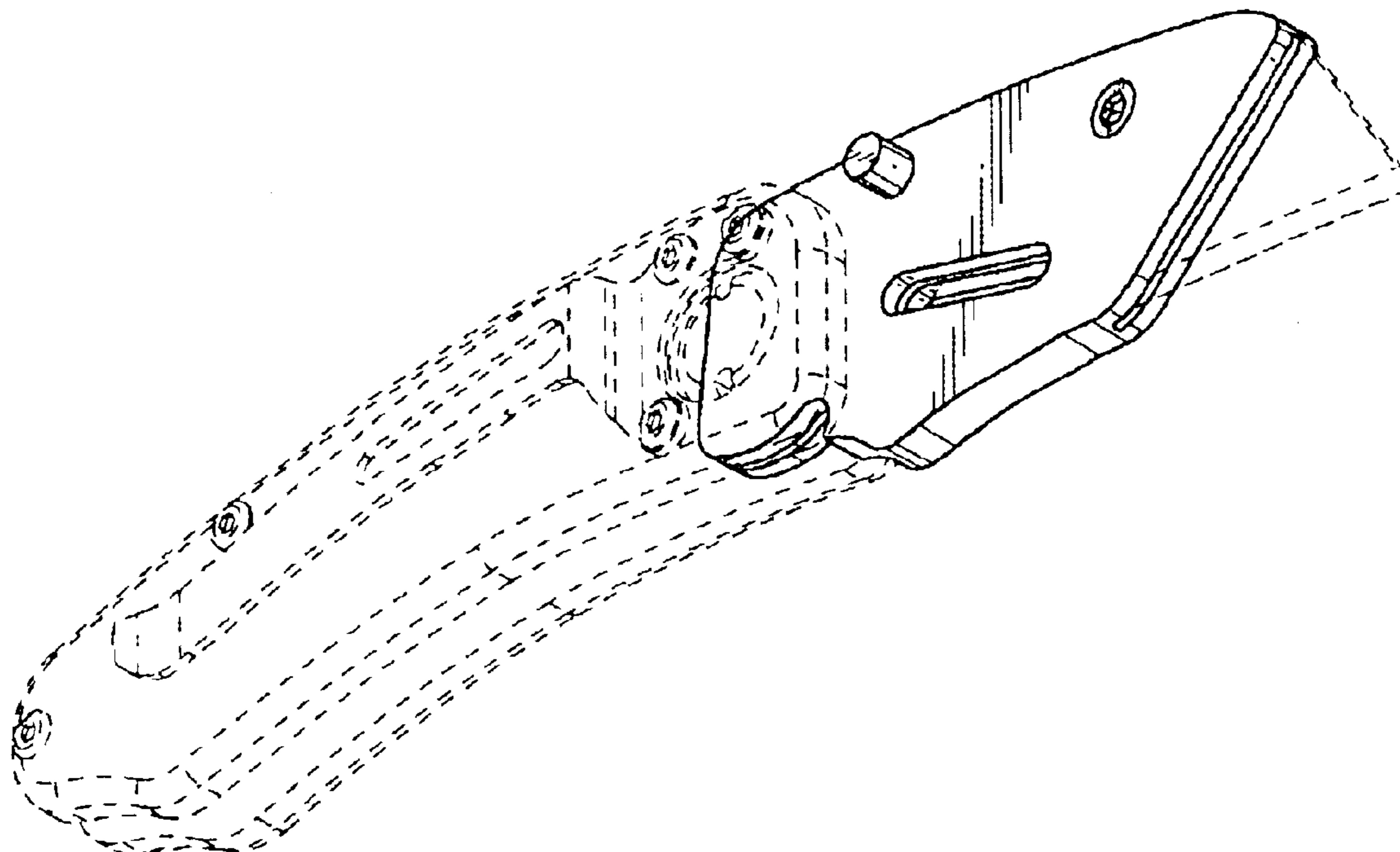
The broken lines throughout the views are for illustrative purposes only and form no part of the claimed design.

(56) **References Cited**

U.S. PATENT DOCUMENTS

D373,062 S	*	8/1996	Neron	D8/99
5,769,094 A	*	6/1998	Jenkins et al.	30/161
D422,479 S	*	4/2000	Pardue	D8/99
D437,767 S	*	2/2001	Van Deursen	D8/99
6,354,007 B1	*	3/2002	Scarla	30/156
D474,669 S	*	5/2003	Onion	D8/99

1 Claim, 4 Drawing Sheets



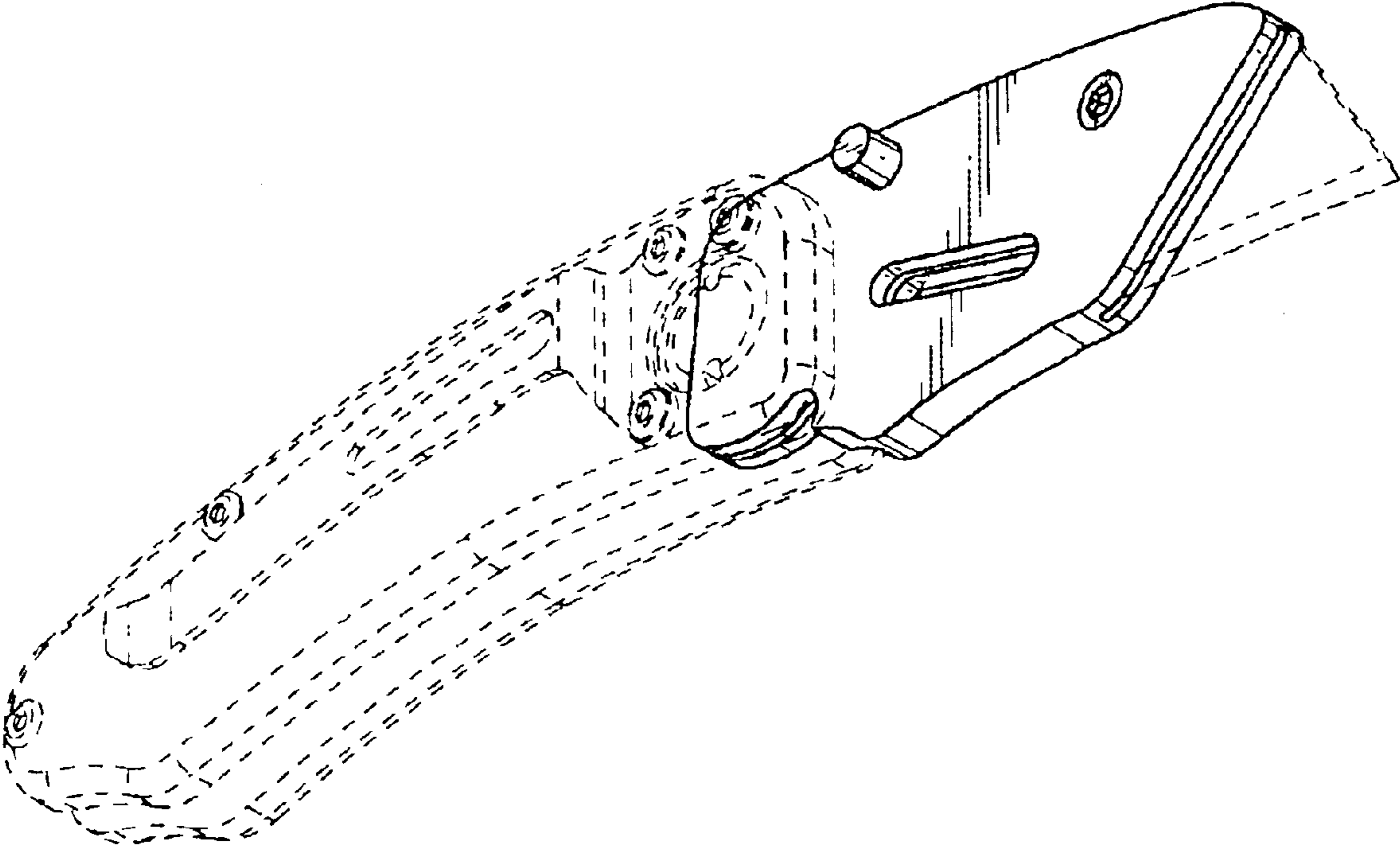


FIG.1

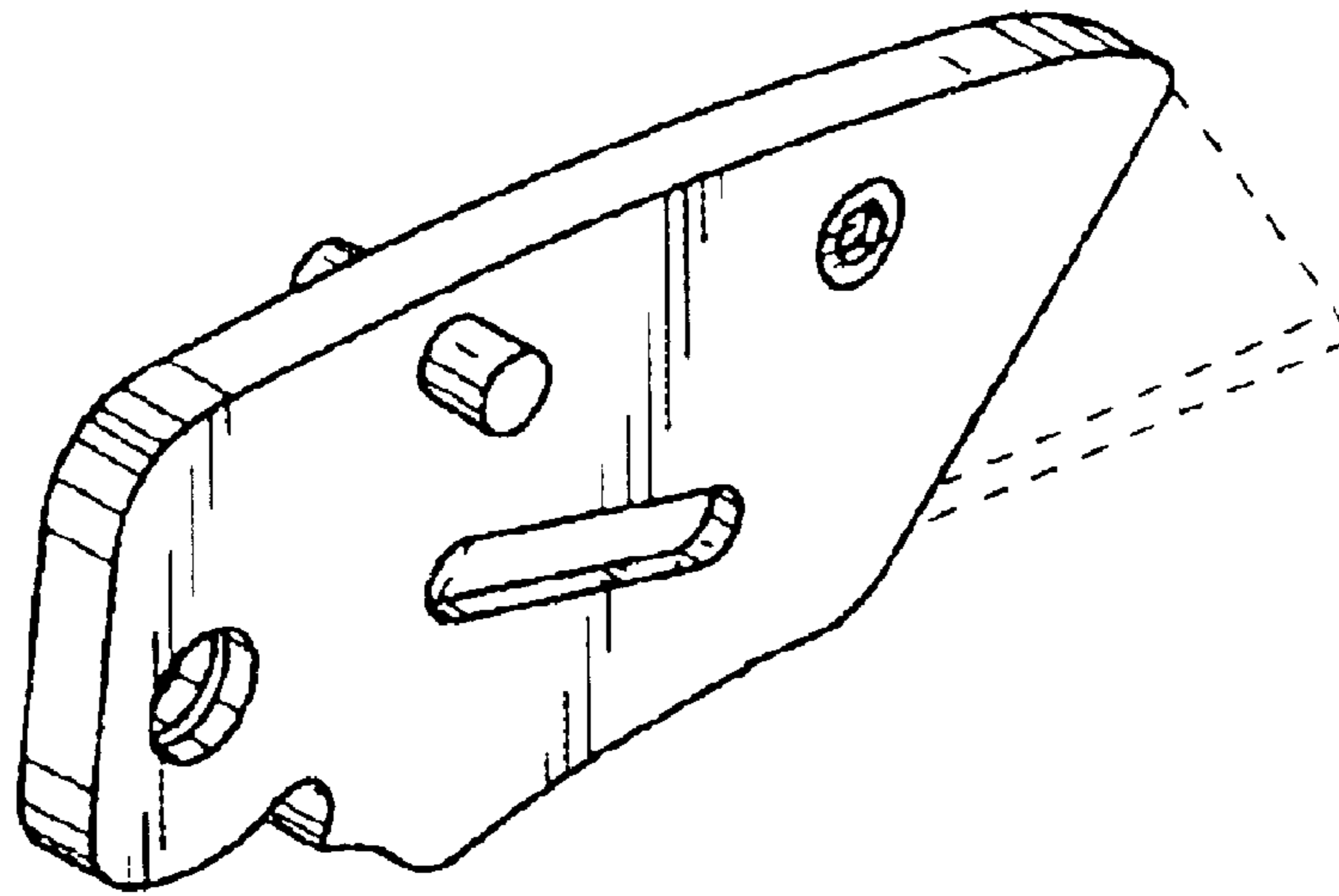


FIG. 2

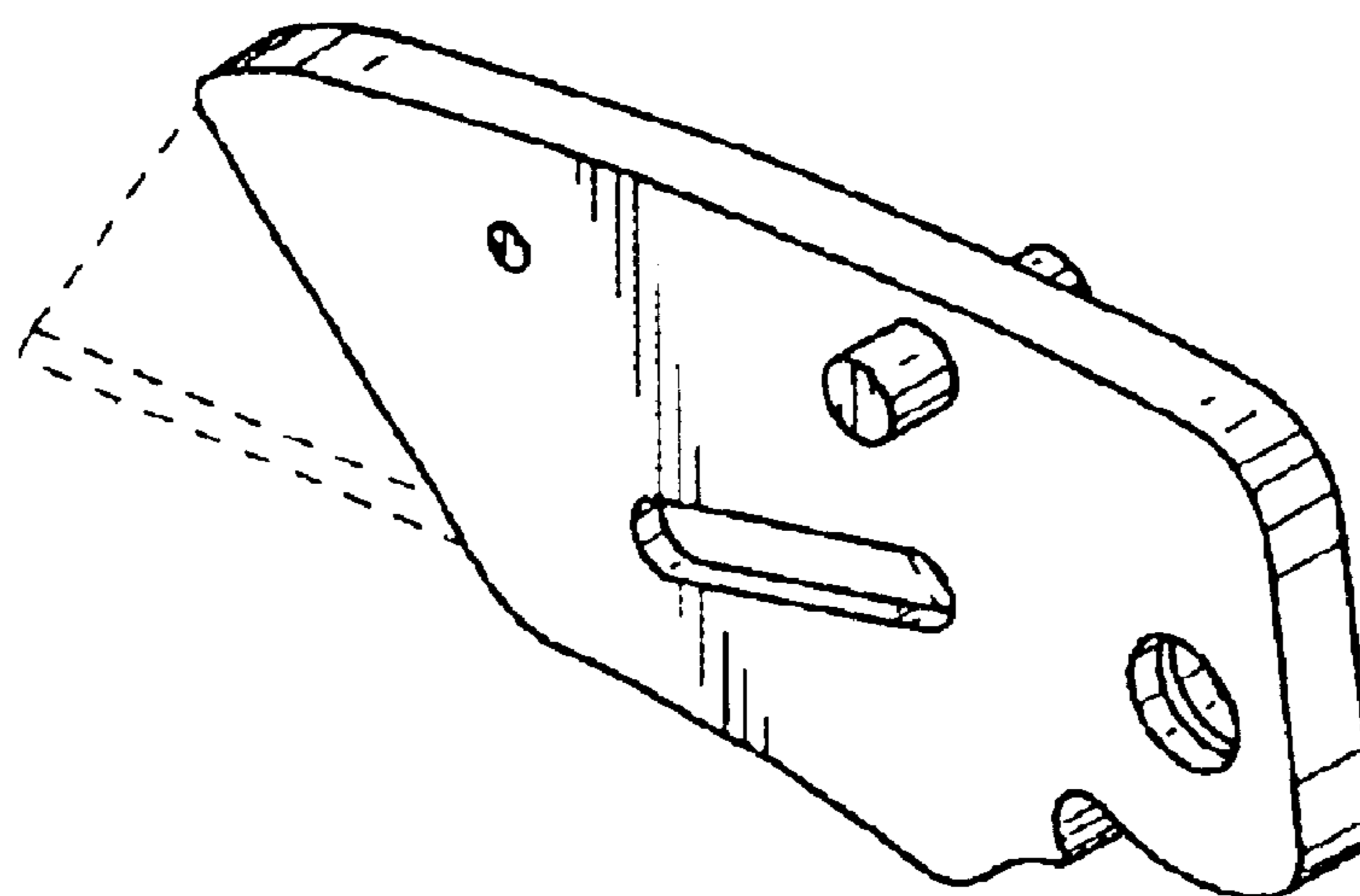


FIG. 3

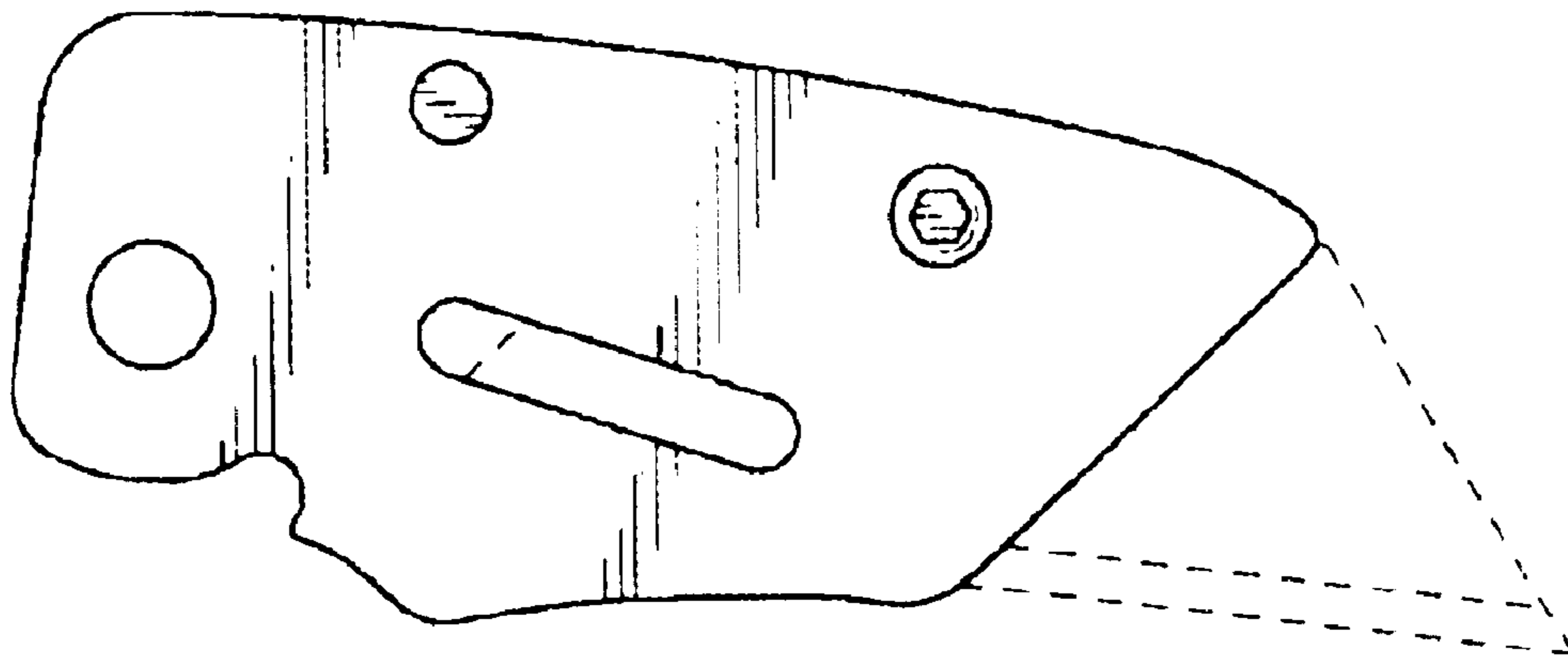


FIG.4

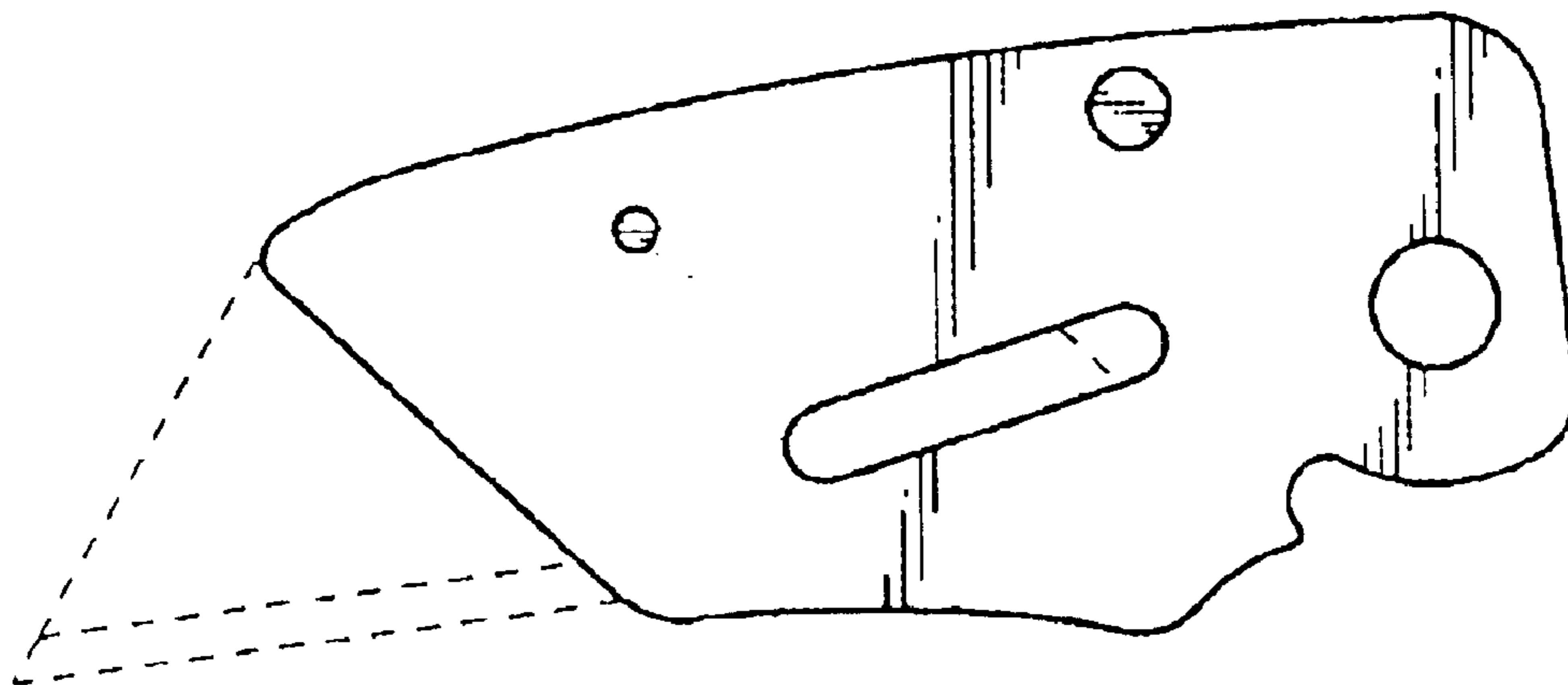


FIG.5

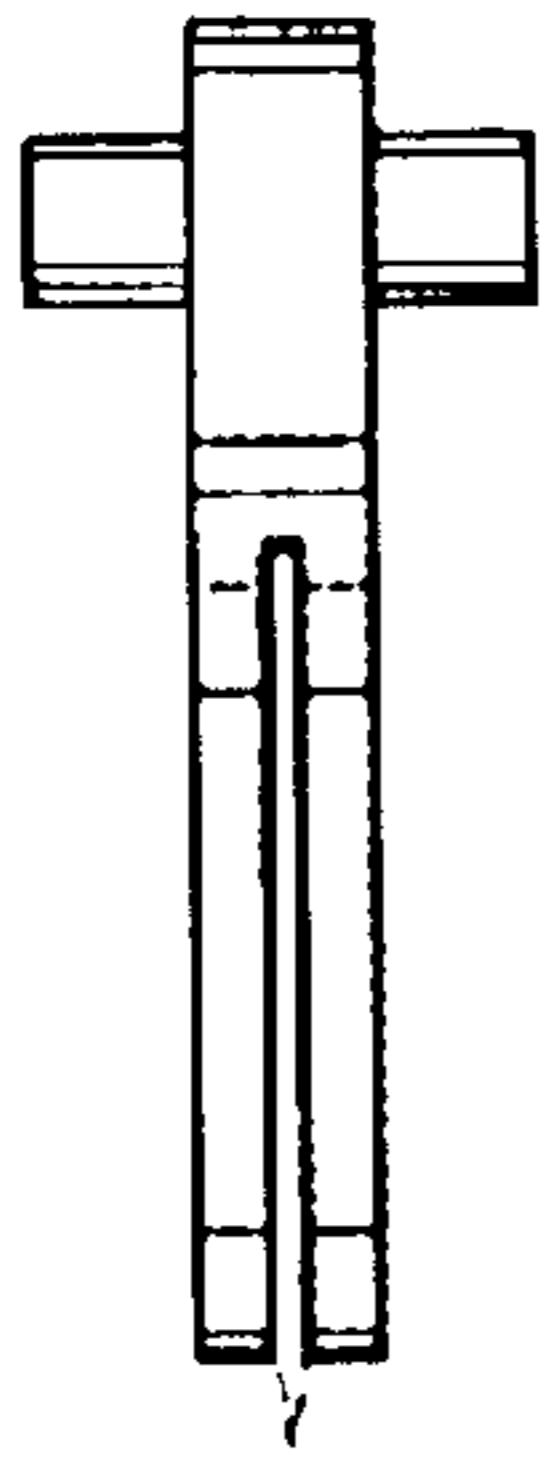


FIG. 6

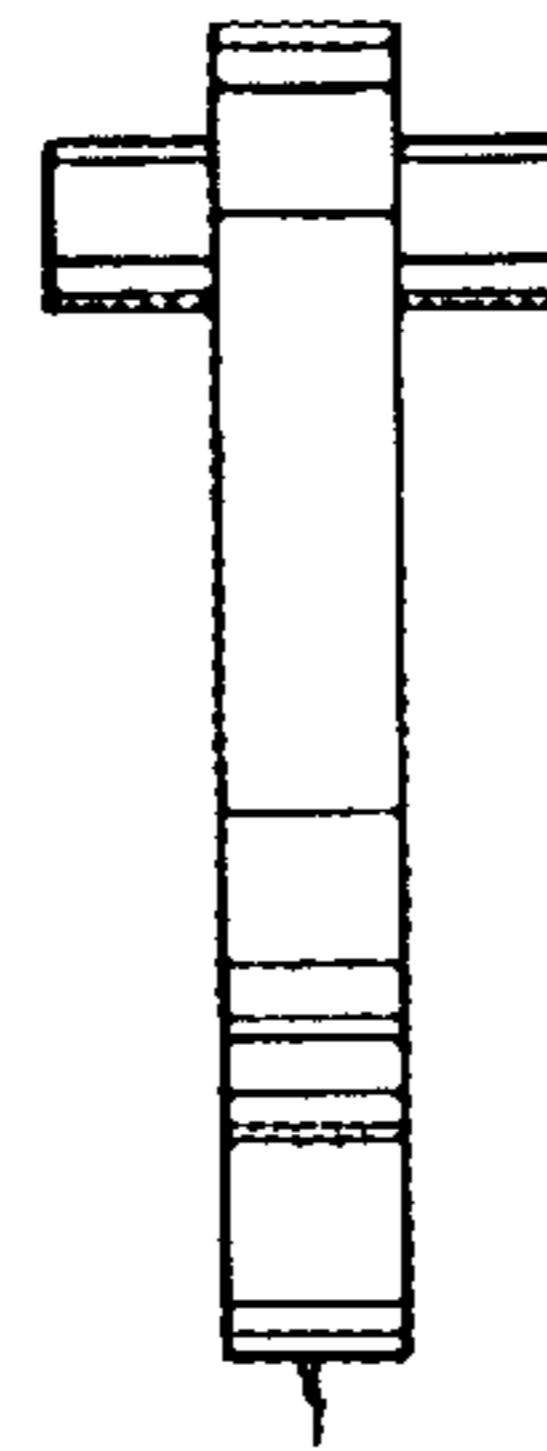


FIG. 7

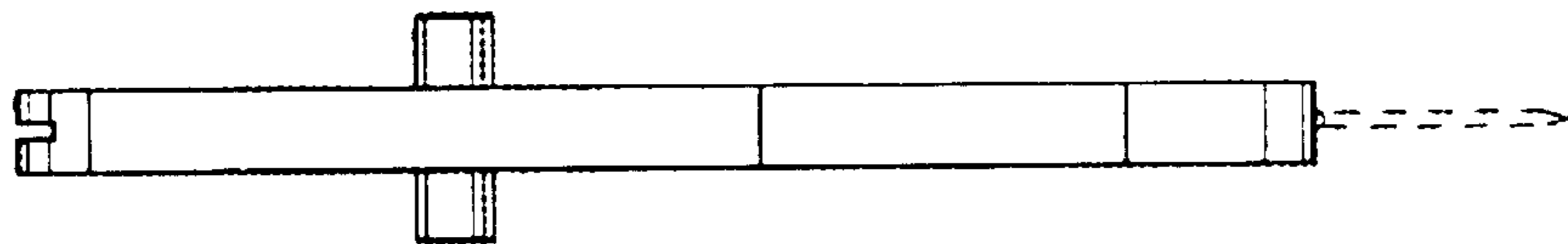


FIG. 8

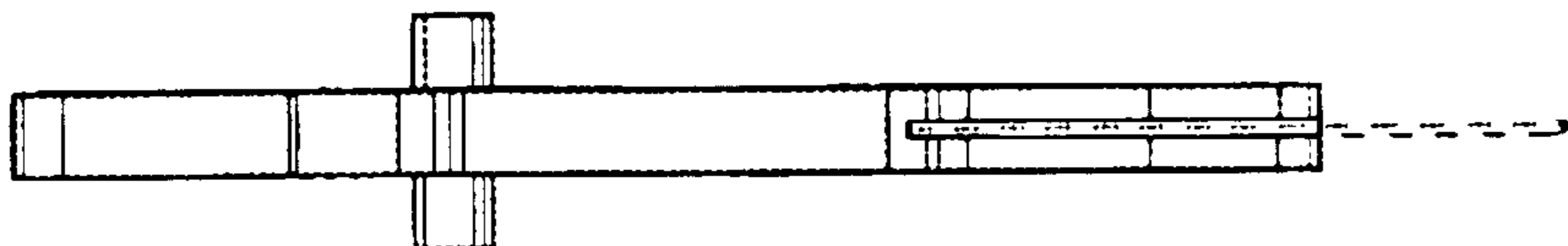


FIG. 9