



US00D495226S1

(12) **United States Design Patent** (10) **Patent No.:** **US D495,226 S**  
**Grant et al.** (45) **Date of Patent:** **\*\* \*Aug. 31, 2004**

(54) **ROUTER BASE**

(75) Inventors: **Jeffrey P. Grant**, Forest Hill, MD (US); **John K. Horky**, Lutherville, MD (US); **Daniel N. Lopano**, Baltimore, MD (US); **Robert P. Welsh**, Hunt Valley, MD (US)

5,368,424 A 11/1994 Bettenhausen  
D364,790 S 12/1995 Duennes  
5,570,776 A \* 11/1996 Buchholz et al. .... 200/43.17  
5,740,847 A 4/1998 Lakso  
5,853,273 A \* 12/1998 Coffey ..... 409/182  
5,909,987 A \* 6/1999 Coffey et al. .... 409/131  
D444,364 S \* 7/2001 Evans ..... D8/67  
6,261,036 B1 \* 7/2001 Bosten et al. .... 409/182

(73) Assignee: **Black & Decker Inc.**, Newark, DE (US)

**FOREIGN PATENT DOCUMENTS**

(\*) Notice: This patent is subject to a terminal disclaimer.

DE 1628945 4/1977  
DE 3940910 6/1991  
EP 0936033 8/1999  
EP 1010497 6/2000  
GB 2196571 5/1988

(\*\*) Term: **14 Years**

\* cited by examiner

(21) Appl. No.: **29/140,100**

*Primary Examiner*—Doris V. Coles  
*Assistant Examiner*—Elizabeth A. Albert

(22) Filed: **Apr. 12, 2001**

(74) *Attorney, Agent, or Firm*—Michael P. Leary; Bruce S. Shapiro

(51) **LOC (7) Cl.** ..... **08-01**

(52) **U.S. Cl.** ..... **D8/61**

(58) **Field of Search** ..... D8/61, 62, 63, D8/64, 67, 68, 69, 98, DIG. 2; D15/122, 127, 142; 408/199; 409/180, 181, 182; 144/134.1, 135.2, 136.1, 154.5

(57) **CLAIM**

The ornamental design for a router base, as shown and described.

**DESCRIPTION**

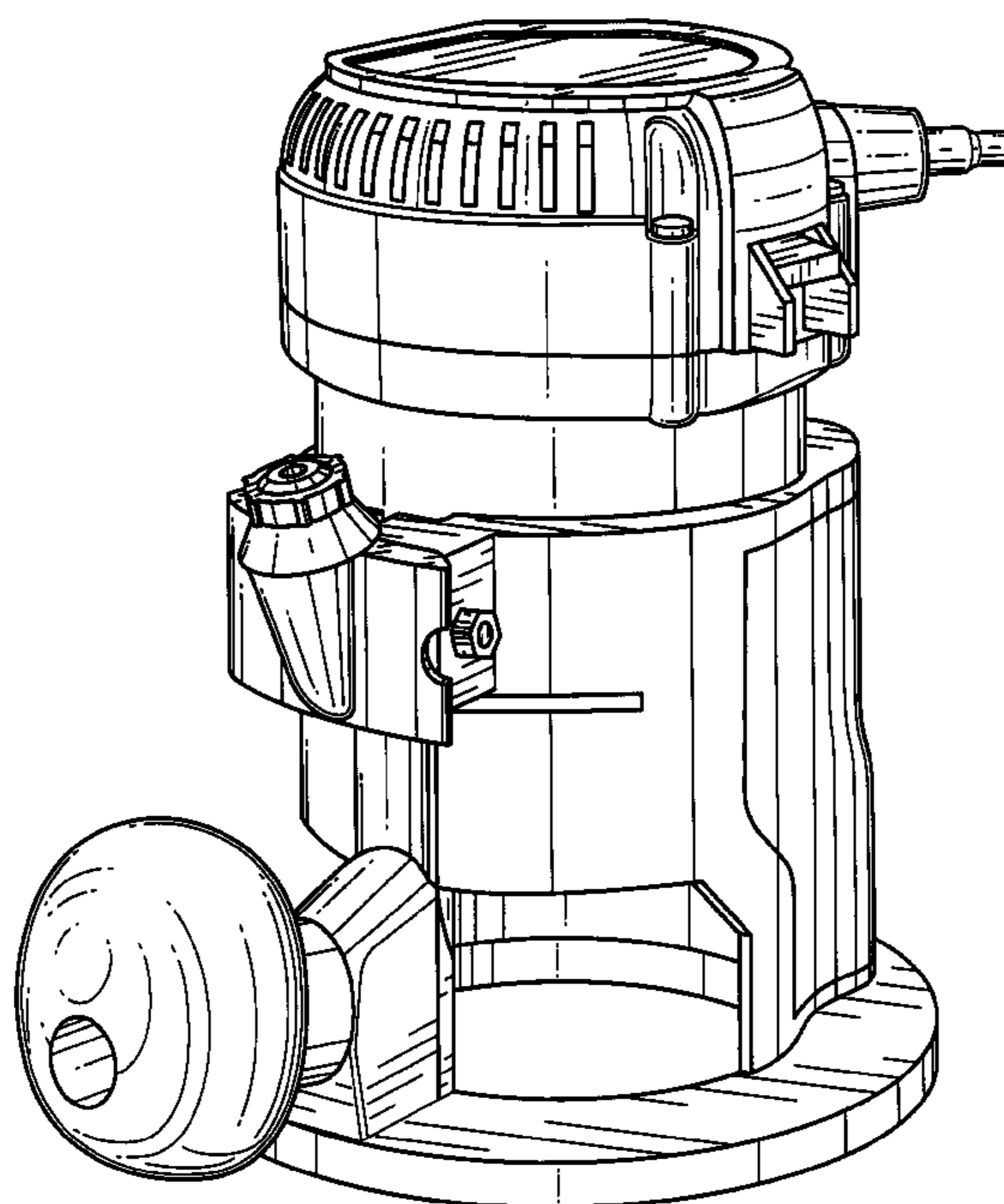
FIG. 1 is a front perspective view of a router base showing our new design; FIG. 2 is a left side elevational view; FIG. 3 is a right side elevational view; FIG. 4 is a rear elevational view; FIG. 5 is a front side elevational; and, FIG. 6 is a top plan view.

(56) **References Cited**

**U.S. PATENT DOCUMENTS**

D103,977 S 4/1937 Myers  
D213,761 S 4/1969 Lee  
4,566,830 A 1/1986 Maier et al.  
D283,590 S \* 4/1986 Ibaraki ..... D8/62  
5,005,617 A 4/1991 Michaels  
5,013,196 A 5/1991 Friegang  
5,188,492 A \* 2/1993 McCracken ..... 409/182

**1 Claim, 6 Drawing Sheets**



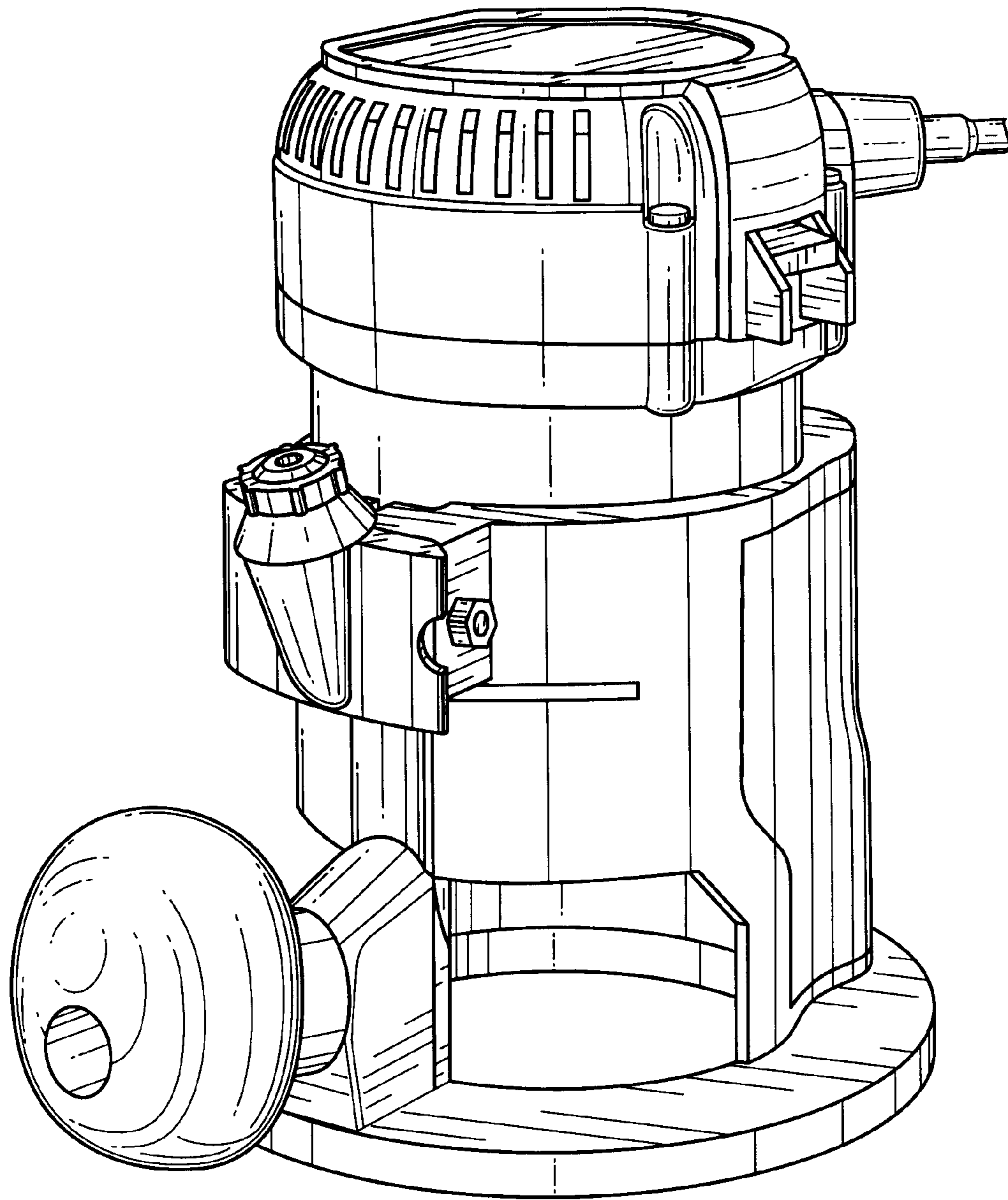


FIG. 1

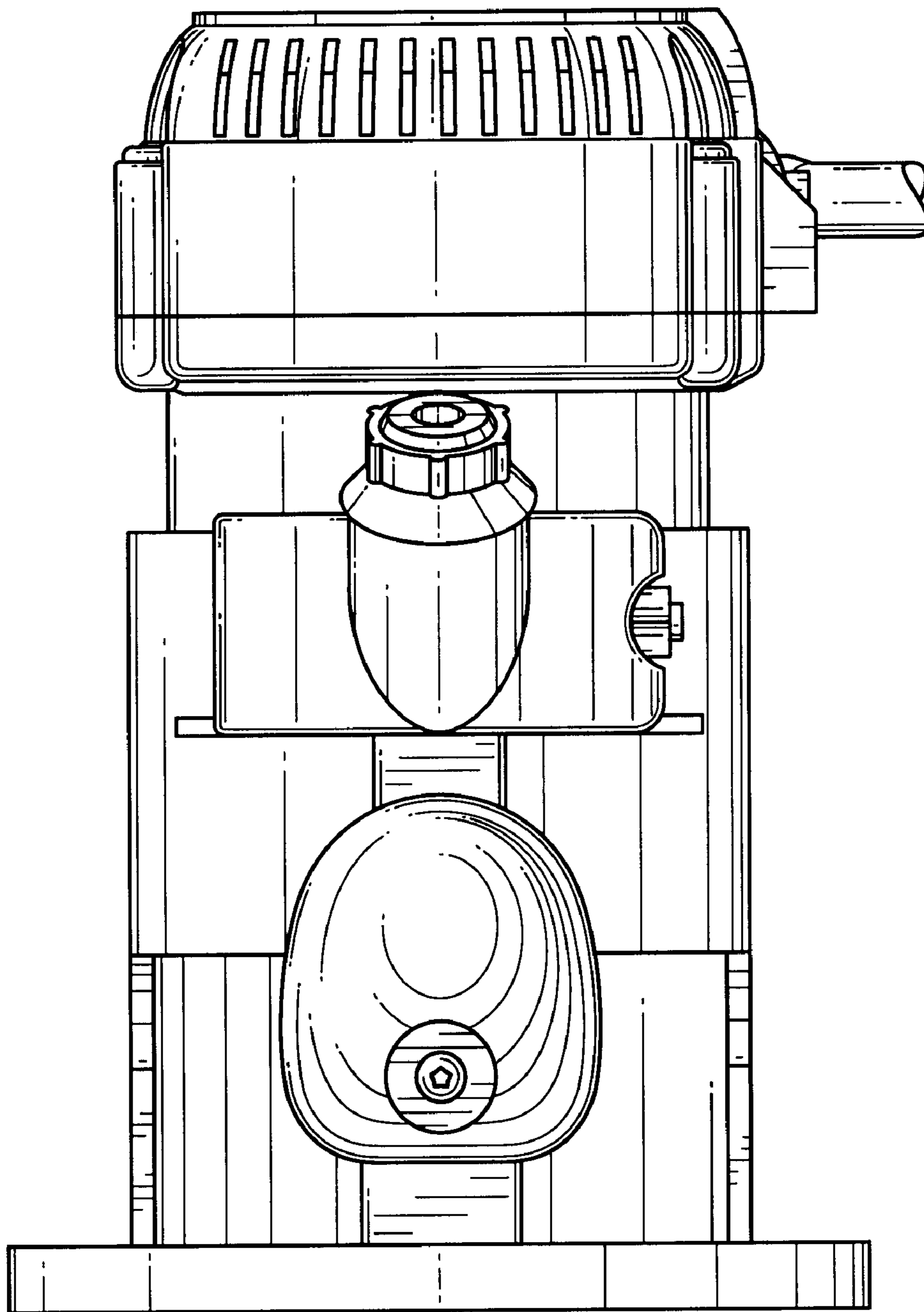


FIG. 2

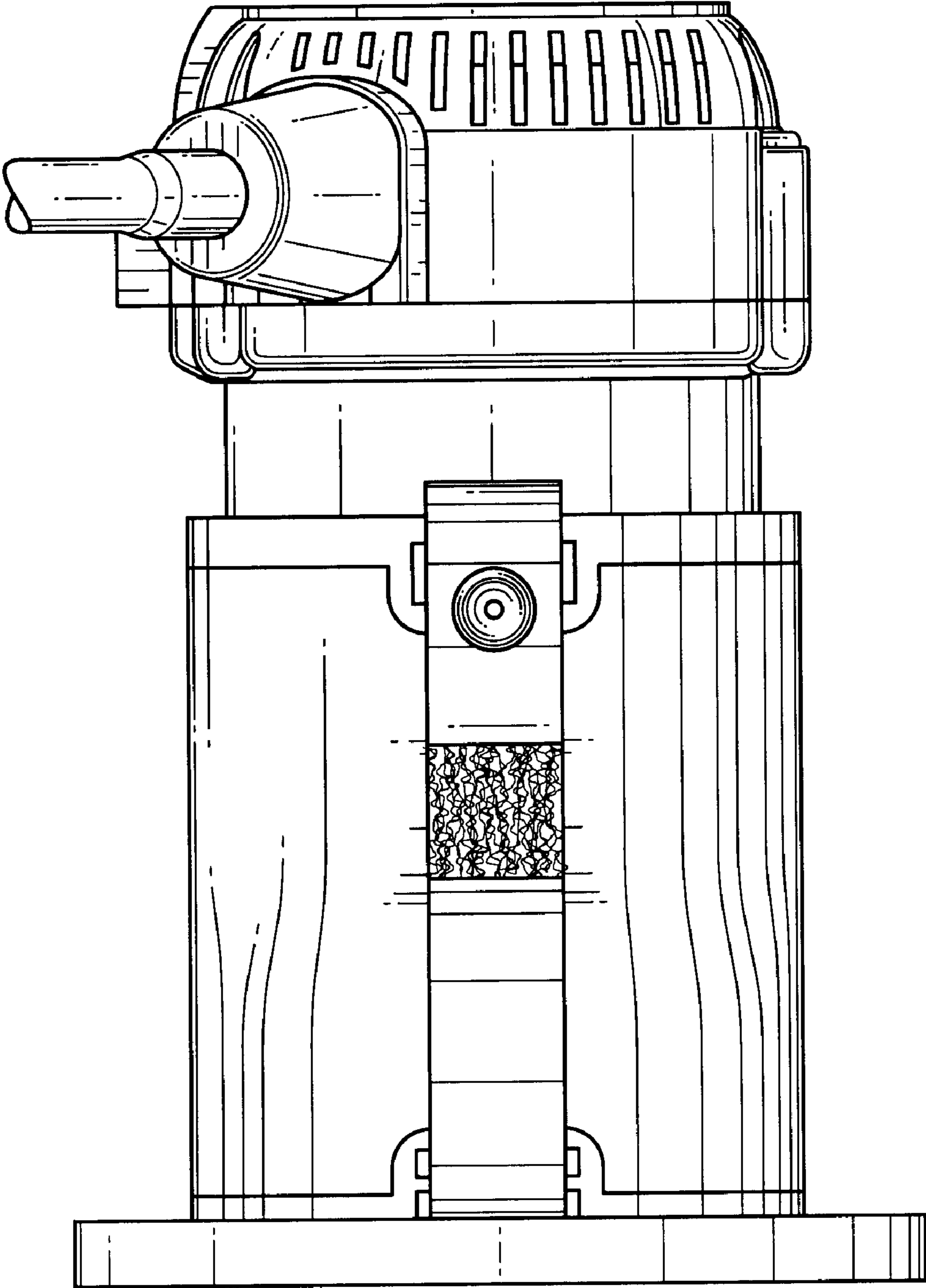


FIG. 3

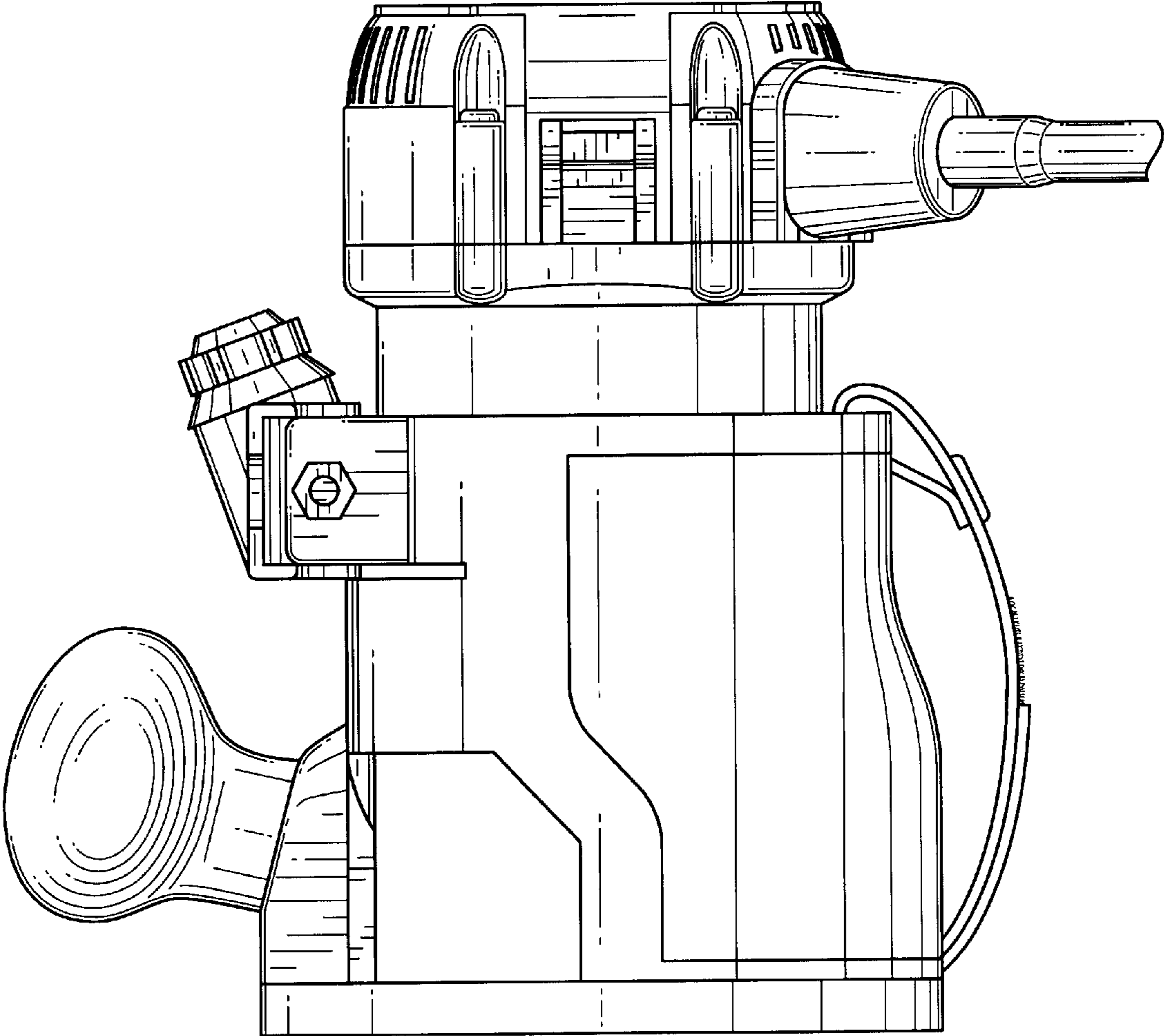


FIG. 4

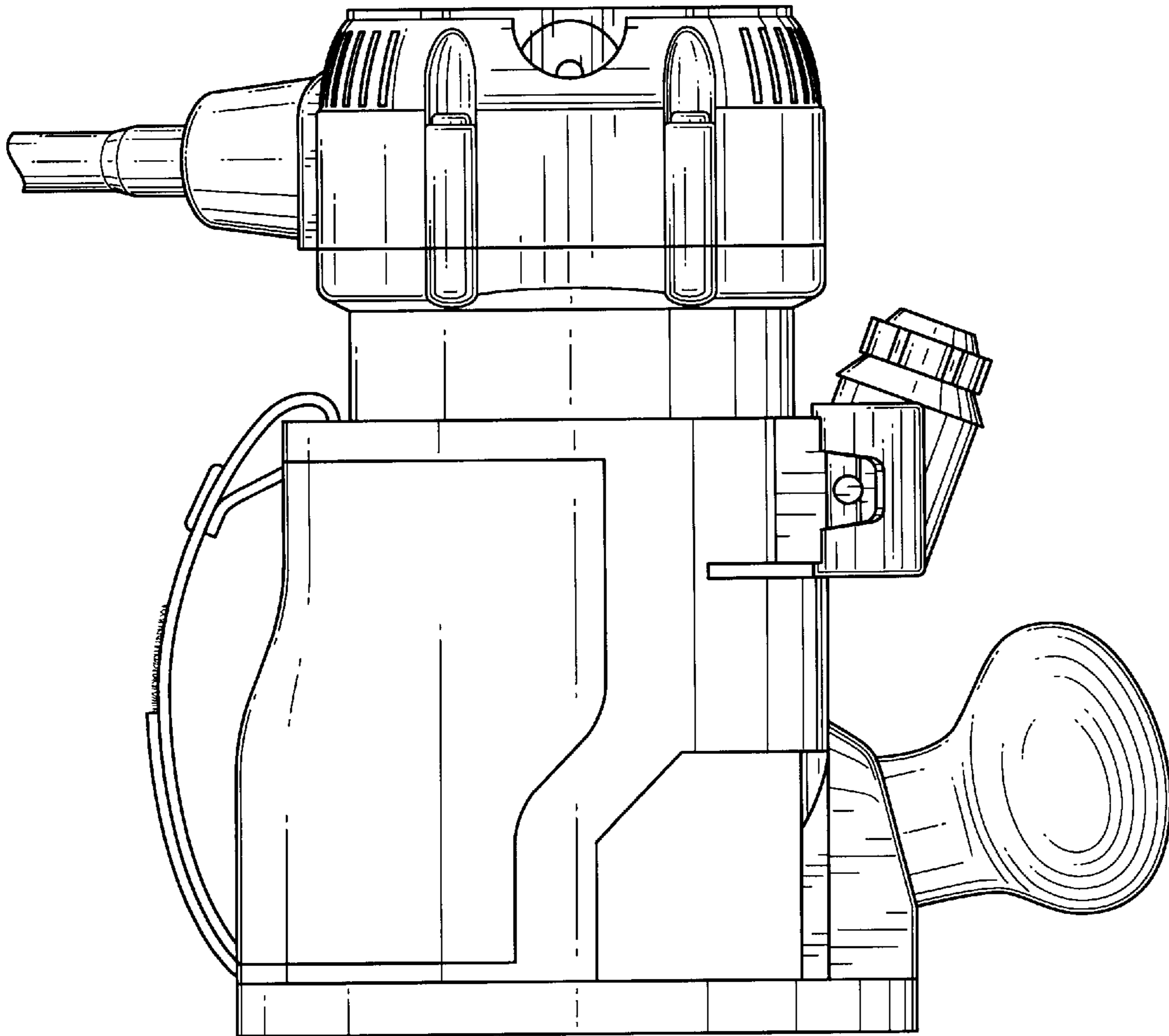


FIG. 5

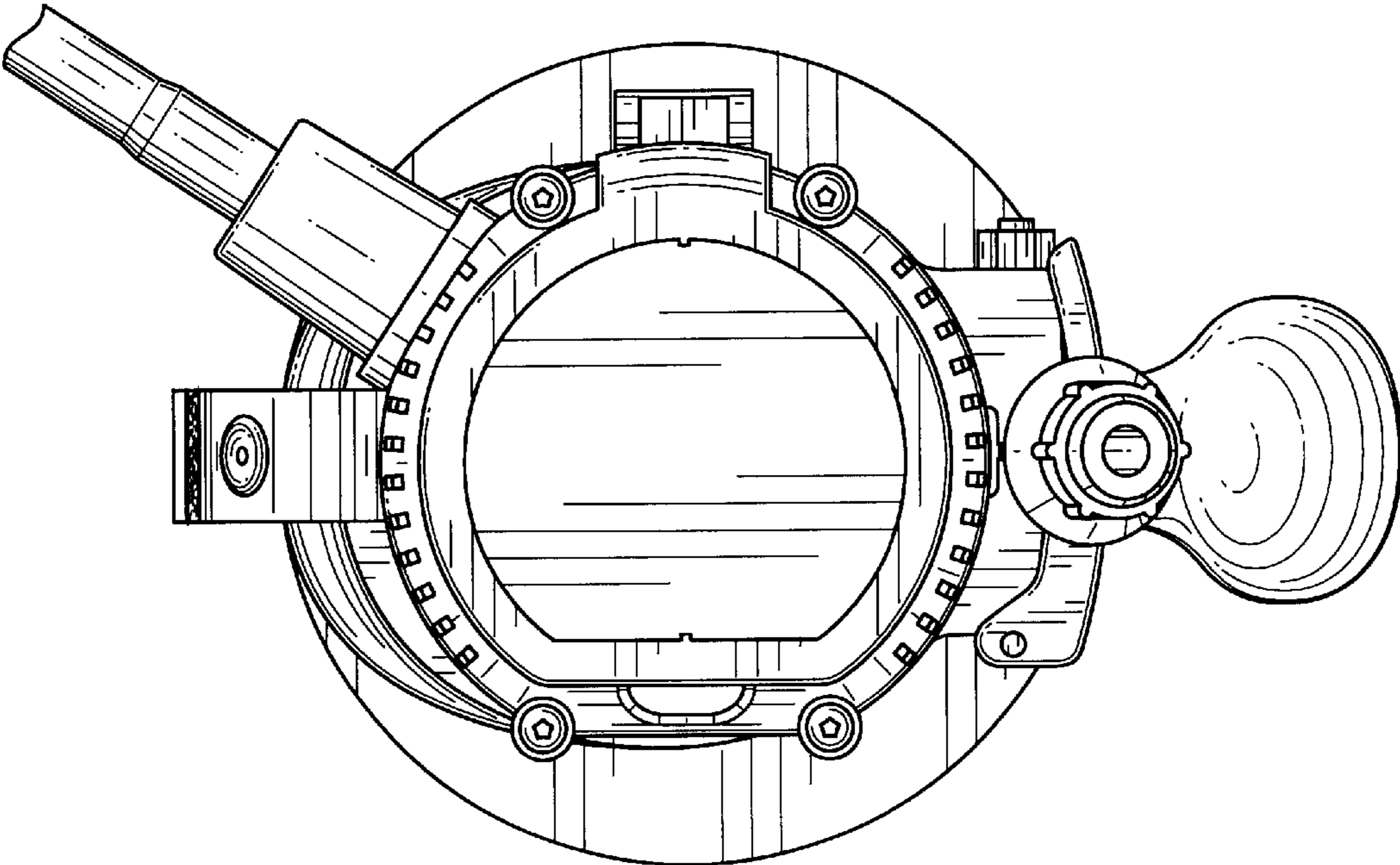


FIG. 6